



US00D407046S

United States Patent [19]

Aros et al.

[11] **Patent Number: Des. 407,046**

[45] **Date of Patent: **Mar. 23, 1999**

[54] **DUAL WHEEL TRUCK BODY**

5,035,462 7/1991 Page et al. 296/183
5,228,742 7/1993 Johnson et al. 296/191

[75] Inventors: **Carlos Joaquin Aros; Sylvan S. Thronson Aros**, both of Bellflower, Calif.

Primary Examiner—Melody N. Brown
Attorney, Agent, or Firm—Oppenheimer Wolff & Donnelly LLP

[73] Assignee: **Royal Truck Bodies, Inc.**, Paramount, Calif.

[57] **CLAIM**

[**] Term: **14 Years**

The ornamental design for a dual wheel truck body, as shown and described.

[21] Appl. No.: **88,655**

DESCRIPTION

[22] Filed: **May 29, 1998**

FIG. 1 is a rear perspective view of a dual wheel truck body showing our new design;

[51] **LOC (6) Cl.** **12-08**

FIG. 2 is a front perspective view thereof;

[52] **U.S. Cl.** **D12/98**

FIG. 3 is a side elevational view thereof, the opposite side being a mirror image of that shown;

[58] **Field of Search** D12/98, 96, 93, D12/14; 296/24.1, 37.6, 183, 191

FIG. 4 is an end view thereof;

FIG. 5 is a top plan view thereof;

[56] **References Cited**

U.S. PATENT DOCUMENTS

D. 313,379	1/1991	Machida et al.	D12/98
D. 346,571	5/1994	Lewellen et al.	D12/98
D. 352,485	11/1994	Creed et al.	D12/98
D. 372,211	7/1996	Hunter et al.	D12/98
D. 373,979	9/1996	Starr et al.	D12/98
D. 382,232	8/1997	Hines et al.	D12/98
D. 385,224	10/1997	Aros et al.	D12/98

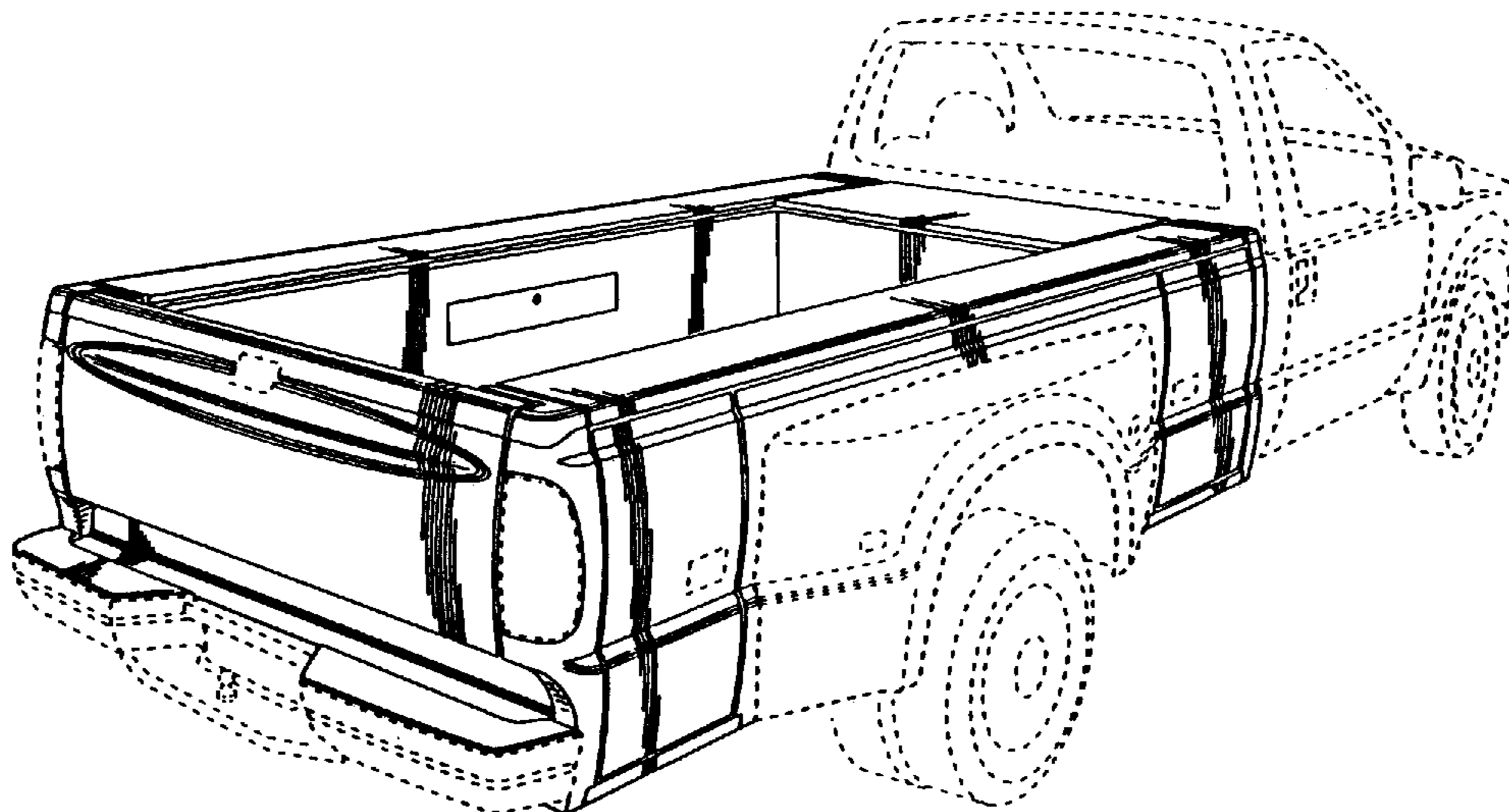
FIG. 6 is a rear perspective view of a second embodiment of a dual wheel truck body showing our new design;

FIG. 7 is a front perspective view of the dual wheel truck body of FIG. 6;

FIG. 8 is a side elevational view of the dual wheel truck body of FIG. 6; and,

FIG. 9 is a top plan view of the dual wheel truck body of FIG. 6.

1 Claim, 9 Drawing Sheets



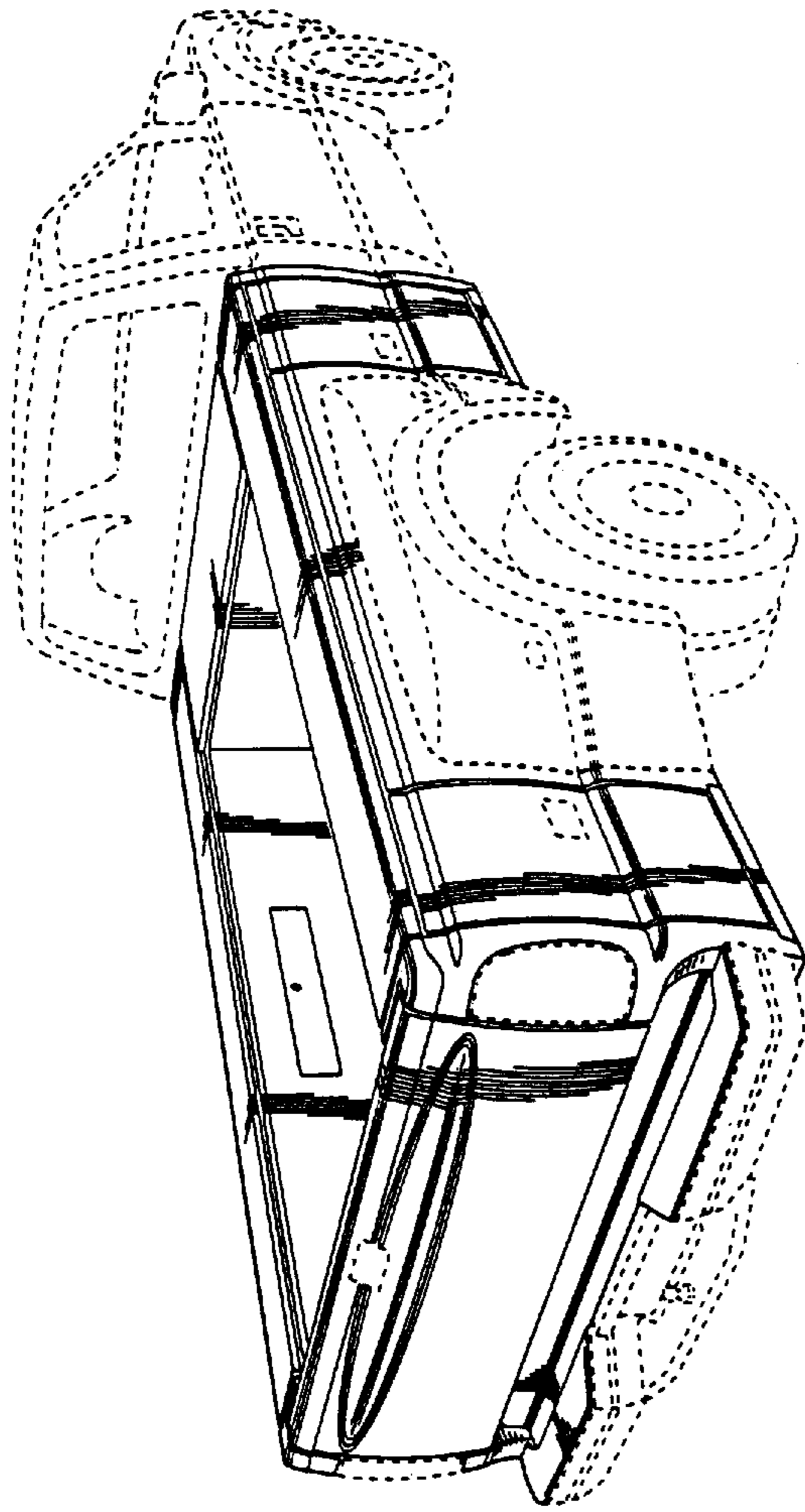


FIGURE 1

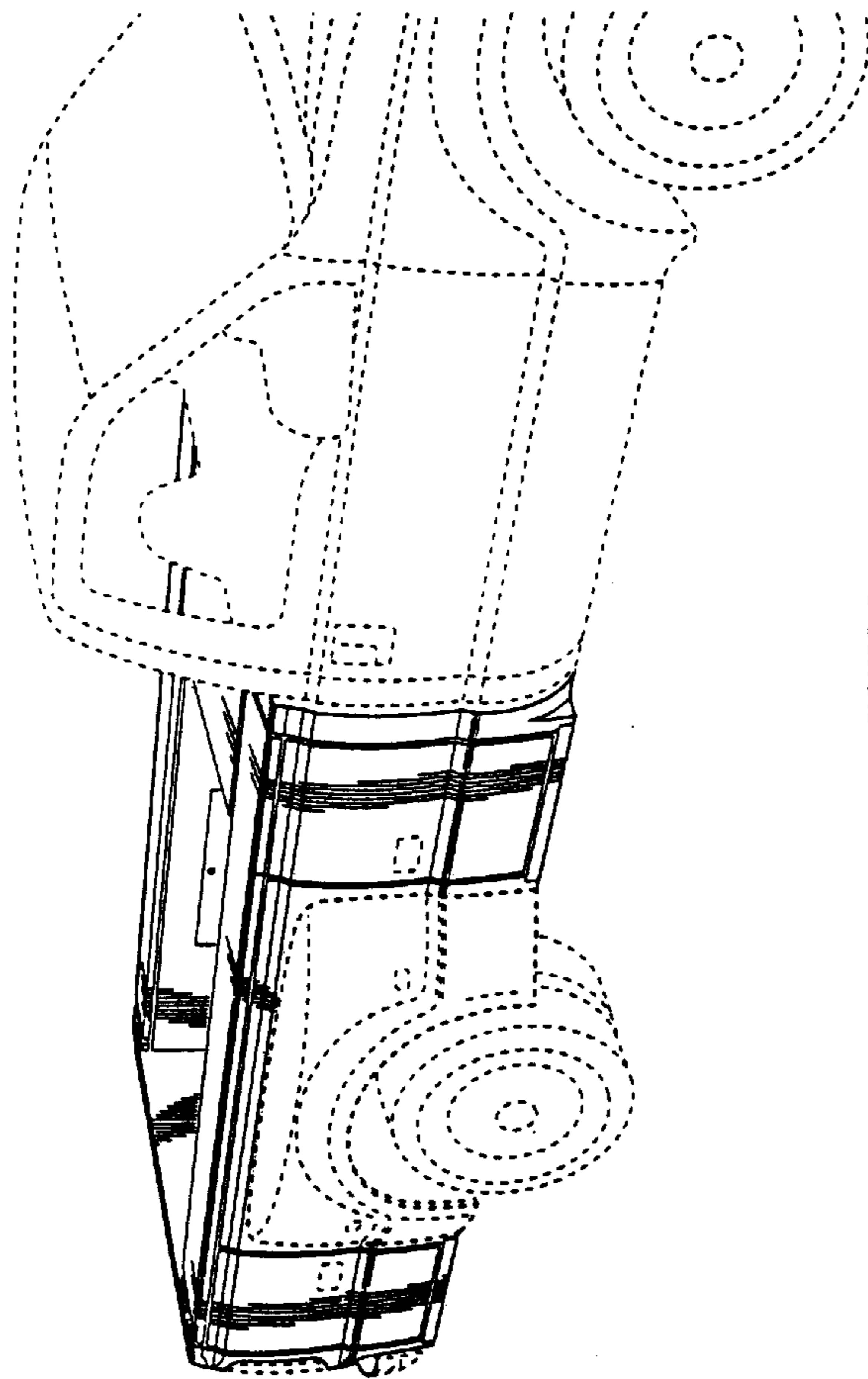


FIGURE 2

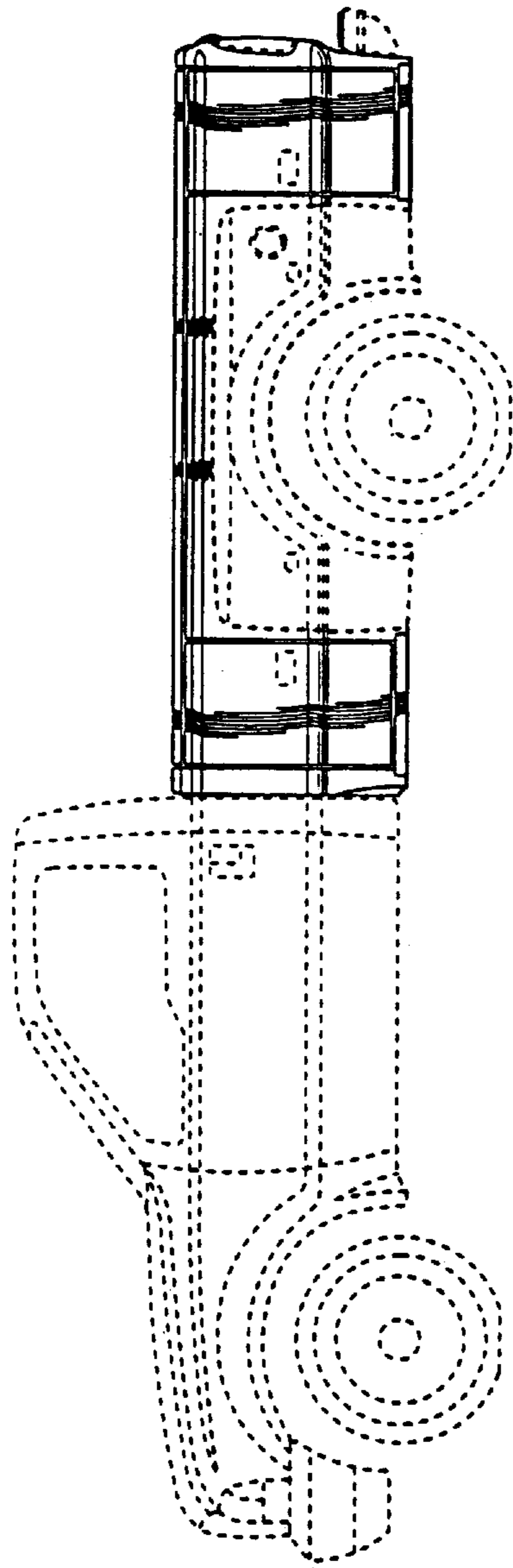


FIGURE 3

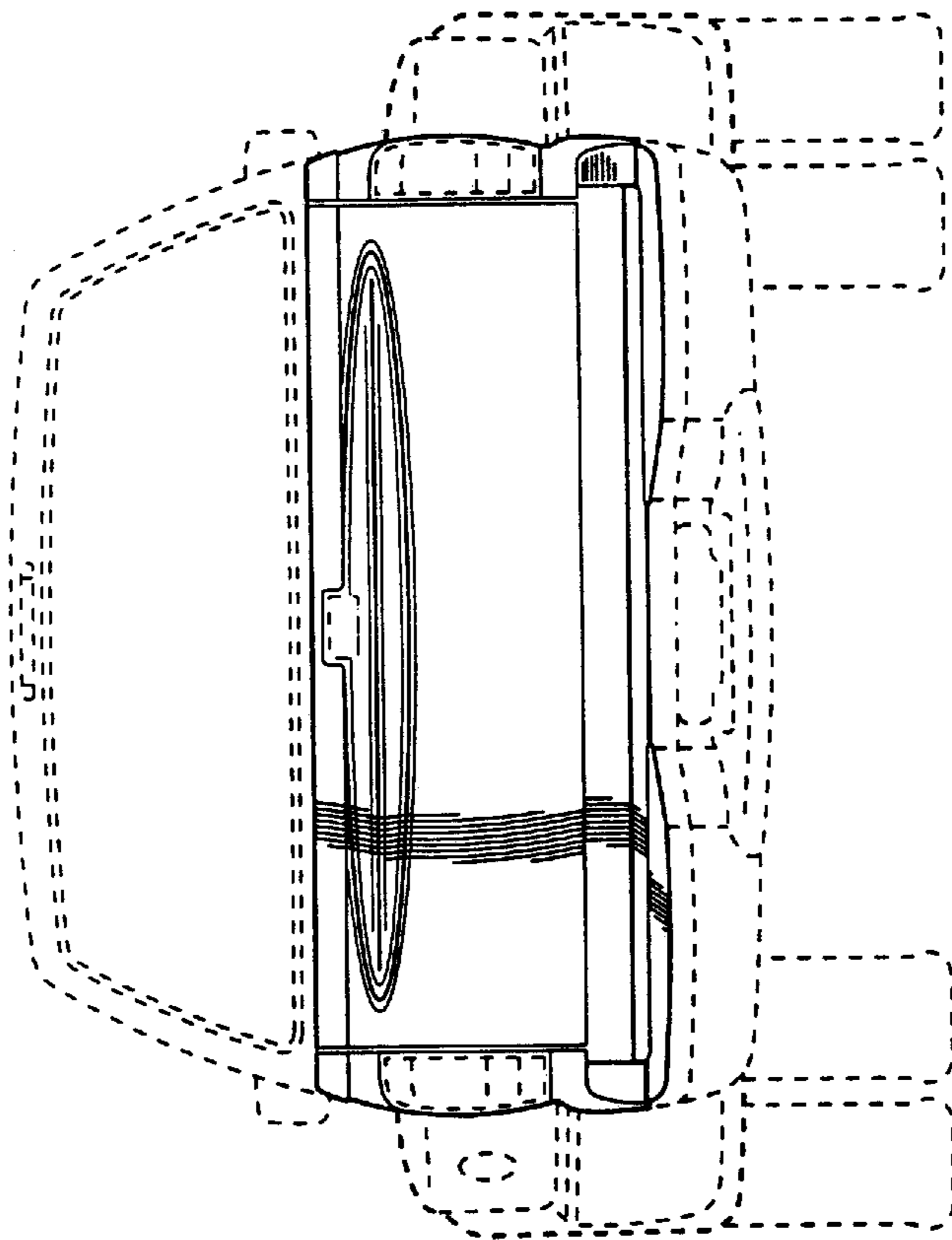


FIGURE 4

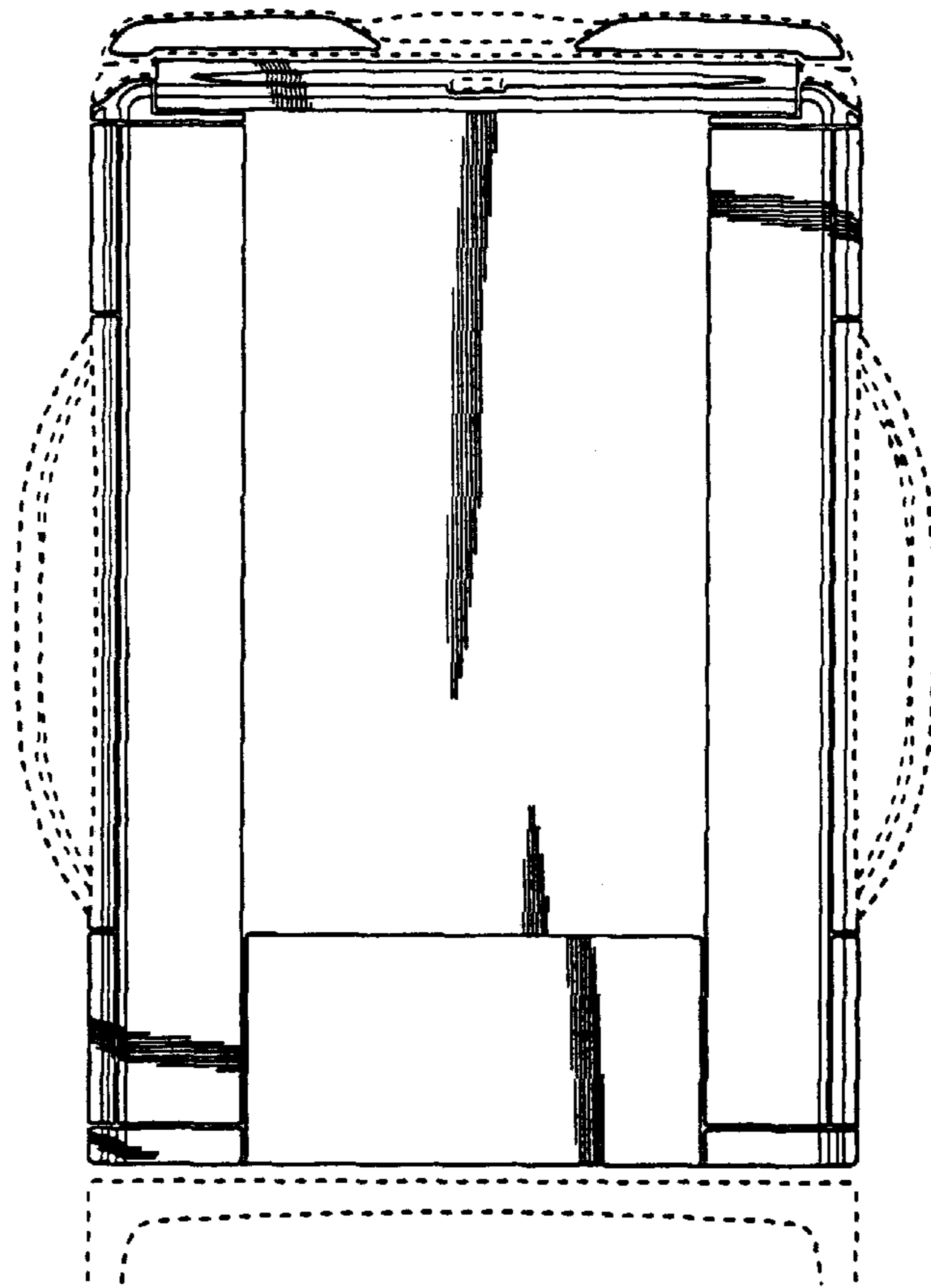


FIGURE 5

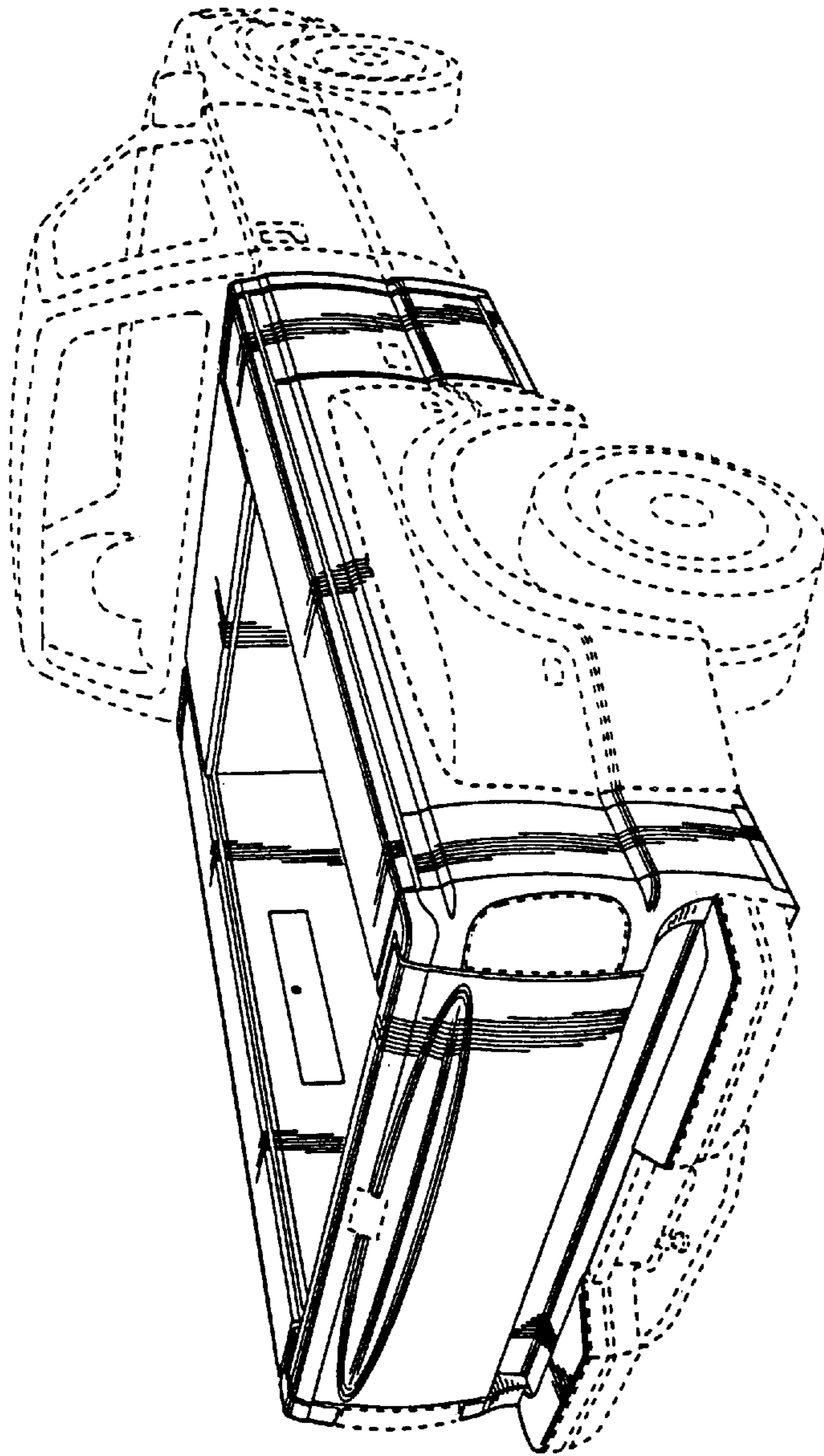


FIGURE 6

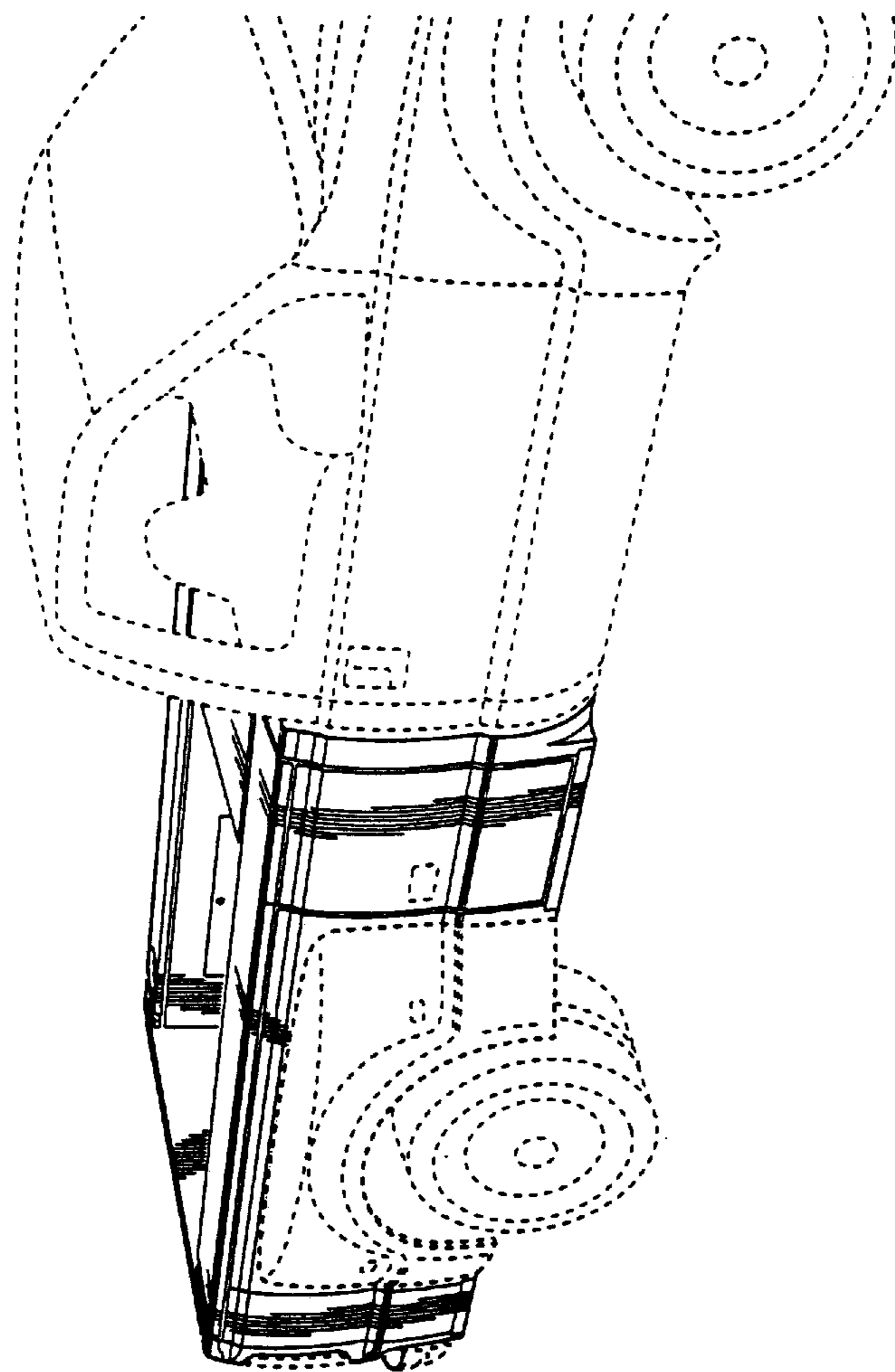


FIGURE 7

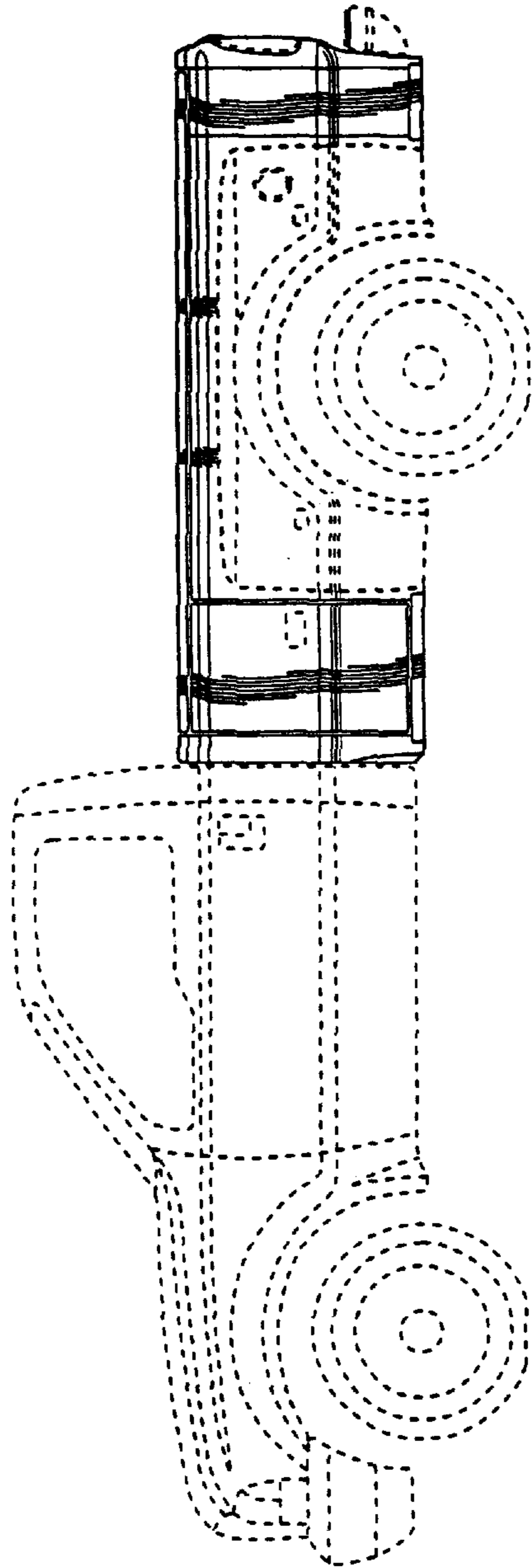


FIGURE 8

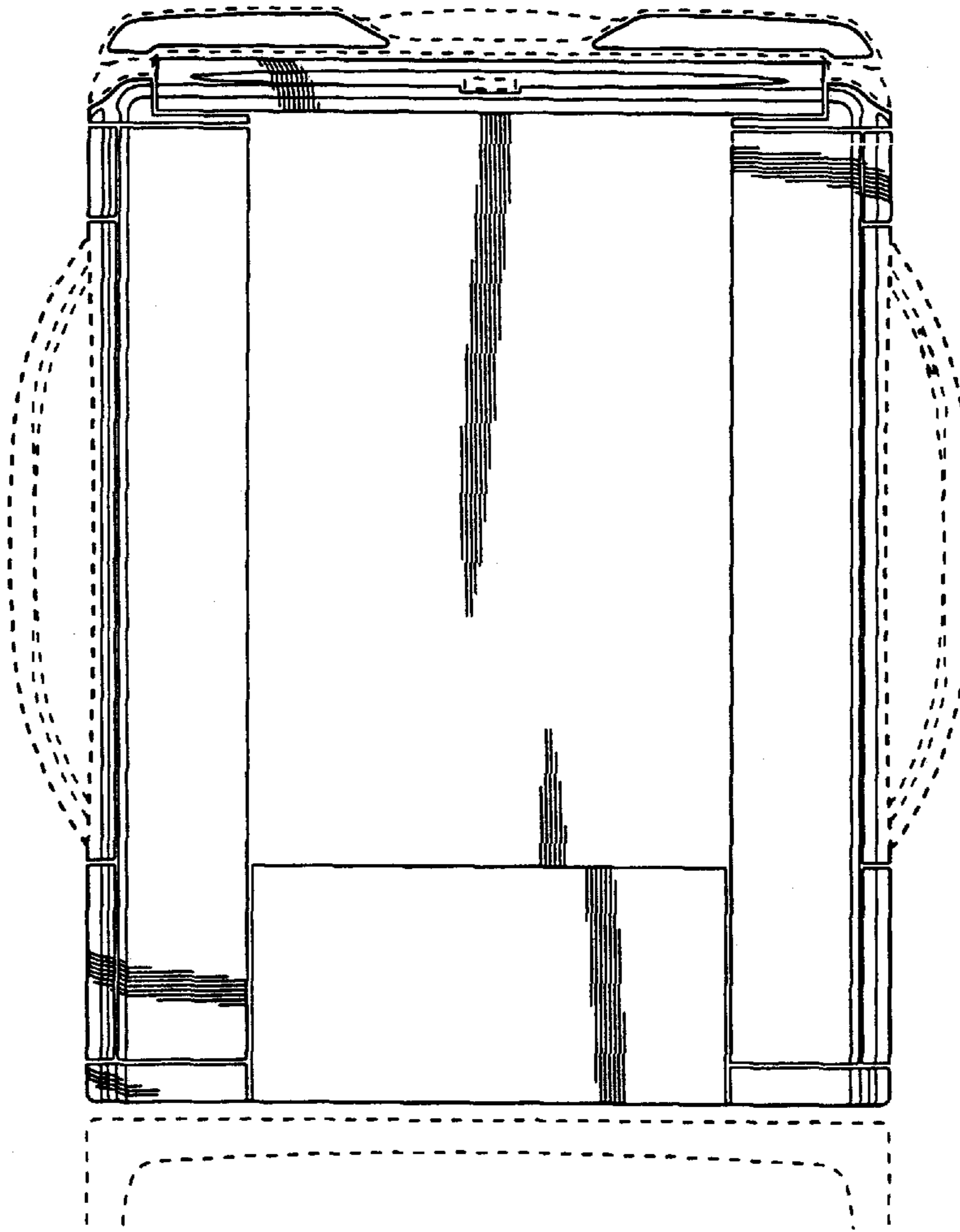


FIGURE 9