



US00D407045S

# United States Patent [19]

Aros et al.

[11] **Patent Number: Des. 407,045**

[45] **Date of Patent: \*\*Mar. 23, 1999**

[54] **TRUCK BODY**

5,228,742 7/1993 Johnson ..... 296/191

[75] Inventors: **Carlos Joaquin Aros; Sylvan S. Thronson Aros**, both of Bellflower, Calif.

*Primary Examiner*—Melody N. Brown  
*Attorney, Agent, or Firm*—Oppenheimer Wolff & Donnelly LLP

[73] Assignee: **Royal Truck Bodies, Inc.**, Paramount, Calif.

### [57] CLAIM

[\*\*] Term: **14 Years**

The ornamental design for a truck body, as shown and described.

[21] Appl. No.: **83,066**

[22] Filed: **Feb. 4, 1998**

[51] **LOC (6) Cl.** ..... **12-08**

[52] **U.S. Cl.** ..... **D12/98**

[58] **Field of Search** ..... D12/98, 96, 14, D12/196; 296/183, 191, 24.1, 37.6, 37.1

### DESCRIPTION

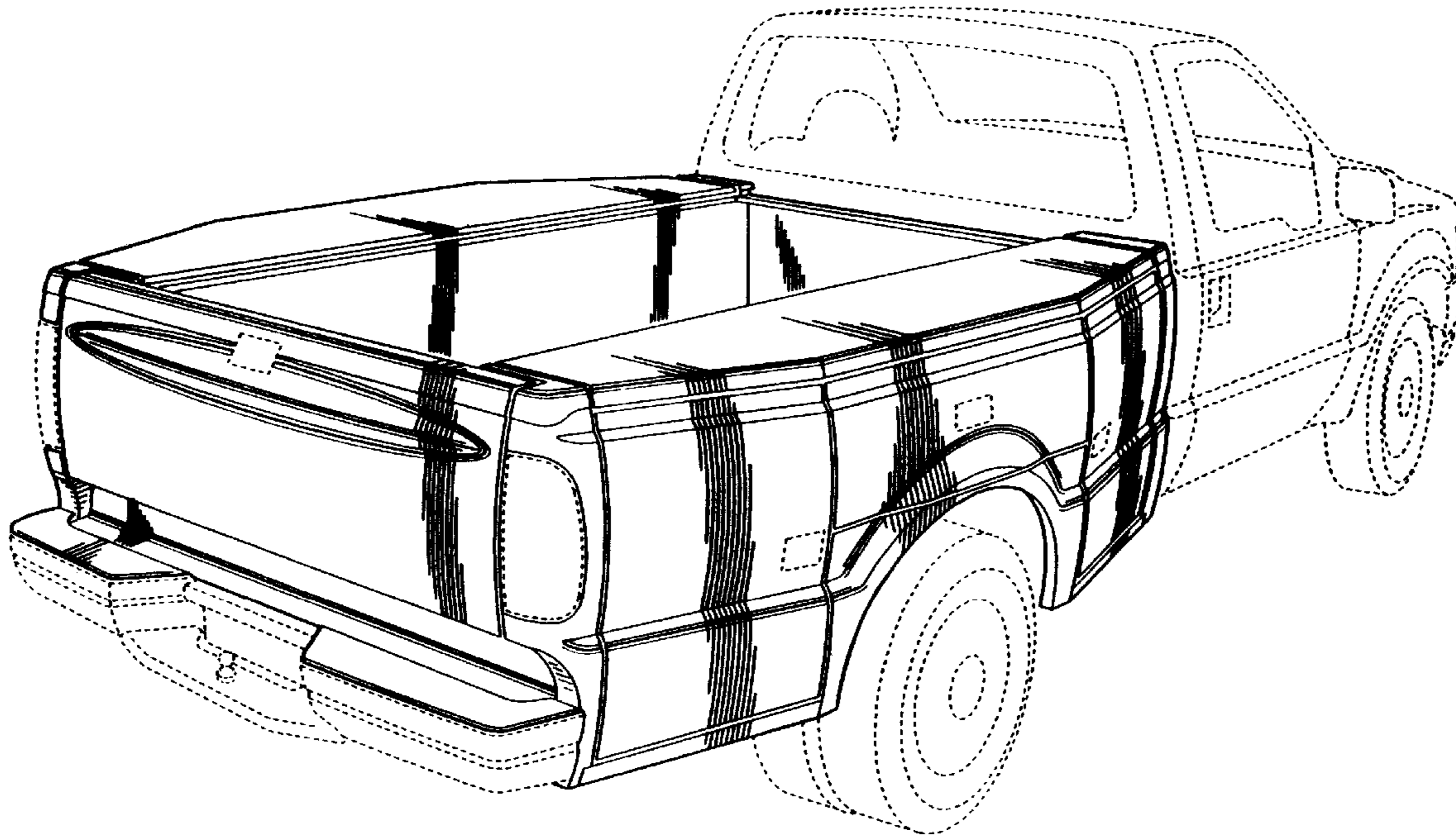
### [56] References Cited

#### U.S. PATENT DOCUMENTS

D. 262,615	1/1982	Thompson	.....	D12/181
D. 346,571	5/1994	Lewellen et al.	.....	D12/98
D. 352,485	11/1994	Creed et al.	.....	D12/98
D. 372,211	7/1996	Hunter	.....	D12/98
D. 382,232	8/1997	Hines et al.	.....	D12/98
D. 385,224	10/1997	Aros et al.	.....	D12/98

FIG. 1 is a rear perspective view of a truck body showing our new design;  
 FIG. 2 is a front perspective view thereof;  
 FIG. 3 is a side elevational view thereof, the opposite side being a mirror image of that shown;  
 FIG. 4 is an end view thereof;  
 FIG. 5 is a top plan view thereof;  
 FIG. 6 is a rear perspective view of a second embodiment of a truck body showing our new design;  
 FIG. 7 is a front perspective view of the truck body of FIG. 6;  
 FIG. 8 is a top plan view of the truck body of FIG. 6; and,  
 FIG. 9 is an end view of the truck body of FIG. 6 .  
 The broken lines shown in all drawing views are for illustrative purposes only and form no part of the claimed design.

**1 Claim, 9 Drawing Sheets**



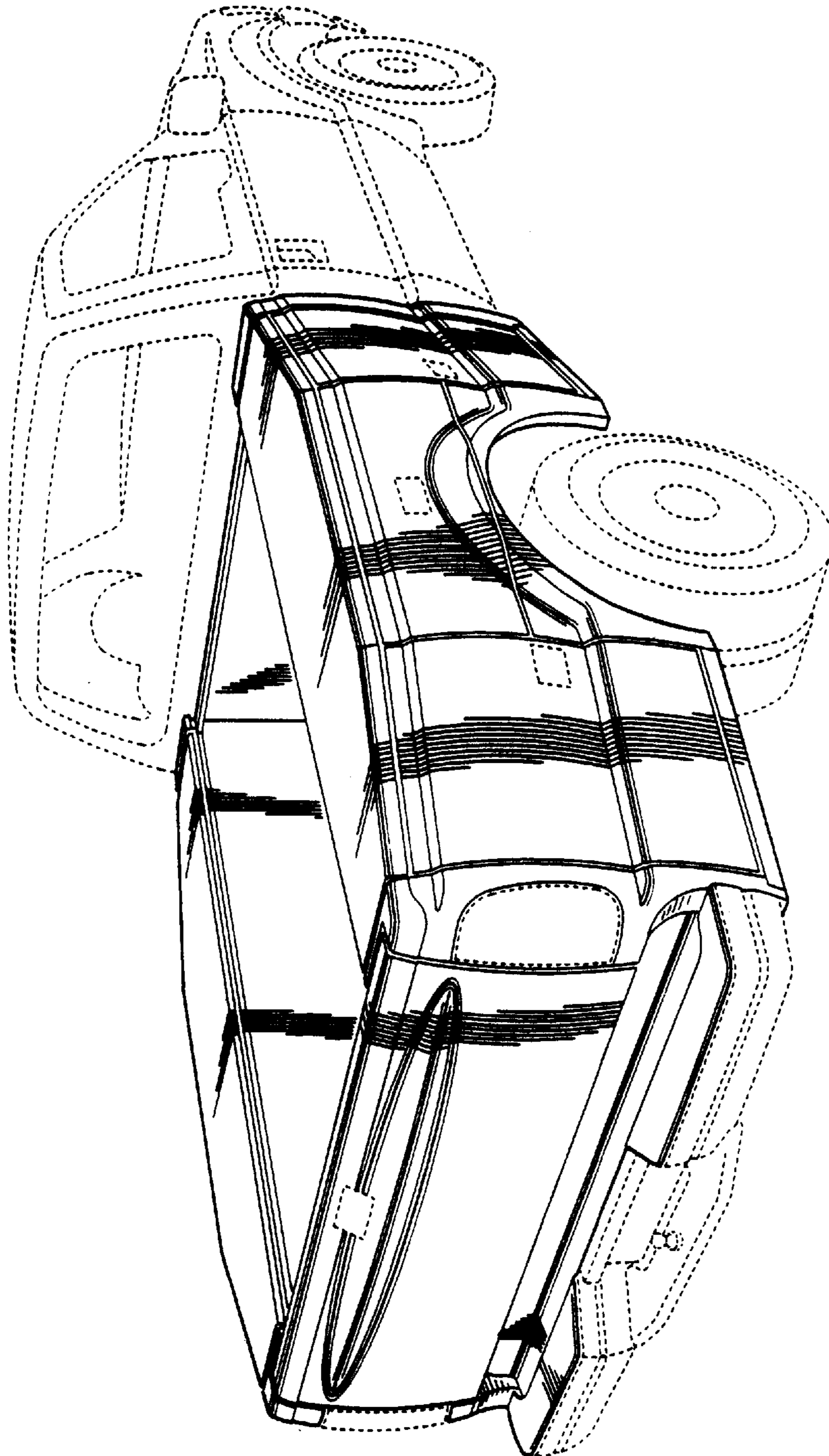


FIGURE 1

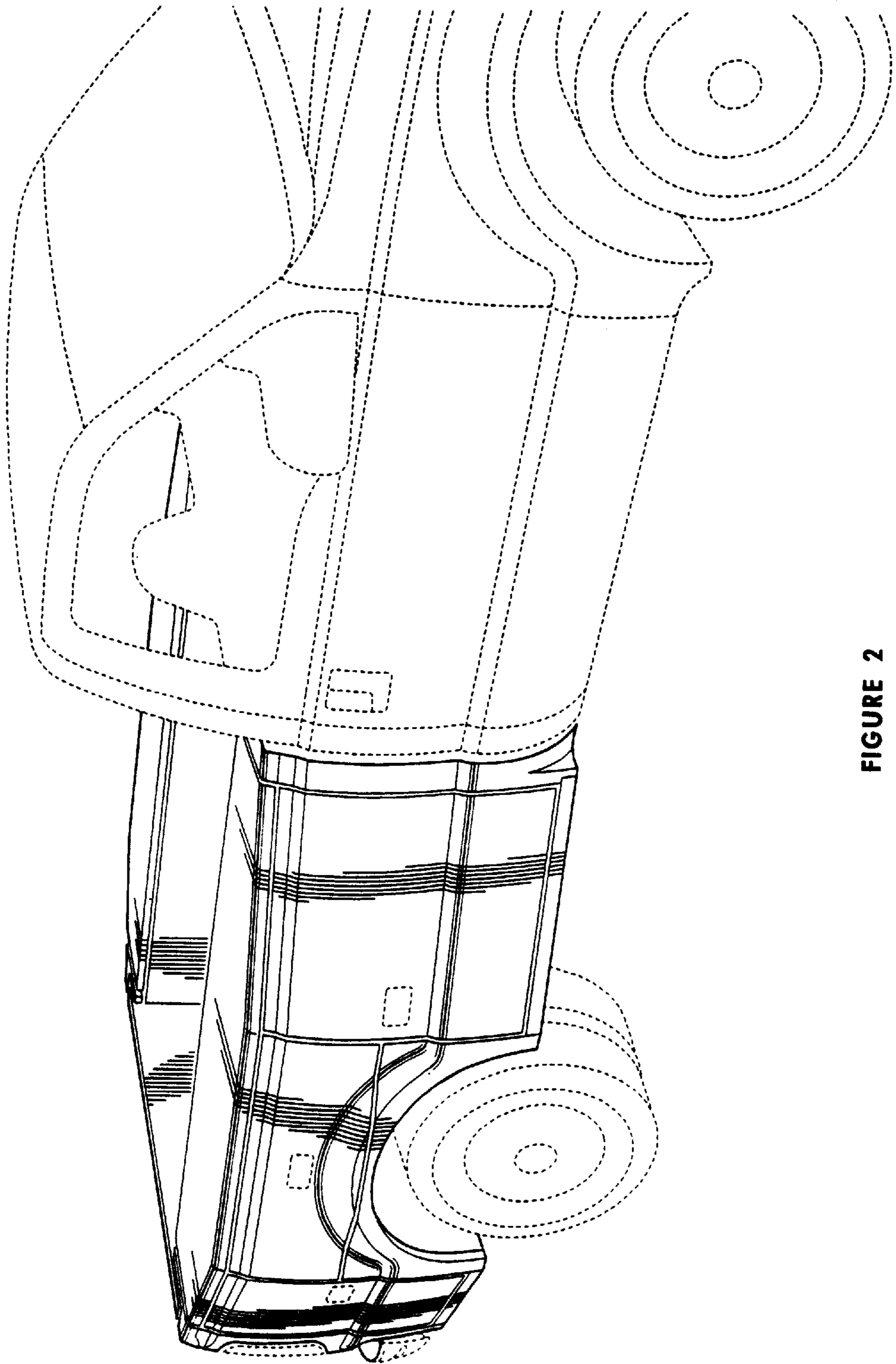


FIGURE 2

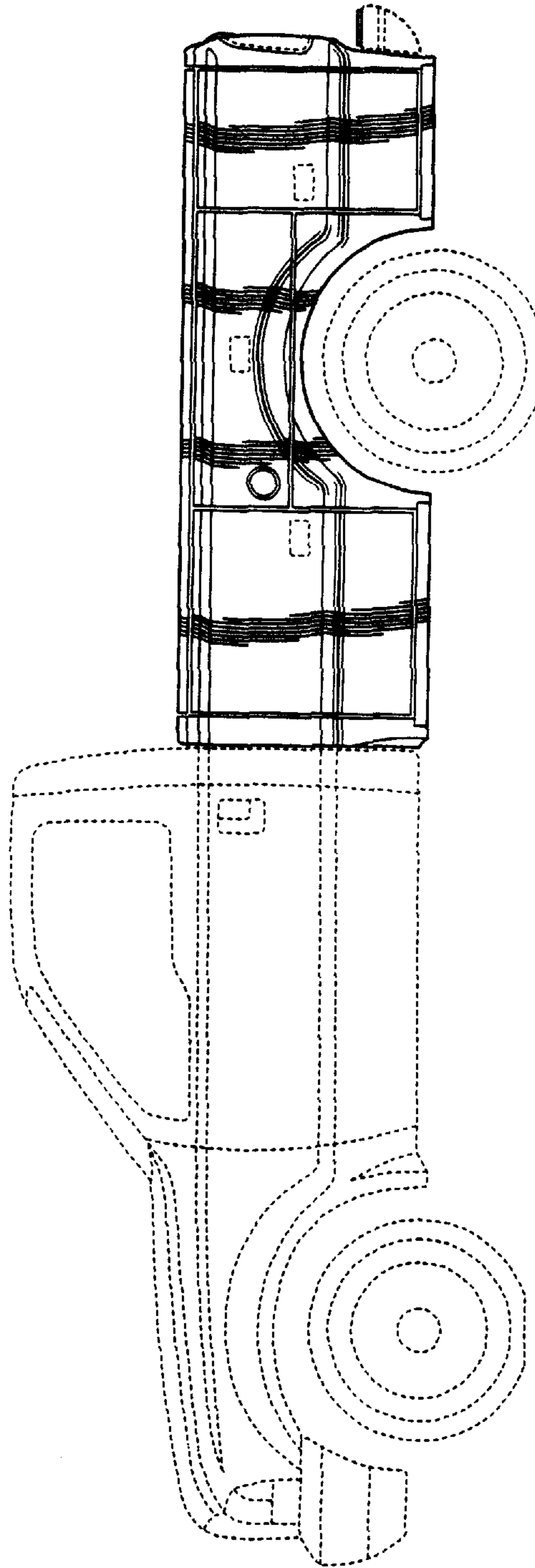


FIGURE 3



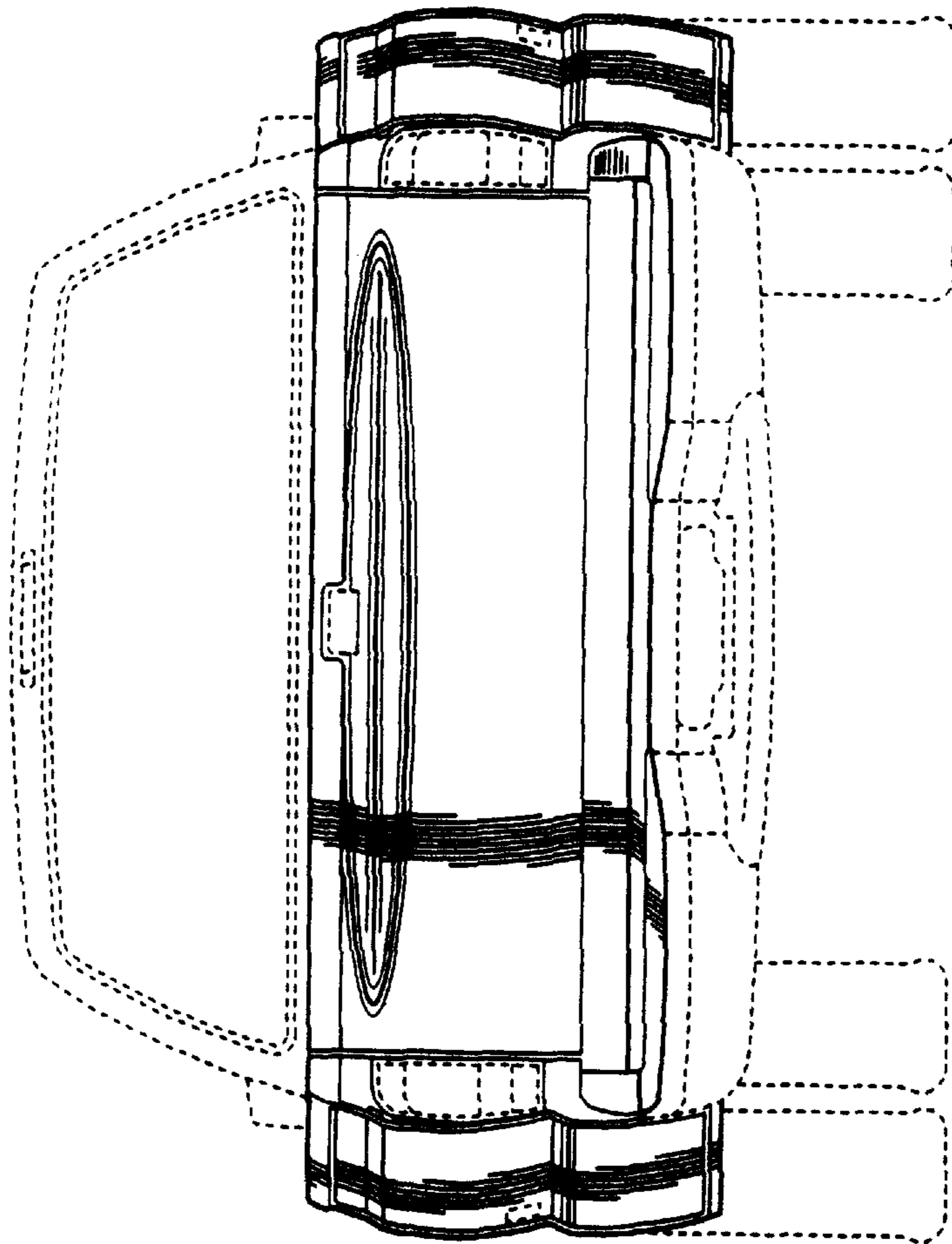


FIGURE 4

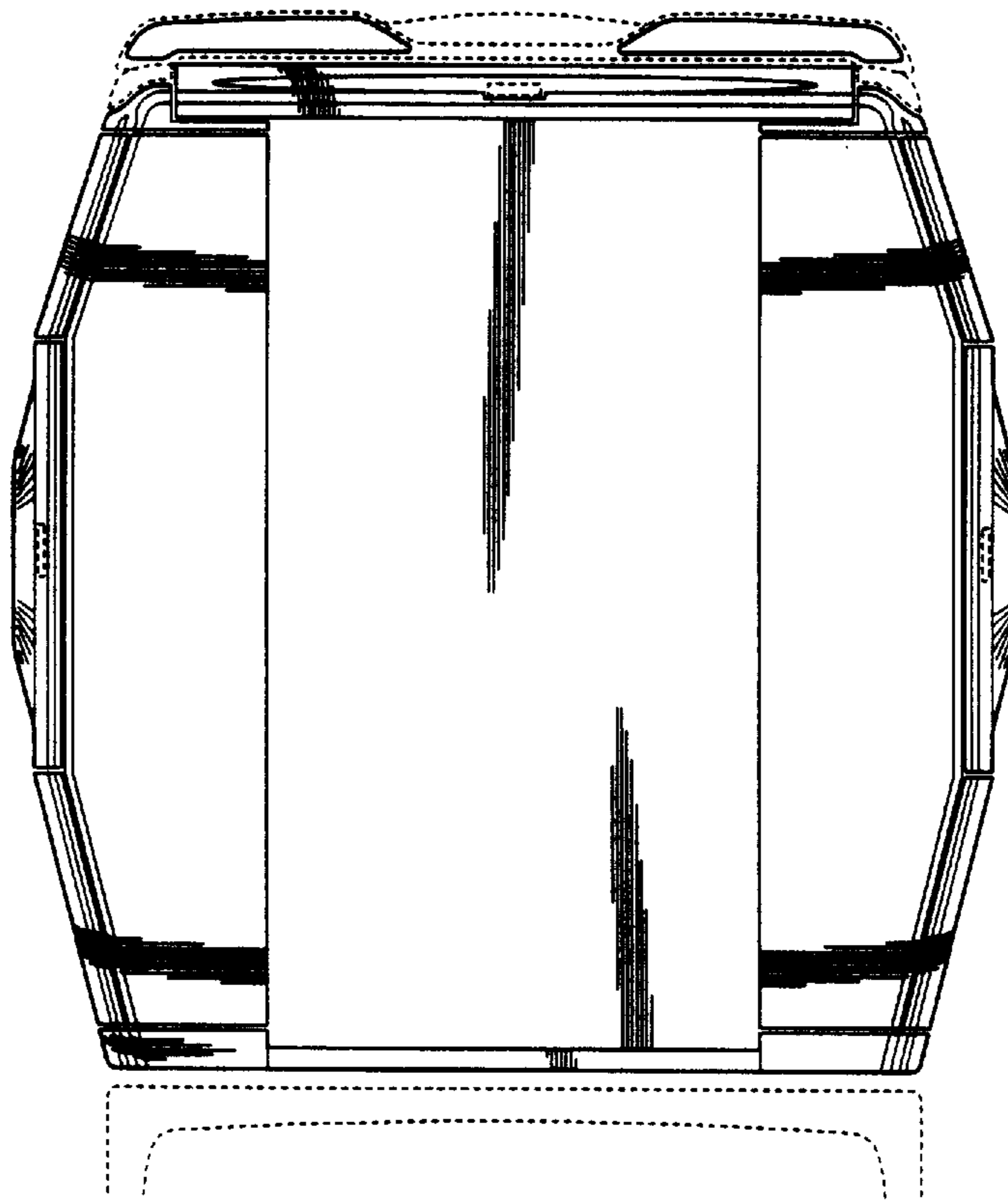


FIGURE 5

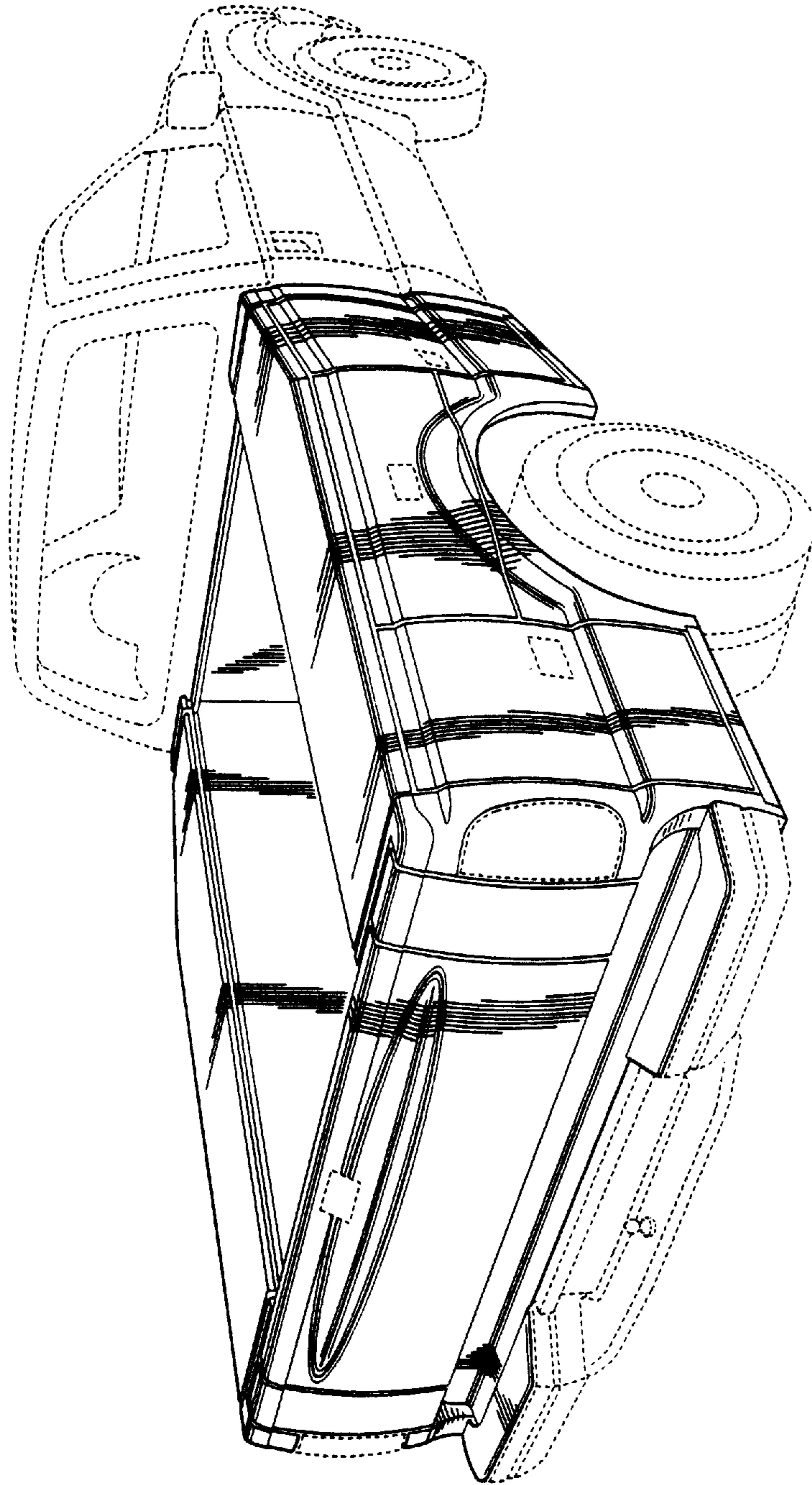


FIGURE 6

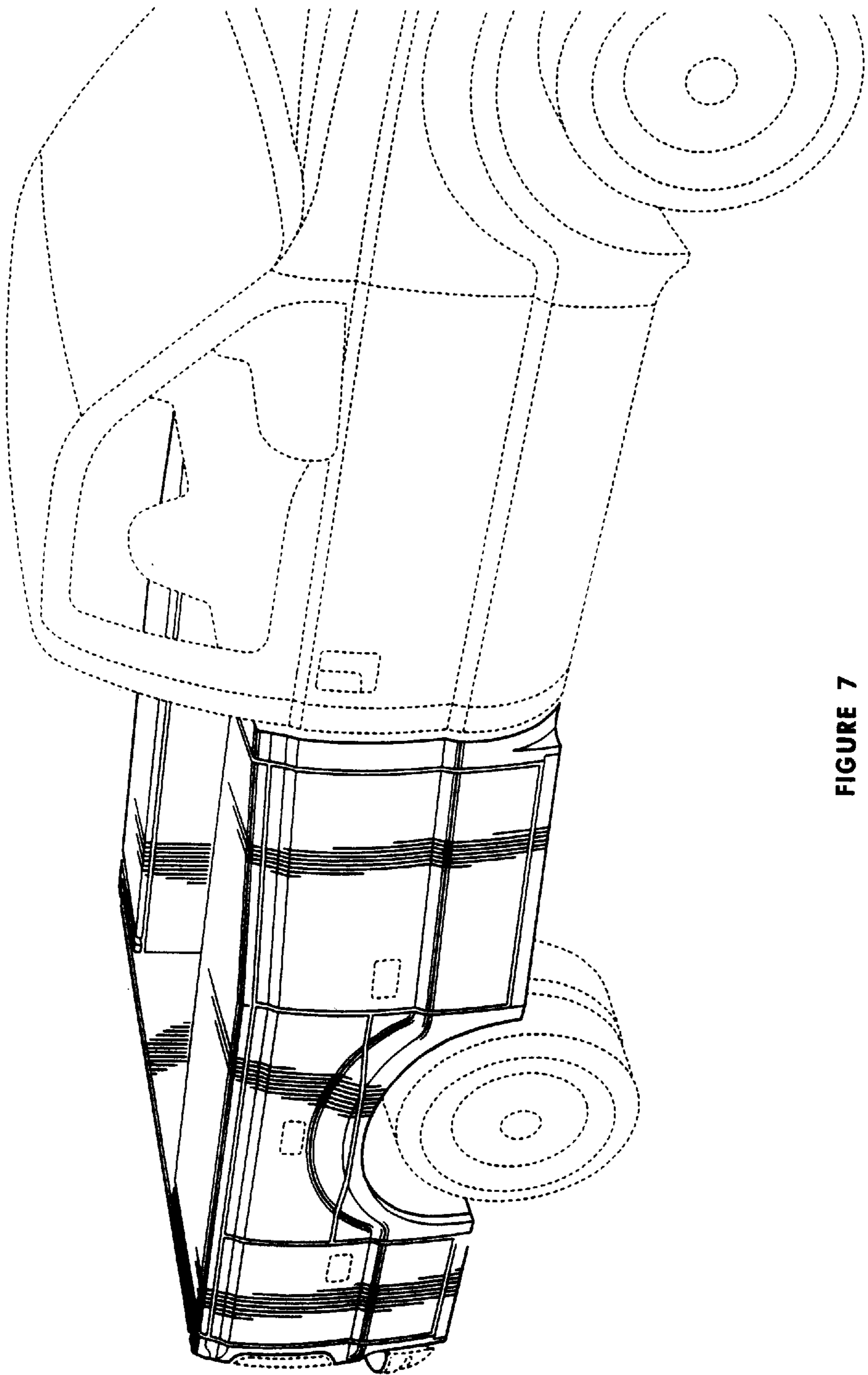


FIGURE 7



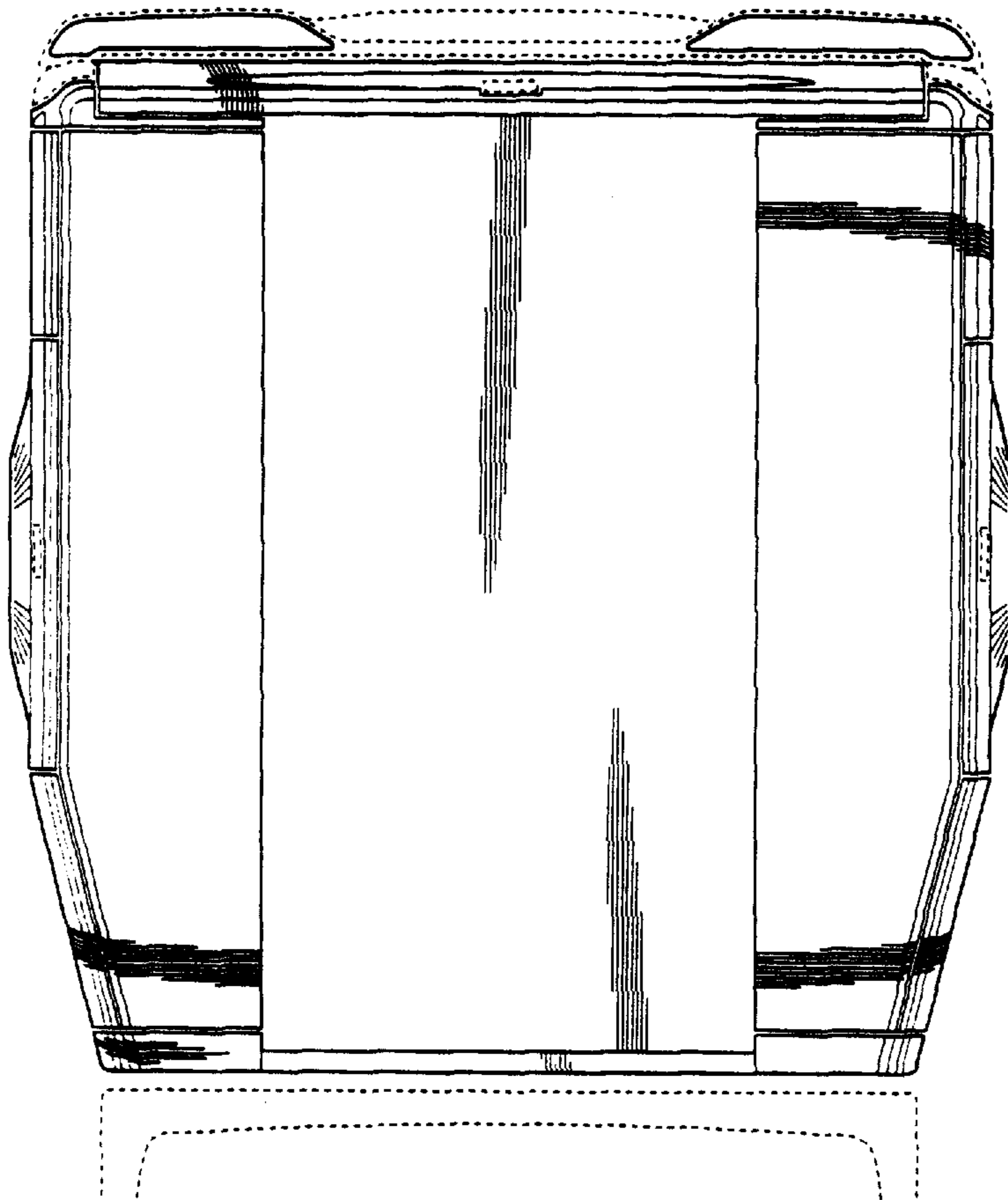


FIGURE 8

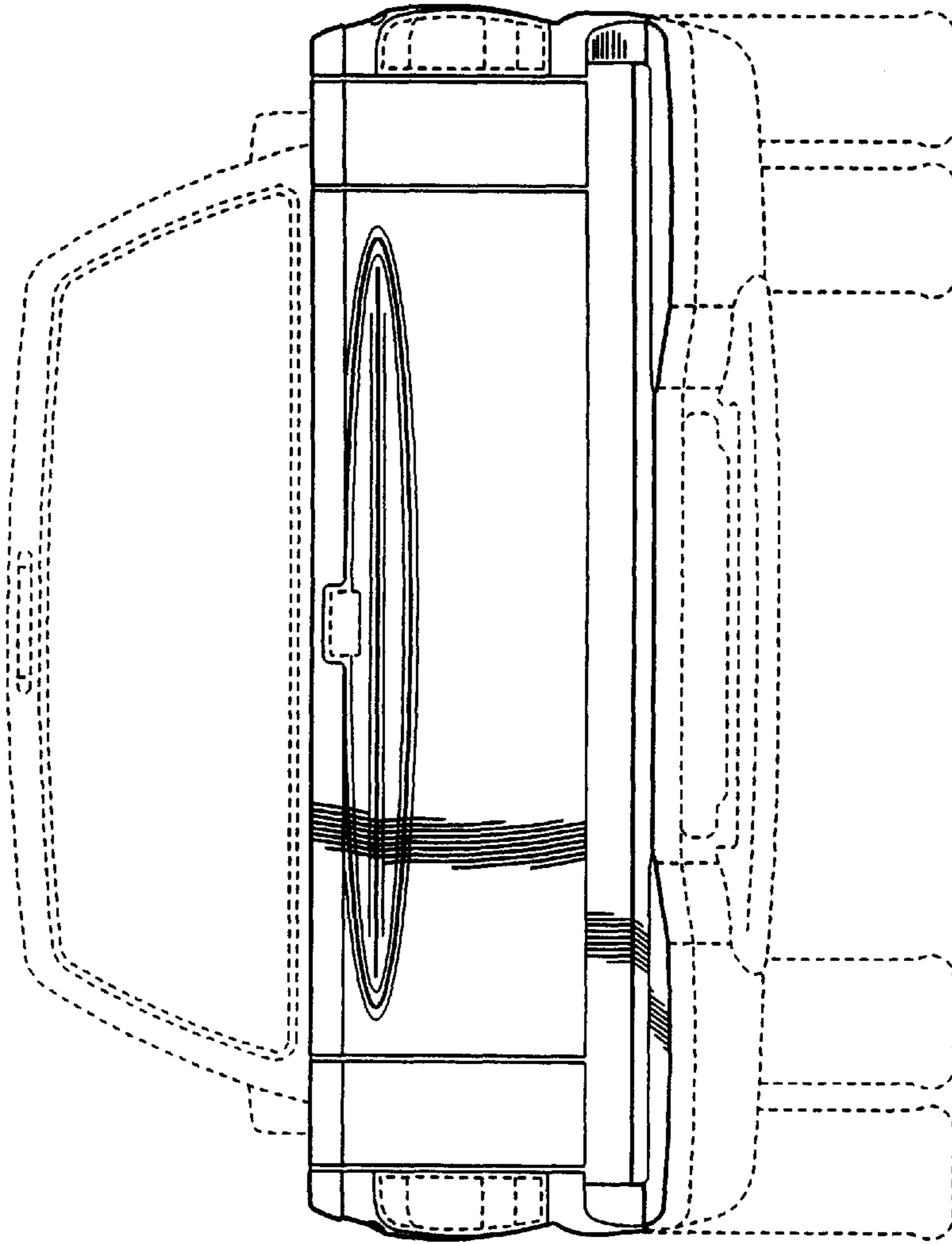


FIGURE 9