



US00D407044S

United States Patent [19]

Aros et al.

[11] **Patent Number: Des. 407,044**

[45] **Date of Patent: **Mar. 23, 1999**

[54] **TRUCK BODY**

5,228,742 7/1993 Johnson 296/191

[75] Inventors: **Carlos Joaquin Aros; Sylvan S. Thronson Aros**, both of Bellflower, Calif.

Primary Examiner—Melody N. Brown
Attorney, Agent, or Firm—Oppenheimer Wolff & Donnelly LLP

[73] Assignee: **Royal Truck Bodies, Inc.**, Paramount, Calif.

[57] **CLAIM**

The ornamental design for a truck body, as shown and described.

[**] Term: **14 Years**

DESCRIPTION

[21] Appl. No.: **82,983**

FIG. 1 is a rear perspective view of a truck body showing our new design;

[22] Filed: **Feb. 3, 1998**

FIG. 2 is a front perspective view thereof;

[51] **LOC (6) Cl. 12-08**

FIG. 3 is a side view thereof, opposite the side shown in FIGS. 1 and 2;

[52] **U.S. Cl. D12/98**

FIG. 4 is an end view thereof;

[58] **Field of Search D12/98, 96, 14, D12/196; 296/183, 191, 24.1, 37.6, 37.1**

FIG. 5 is a top plan view of the new design of the truck body of FIGS. 1 to 4;

[56] **References Cited**

FIG. 6 is a rear perspective view of a second embodiment of a truck body showing our new design;

U.S. PATENT DOCUMENTS

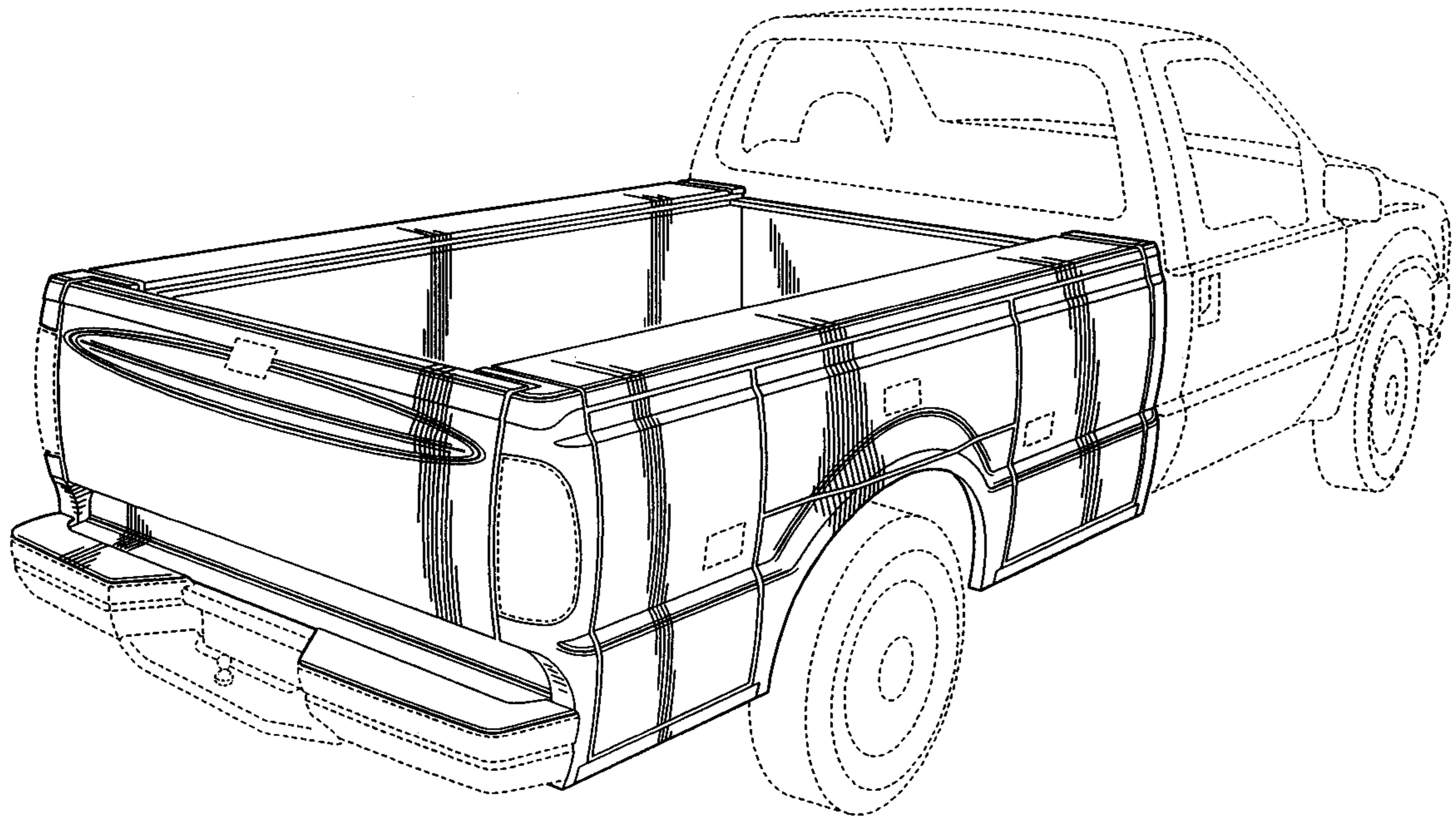
D. 262,615	1/1982	Thompson	D12/181
D. 346,571	5/1994	Lewellen et al.	D12/98
D. 352,485	11/1994	Greed et al.	D12/98
D. 372,211	7/1996	Hunter	D12/98
D. 382,232	8/1997	Henes et al.	D12/98
D. 385,224	10/1997	Dros et al.	D12/98

FIG. 7 is a top plan view of the new design of the truck body of FIG. 6; and,

FIG. 8 is a rear view of the truck body of FIG. 6.

The broken lines shown in all drawing views are for illustrative purposes only and form no part of the claimed design.

1 Claim, 8 Drawing Sheets



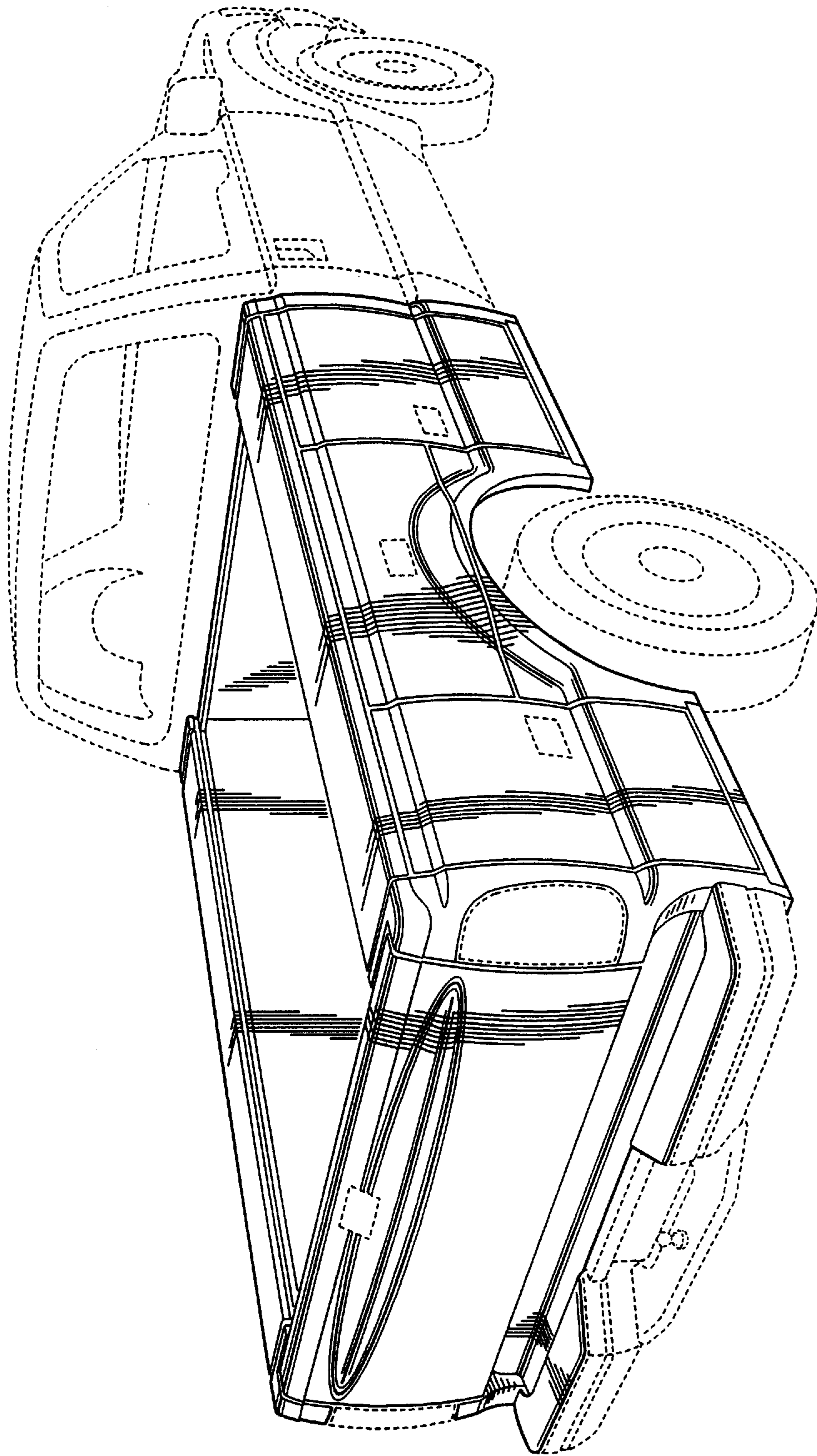


FIGURE 1

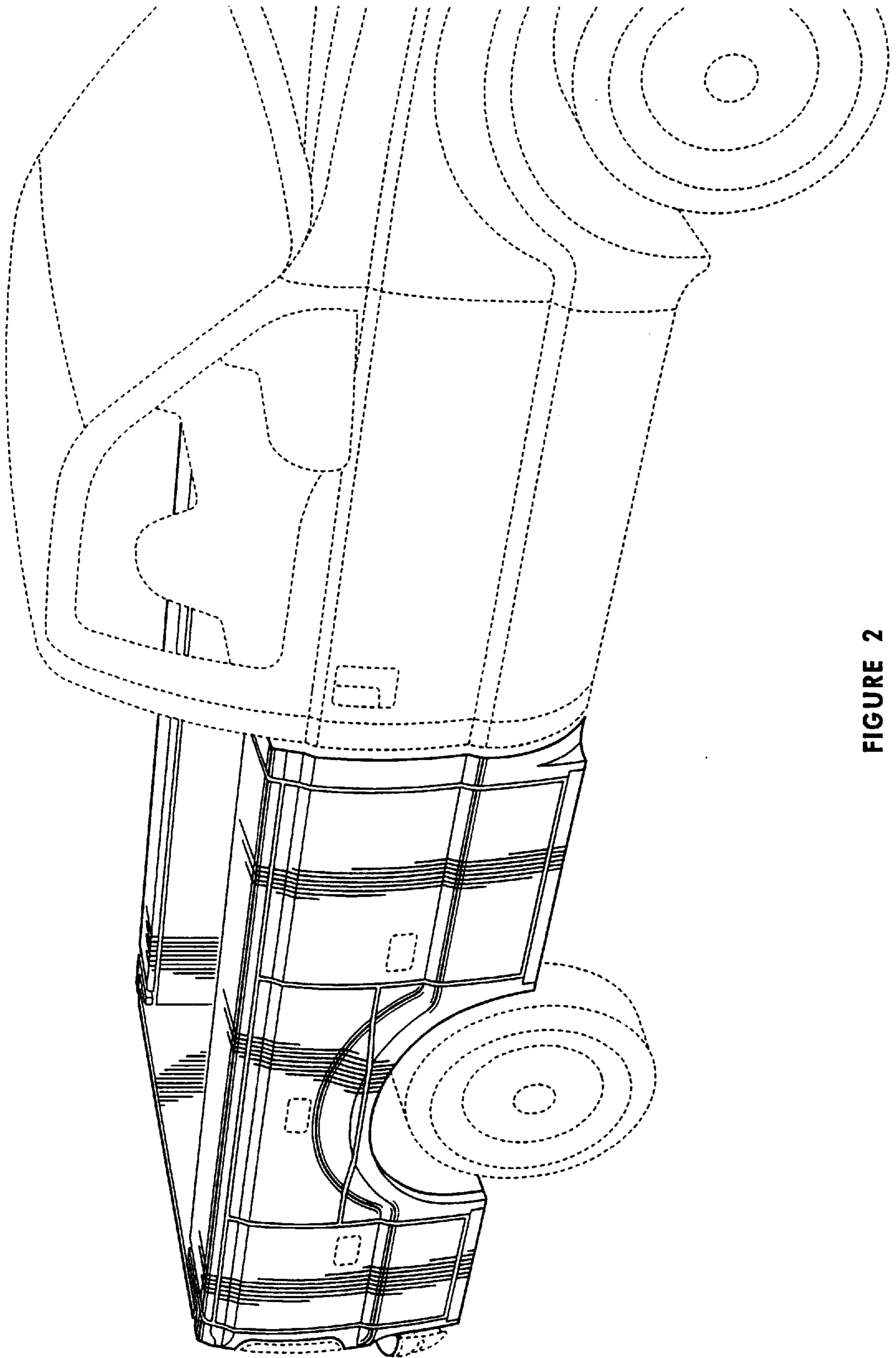


FIGURE 2

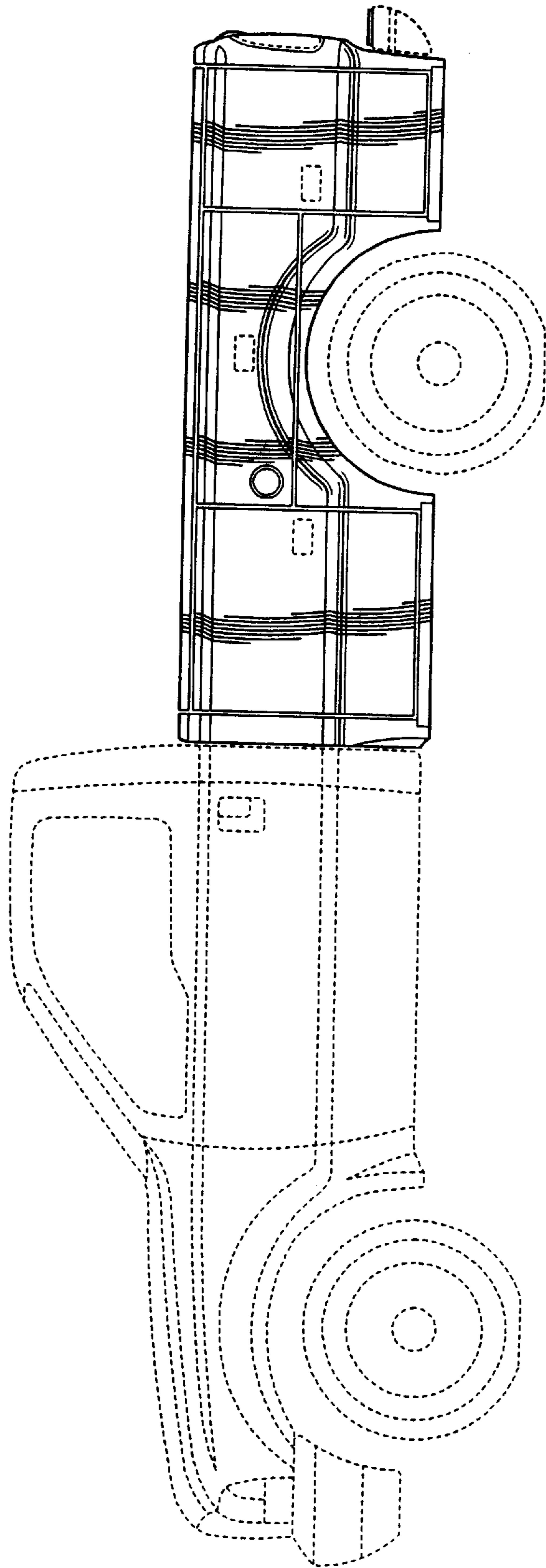


FIGURE 3

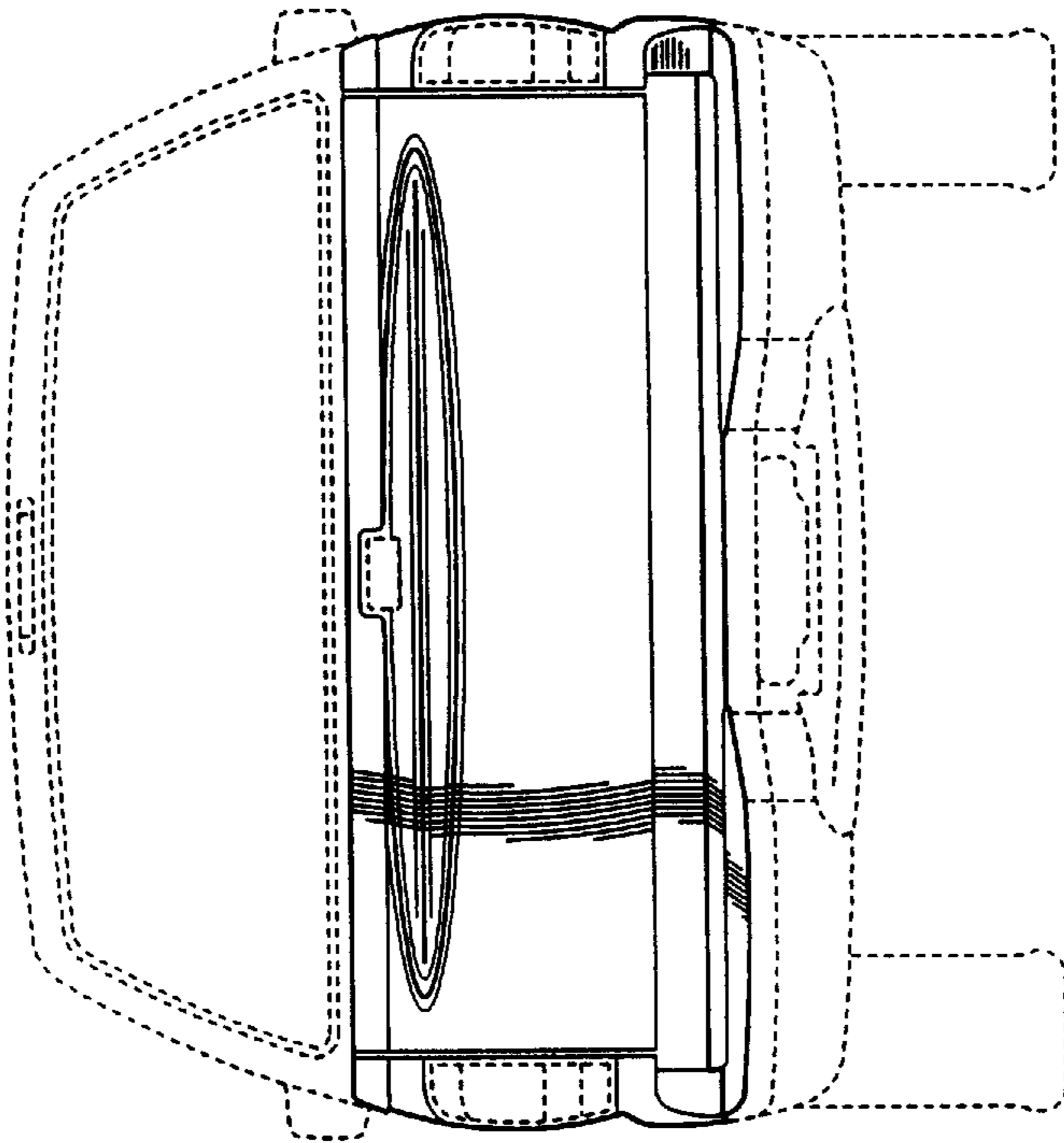


FIGURE 4

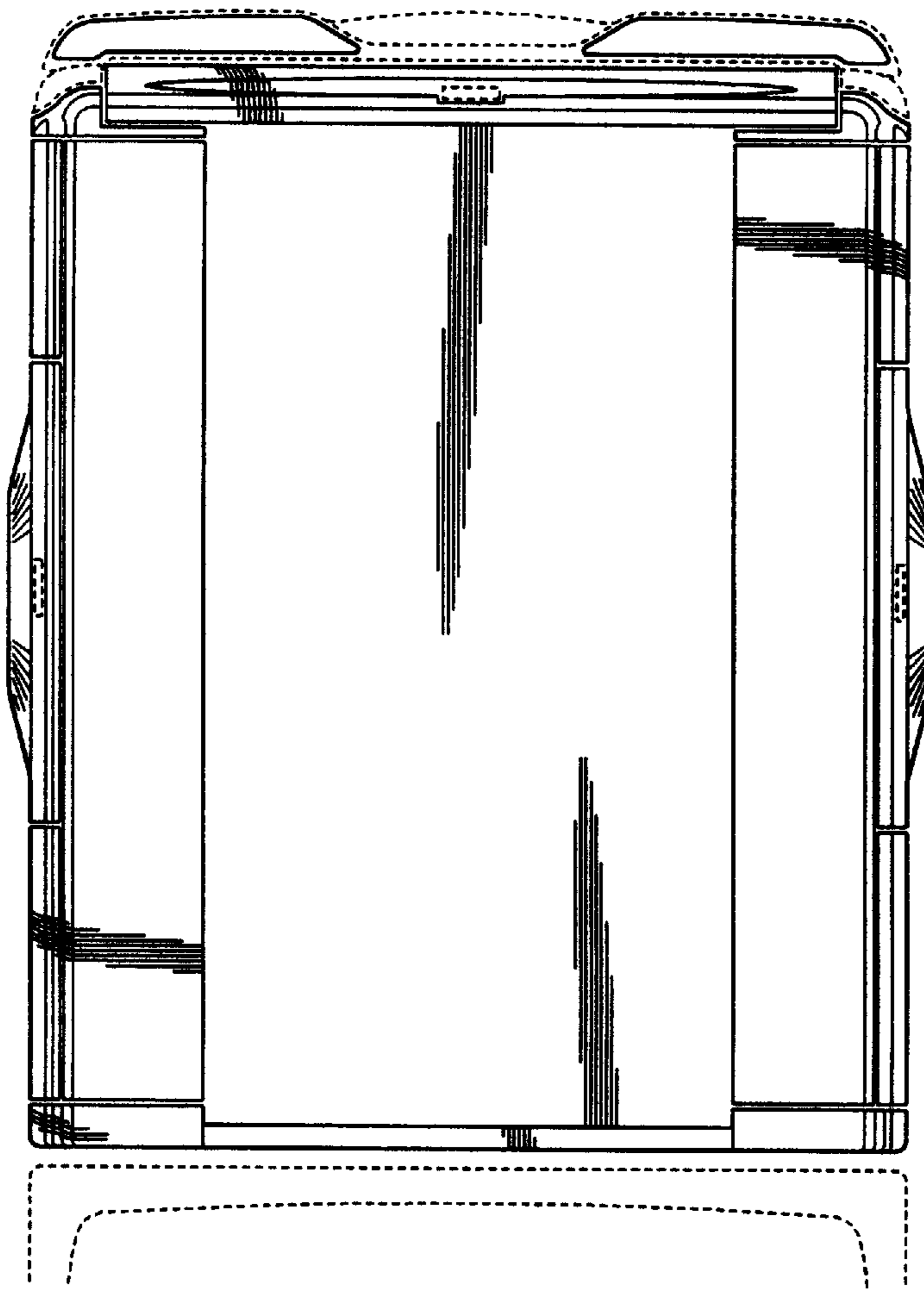


FIGURE 5

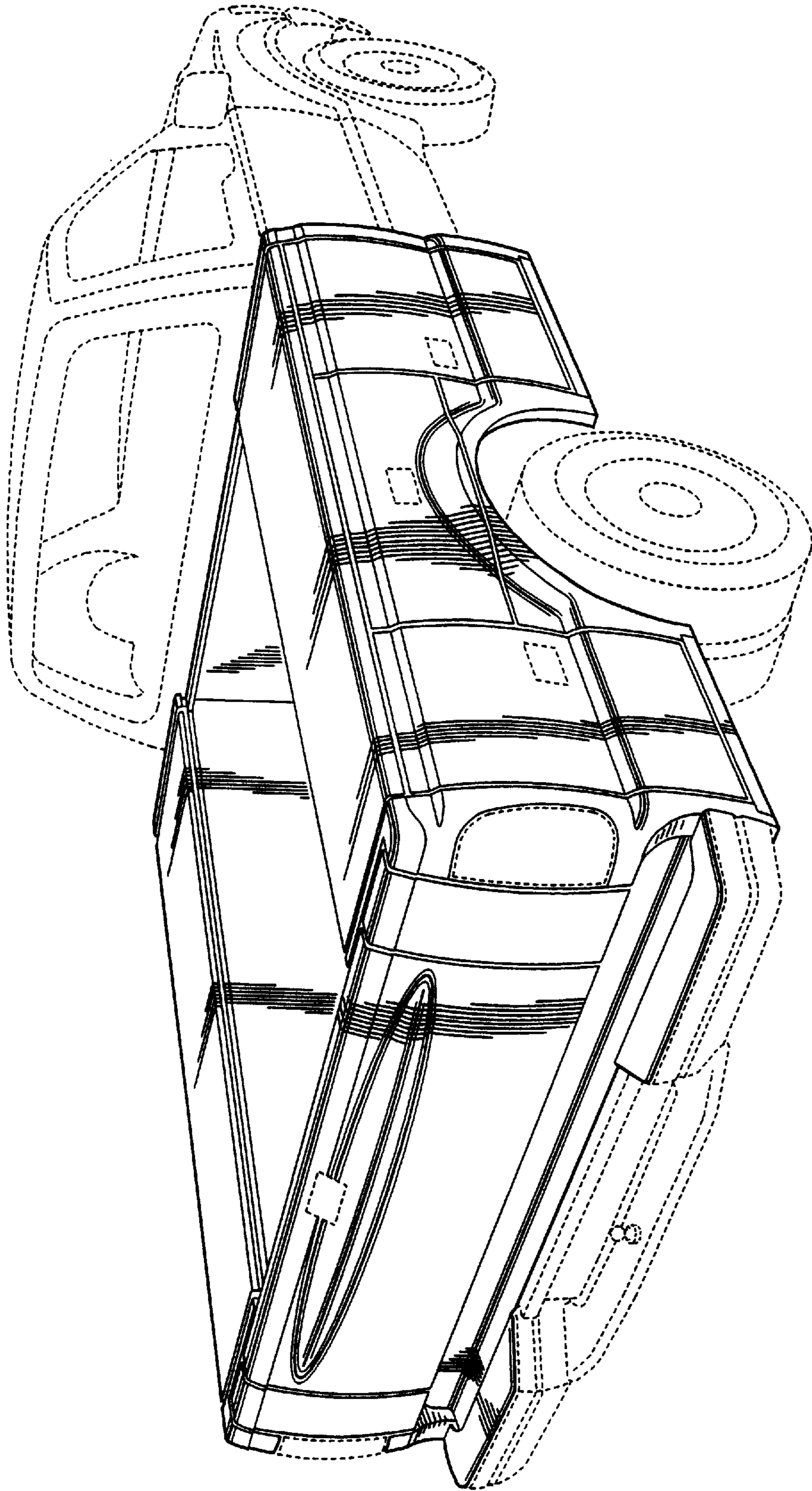


FIGURE 6

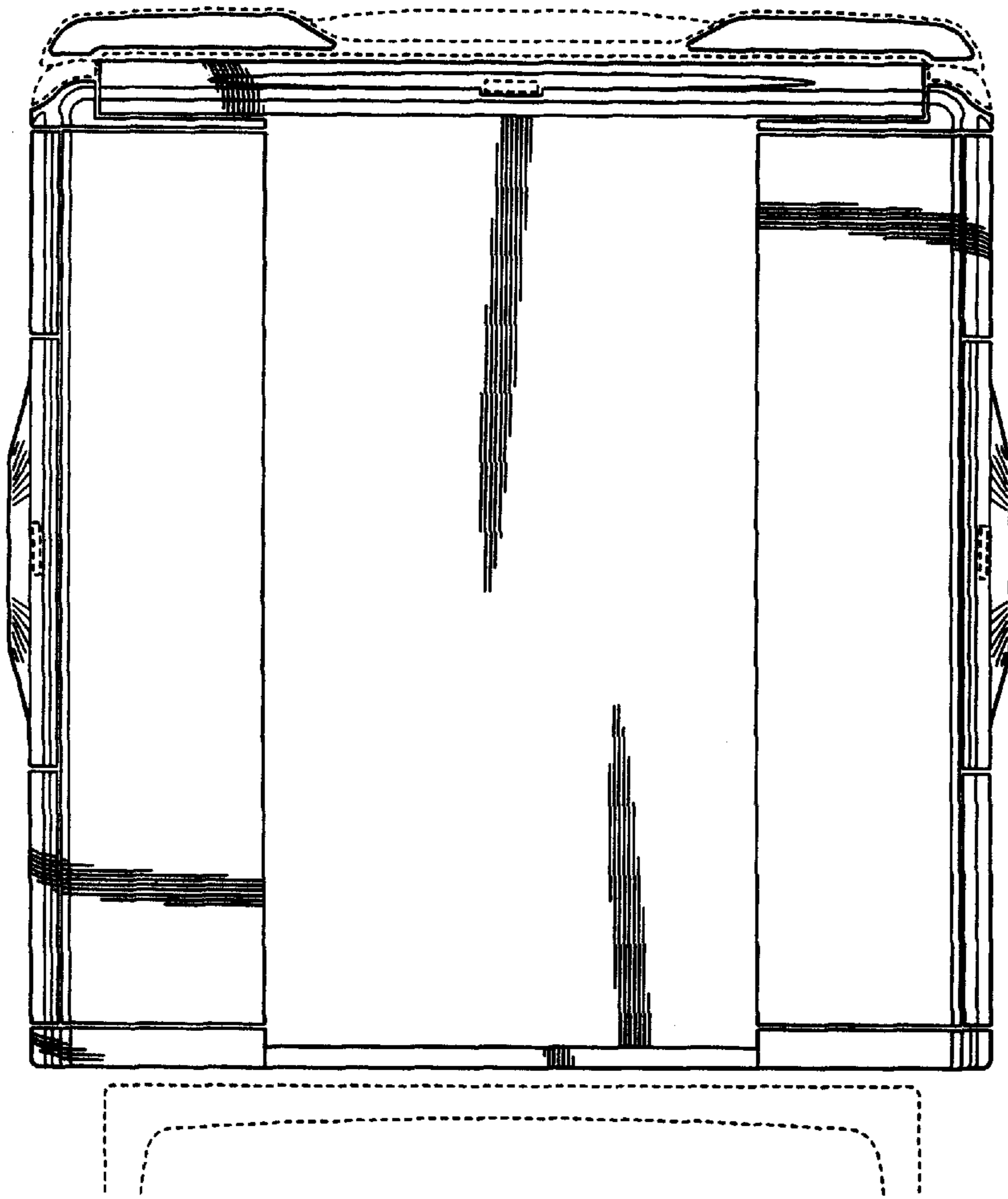


FIGURE 7

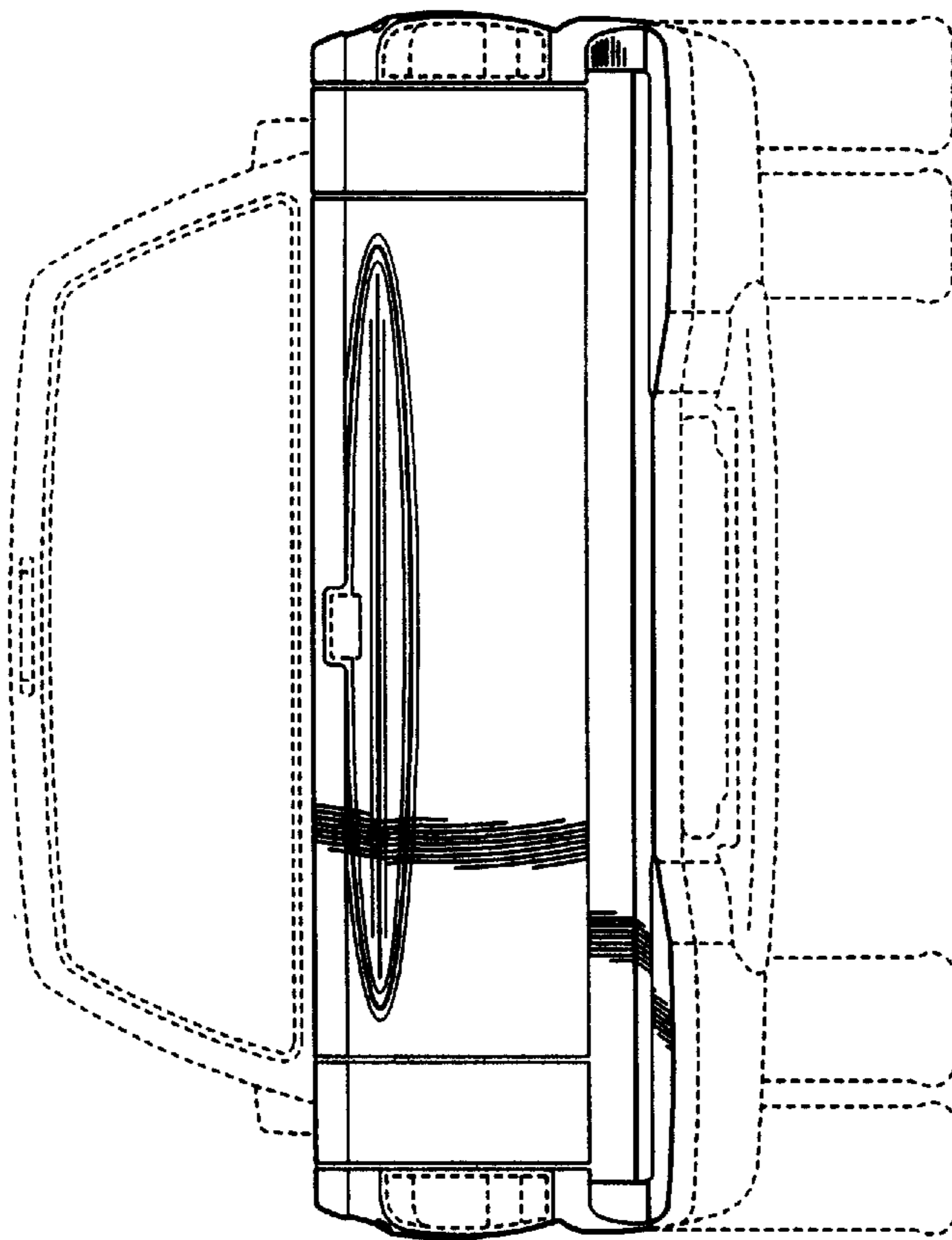


FIGURE 8