

US00D407043S

United States Patent [19]
Kojima et al.

[11] **Patent Number: Des. 407,043**
[45] **Date of Patent: **Mar. 23, 1999**

[54] **SUPPORTING APPARATUS**

[75] Inventors: **Katsuji Kojima; Masaaki Harada; Takao Kusuda**, all of Tokyo, Japan

[73] Assignee: **Sony Corporation**, Tokyo, Japan

[**] Term: **14 Years**

[21] Appl. No.: **73,155**

[22] Filed: **Jul. 1, 1997**

[30] **Foreign Application Priority Data**

Jan. 8, 1997 [JP] Japan 9-82

[51] **LOC (6) Cl.** **11-02**

[52] **U.S. Cl.** **D11/164; D20/21**

[58] **Field of Search** D11/117, 131,
D11/164; D20/21; D6/449, 455, 495; 248/522,
523, 349, 349.1; 40/493, 430, 473, 484,
497

[56] **References Cited**

U.S. PATENT DOCUMENTS

D. 386,792 11/1997 Miller D20/21
2,527,969 10/1950 Siebenkittel 248/522 X
4,969,290 11/1990 Skoretz 248/349.1 X
5,149,043 9/1992 Grundmann D20/21 X

5,479,867 1/1996 Blevins et al. 248/349.1 X

Primary Examiner—Dominic Simone
Attorney, Agent, or Firm—Foley & Lardner

[57] **CLAIM**

The ornamental design for a supporting apparatus, as shown and described.

DESCRIPTION

FIG. 1 is a perspective view of a supporting apparatus showing our new design;
FIG. 2 is a top plan view thereof;
FIG. 3 is a front elevational view thereof;
FIG. 4 is a right side elevational view thereof, a left side elevational view thereof being a mirror image;
FIG. 5 is a bottom plan view thereof;
FIG. 6 is a rear elevational view thereof;
FIG. 7 is a perspective view of a second embodiment of FIG. 1;
FIG. 8 is a top plan view of FIG. 7;
FIG. 9 is a bottom plan view of FIG. 7; and,
FIG. 10 is a reduced perspective view of FIG. 7, the flower shown in broken lines for illustrative purposes only and forms no part of the claimed design.
The right and left side and rear elevational views of FIG. 7, are identical to those shown in FIGS. 4–6 respectively.

1 Claim, 4 Drawing Sheets

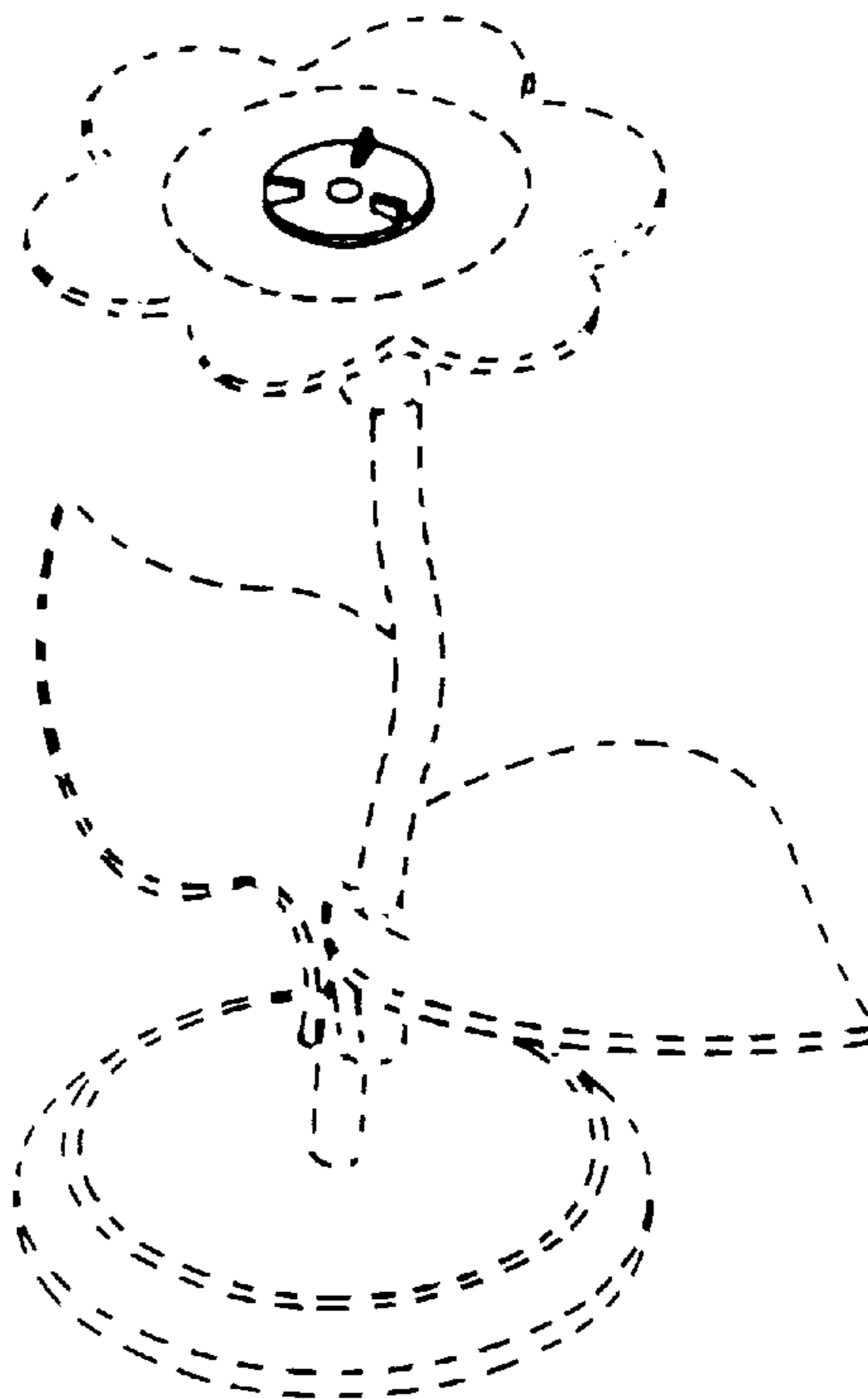
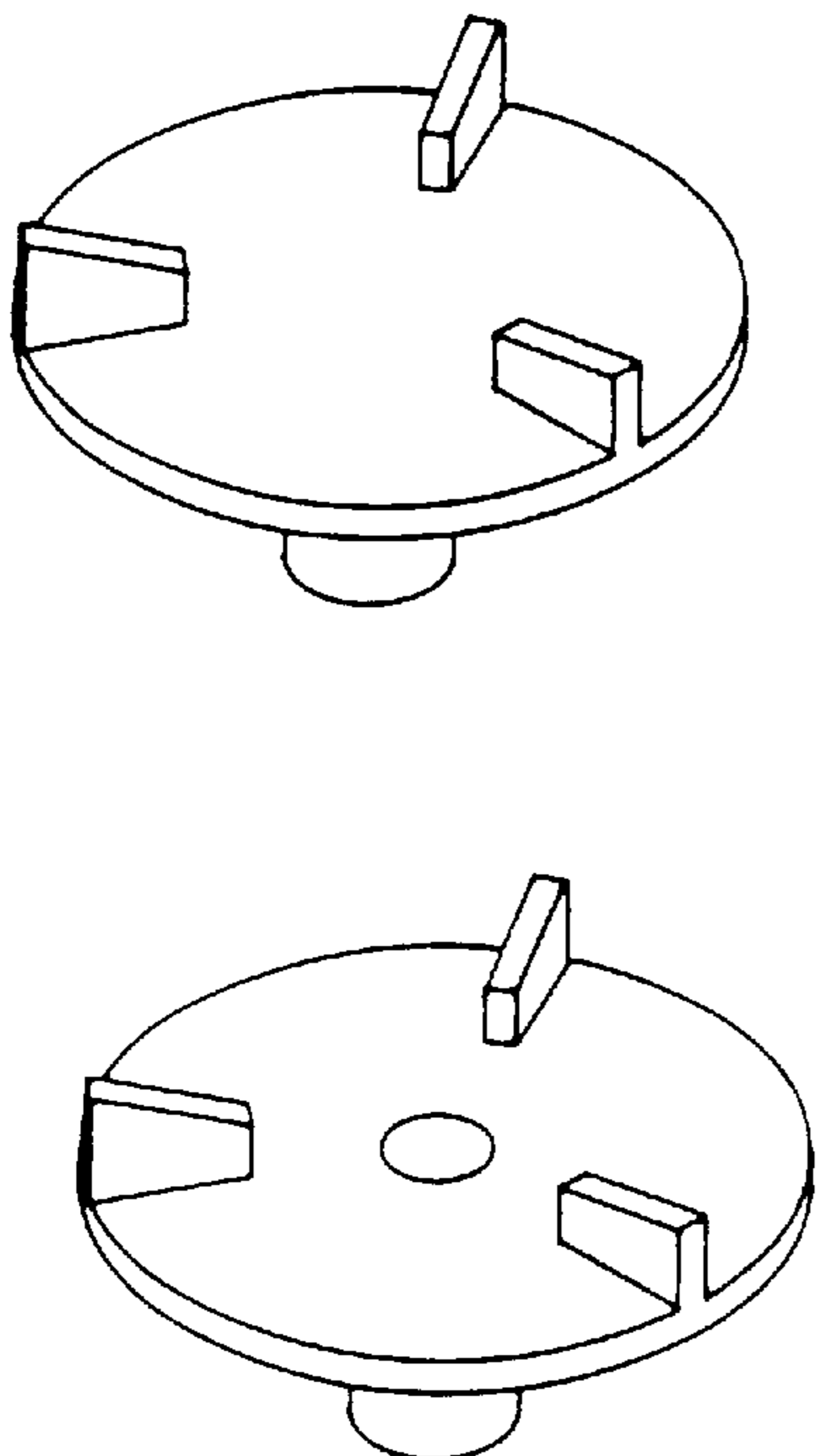


FIG. 1

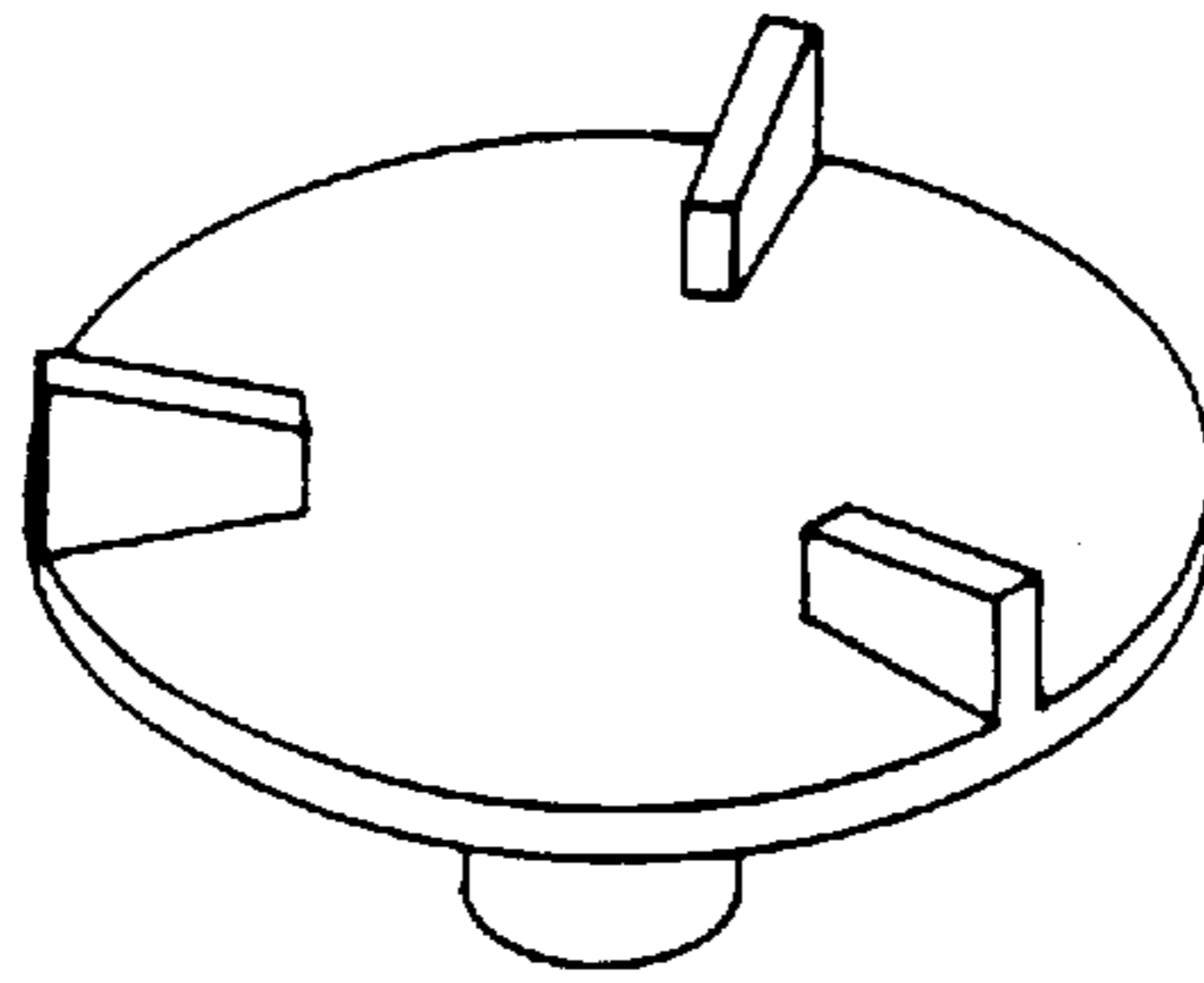


FIG. 2

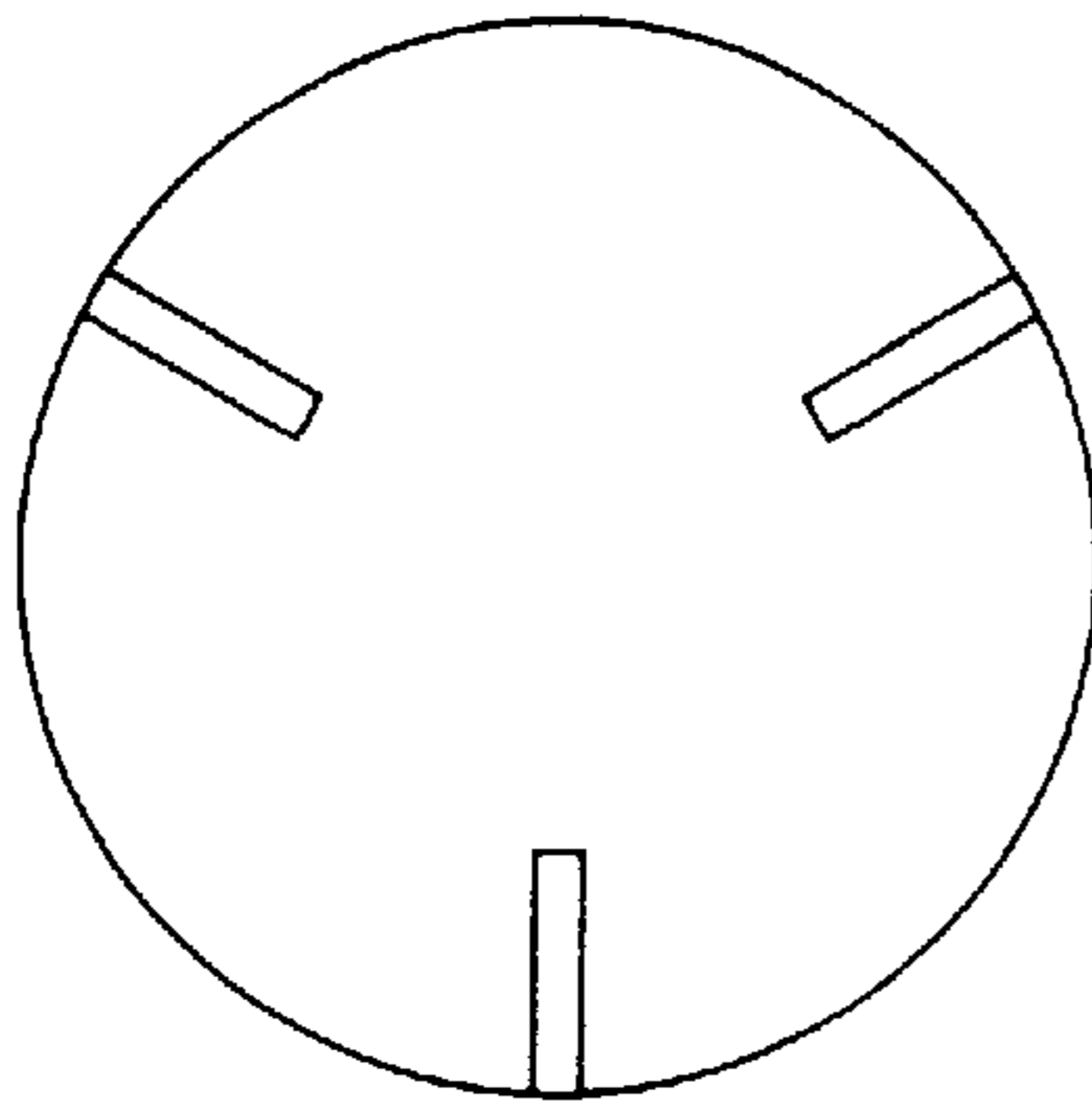


FIG. 3

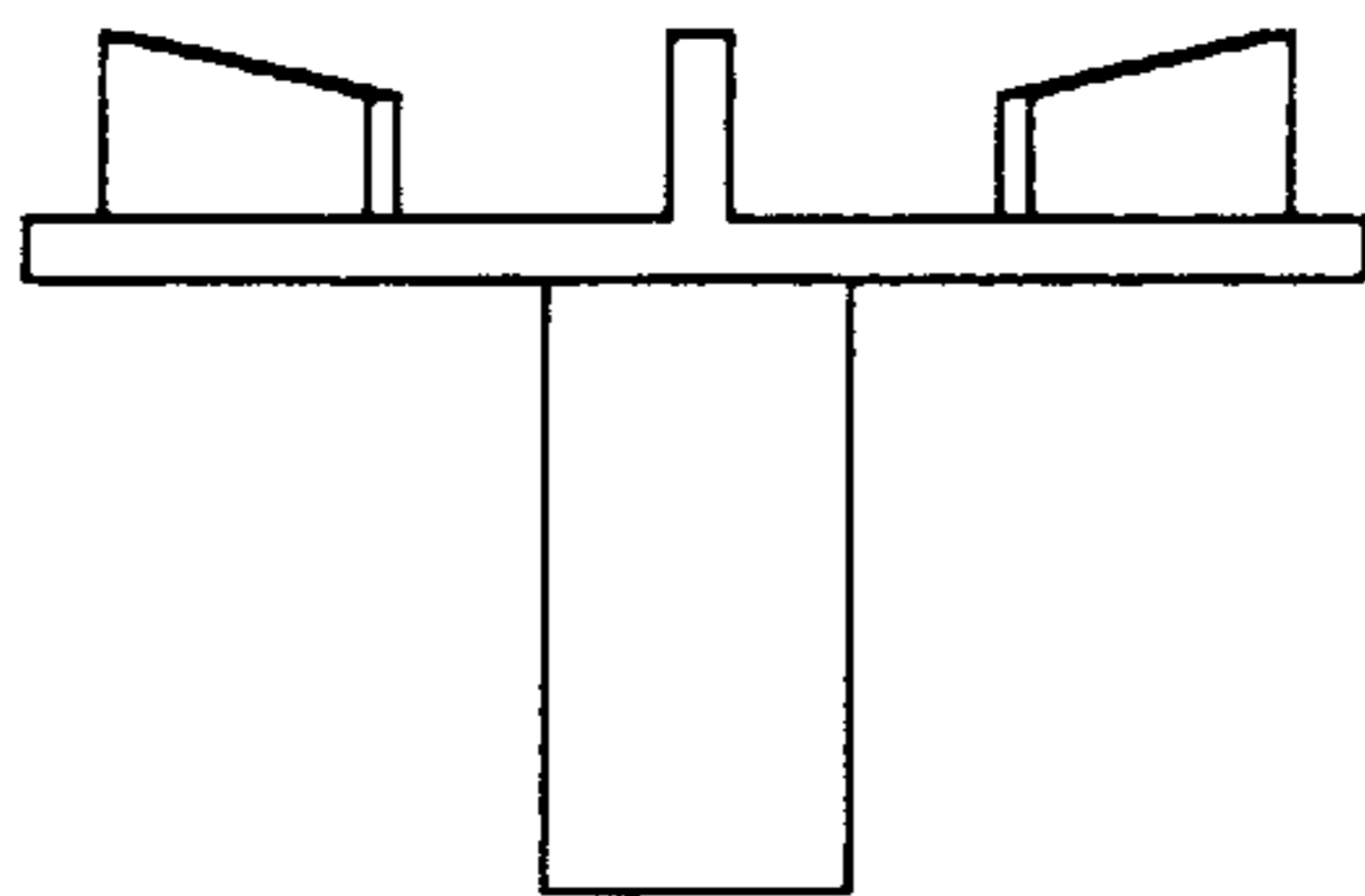


FIG. 4

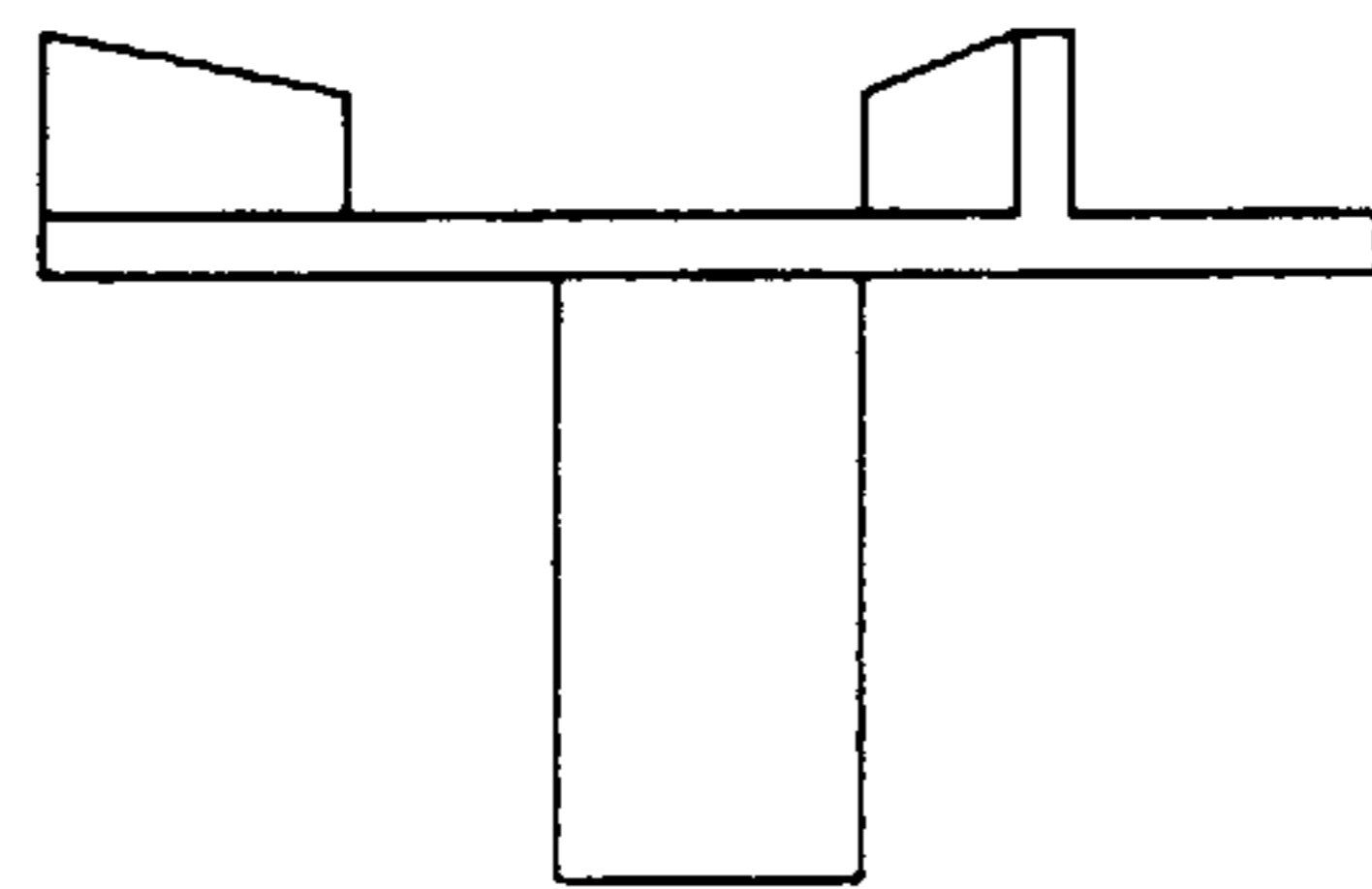


FIG. 5

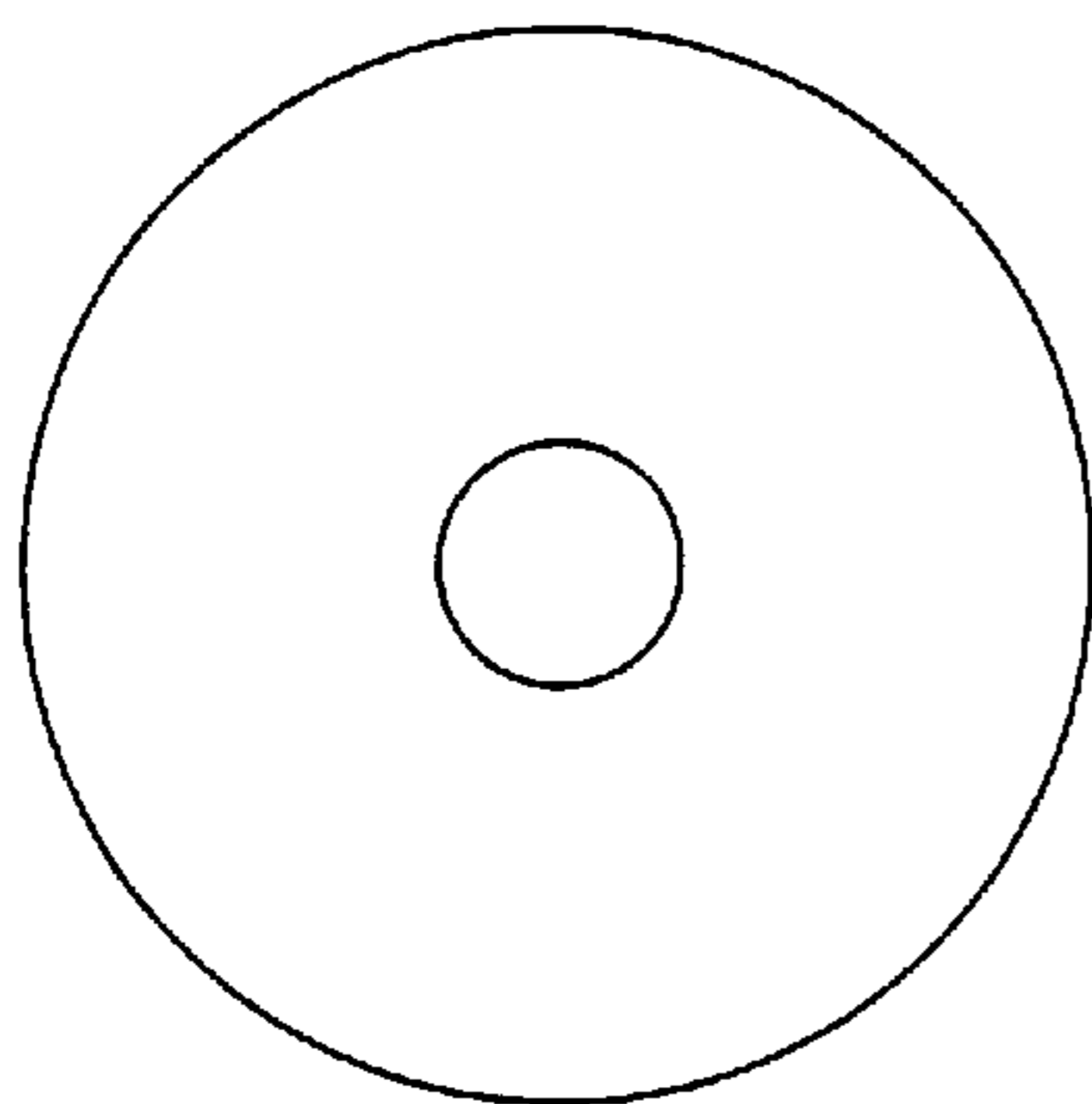


FIG. 6

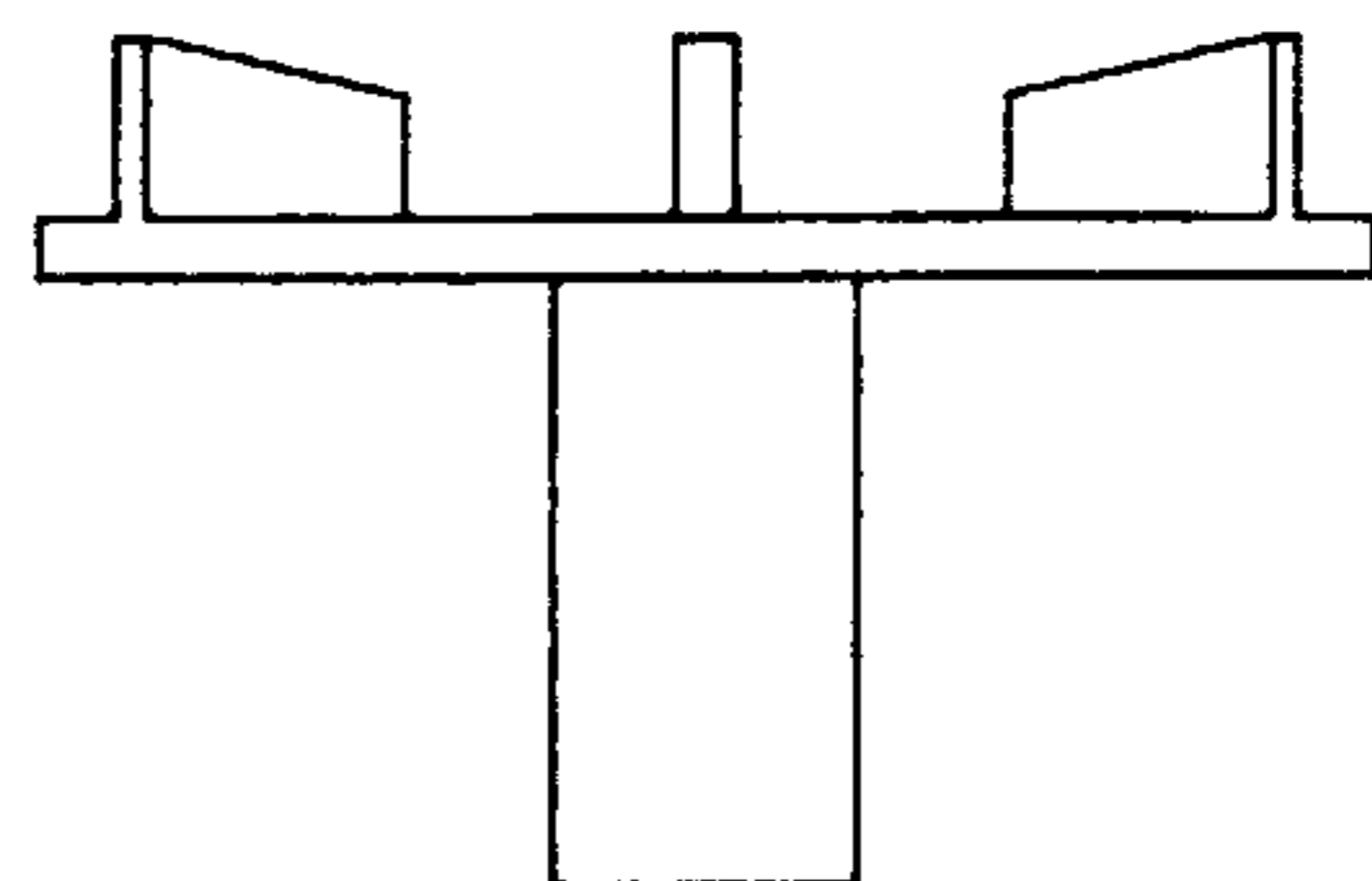


FIG. 7

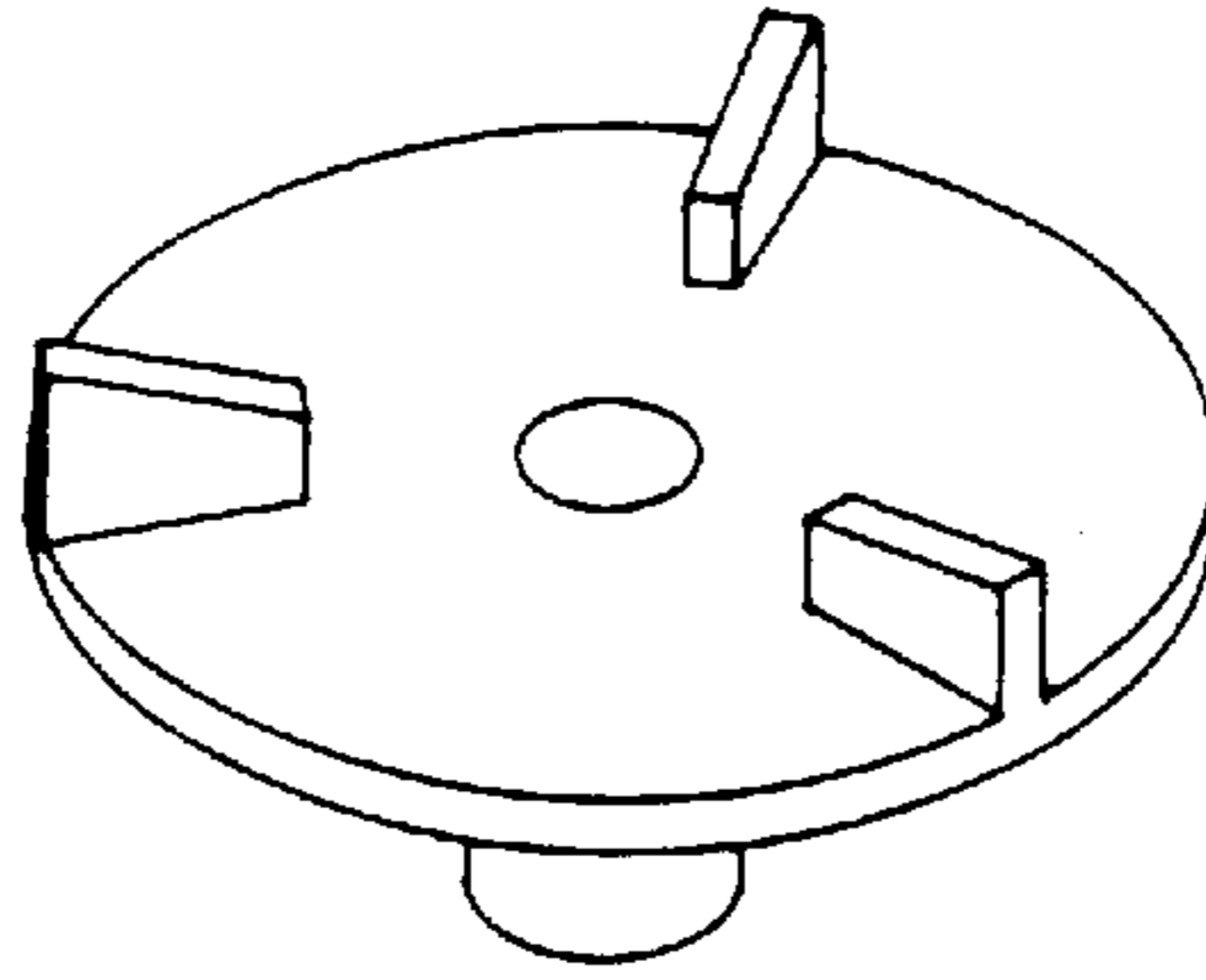


FIG. 10

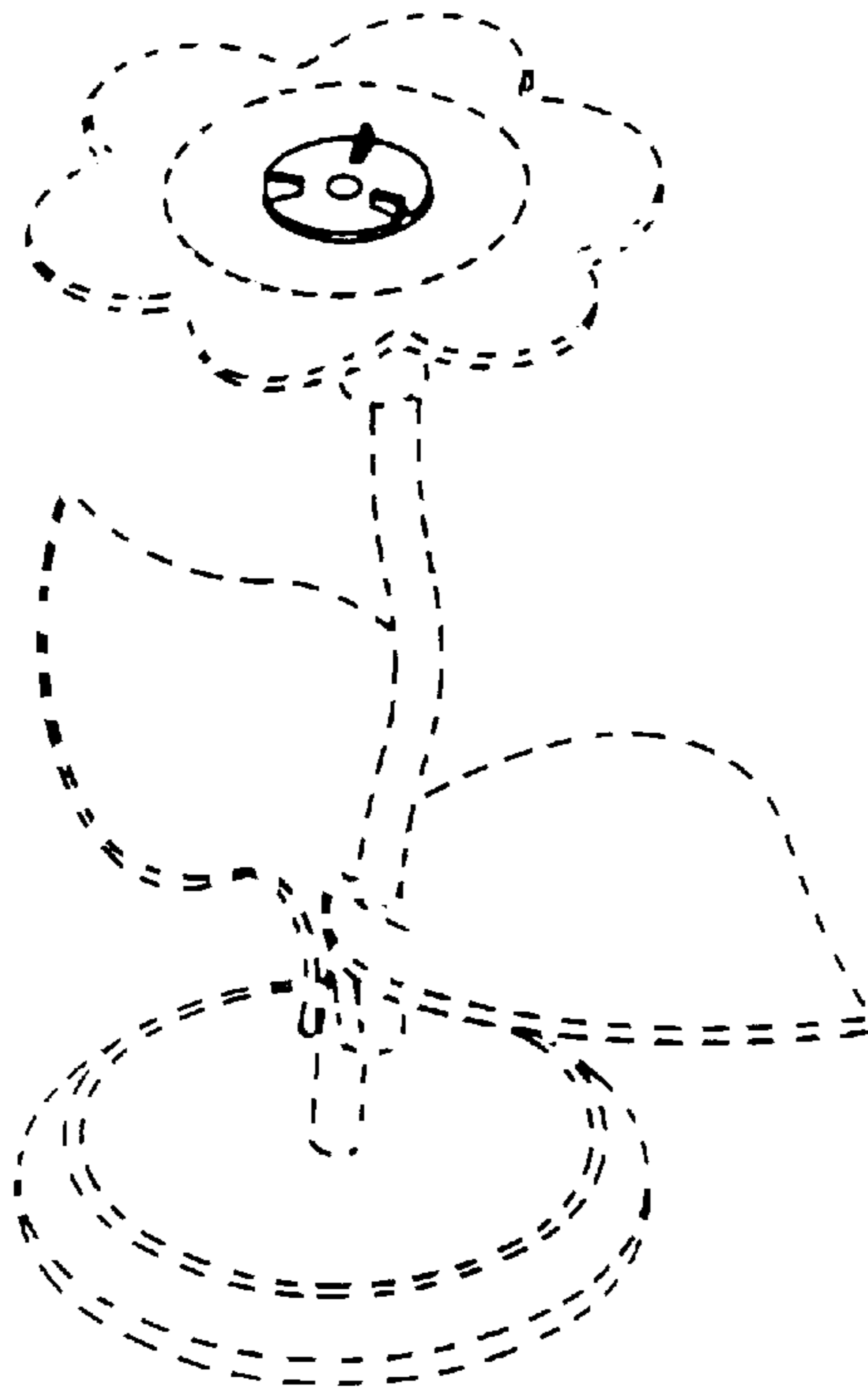


FIG. 8

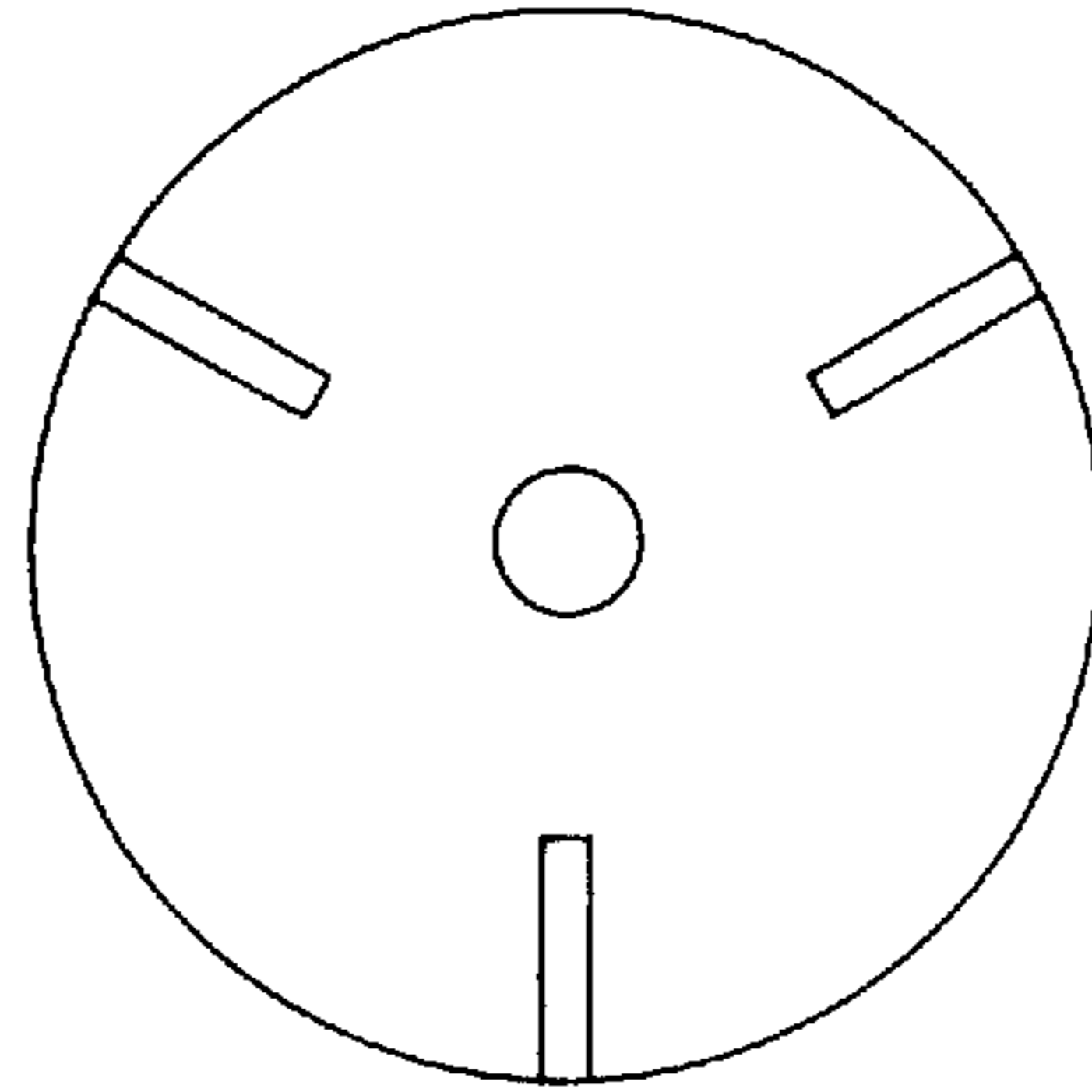


FIG. 9

