

US00D407040S

United States Patent [19] Marks

[11] **Patent Number: Des. 407,040**

[45] **Date of Patent: **Mar. 23, 1999**

[54] **KIT FOR CHRISTMAS TREE SURROUND**

5,453,916 9/1995 Tennis et al. .
5,667,174 9/1997 Adams .

[76] Inventor: **Frank E. Marks**, 1550 W. 31st St.,
Erie, Pa. 16508

FOREIGN PATENT DOCUMENTS

[**] Term: **14 Years**

1422293 3/1966 France .
2496153 6/1982 France .
2165563 4/1986 United Kingdom .

[21] Appl. No.: **88,369**

Primary Examiner—Dominic Simone
Attorney, Agent, or Firm—Frank E. Marks

[22] Filed: **May 21, 1998**

[51] **LOC (6) Cl. 11-05**

[57] **CLAIM**

[52] **U.S. Cl. D11/125; D11/121; D11/130.1**

The ornamental design for a kit for a Christmas tree surround, as shown and described.

[58] **Field of Search D11/121, 130.1,
D11/125; D25/38, 39, 42-44, 50, 164;
428/7; 47/40.5**

DESCRIPTION

[56] **References Cited**

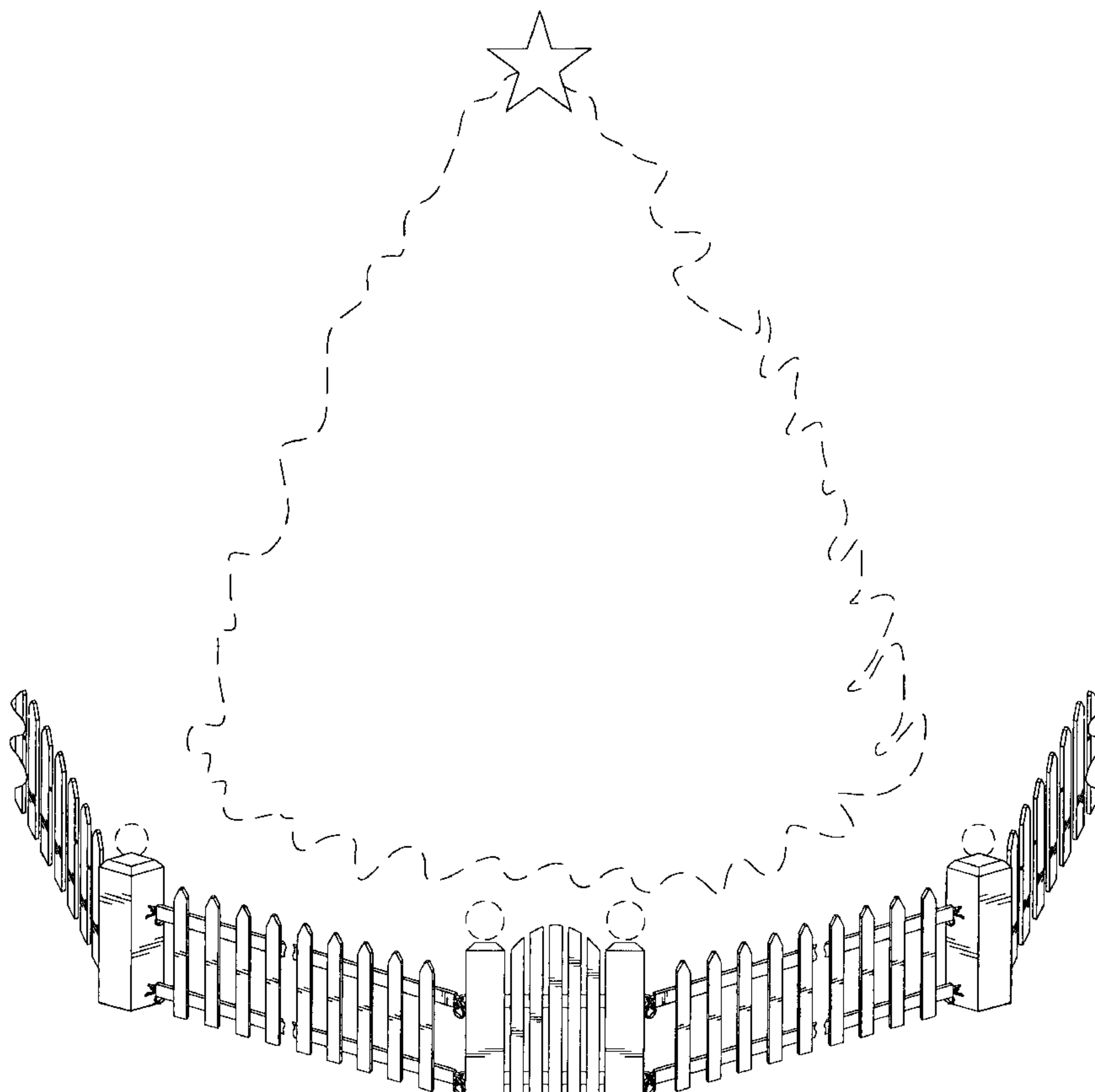
FIG. 1 is a an environmental perspective view of a kit for a Christmas tree surround showing my new design;
FIG. 2 is an enlarged front elevational view of the fence panel, gate and fence post, shown separately for clarity of illustration;
FIG. 3 is a rear elevational view of FIG. 2;
FIG. 4 is a top plan view of FIG. 2; and,
FIG.5 is a right side elevational view of FIG. 2, the left side being a mirror image.

U.S. PATENT DOCUMENTS

D. 70,546	7/1926	Downing	D11/130.1
D. 71,246	10/1926	Kelly	D11/130.1
D. 109,146	4/1938	Lazarski	D11/130.1
D. 118,446	1/1940	Harris	D11/130.1
D. 163,966	7/1951	Rogers .	
D. 182,462	4/1958	Gallion	D25/42
D. 334,355	3/1993	Moody .	
D. 335,884	5/1993	Seals .	
D. 377,834	2/1997	Simpson	D25/38
D. 386,445	11/1997	Odierna .	
D. 389,777	1/1998	Altieri	D11/130.1
1,954,256	4/1934	Nelson .	
5,404,279	4/1995	Wood .	
5,438,804	8/1995	Reum et al. .	

The bottom of the present design is plain and unornamented. The broken line showing of a Christmas tree within the design and lights atop the connecting post components of the design are for illustrative purposes only and form no part of the present design.

1 Claim, 5 Drawing Sheets



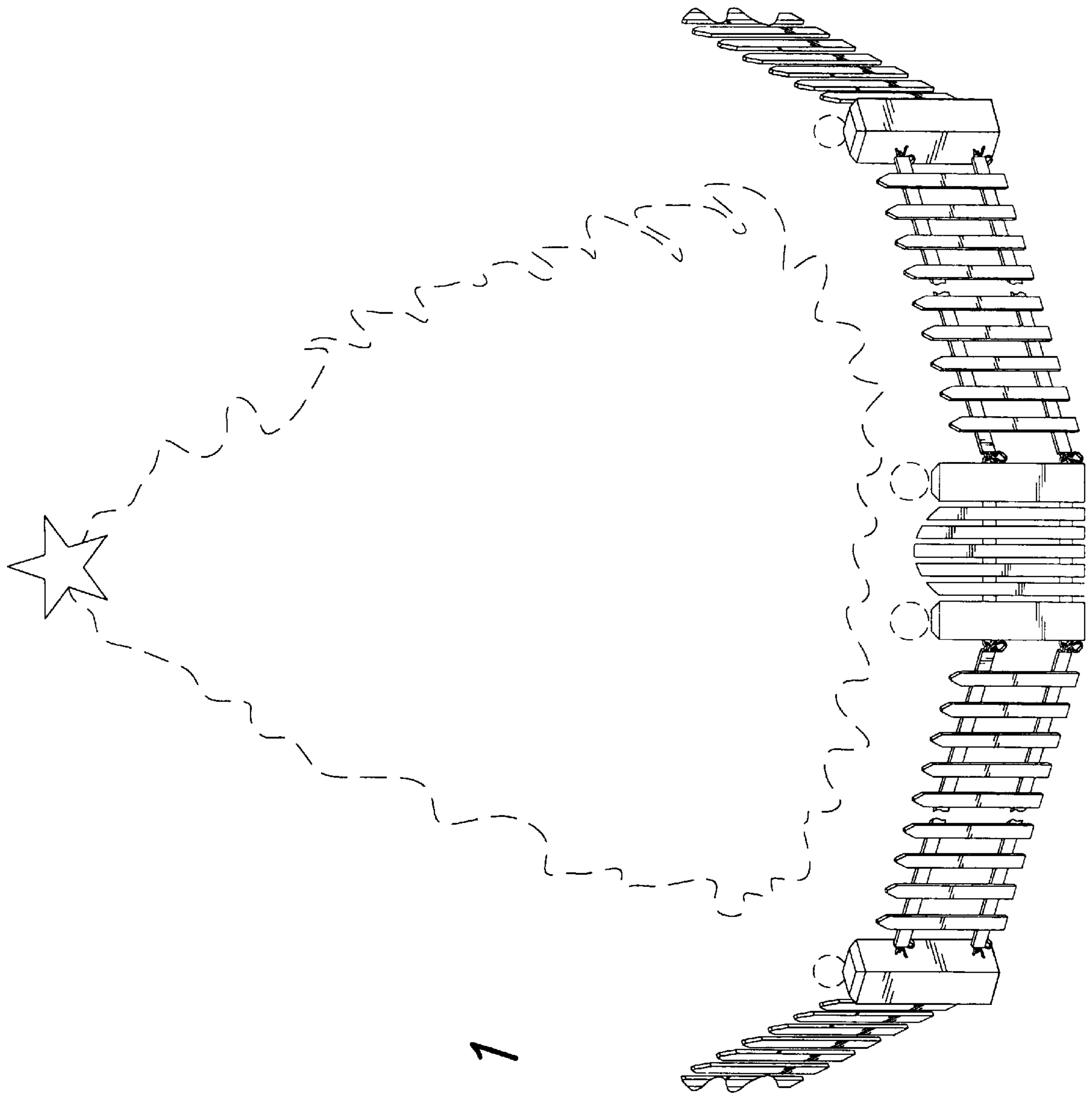


FIG. 1

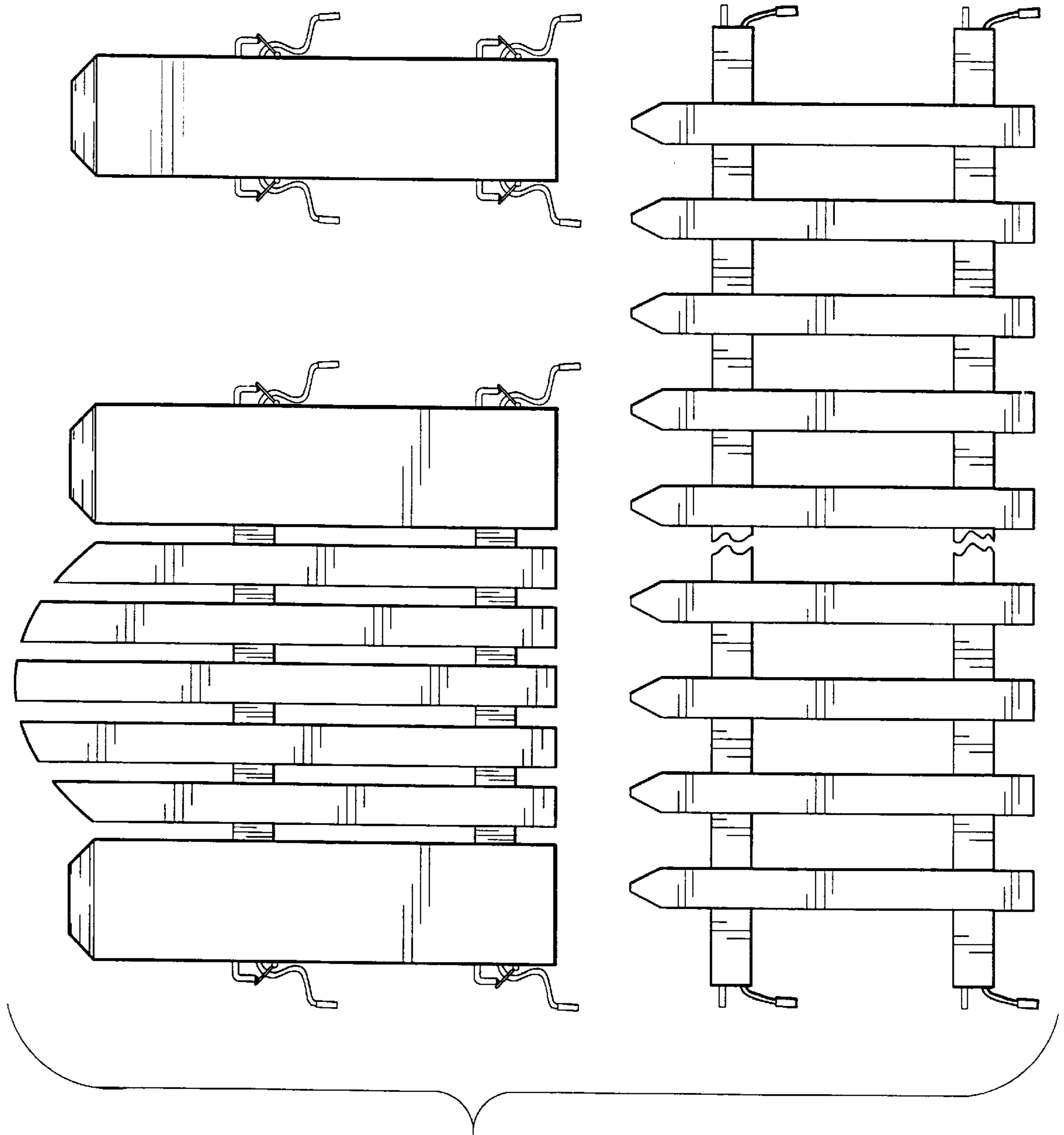


FIG. 2

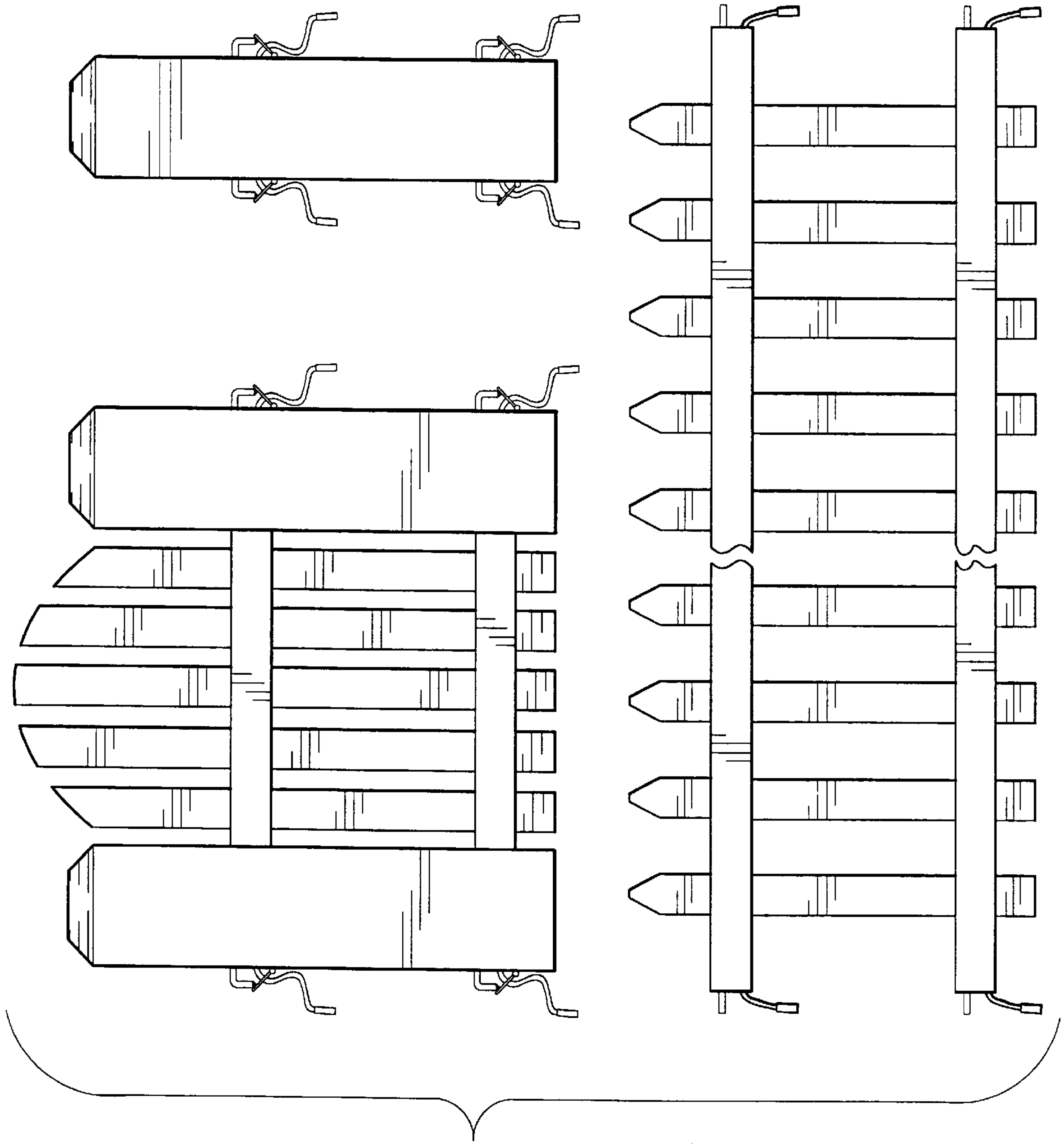


FIG. 3

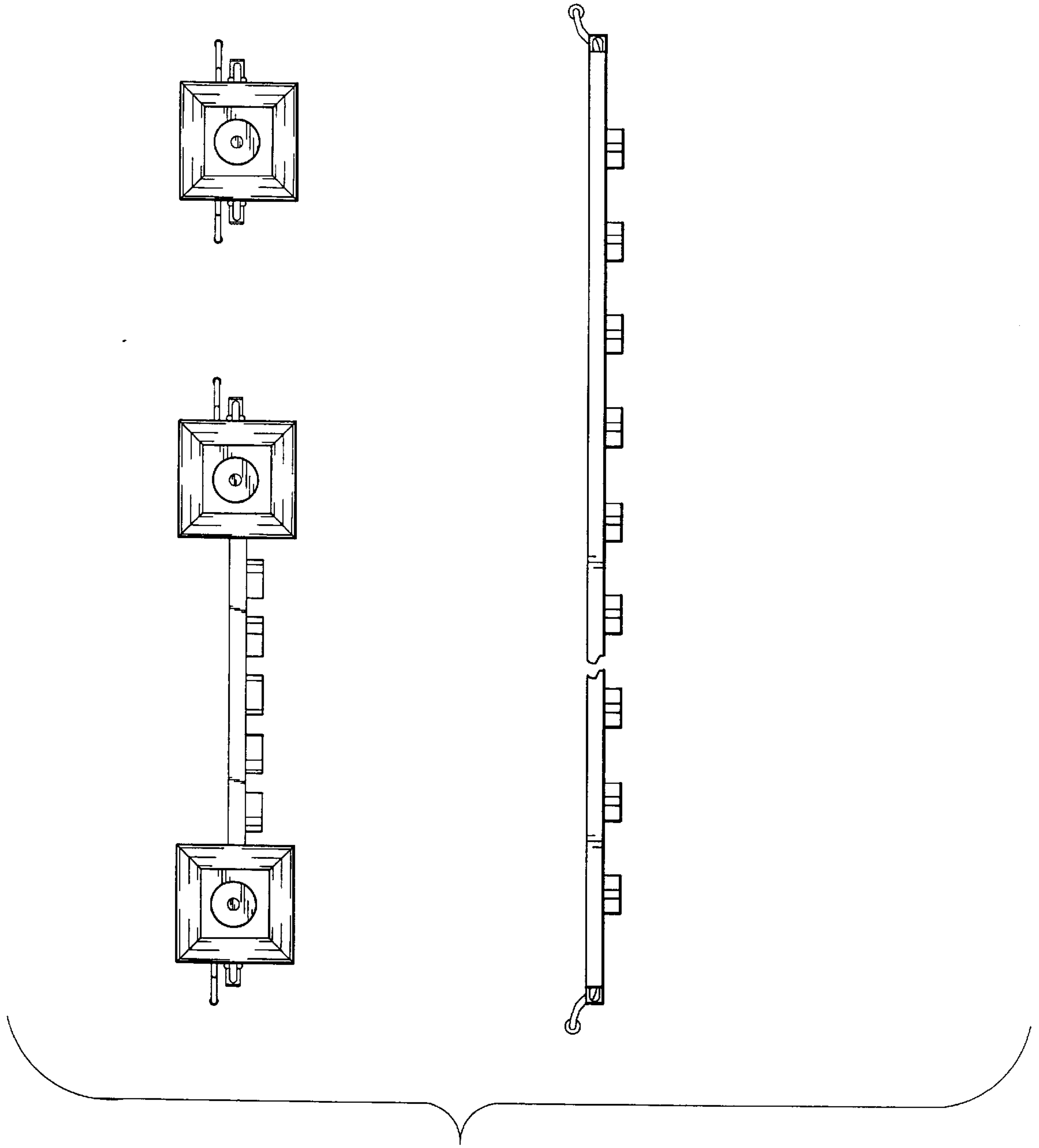


FIG. 4

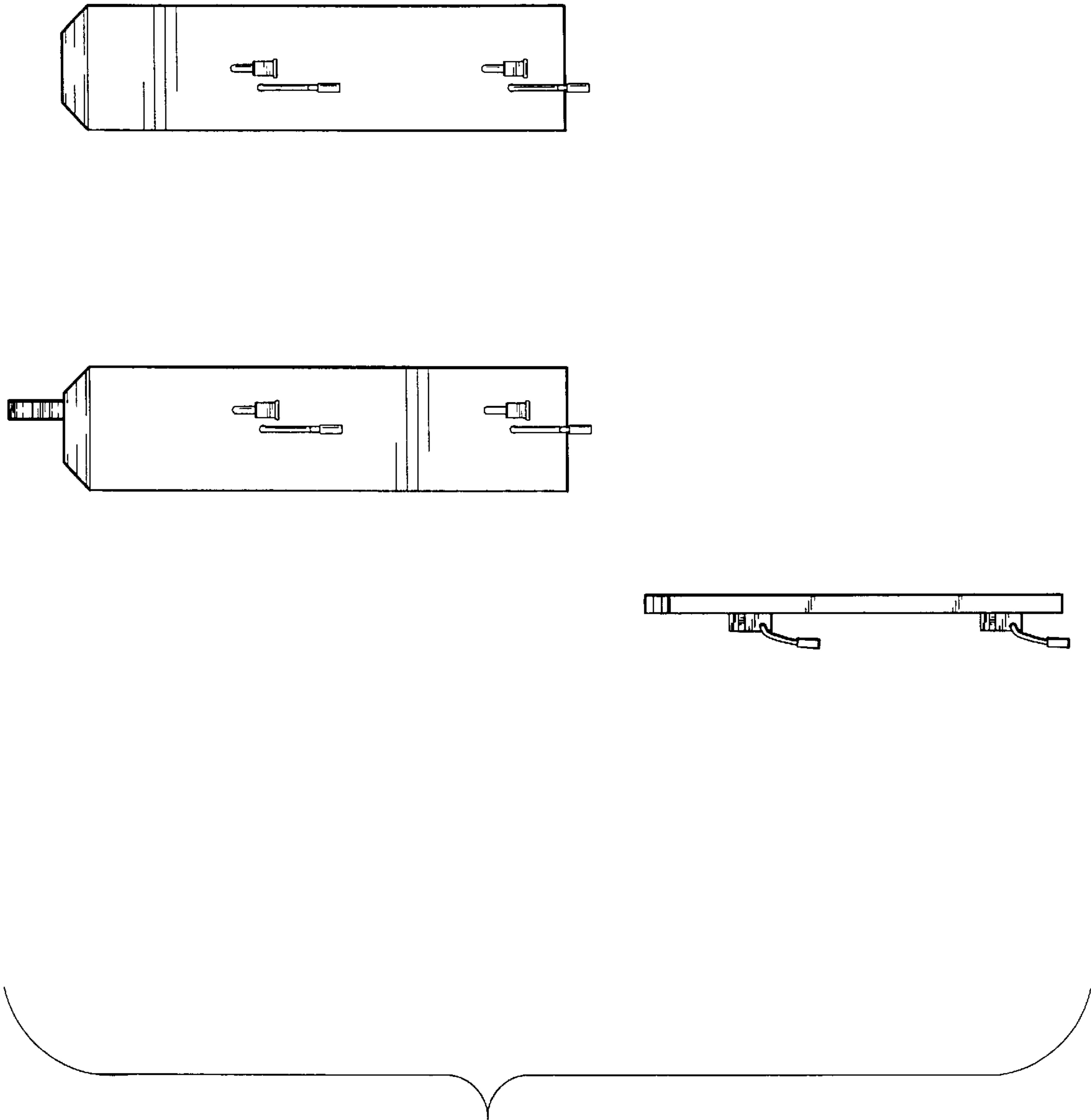


FIG. 5