



US00D407033S

United States Patent [19]

[11] **Patent Number: Des. 407,033**

Fors

[45] **Date of Patent: **Mar. 23, 1999**

[54] **THIEF PROTECTING ALARM TAG FOR GOODS IN SHOPS**

Primary Examiner—Marcus A. Jackson
Attorney, Agent, or Firm—Merchant, Gould, Smith, Edell, Welter & Schmidt

[75] Inventor: **Henry Fors, Sundbyberg, Sweden**

[57] **CLAIM**

[73] Assignee: **MW International Ltd., Surrey, United Kingdom**

The ornamental design for a thief protecting alarm tag for goods in shops, as shown and described.

[**] Term: **14 Years**

DESCRIPTION

[21] Appl. No.: **69,247**

FIG. 1 is a bottom plan view of a theft protection alarm tag for goods in shops, showing my new design;

[22] Filed: **Mar. 20, 1997**

FIG. 2 is a side elevational view with the opposite sides being a mirror image;

[30] **Foreign Application Priority Data**

Sep. 20, 1996 [SE] Sweden 96-1966

FIG. 3 is a top plan view thereof;

[51] **LOC (6) Cl.** **10-05**

FIG. 4 is a bottom plan view of a second embodiment thereof;

[52] **U.S. Cl.** **D10/106**

FIG. 5 is a side elevational view thereof, with opposite sides being a mirror image;

[58] **Field of Search** D10/104, 106, D10/116, 121; 340/506, 568, 571, 572, 573, 551

FIG. 6 is a top plan view thereof;

FIG. 7 is a bottom plan view of a third embodiment, wherein the cap is omitted;

[56] **References Cited**

U.S. PATENT DOCUMENTS

D. 346,126 4/1994 Hedrixx D10/106
D. 353,115 12/1994 Garner et al. D10/106

FIG. 8 is a side view of the subject matter of FIG. 7;

FIG. 9 is a top plan view of the subject matter in FIG. 8; and,

FIG. 10 is an exploded side elevational view, with opposite sides being a mirror image.

1 Claim, 4 Drawing Sheets

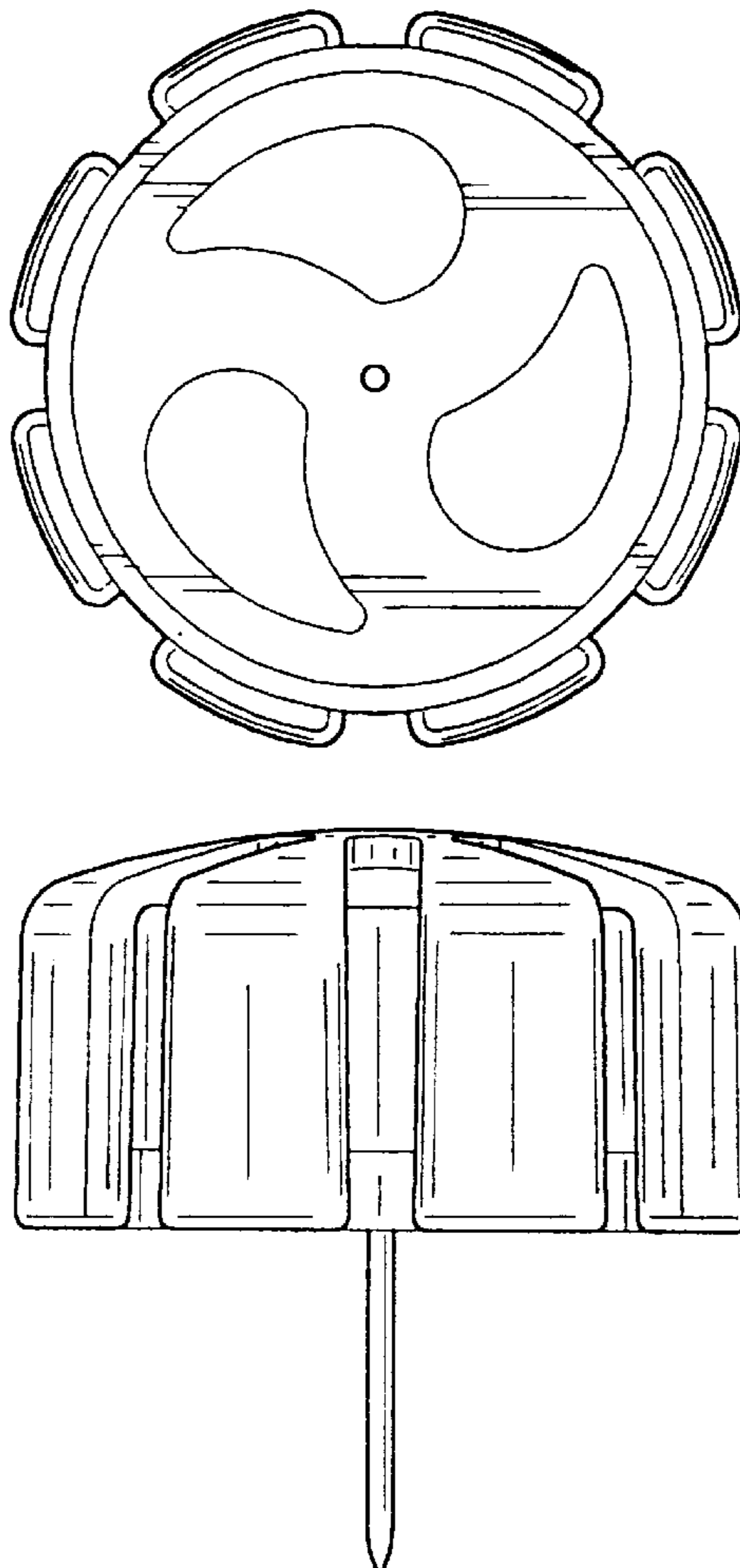


FIG. 1

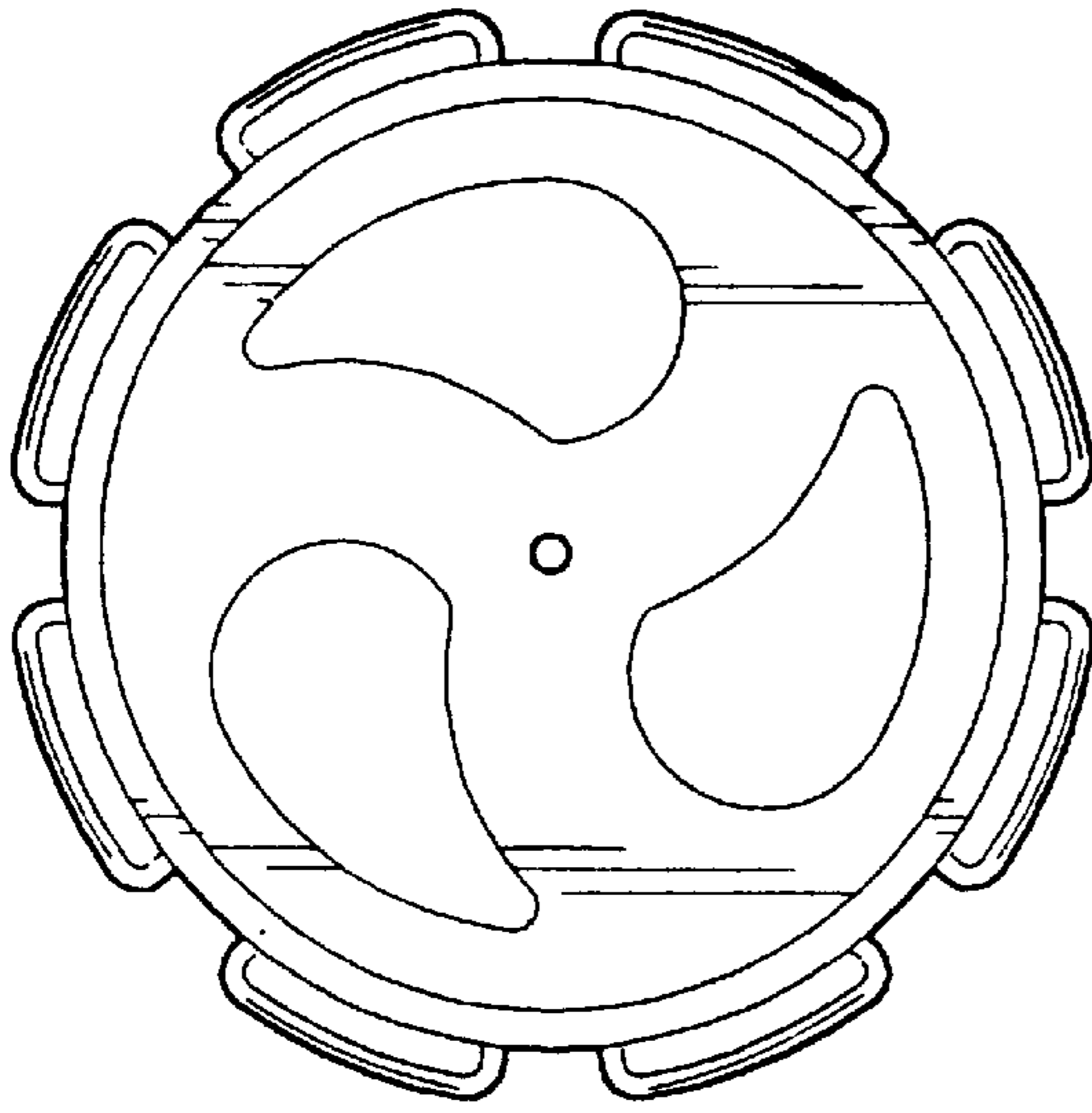


FIG. 2

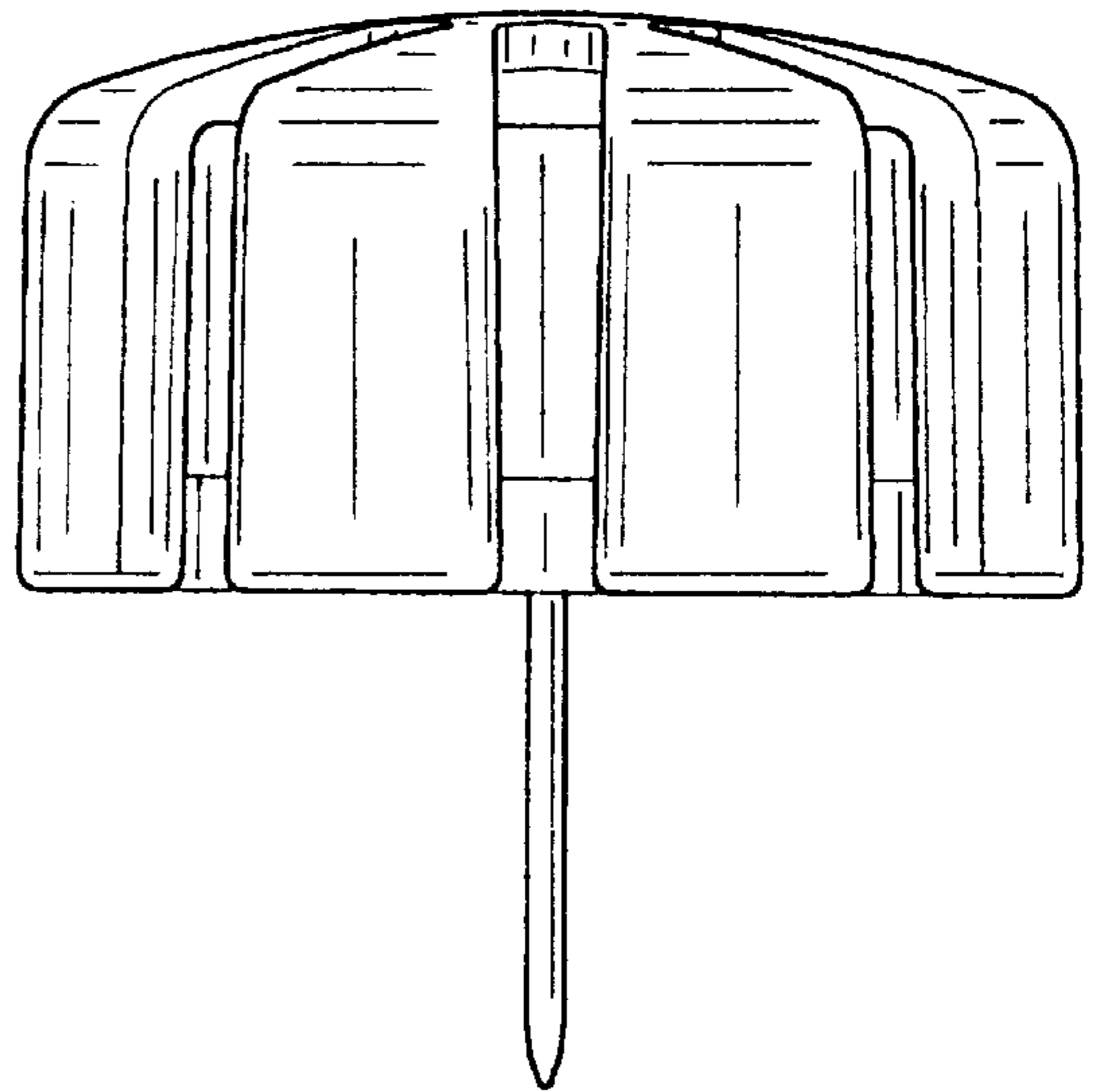


FIG. 3

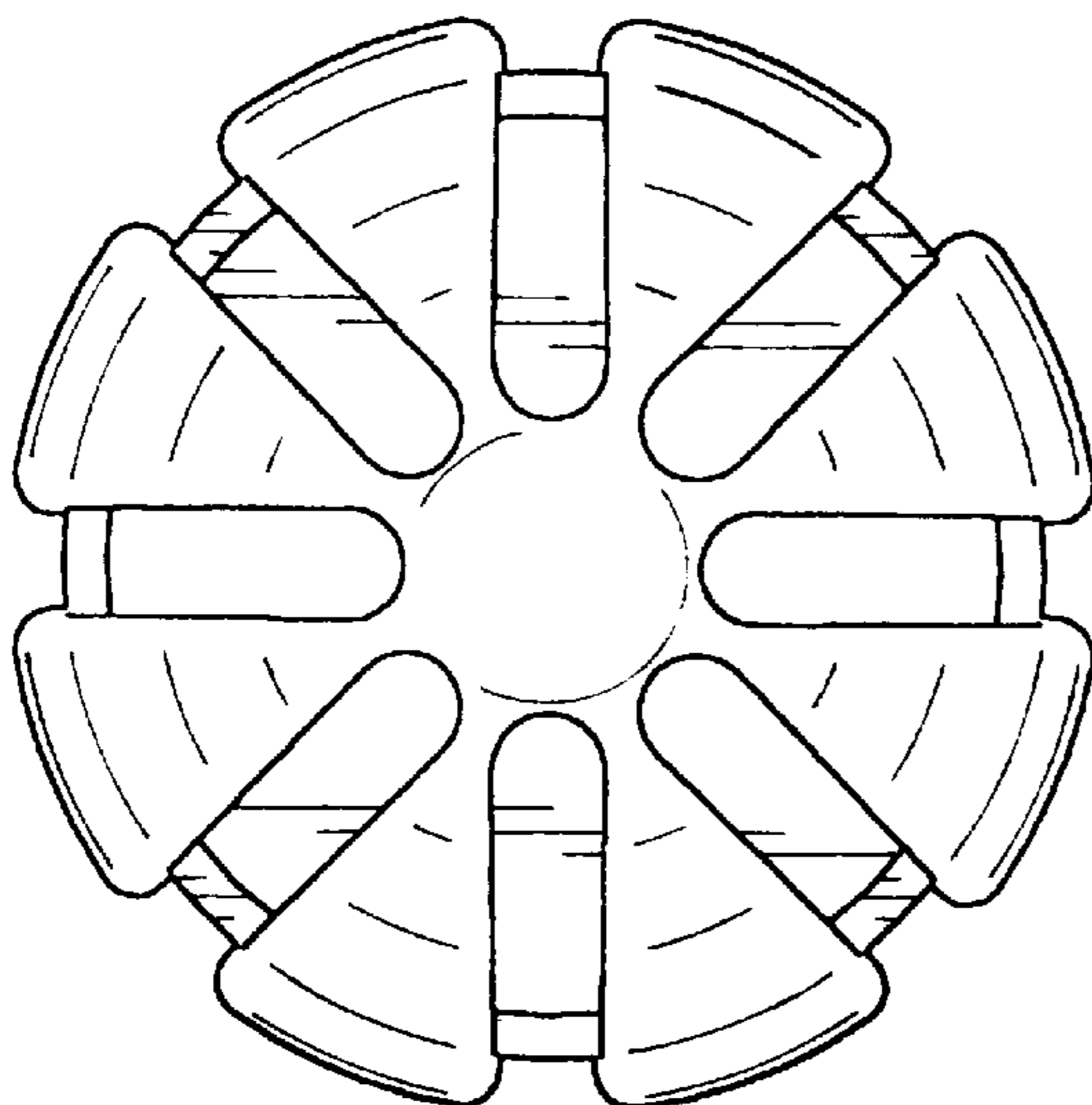


FIG. 4

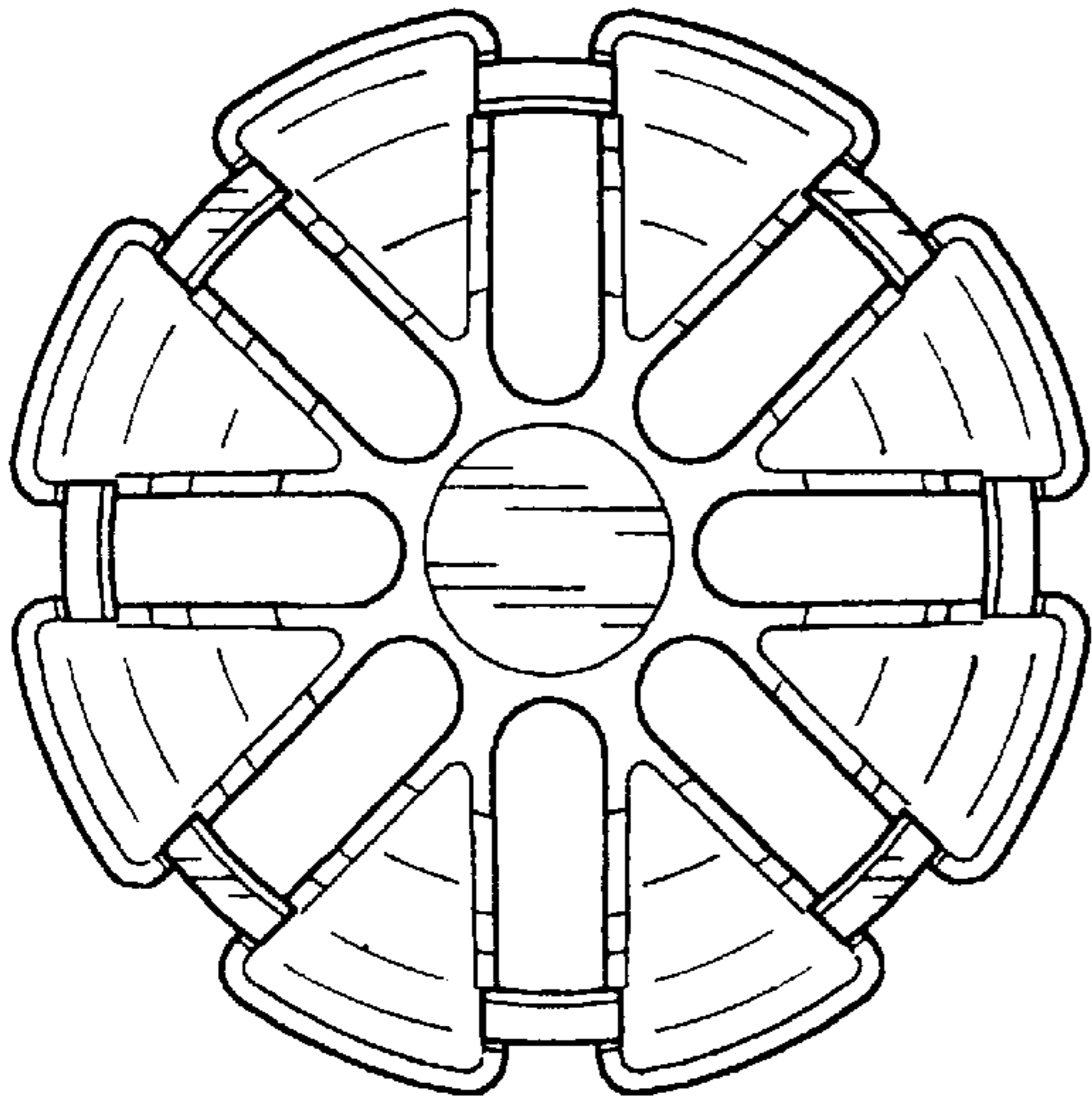


FIG. 5

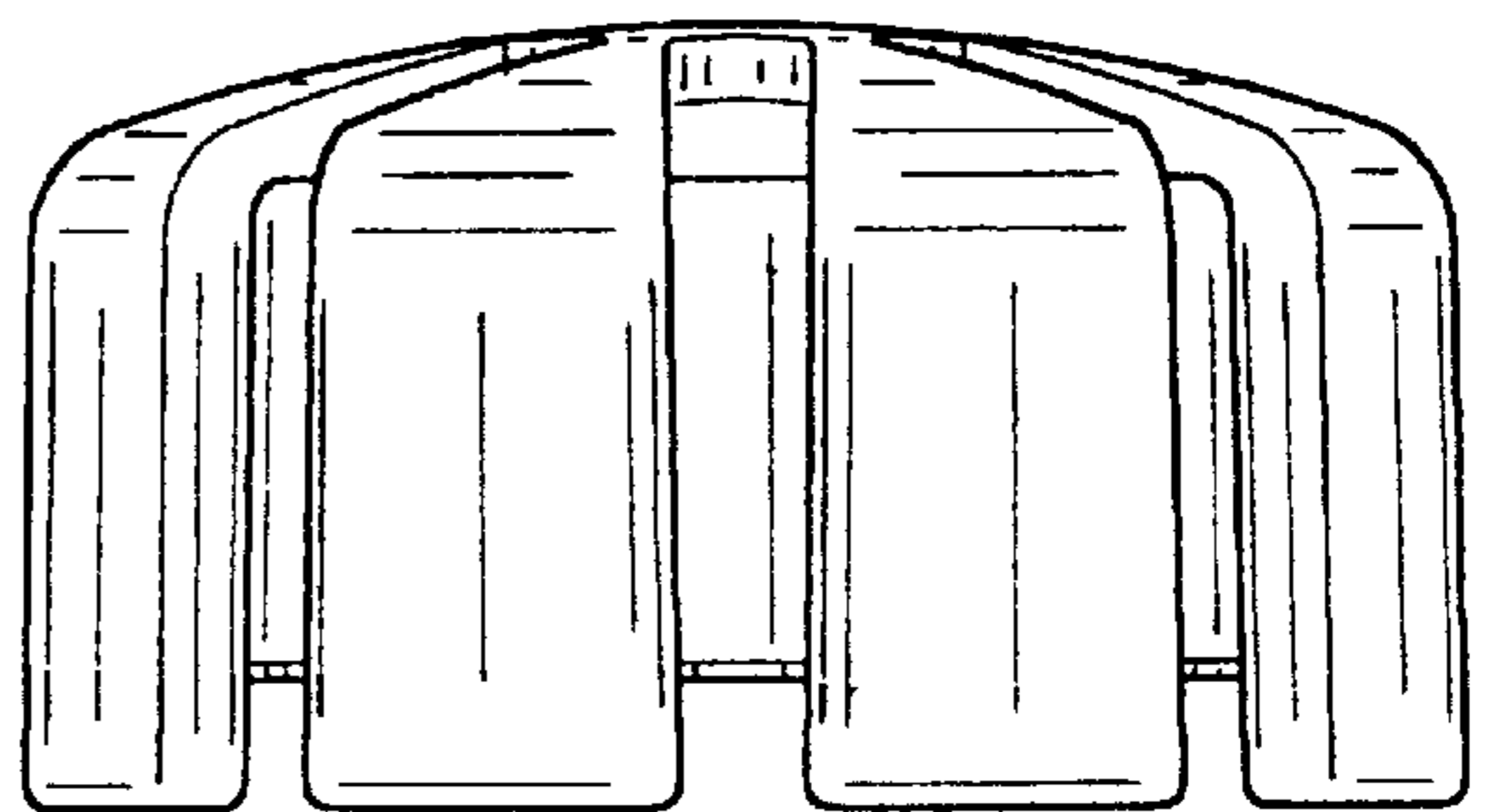


FIG. 6

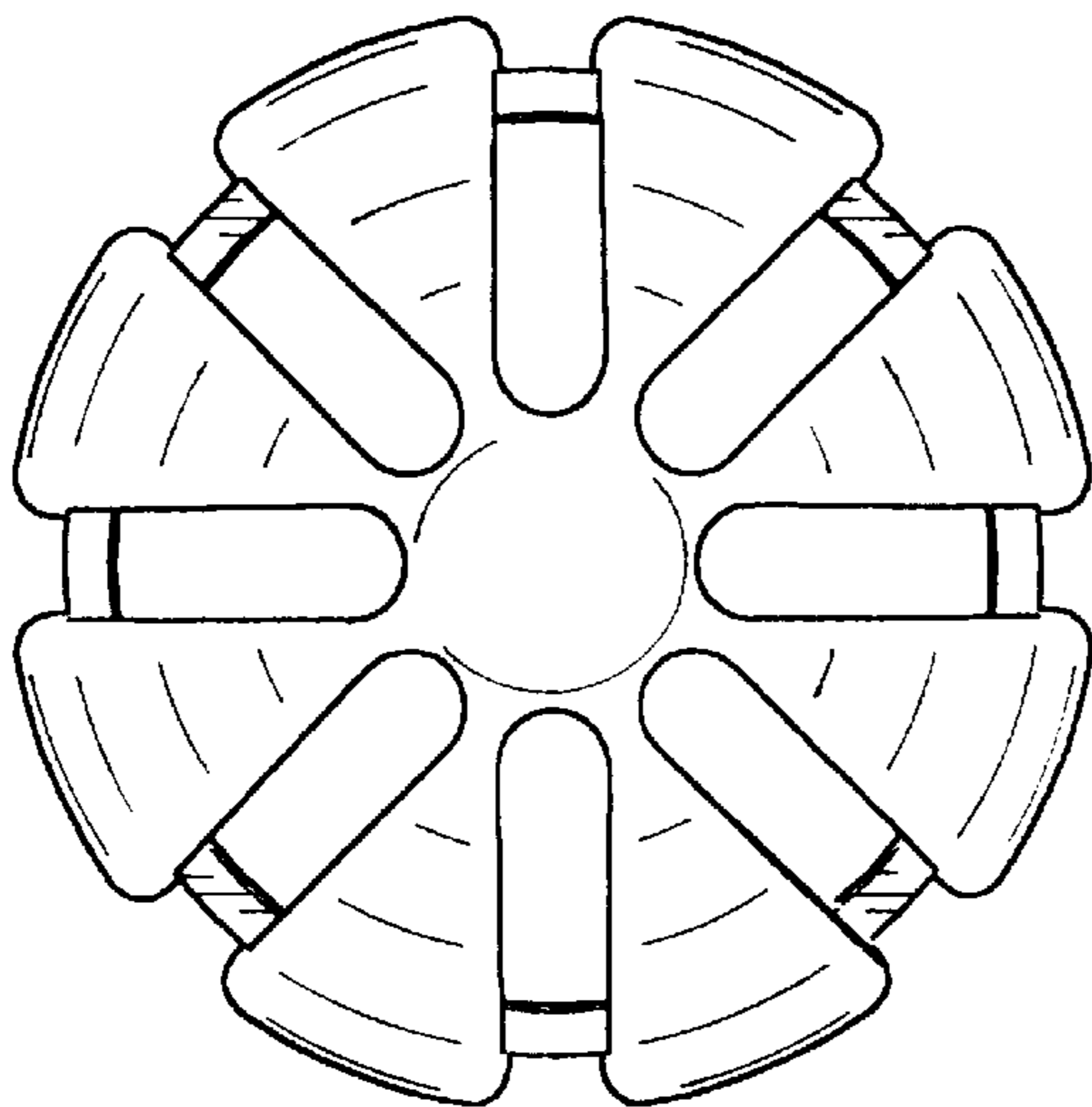


FIG. 7

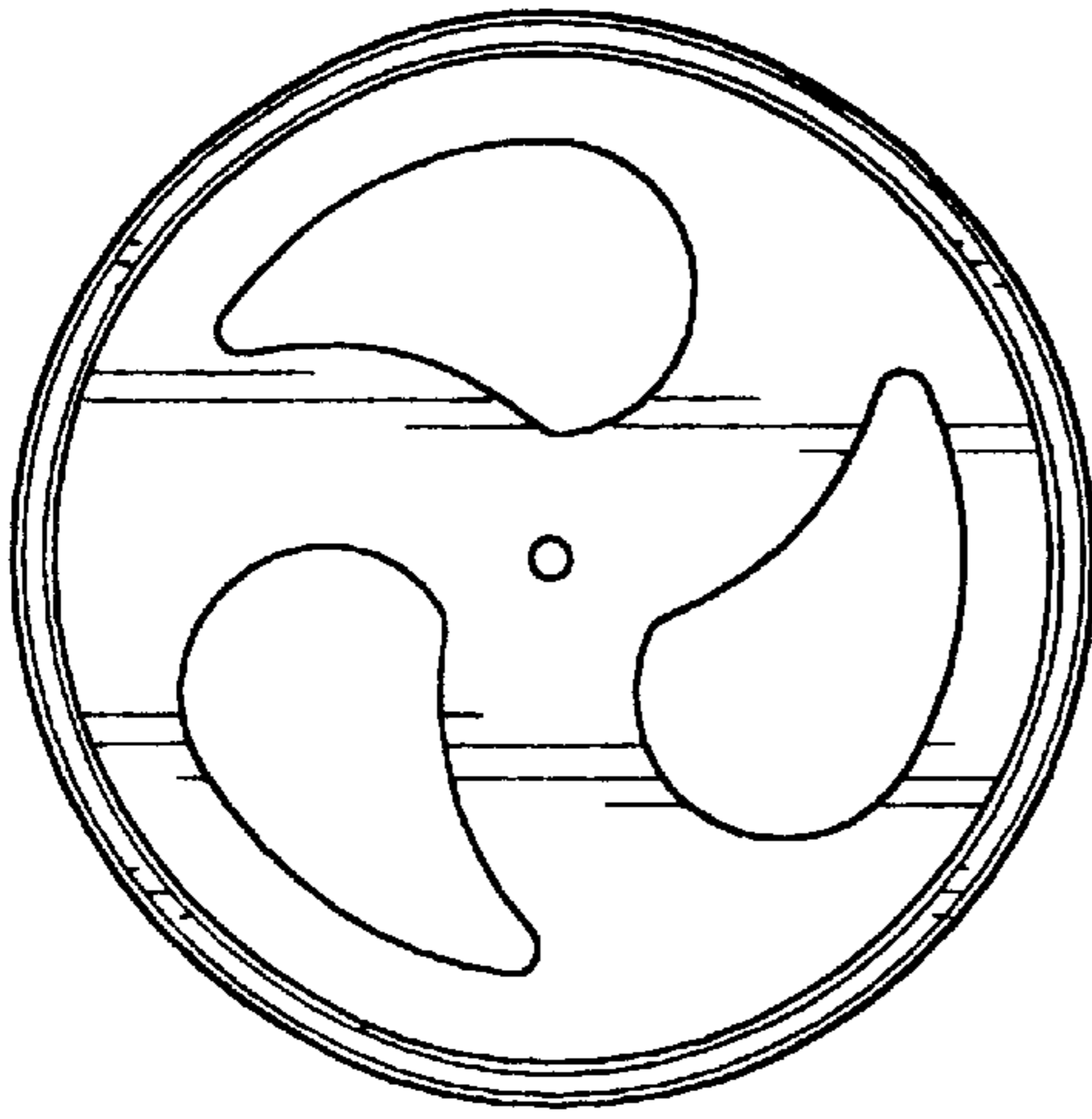


FIG. 8

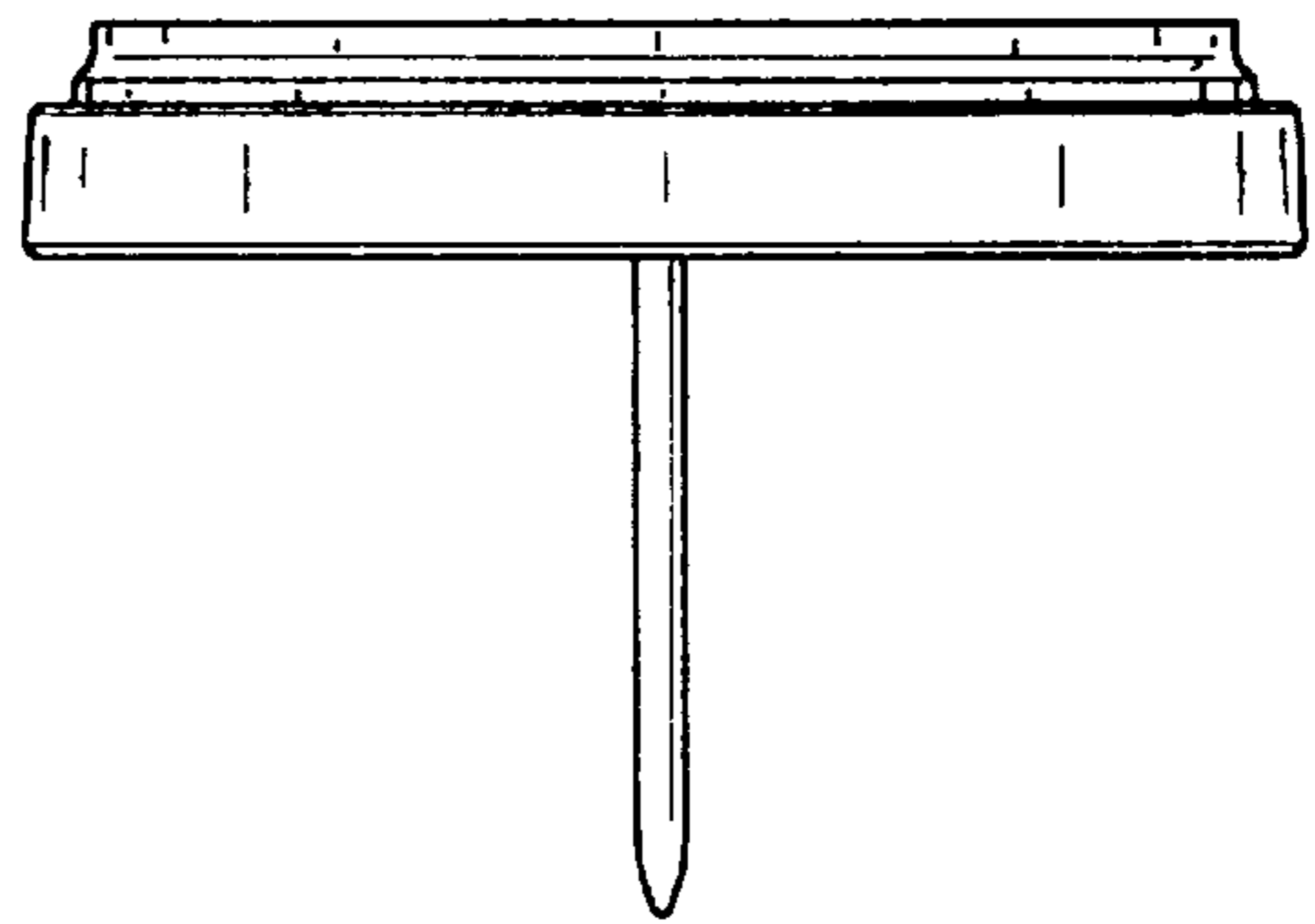


FIG. 9

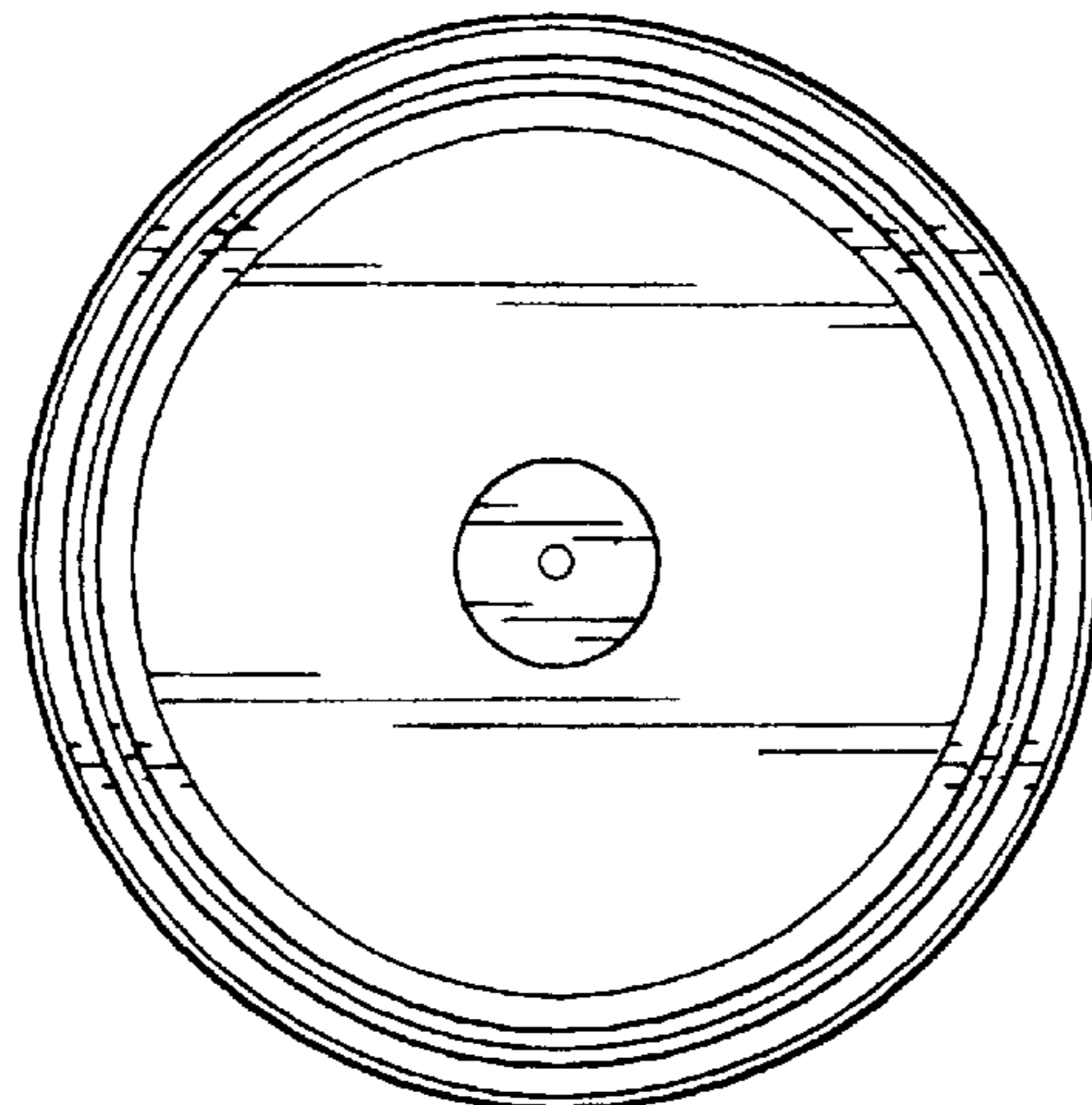


FIG. 10

