



US00D407027S

# United States Patent [19]

Kubo et al.

[11] **Patent Number: Des. 407,027**

[45] **Date of Patent: \*\*Mar. 23, 1999**

[54] **WATCH CASE**

D. 365,282 12/1995 Chodat ..... D10/30  
D. 394,400 5/1998 Iwamoto ..... D10/30

[75] Inventors: **Tatsuya Kubo**, Iruma; **Akira Tanaka**, Akishima, both of Japan

*Primary Examiner*—Nelson C. Holtje  
*Attorney, Agent, or Firm*—Frishauf, Holtz, Goodman, Langer & Chick

[73] Assignee: **Casio Keisanki Kabushiki Kaisha**, Tokyo, Japan

[57] **CLAIM**

[\*\*] Term: **14 Years**

The ornamental design for watch case, as shown and described.

[21] Appl. No.: **92,003**

**DESCRIPTION**

[22] Filed: **Aug. 11, 1998**

FIG. 1 is a front elevational view of watch case, showing our new design;

[51] **LOC (6) Cl.** ..... **10-02**

[52] **U.S. Cl.** ..... **D10/30; D10/38**

FIG. 2 is a top plan view thereof; the opposite side being a mirror image thereof;

[58] **Field of Search** ..... D10/1-40, 122-132;  
368/280-282, 276-277, 28-30, 285, 239-242,  
82-84, 41-44

FIG. 3 is a rear elevational view thereof;

FIG. 4 is a right side elevational view thereof; the opposite side being a mirror image thereof; and,

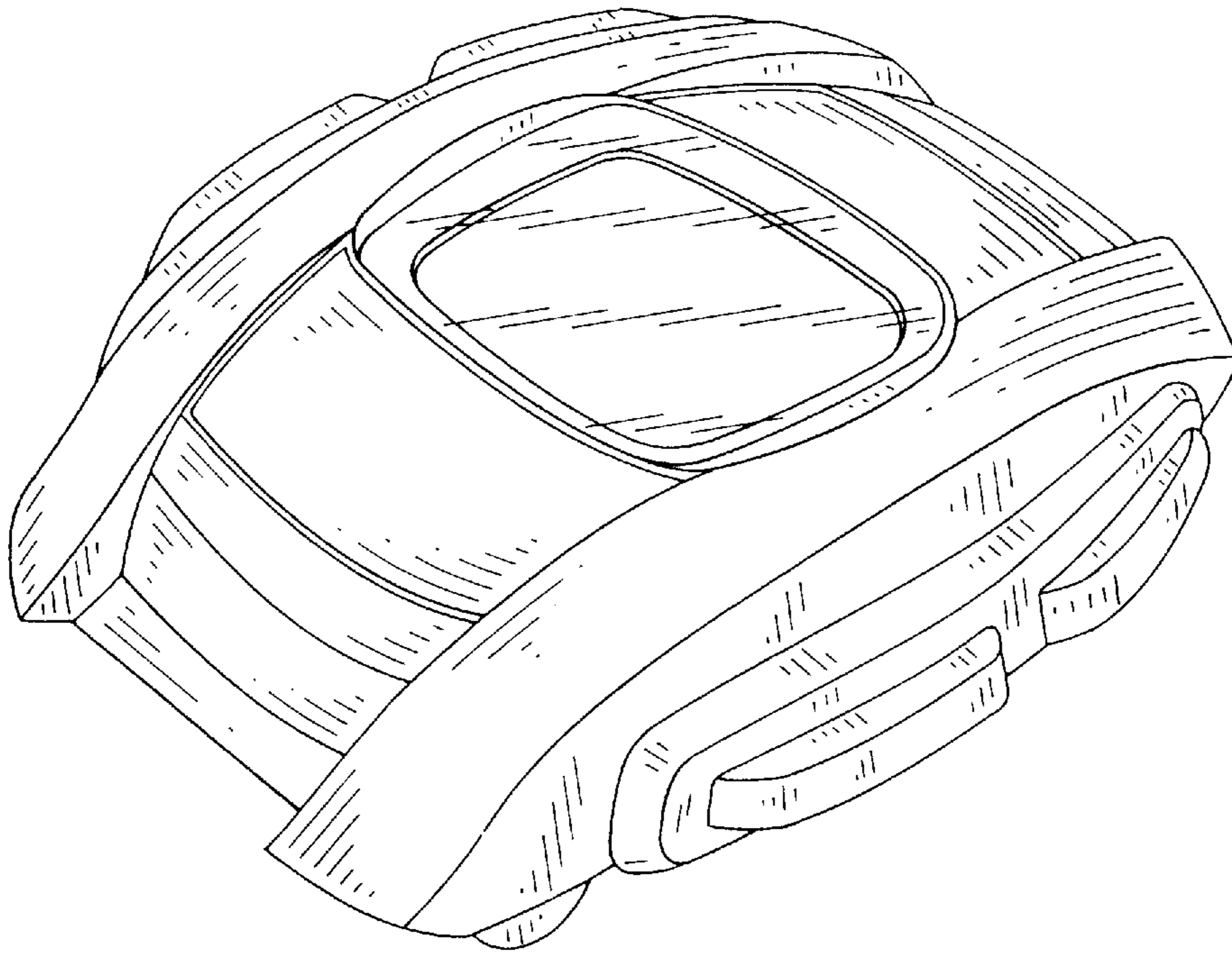
FIG. 5 is a front, bottom and right side perspective view thereof.

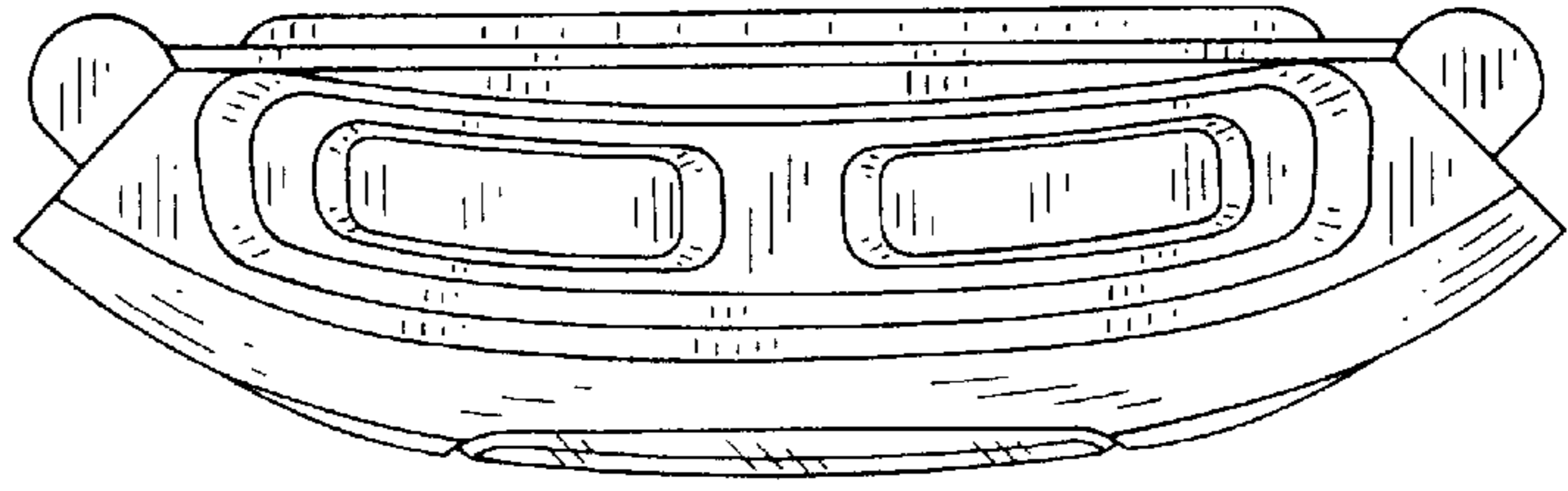
[56] **References Cited**

**U.S. PATENT DOCUMENTS**

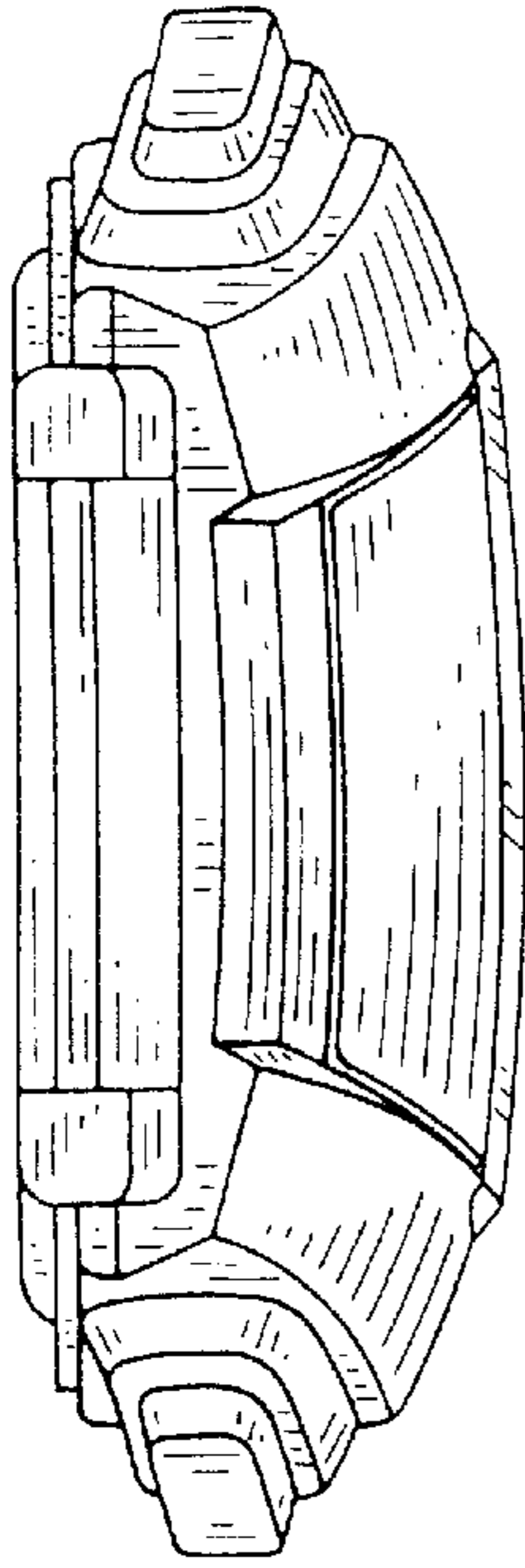
D. 251,829 5/1979 Sulek ..... D10/32  
D. 328,870 8/1992 Chodat ..... D10/30

**1 Claim, 2 Drawing Sheets**

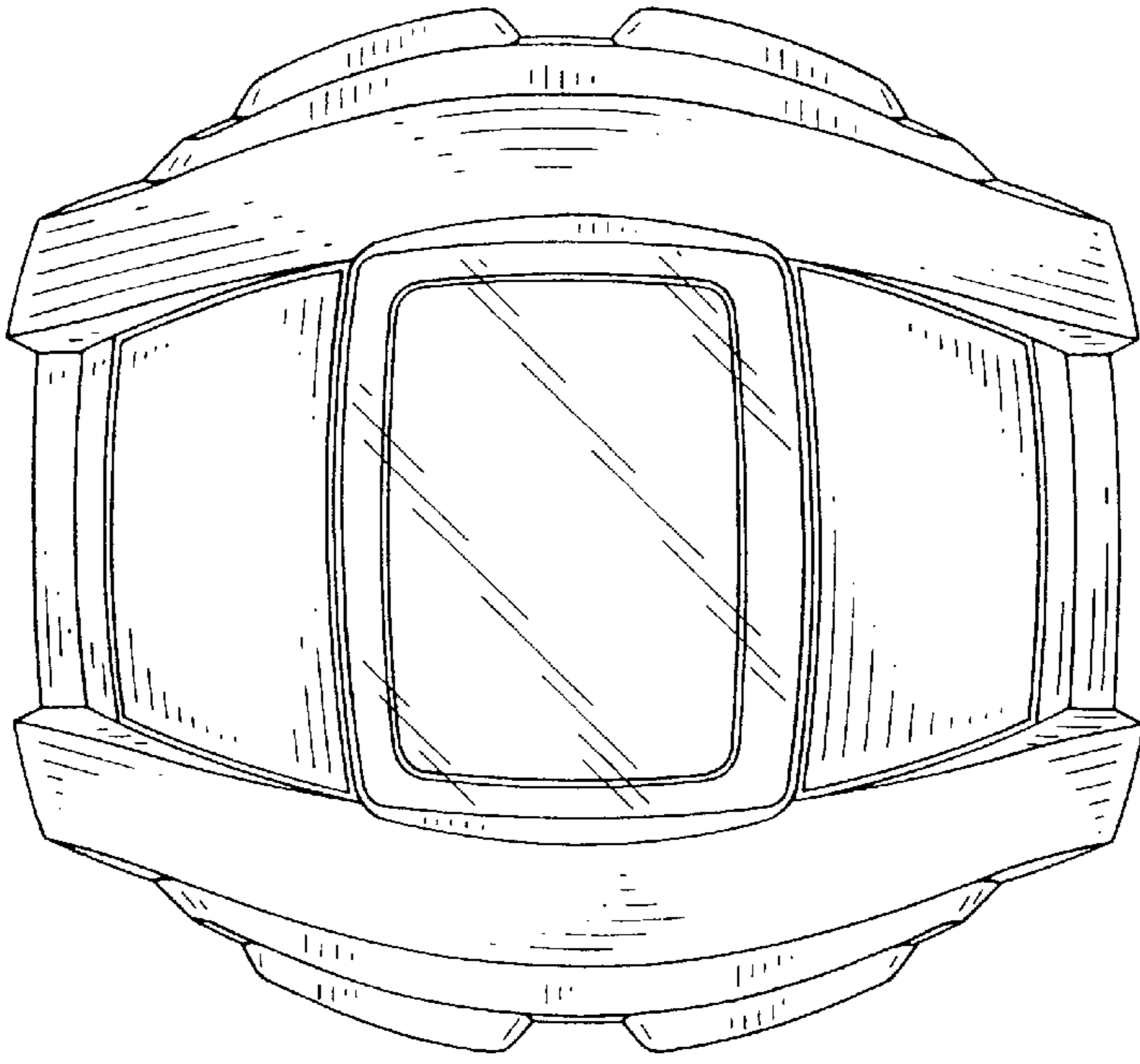




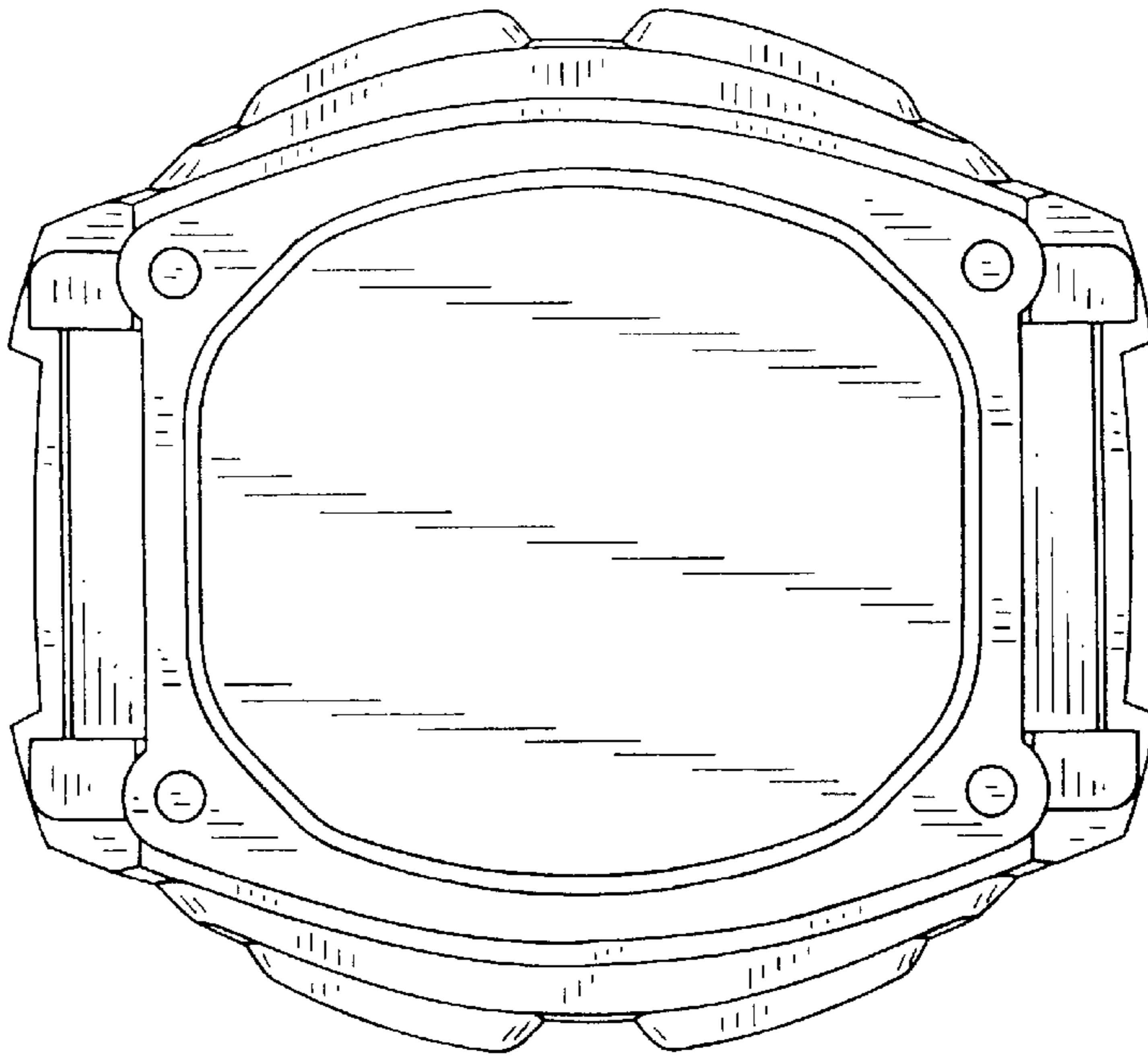
*Fig. 4*



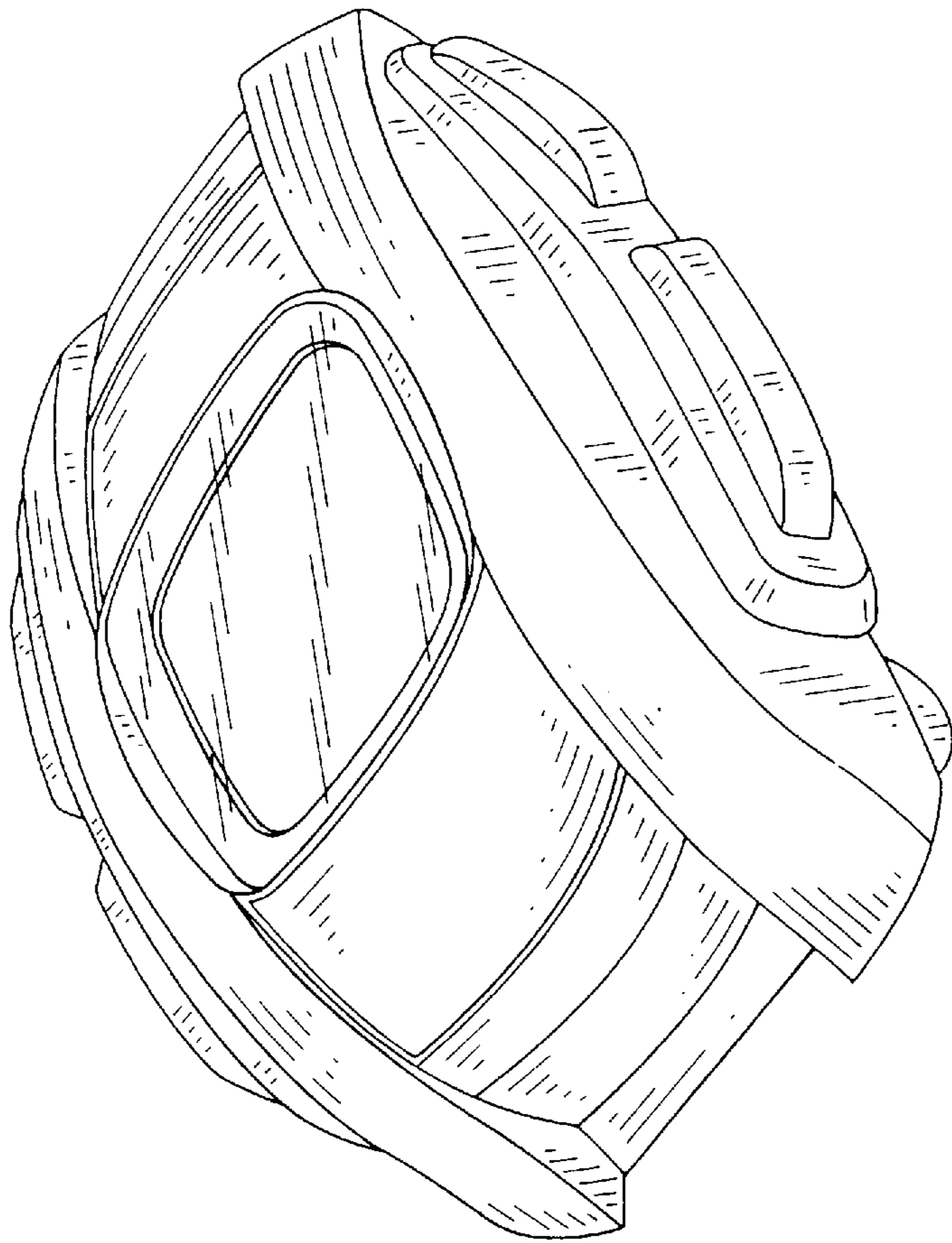
*Fig. 2*



*Fig. 1*



*Fig. 3*



*Fig. 5*