



US00D407024S

# United States Patent [19] Kuo

[11] Patent Number: Des. 407,024

[45] Date of Patent: \*\*Mar. 23, 1999

[54] ALARM CLOCK

[76] Inventor: **Chu-Rong Kuo**, 12F, No. 367, Han Kou Road., Sec. 4, Taichung, Taiwan

[\*\*] Term: **14 Years**

[21] Appl. No.: **87,001**

[22] Filed: **Apr. 24, 1998**

[51] LOC (6) Cl. .... **10-01**

[52] U.S. Cl. .... **D10/8; D10/24**

[58] Field of Search ..... D10/1-40, 122-132; 368/276, 277, 288, 317-318; D21/155, 178

[56] **References Cited**

**U.S. PATENT DOCUMENTS**

- D. 174,836 5/1955 Punzak ..... D10/8
- D. 181,966 1/1958 Esch ..... D10/8
- D. 325,172 4/1992 Nomura ..... D10/24

- D. 327,019 6/1992 Hiraike ..... D10/7
- D. 391,173 2/1998 Wang ..... D10/7
- D. 396,414 7/1998 Kuo ..... D10/6

*Primary Examiner*—Nelson C. Holtjie  
*Attorney, Agent, or Firm*—Browdy and Neimark

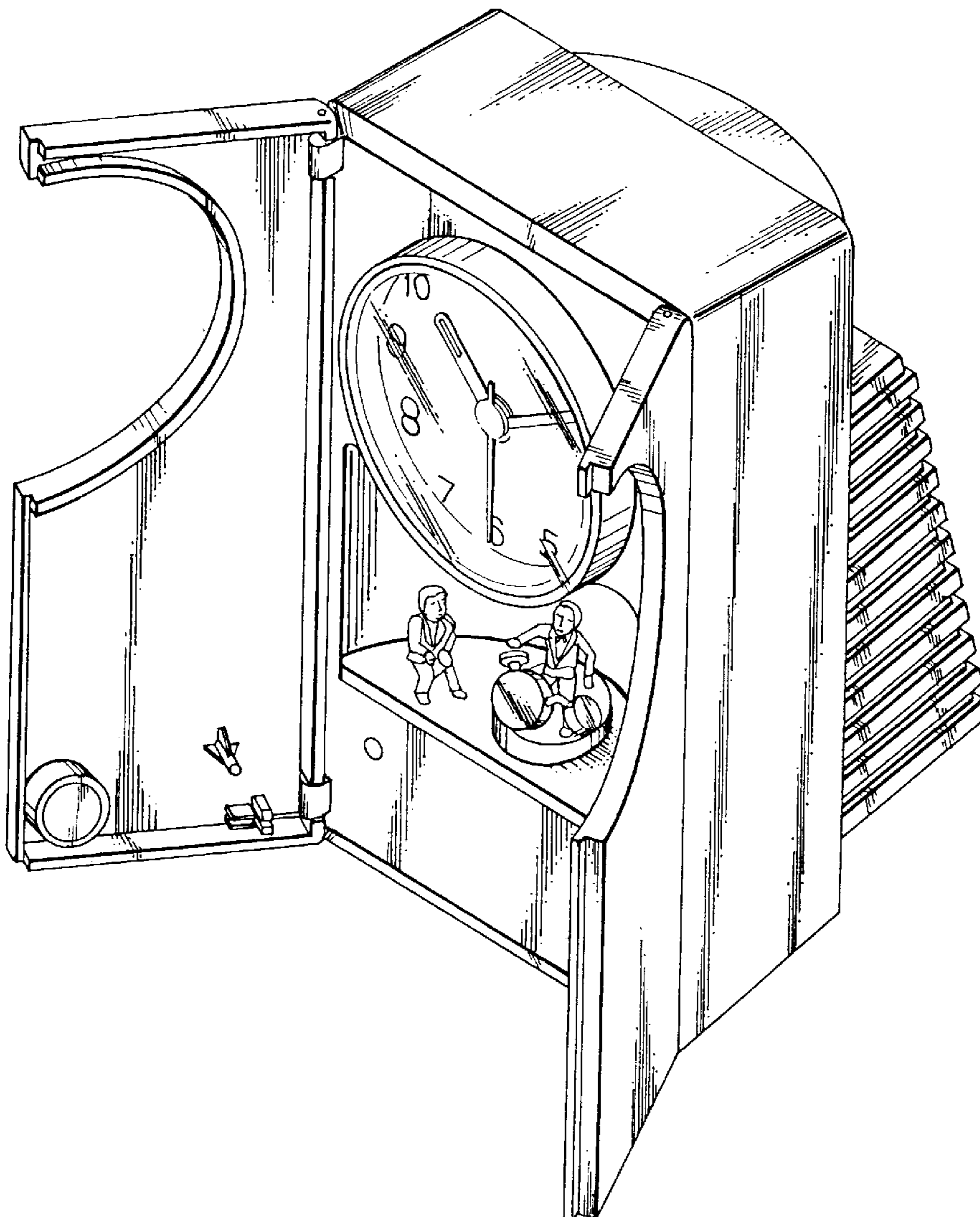
[57] **CLAIM**

The ornamental design for a “alarm clock”, as shown and described.

**DESCRIPTION**

FIG. 1 shows a perspective view of the present design; FIG. 2 shows a front elevational view of the present design; FIG. 3 shows a rear elevational view of the present design; FIG. 4 shows a left elevational view of the present design; FIG. 5 shows a right elevational view of the present design; FIG. 6 shows a top plan view of the present design; and, FIG. 7 shows a bottom plan view of the present design.

**1 Claim, 4 Drawing Sheets**



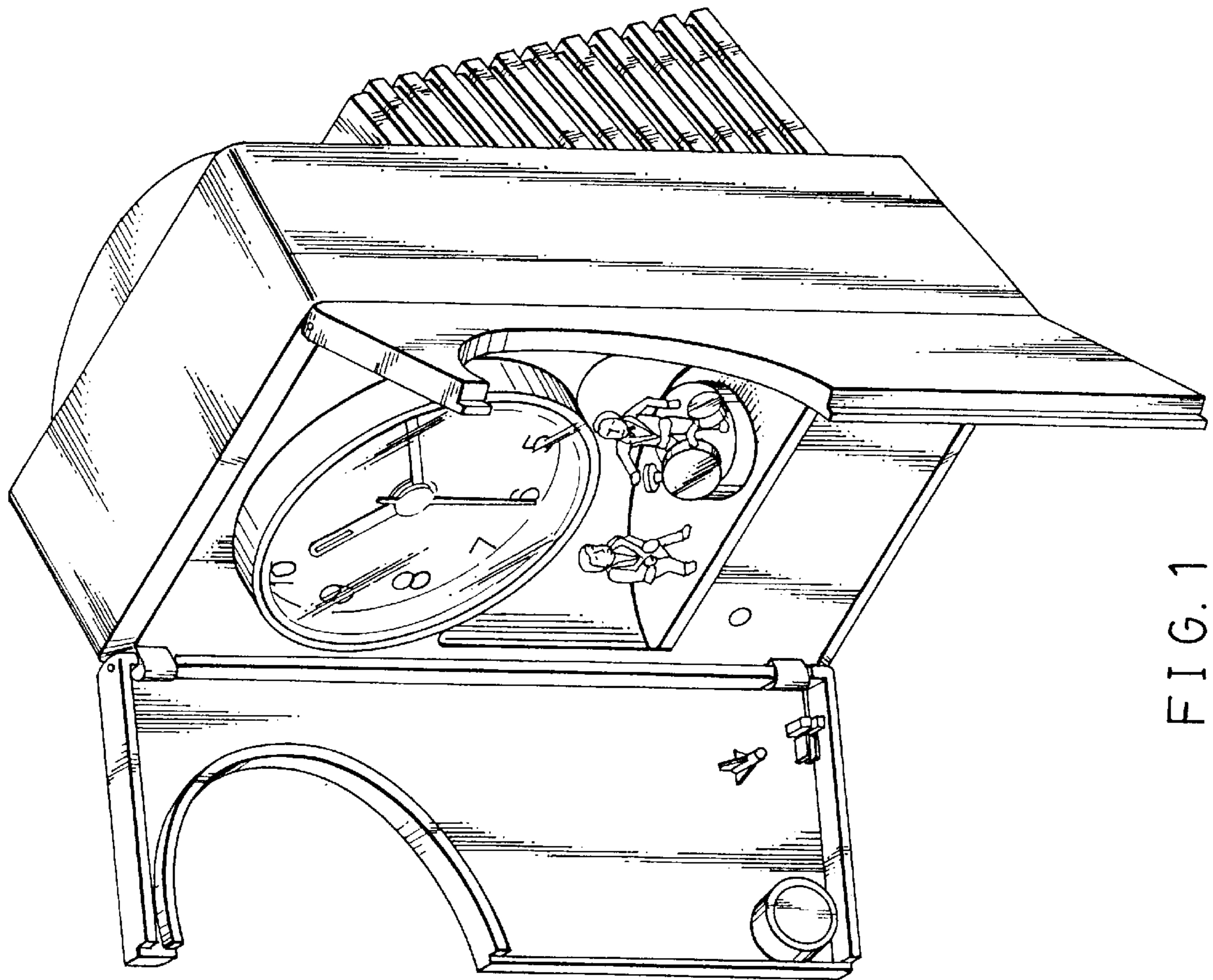


FIG. 1

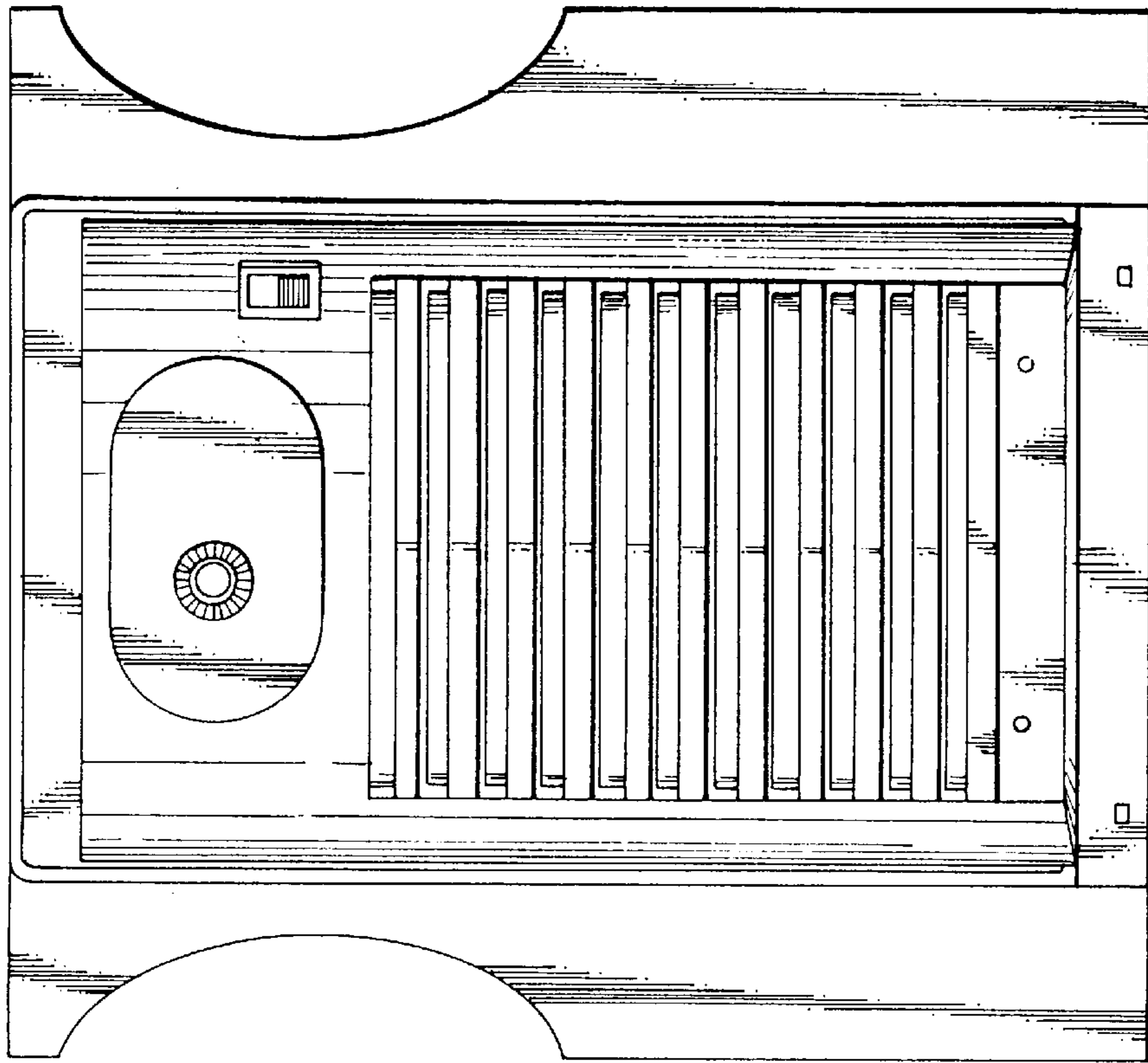


FIG. 3

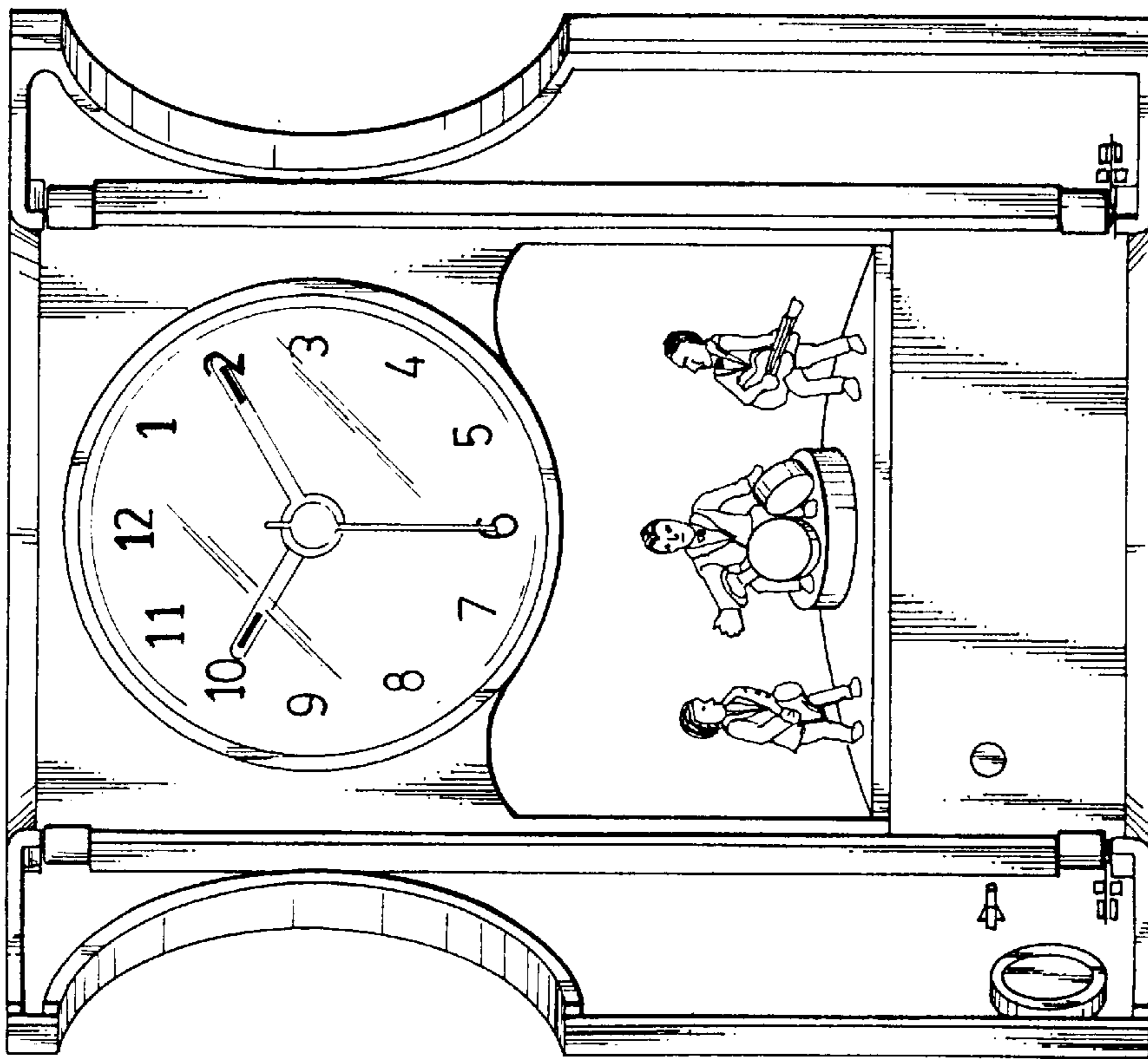


FIG. 2



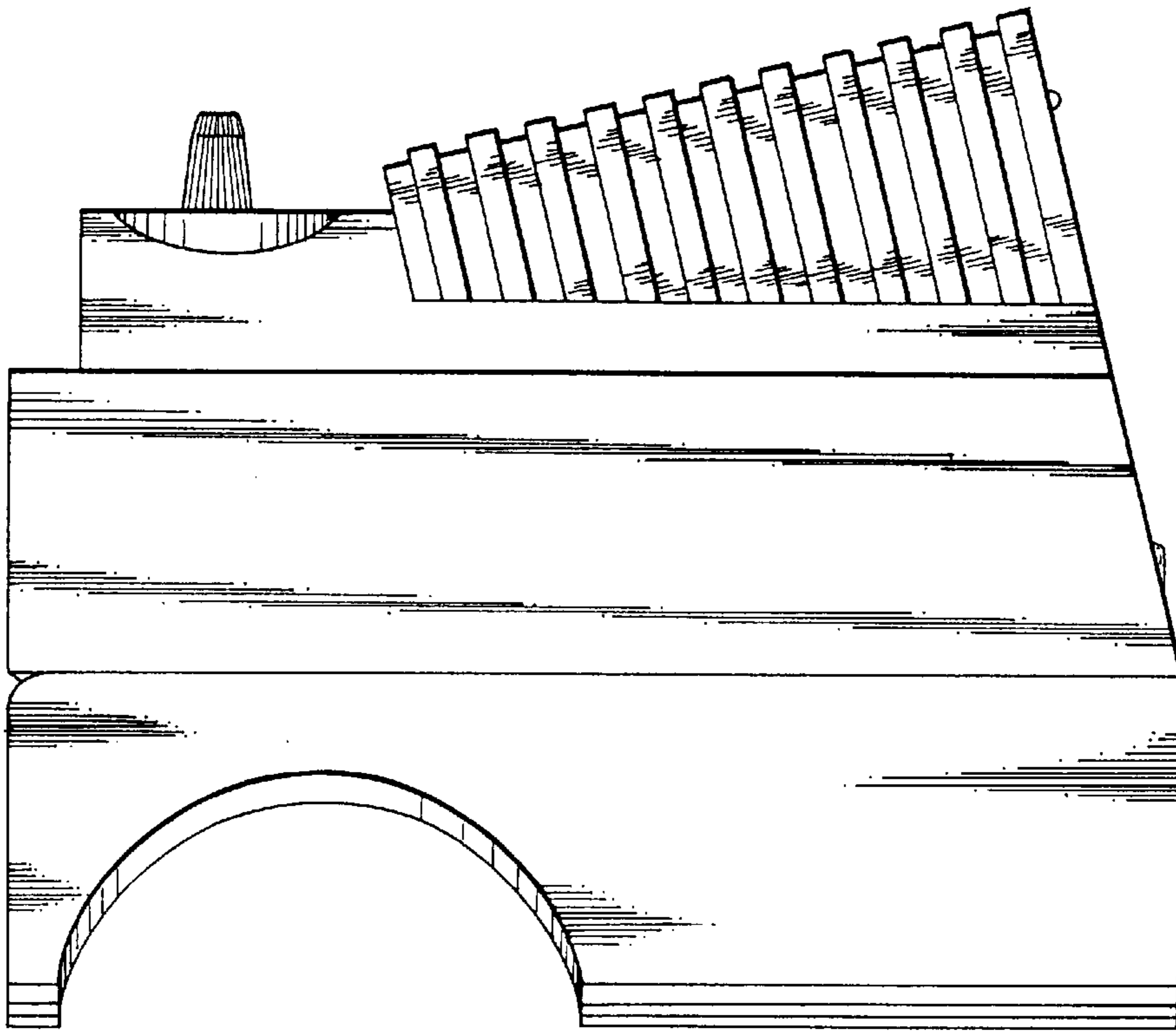


FIG. 5

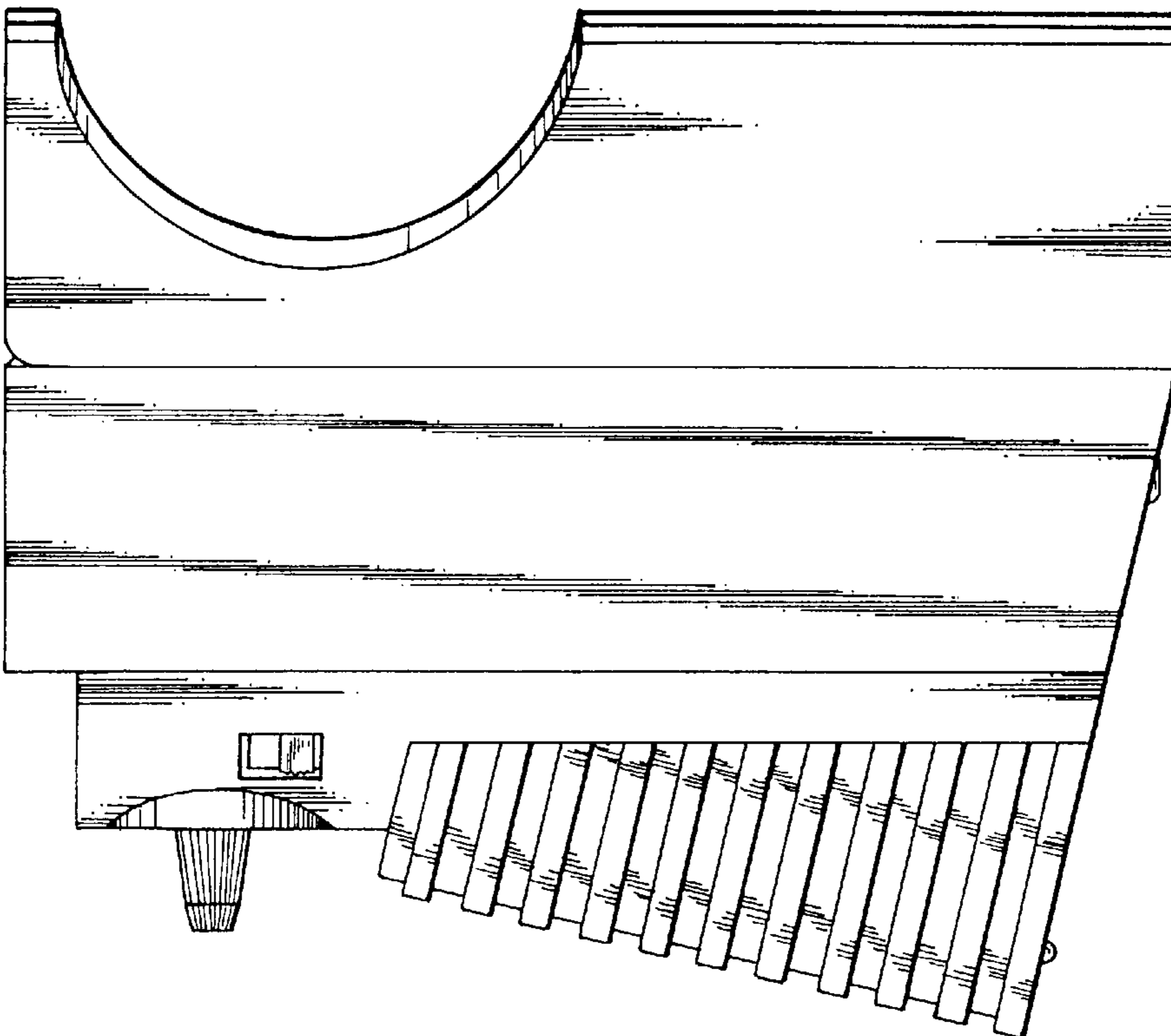


FIG. 4

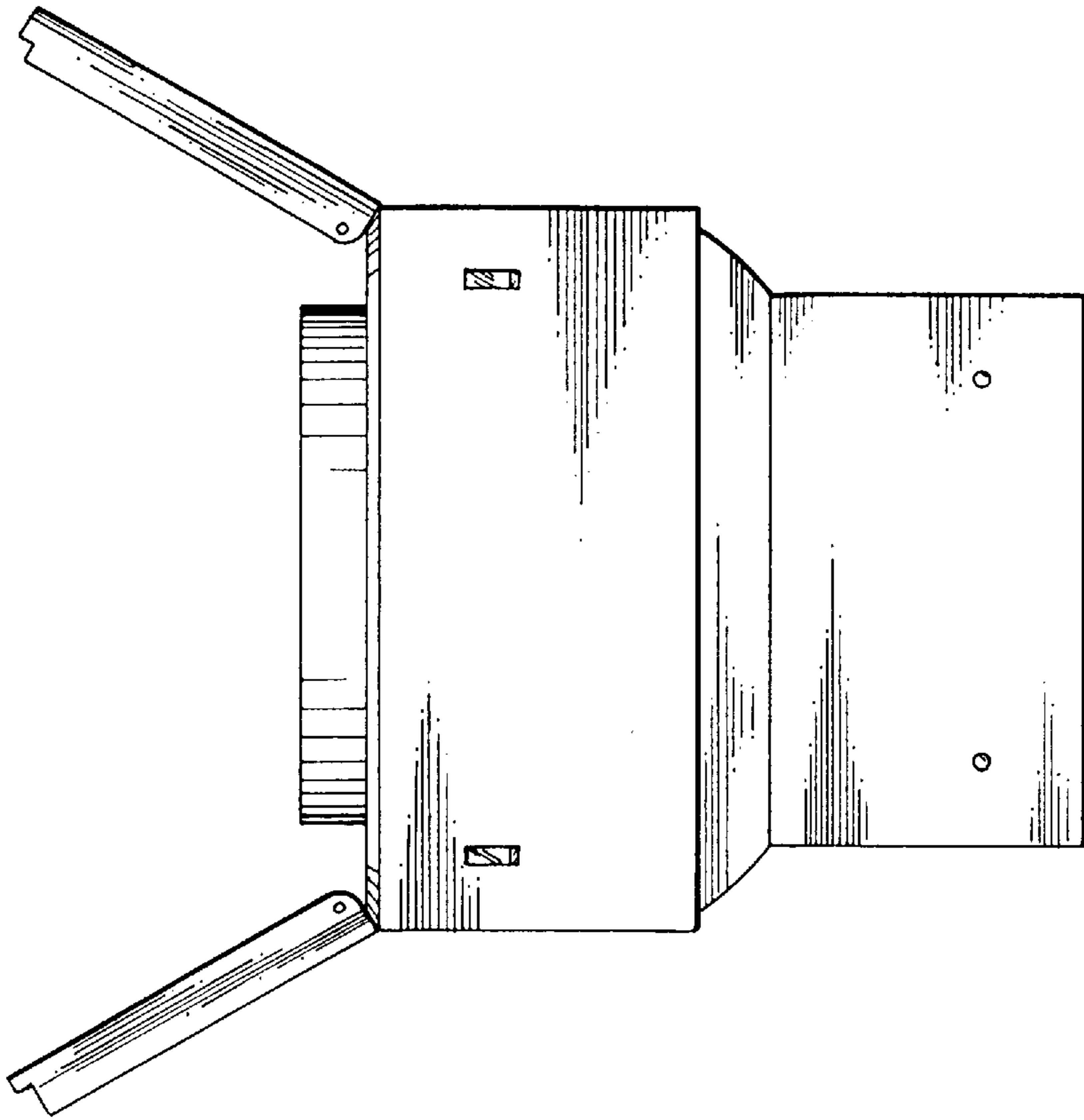


FIG. 7

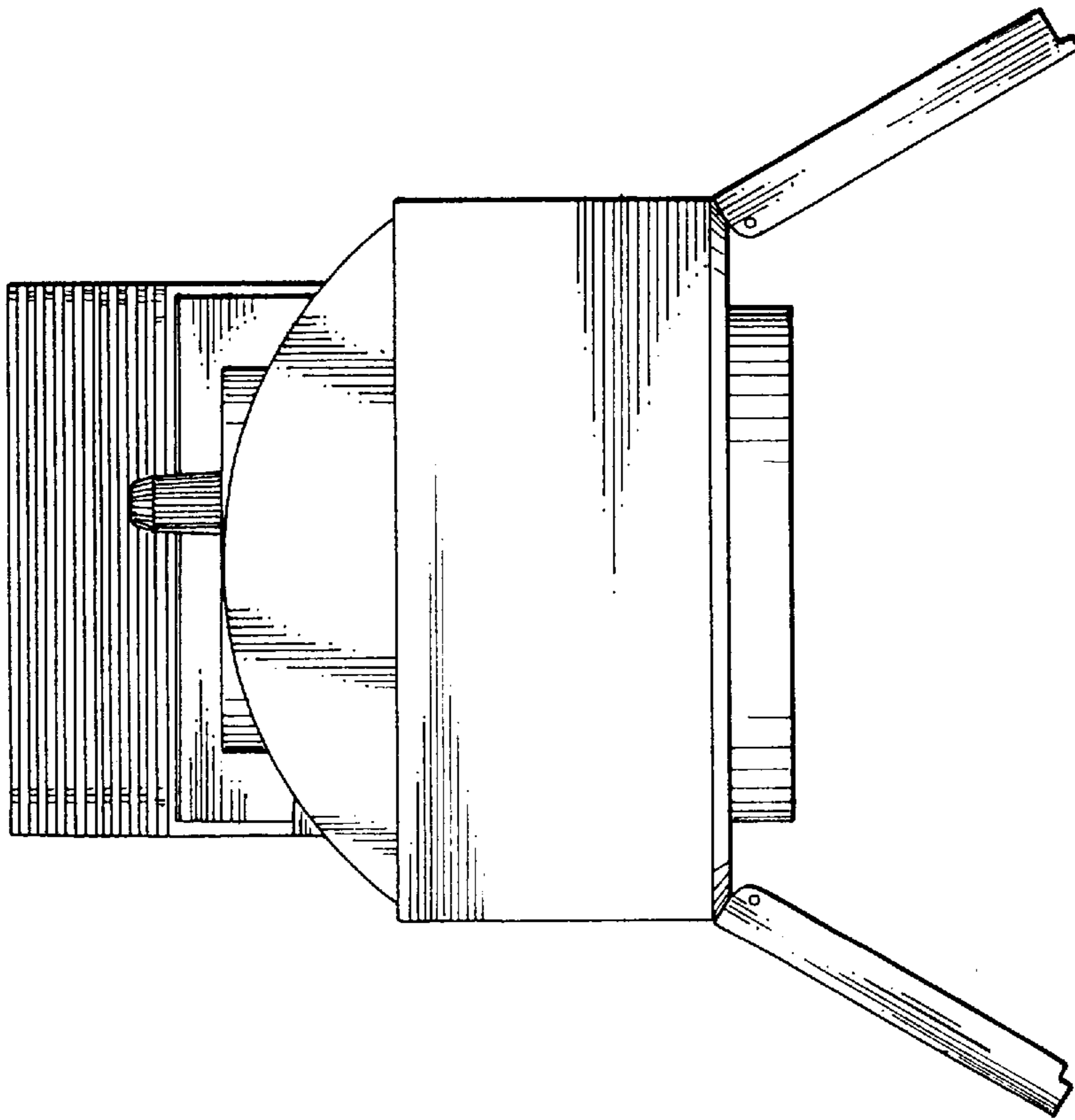


FIG. 6