



US00D407022S

United States Patent [19] Kuo

[11] **Patent Number: Des. 407,022**

[45] **Date of Patent: **Mar. 23, 1999**

[54] **ALARM CLOCK**

[76] Inventor: **Chu-Rong Kuo**, 12F, No. 367, Han Kou Road, Sec. 4, Taichung, Taiwan

[**] Term: **14 Years**

[21] Appl. No.: **88,658**

[22] Filed: **May 29, 1998**

[51] **LOC (6) Cl. 10-01**

[52] **U.S. Cl. D10/6; D10/33**

[58] **Field of Search D10/1-40, 122-132; 368/285, 10; D14/100, 113, 168, 170**

[56] **References Cited**

U.S. PATENT DOCUMENTS

- D. 184,696 3/1959 Tara D10/2
- D. 190,244 5/1961 Gilbert D10/2
- D. 197,617 3/1964 Shanck .
- D. 290,958 7/1987 Kawata D14/79

- D. 384,894 10/1997 Tsuci D10/6
- D. 385,802 11/1997 Joräs D10/33
- D. 391,872 3/1998 Sugarman D10/33
- D. 392,899 3/1998 Cazbnavie D10/6

Primary Examiner—Nelson C. Holtje
Attorney, Agent, or Firm—Browdy and Neimark

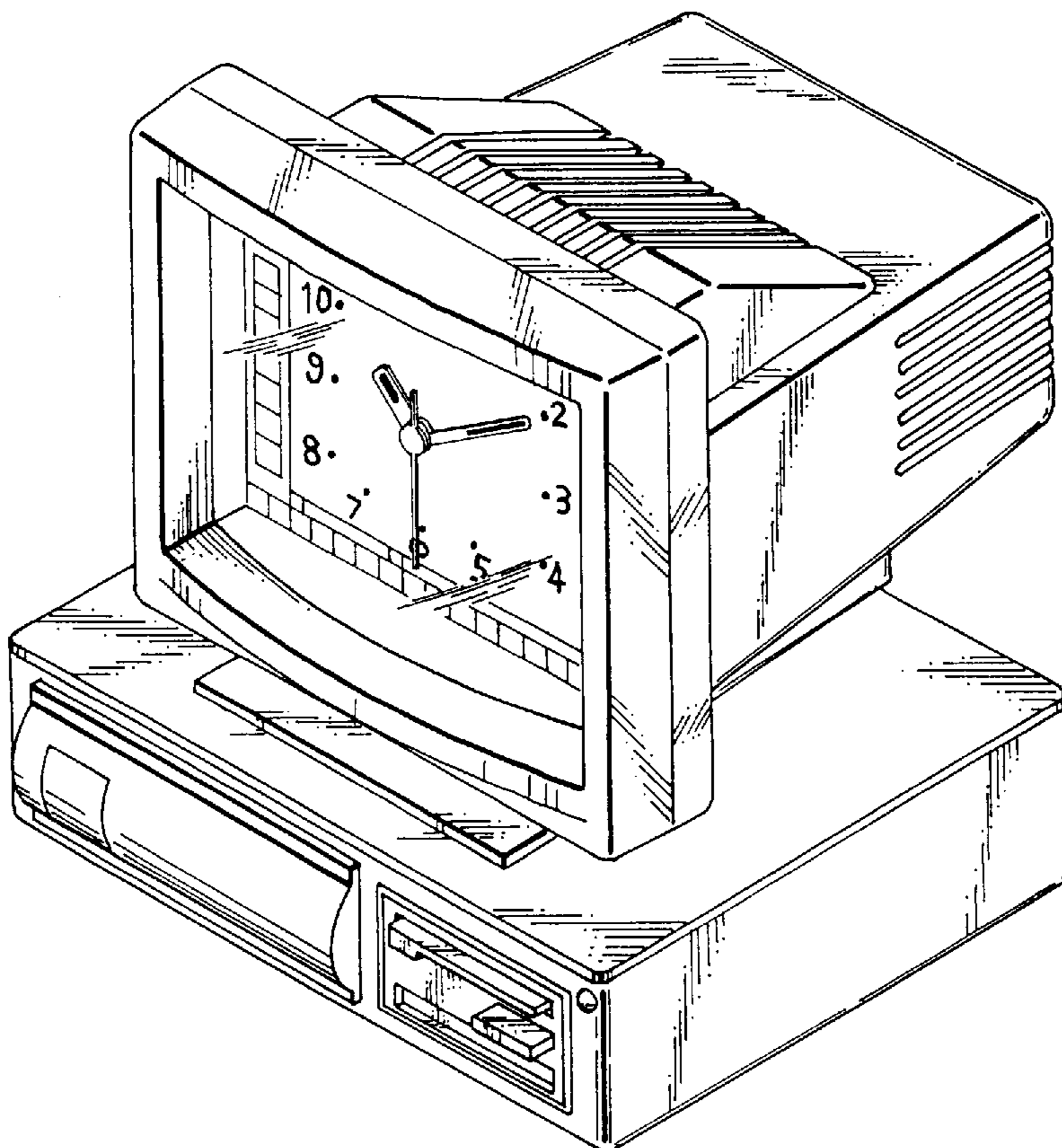
[57] **CLAIM**

The ornamental design for a “alarm clock,” as shown and described.

DESCRIPTION

FIG. 1 shows a perspective view of the present design; FIG. 2 shows a front elevational view of the present design; FIG. 3 shows a rear elevational view of the present design; FIG. 4 shows a left elevational view of the present design; FIG. 5 shows a right elevational view of the present design; FIG. 6 shows a top plan view of the present design; and, FIG. 7 shows a bottom plan view of the present design.

1 Claim, 4 Drawing Sheets



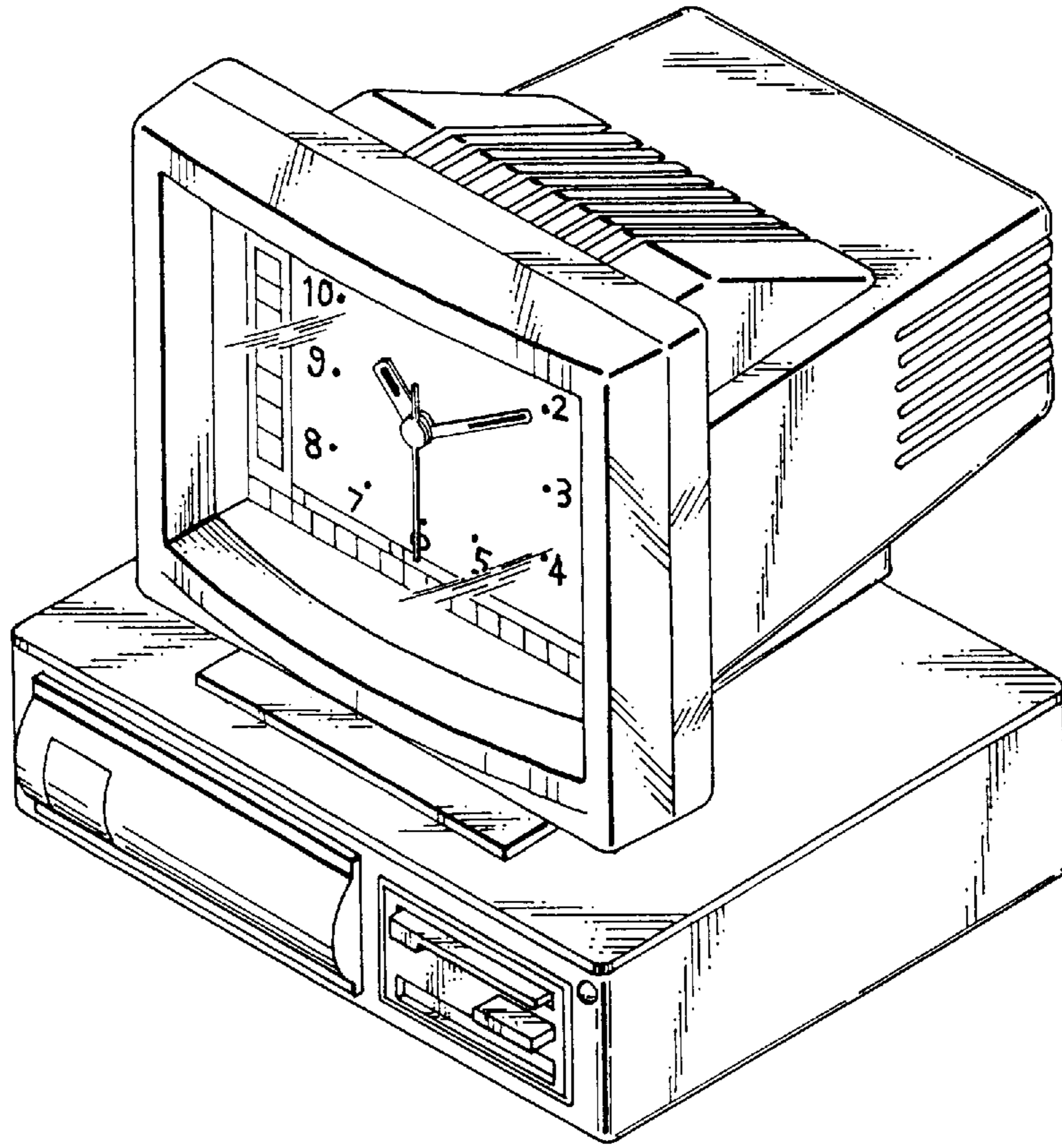


FIG. 1

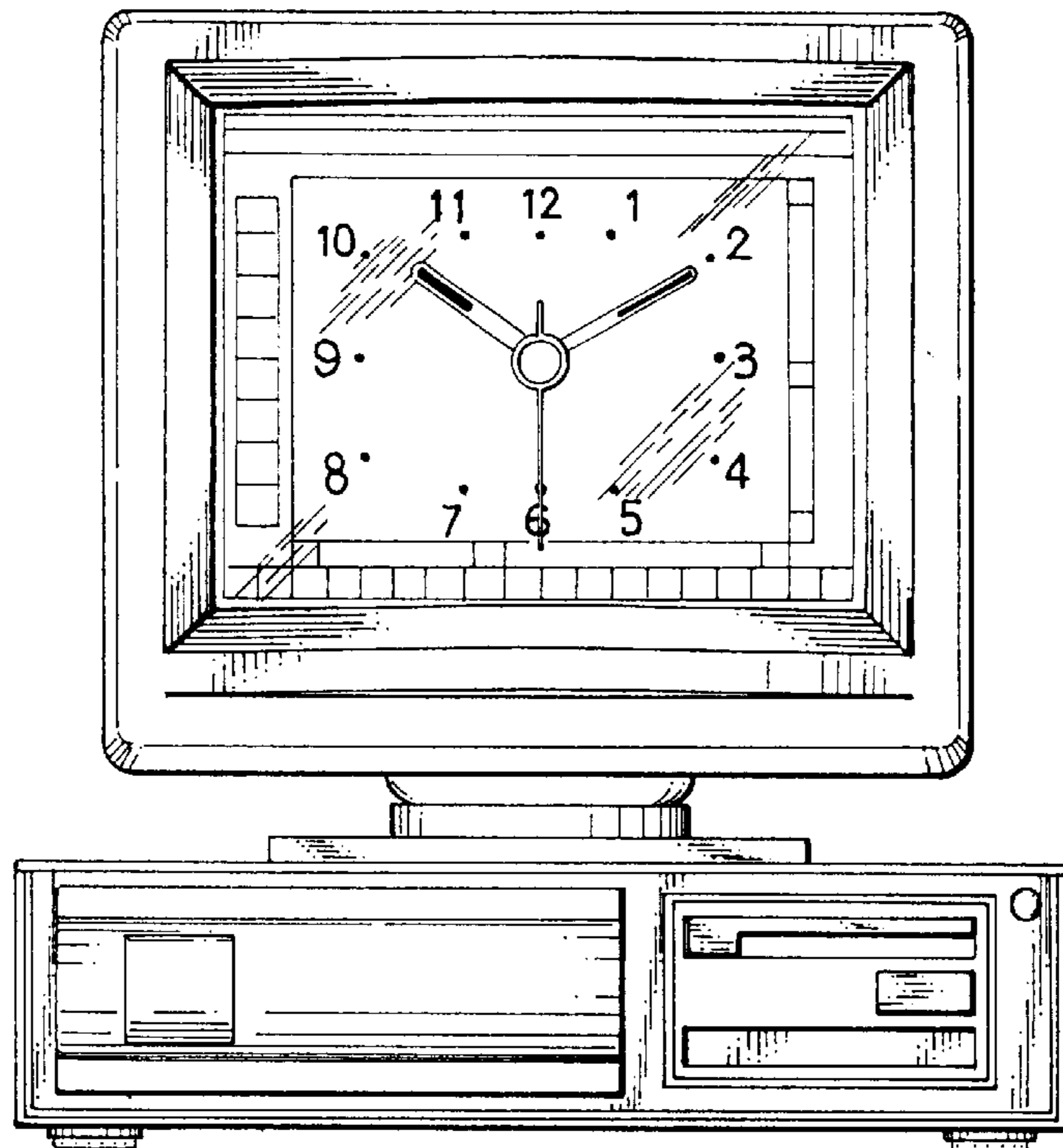


FIG. 2

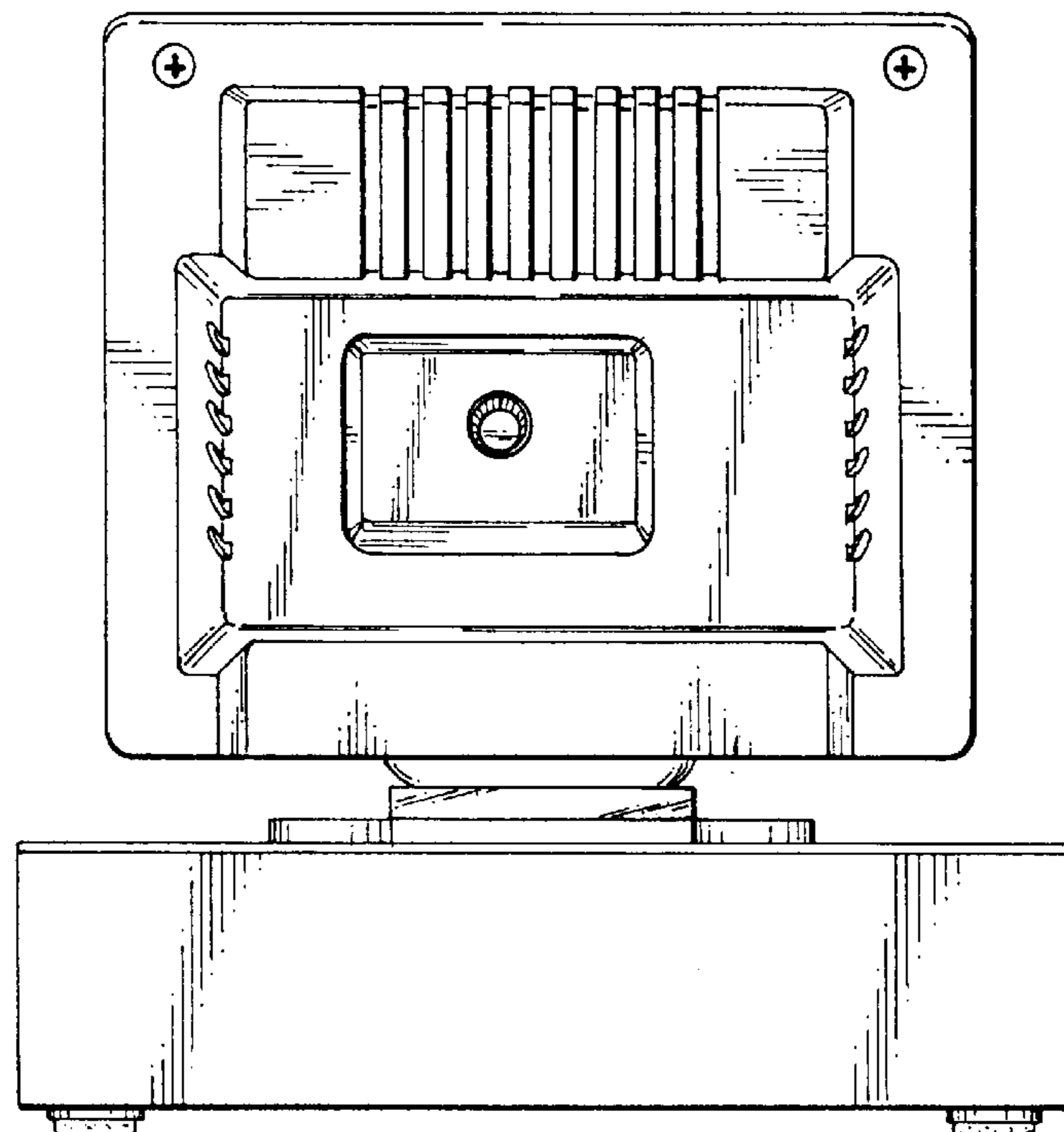


FIG. 3

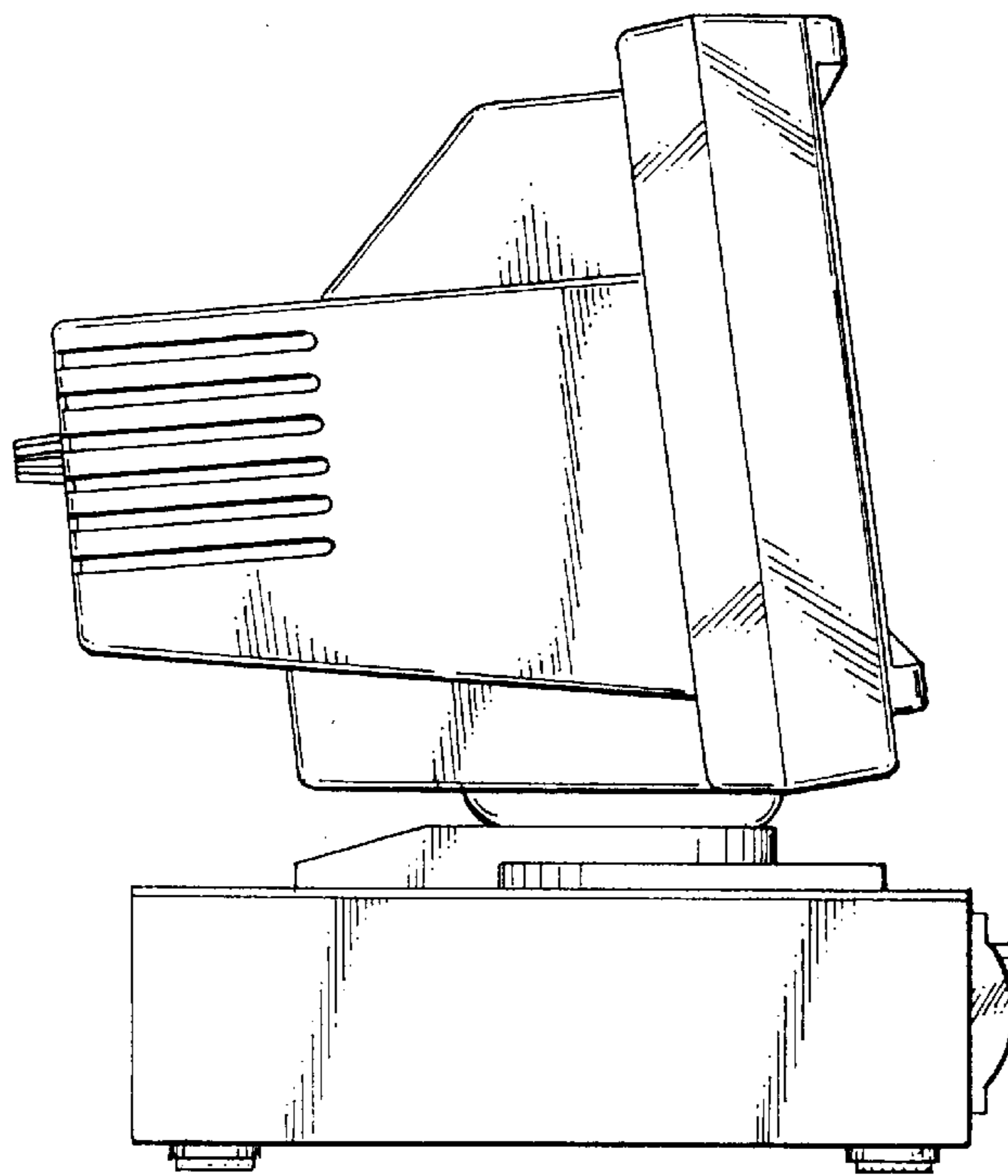


FIG. 4

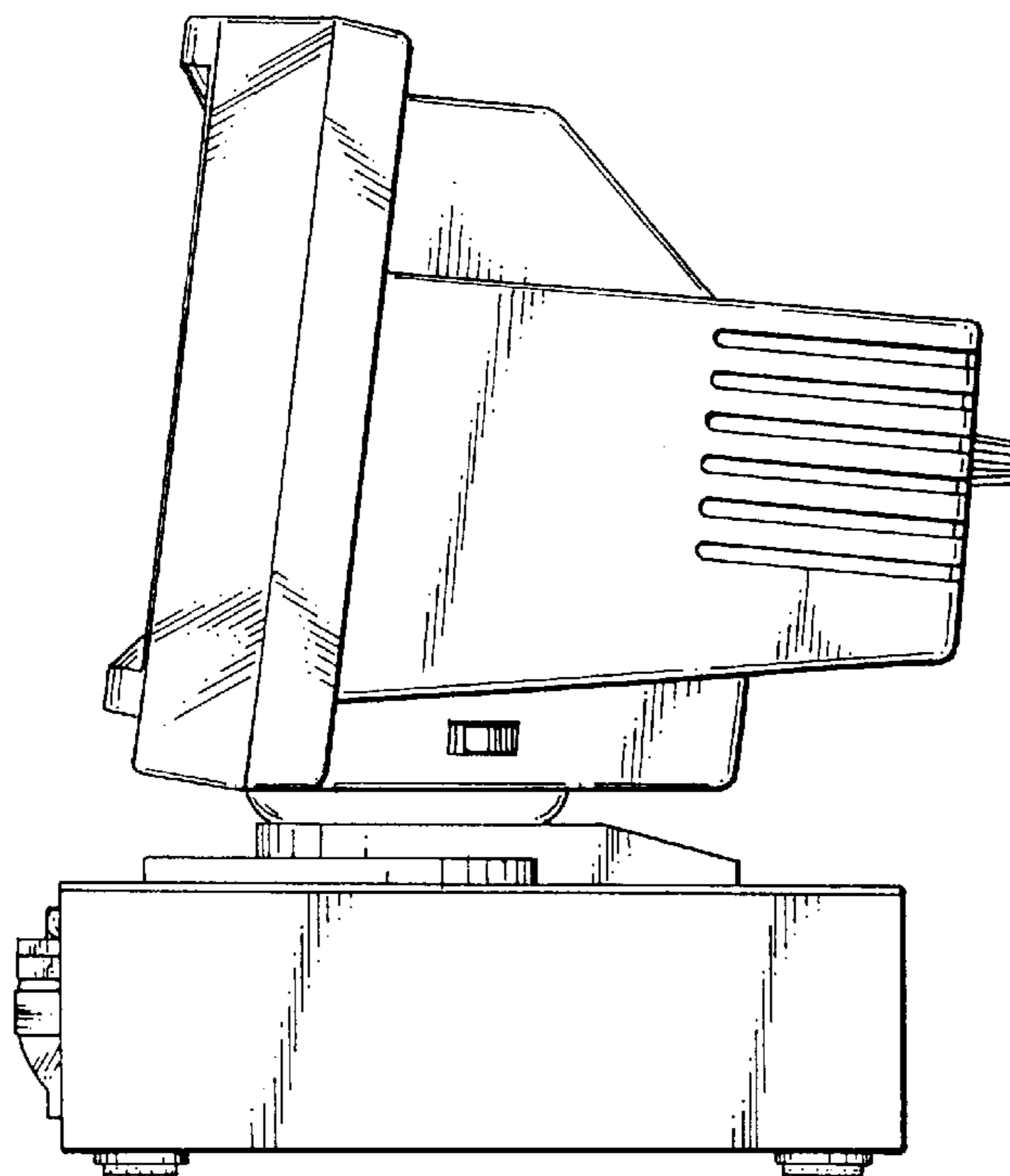


FIG. 5

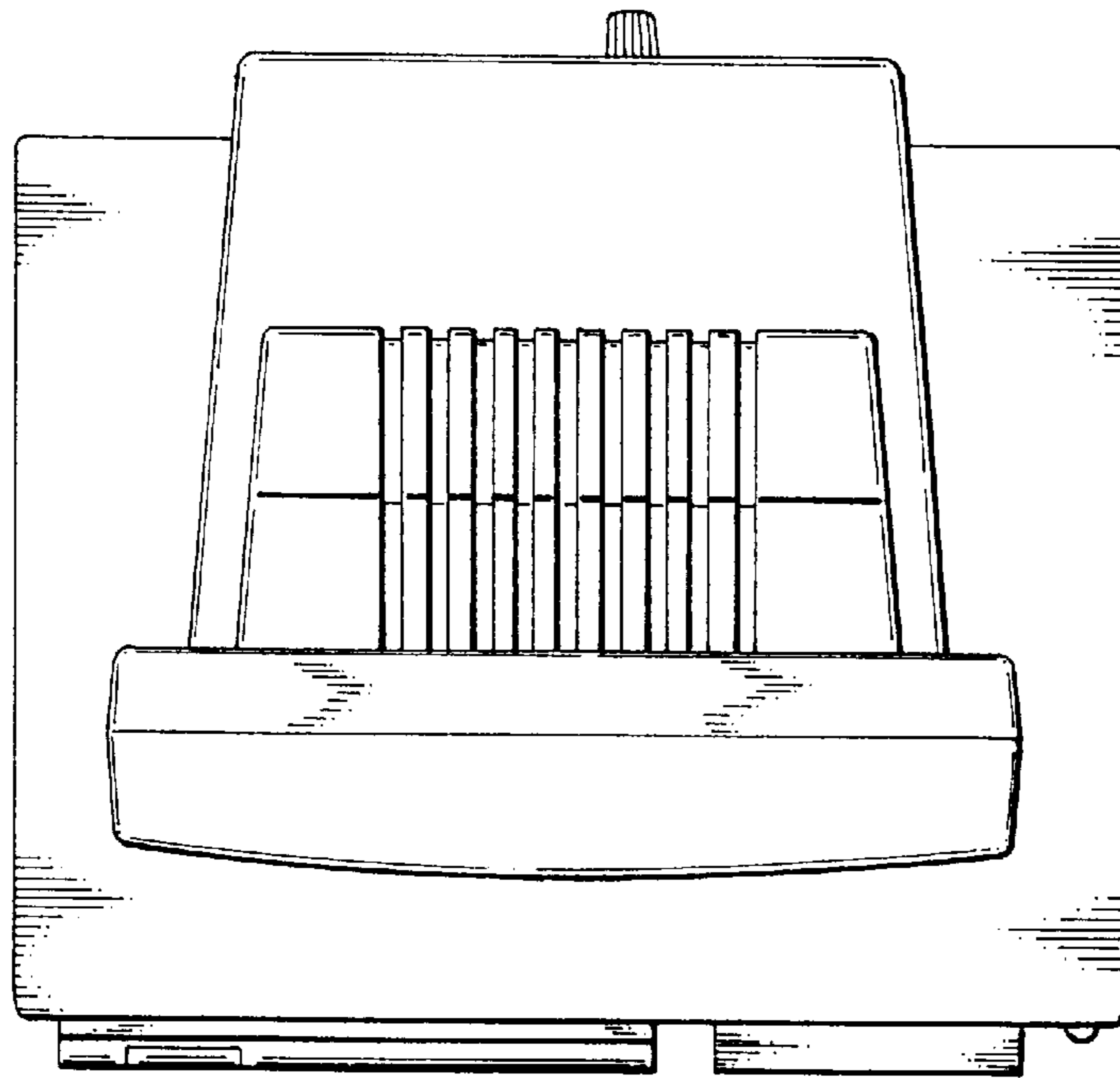


FIG. 6

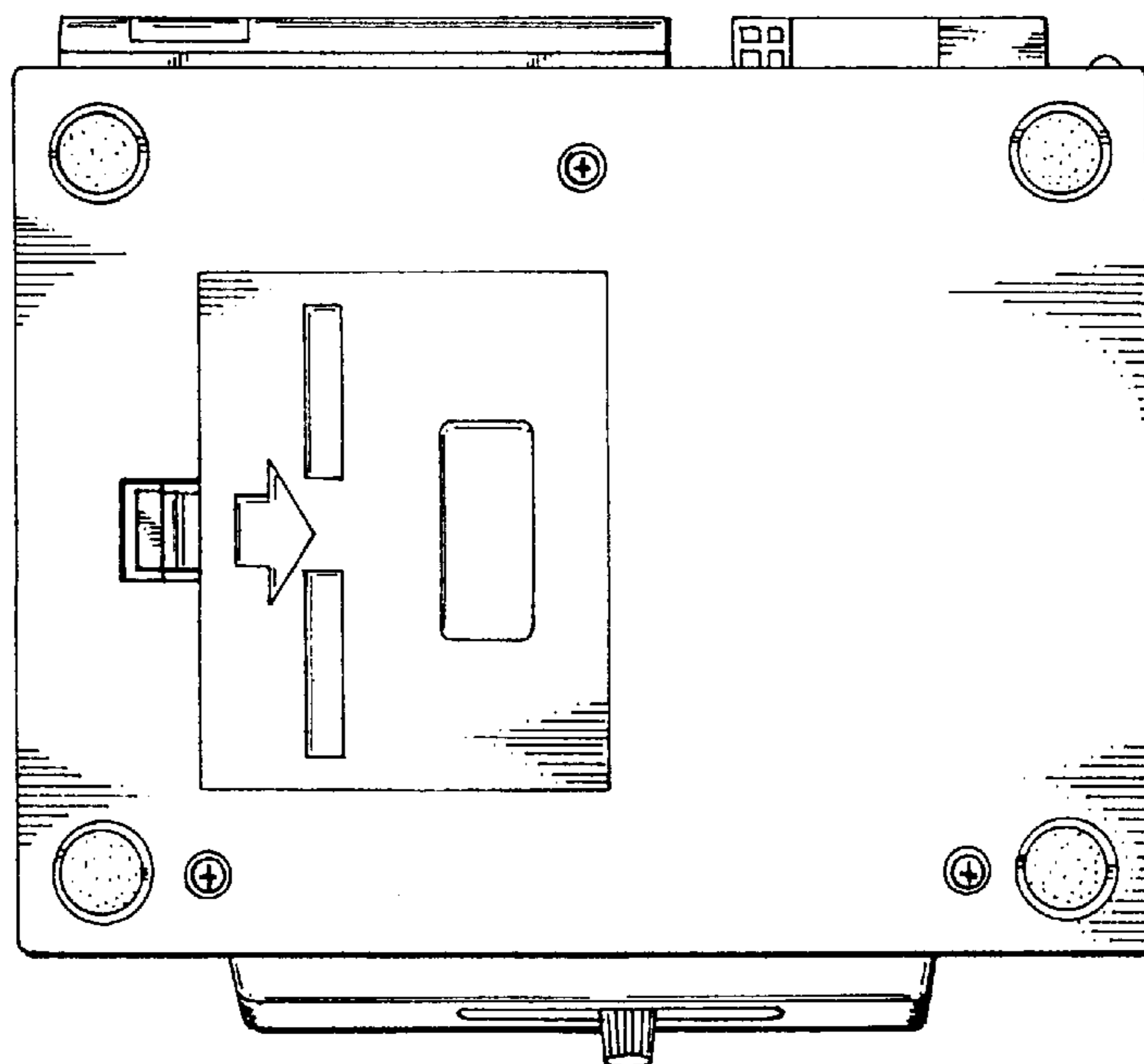


FIG. 7