



US00D407021S

United States Patent [19] Wang

[11] Patent Number: **Des. 407,021**

[45] Date of Patent: ****Mar. 23, 1999**

[54] **CLOCK**

[76] Inventor: **I-Hwa Wang**, No. 16, Kuo-Tai Lane,
Sec. 2, Chang-Ping Rd., Pei Tun Dist.,
Taichung, Taiwan

[**] Term: **14 Years**

[21] Appl. No.: **87,637**

[22] Filed: **May 6, 1998**

[51] **LOC (6) Cl.** **10-01**

[52] **U.S. Cl.** **D10/6; D10/7; D10/8;**
D10/12

[58] **Field of Search** D10/1-2, 6-12,
D10/33; 368/285

[56] **References Cited**

U.S. PATENT DOCUMENTS

- D. 97,215 10/1935 Van Bloem .
- D. 105,766 8/1937 Rodanet .
- D. 256,781 9/1980 Mackey D10/6

- D. 275,840 10/1984 Rhetts D10/6
- D. 301,308 5/1989 Ray D10/6
- D. 327,305 6/1992 Rieser D21/144
- D. 338,441 8/1993 Dupont D10/12

Primary Examiner—Nelson C. Holtje
Attorney, Agent, or Firm—Skjerven Morrill MacPherson
Franklin & Friel; Thomas S. MacDonald

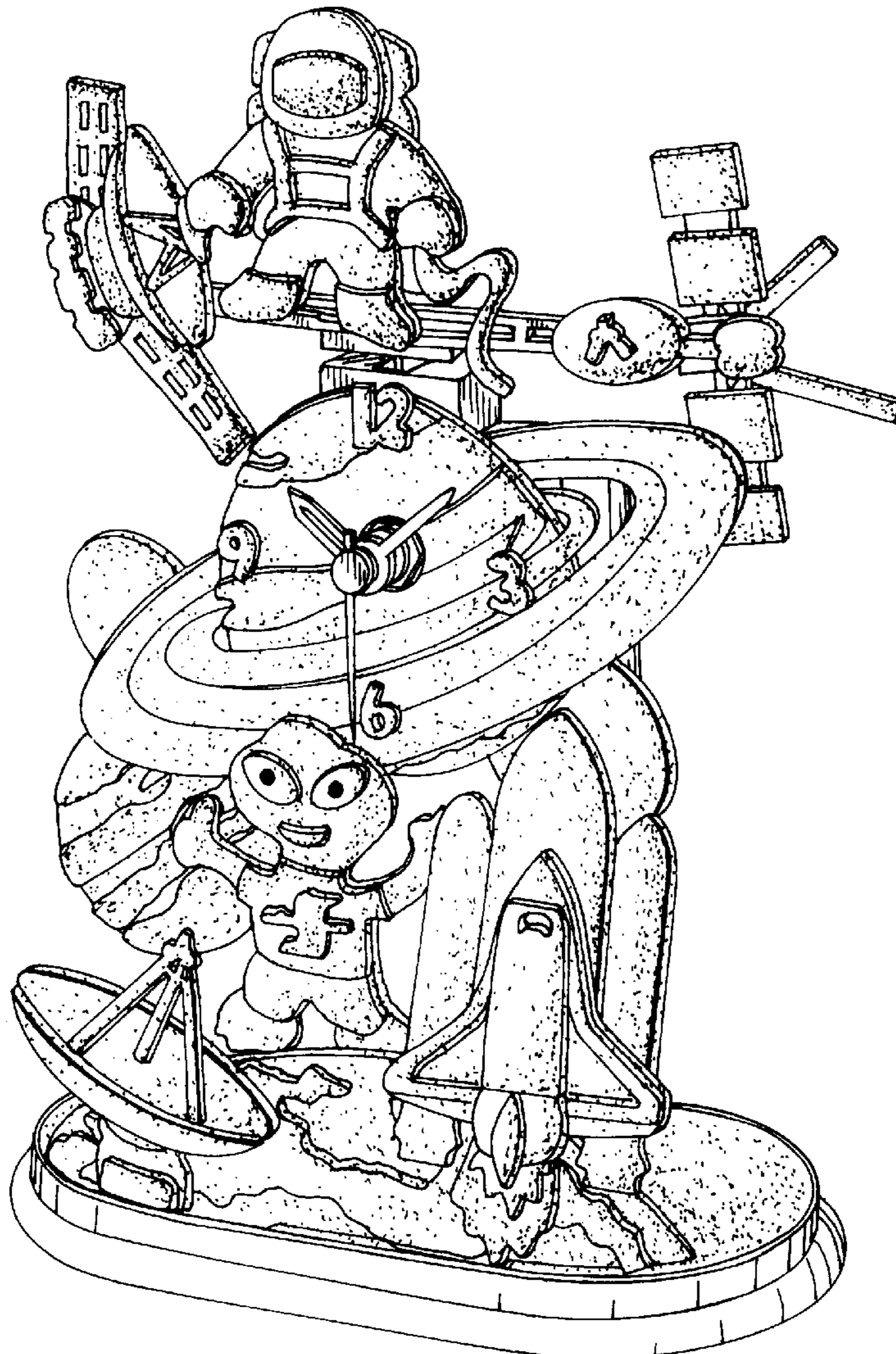
[57] **CLAIM**

The ornamental design for clock, as shown and described.

DESCRIPTION

FIG. 1 is a perspective view of clock showing my new design;
FIG. 2 is a front elevational view thereof;
FIG. 3 is a rear elevational view thereof;
FIG. 4 is a left side elevational view thereof;
FIG. 5 is a right side elevational view thereof;
FIG. 6 is a top plan view thereof; and,
FIG. 7 is a bottom plan view thereof.

1 Claim, 4 Drawing Sheets



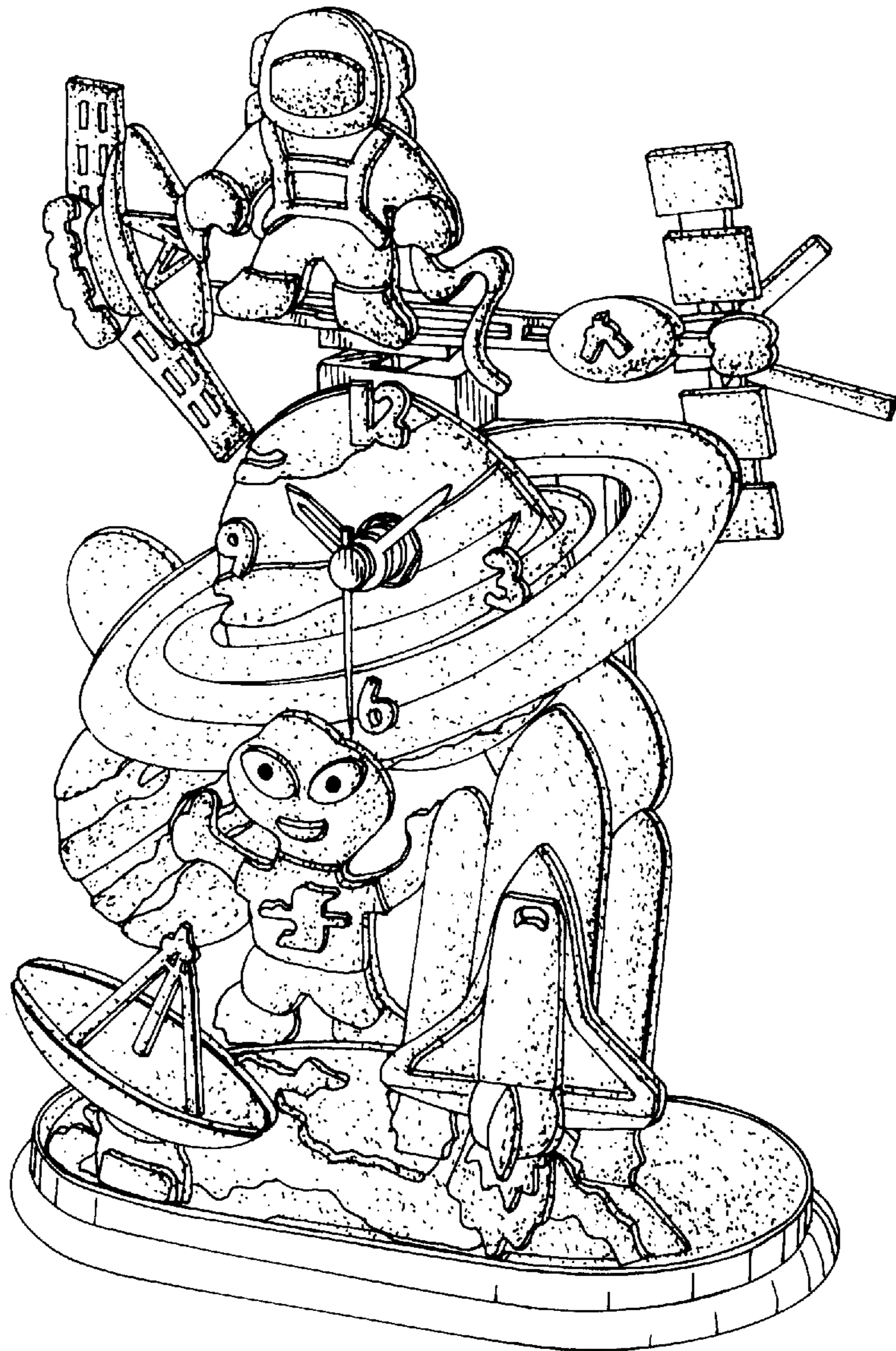


FIG. 1

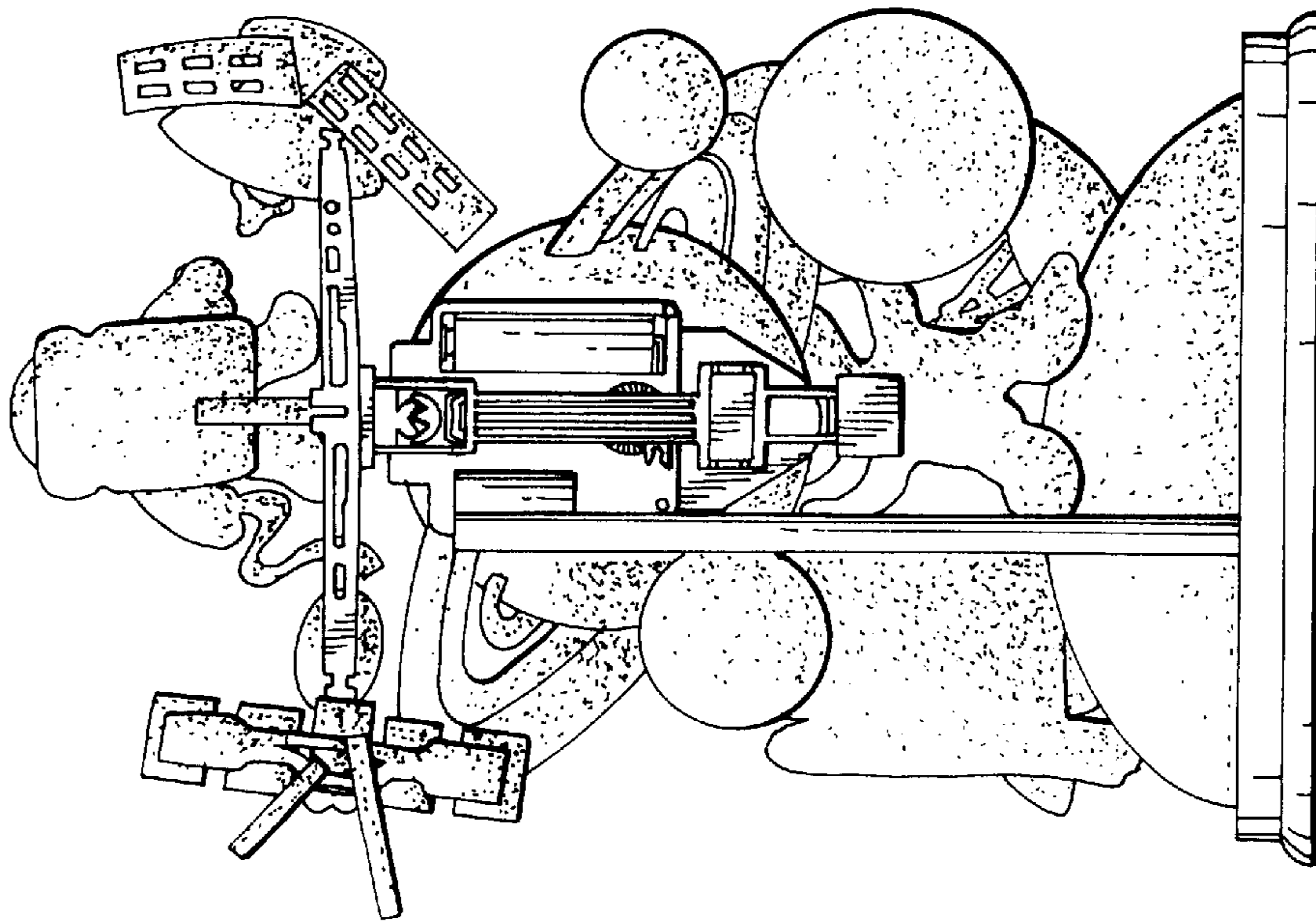


FIG.3

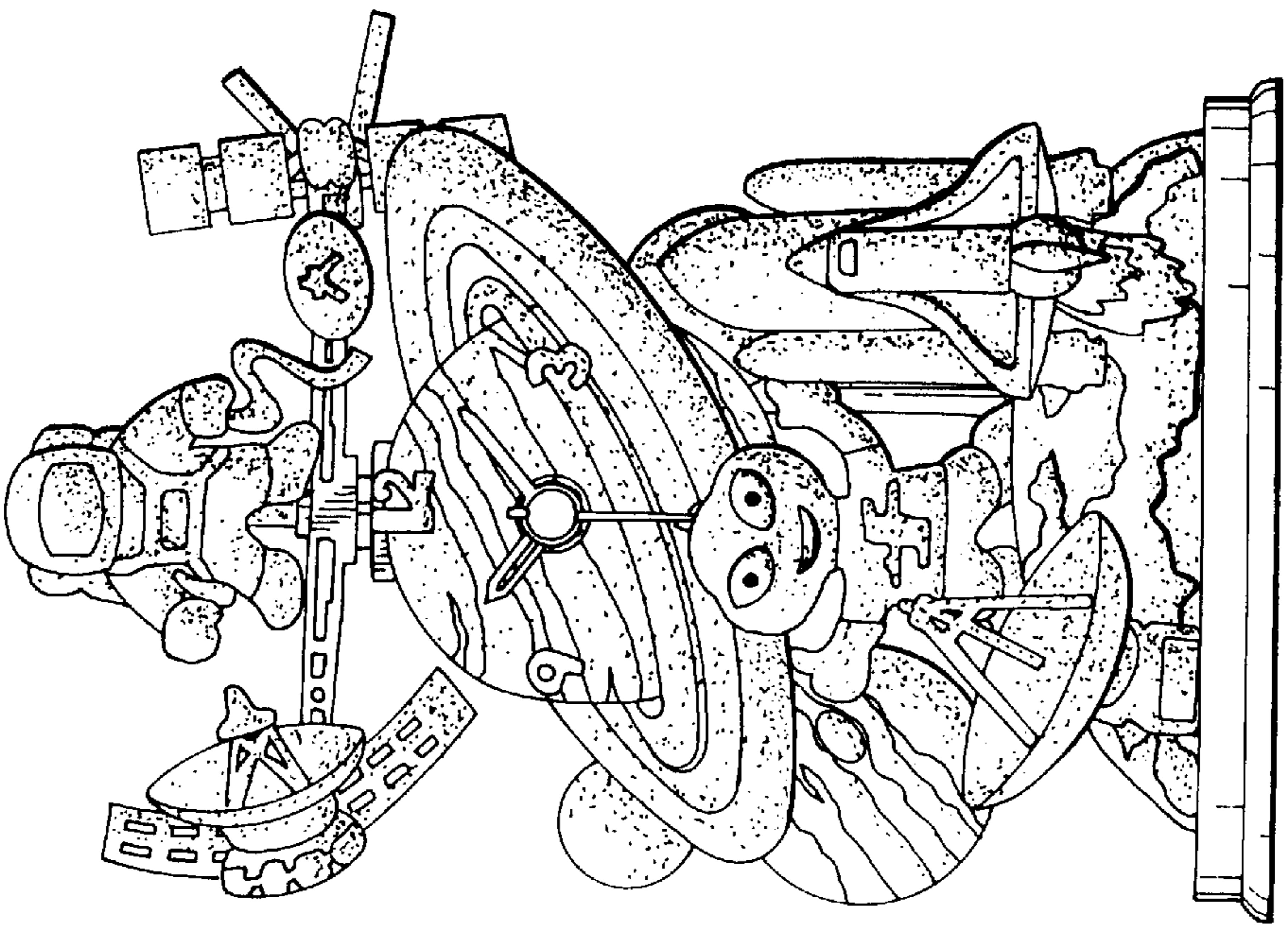
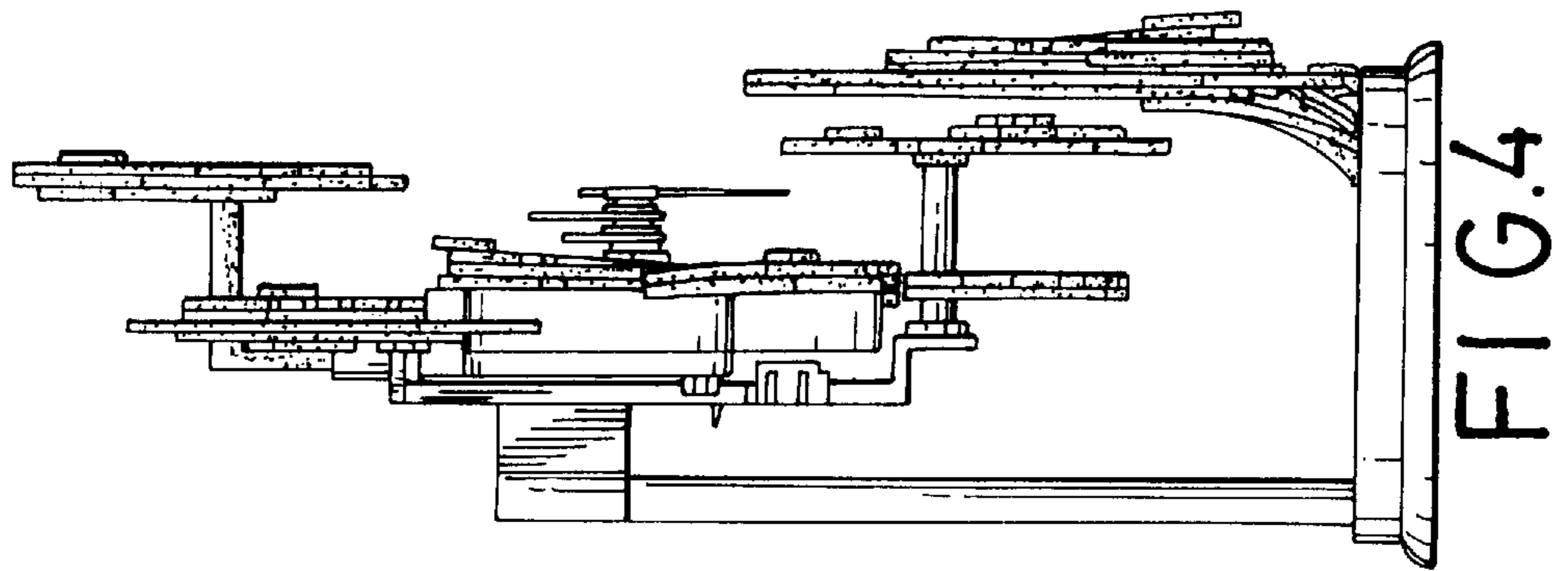
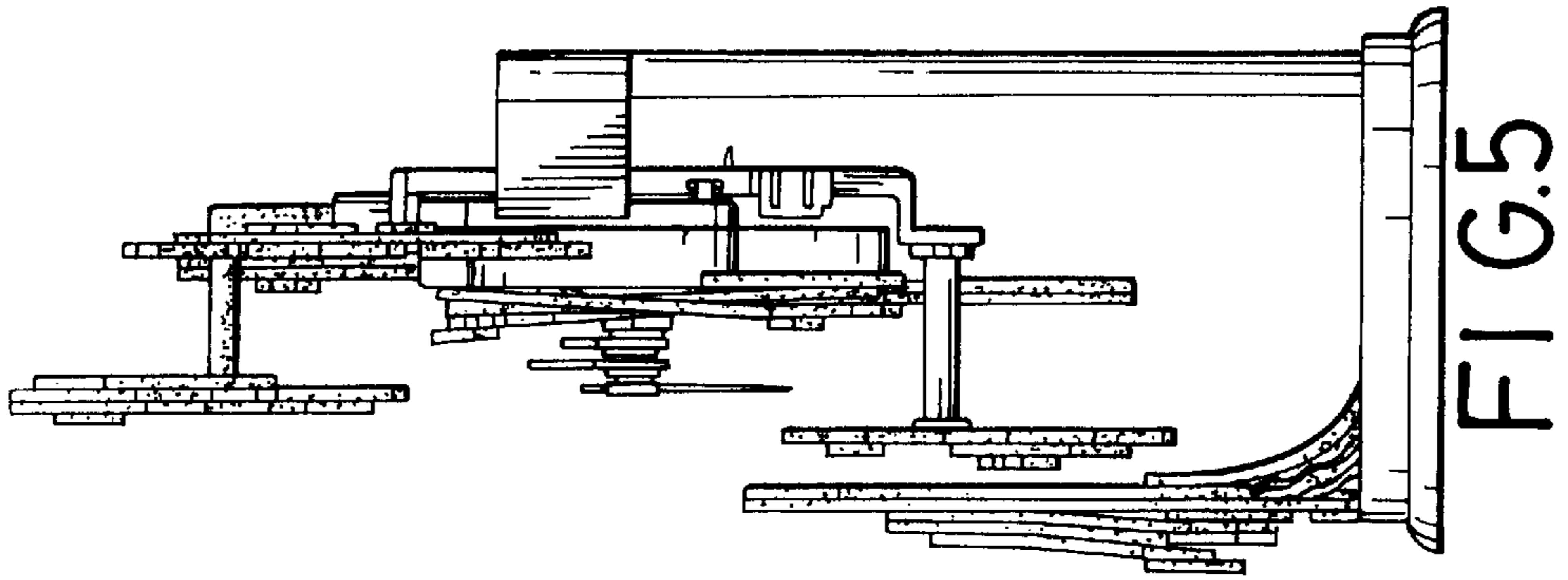


FIG.2



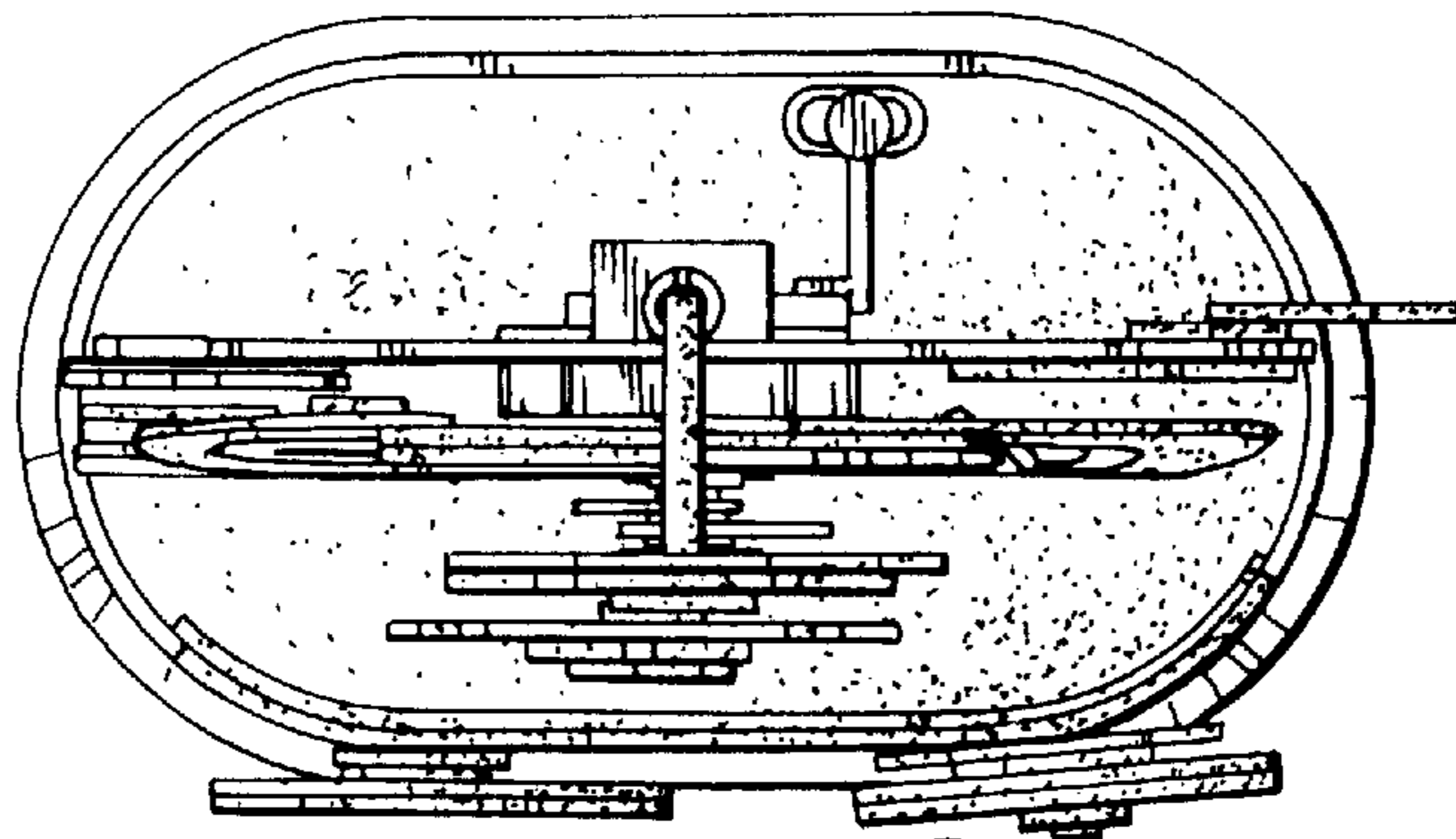


FIG. 6

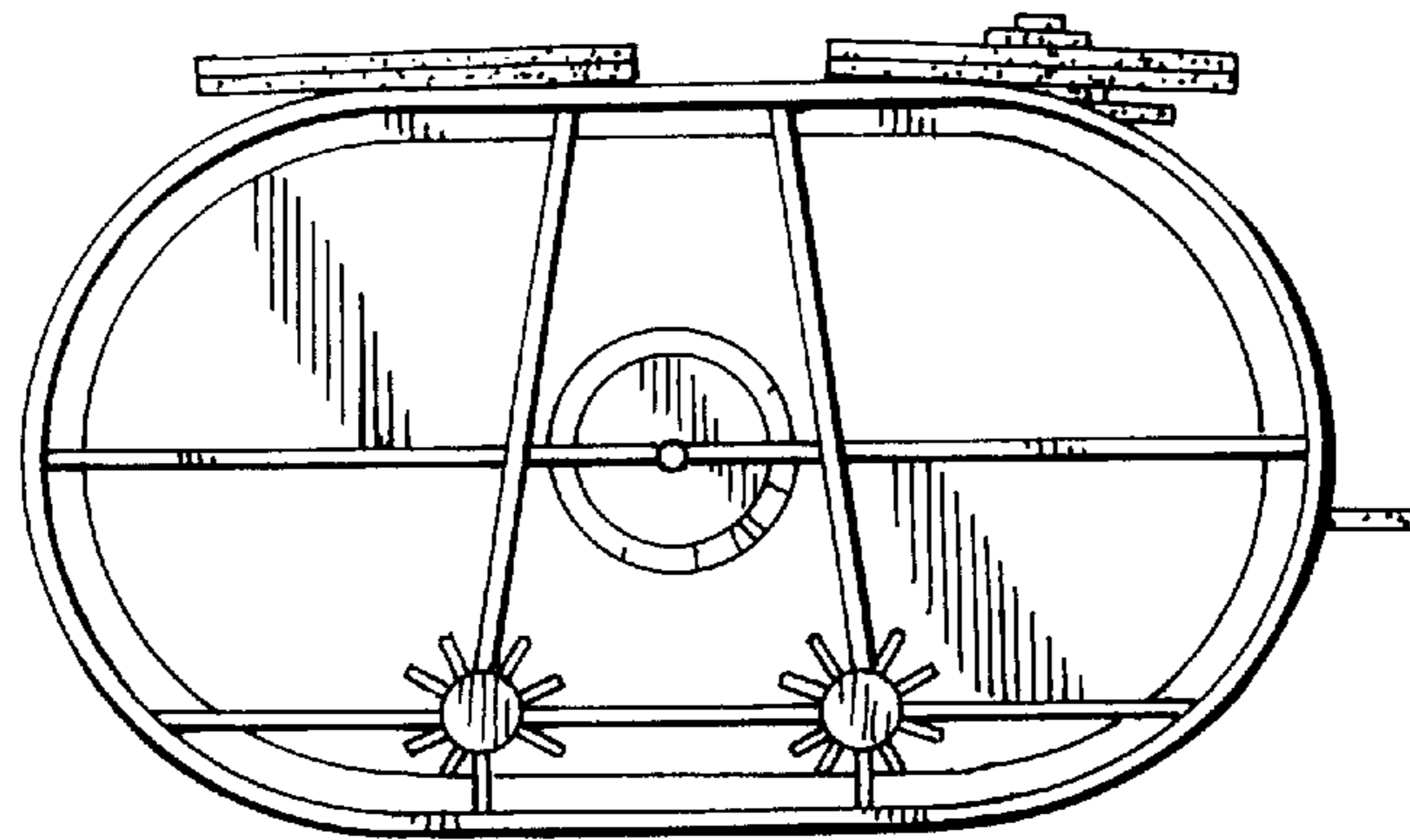


FIG. 7