



US00D407019S

**United States Patent** [19]  
**Arima**

[11] **Patent Number: Des. 407,019**

[45] **Date of Patent: \*\*Mar. 23, 1999**

[54] **PROTECTION DEVICE FOR PACKAGING**

[75] Inventor: **Seibi Arima**, Musahino, Japan

[73] Assignee: **Teac Corporation**, Tokyo, Japan

[\*\*] Term: **14 Years**

[21] Appl. No.: **84,302**

[22] Filed: **Feb. 27, 1998**

[30] **Foreign Application Priority Data**

Sep. 4, 1997 [JP] Japan ..... 9-66783  
Sep. 4, 1997 [JP] Japan ..... 9-66784

[51] **LOC (6) Cl.** ..... **09-07**

[52] **U.S. Cl.** ..... **D9/456**

[58] **Field of Search** ..... D9/434, 456, 499;  
D8/403; 206/453, 454, 523, 586, 591, 592,  
588, 814

[56] **References Cited**

**U.S. PATENT DOCUMENTS**

4,869,369 9/1989 Turngren ..... 206/523  
5,024,328 6/1991 Bontrager ..... 206/453  
5,636,744 6/1997 Hirose ..... 206/586

*Primary Examiner*—James Gandy  
*Assistant Examiner*—Cathron B. Matta  
*Attorney, Agent, or Firm*—Ladas & Parry

[57] **CLAIM**

The ornamental design for a protection device for packaging, as shown and described.

**DESCRIPTION**

FIG. 1 is a perspective view of a protection device for packaging showing my new design;  
FIG. 2 is a front view thereof, the rear view being a mirror image of the front view;  
FIG. 3 is a top view thereof, the bottom view being an inverted image of the top view;  
FIG. 4 is a left side view thereof, the right side view being a mirror image of the left side;  
FIG. 5 is a perspective view thereof shown in an unfolded position;  
FIG. 6 is a perspective view of FIG. 5 shown in it's use, the broken line portions are for illustration only and form no part of the claim; and,  
FIG. 7 is a perspective view of FIG. 5 shown in it's use, the broken line portions are for illustration only and form no part of the claim.

**1 Claim, 4 Drawing Sheets**

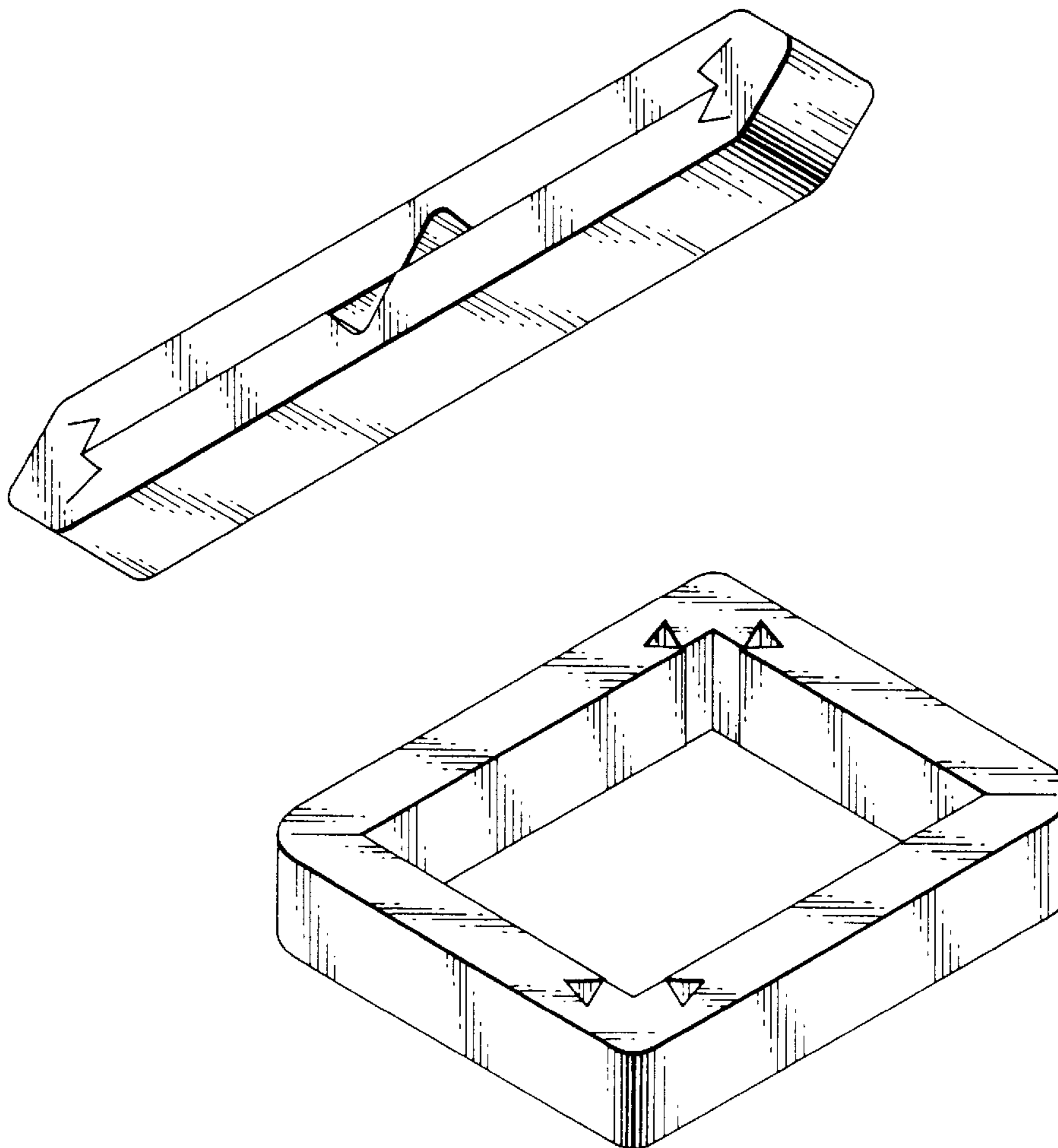


FIG. 1

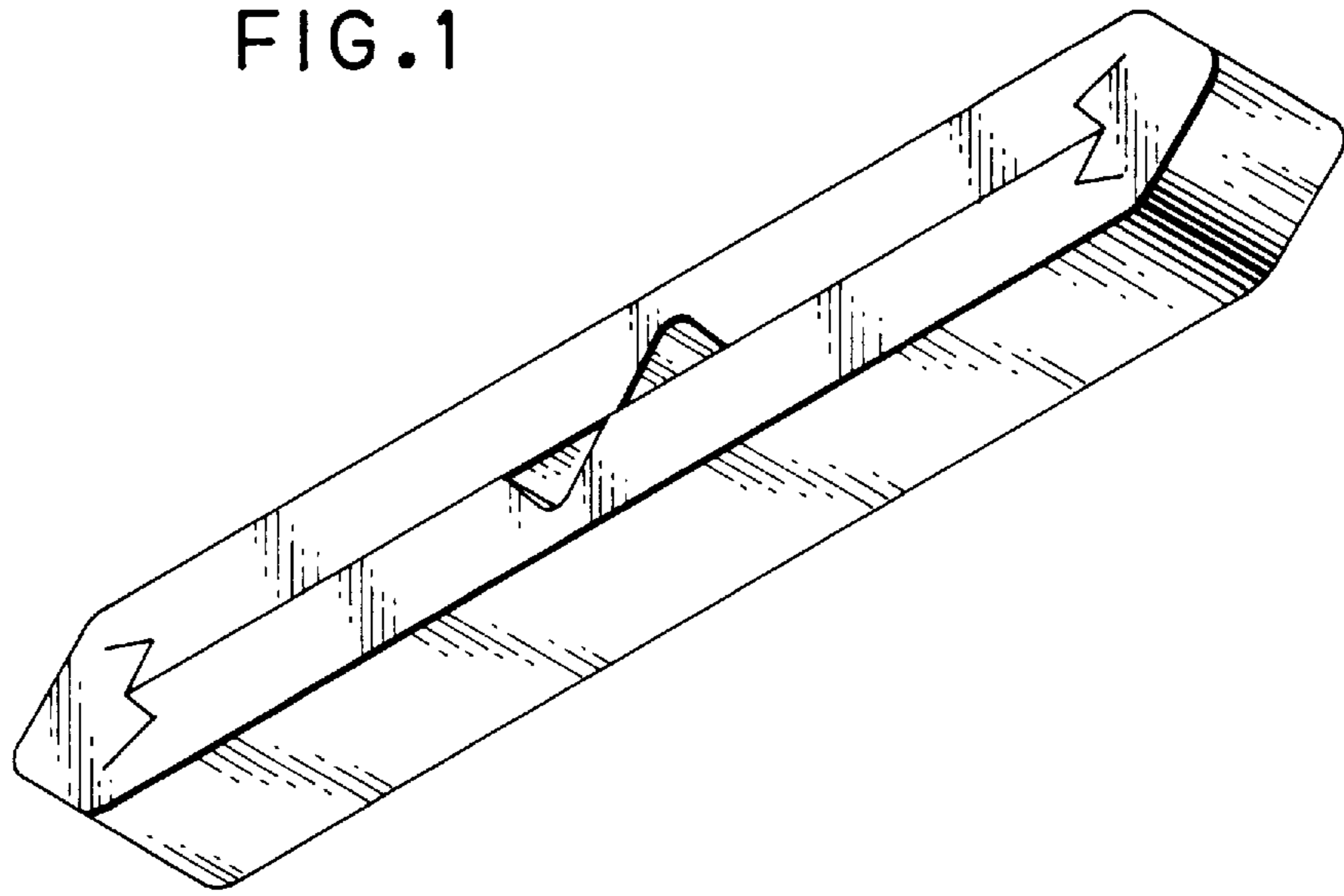


FIG. 2

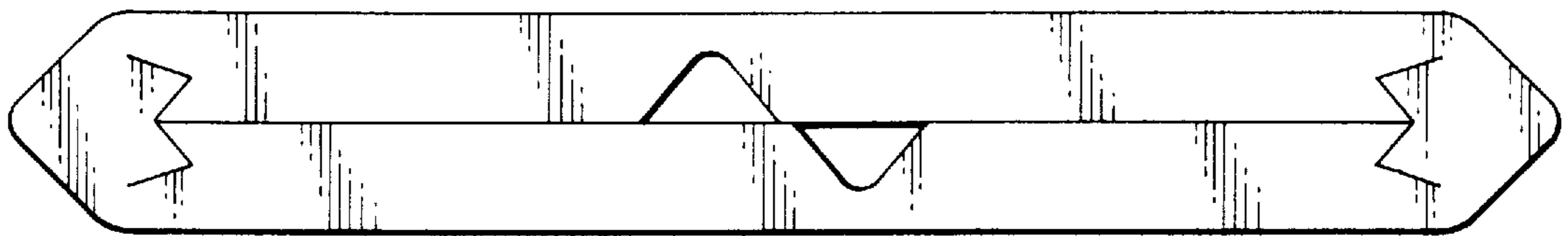


FIG. 3

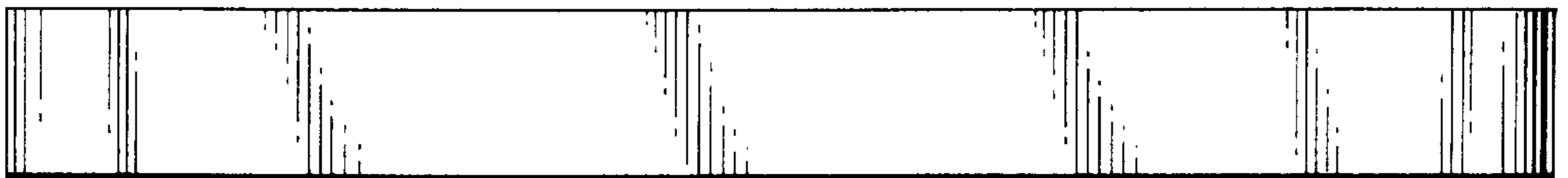


FIG. 4

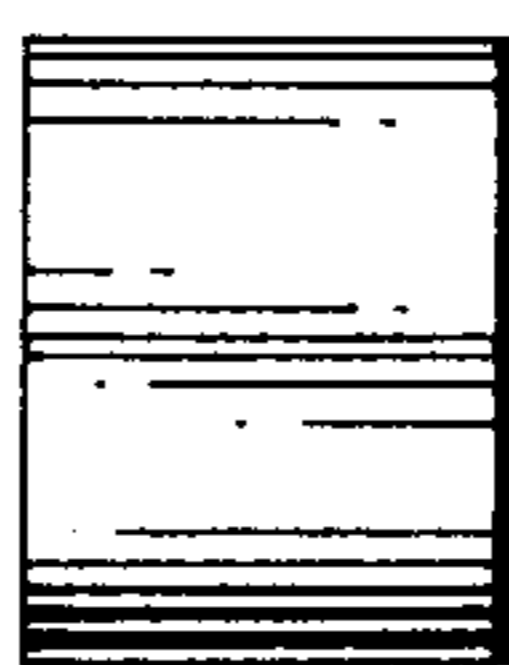


FIG. 5

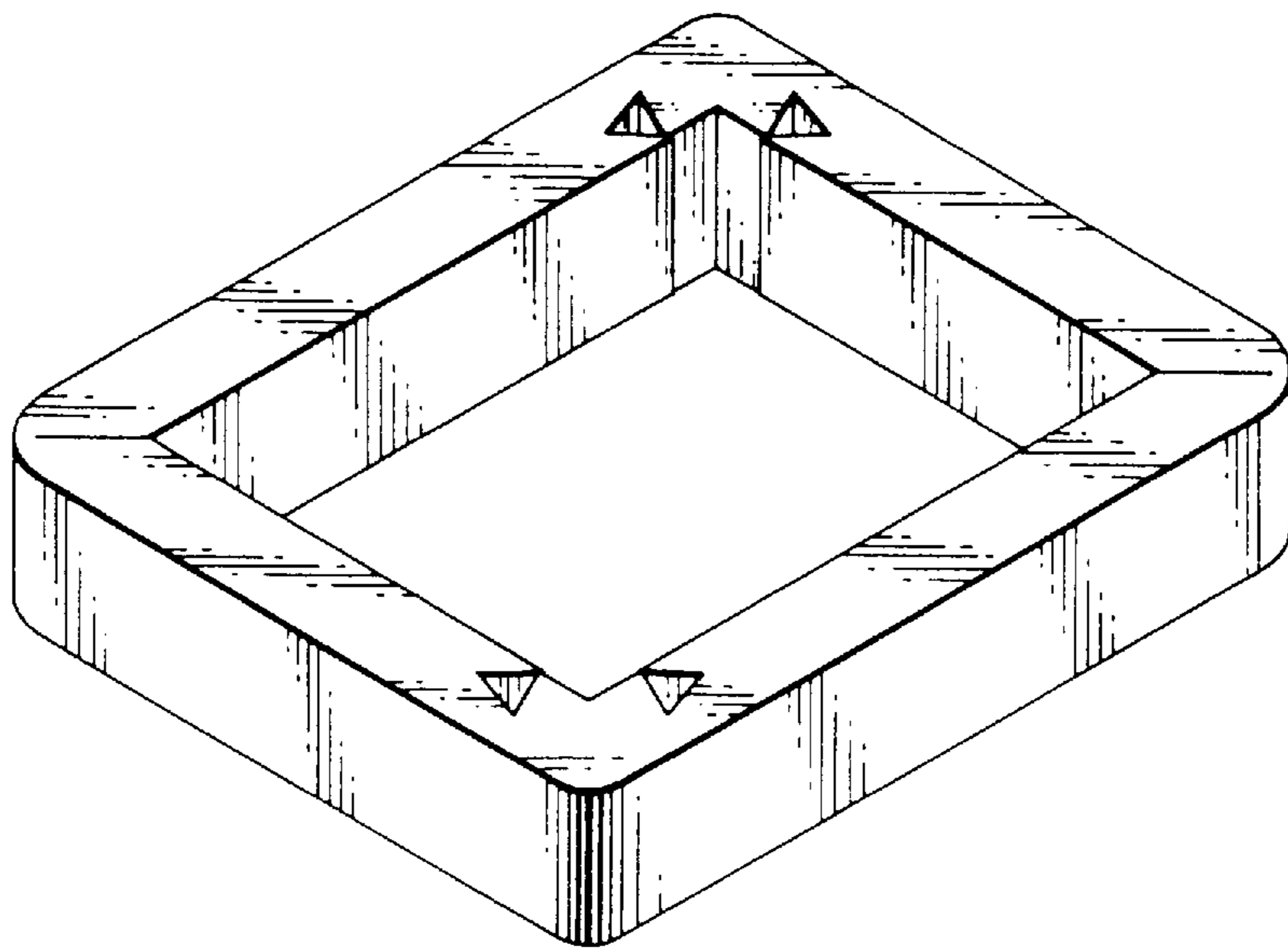


FIG. 6

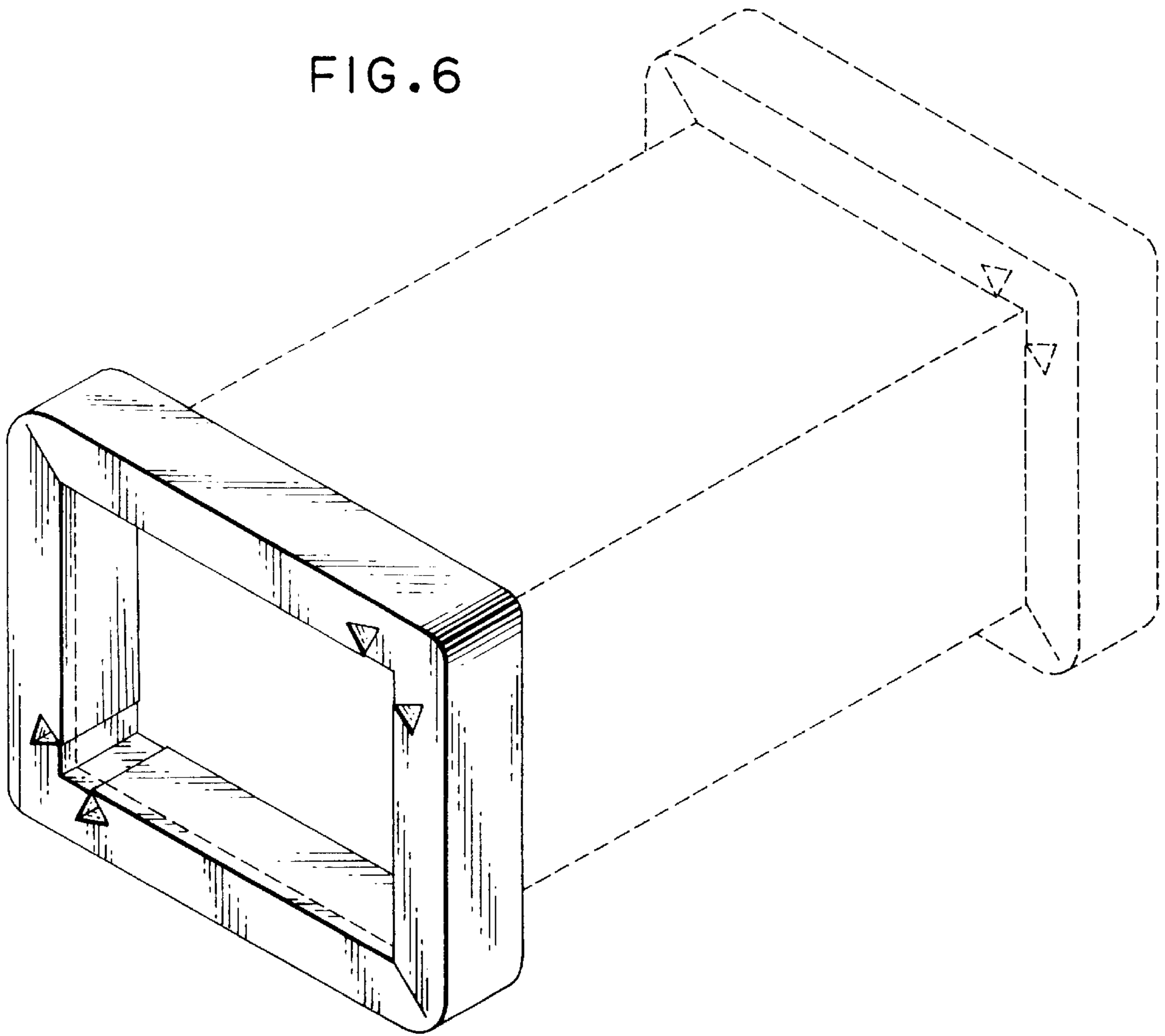


FIG. 7

