



US00D407014S

# United States Patent [19] McCann

[11] **Patent Number: Des. 407,014**

[45] **Date of Patent: \*\*Mar. 23, 1999**

[54] **DISPOSAL FOOD CONTAINER**

[75] Inventor: **Raymond P. McCann**, Phoenix, Ariz.

[73] Assignee: **Elm Packaging Company**, Fullerton, Calif.

[\*\*] Term: **14 Years**

[21] Appl. No.: **80,326**

[22] Filed: **Dec. 5, 1997**

[51] **LOC (6) Cl.** ..... **09-07**

[52] **U.S. Cl.** ..... **D9/423**

[58] **Field of Search** ..... D9/420-425, 432, D9/418, 414; D3/201; 220/4.21-4.27, 315, 32, 33, 337, 752, 755; 206/508, 541; 229/902, 903, 406, 407

[56] **References Cited**

**U.S. PATENT DOCUMENTS**

Re. 32,739	8/1988	Terauds	229/406 X
D. 241,822	10/1976	Jewell	D9/423
D. 256,097	7/1980	Amberg	D9/423
D. 304,910	12/1989	Natori	D9/423
D. 353,327	12/1994	Castner et al.	D9/341 X
D. 369,970	5/1996	Cain	D9/423
3,511,433	5/1970	Andrews et al.	220/4.23
4,079,880	3/1978	Edwards	229/406 X
4,132,344	1/1979	Jewell	229/406
4,253,600	3/1981	Schubert	229/406
4,951,866	8/1990	Rusnak	229/120.07

**OTHER PUBLICATIONS**

Ultra PCA Inc. Broucher, Apr. 1992.  
PCA Speciality Packaging, Mar. 1995.  
Modern Packaging Cat. p. 318, 1967.

*Primary Examiner*—Prabhakar G. Deshmukh  
*Attorney, Agent, or Firm*—McDermott, Will & Emery

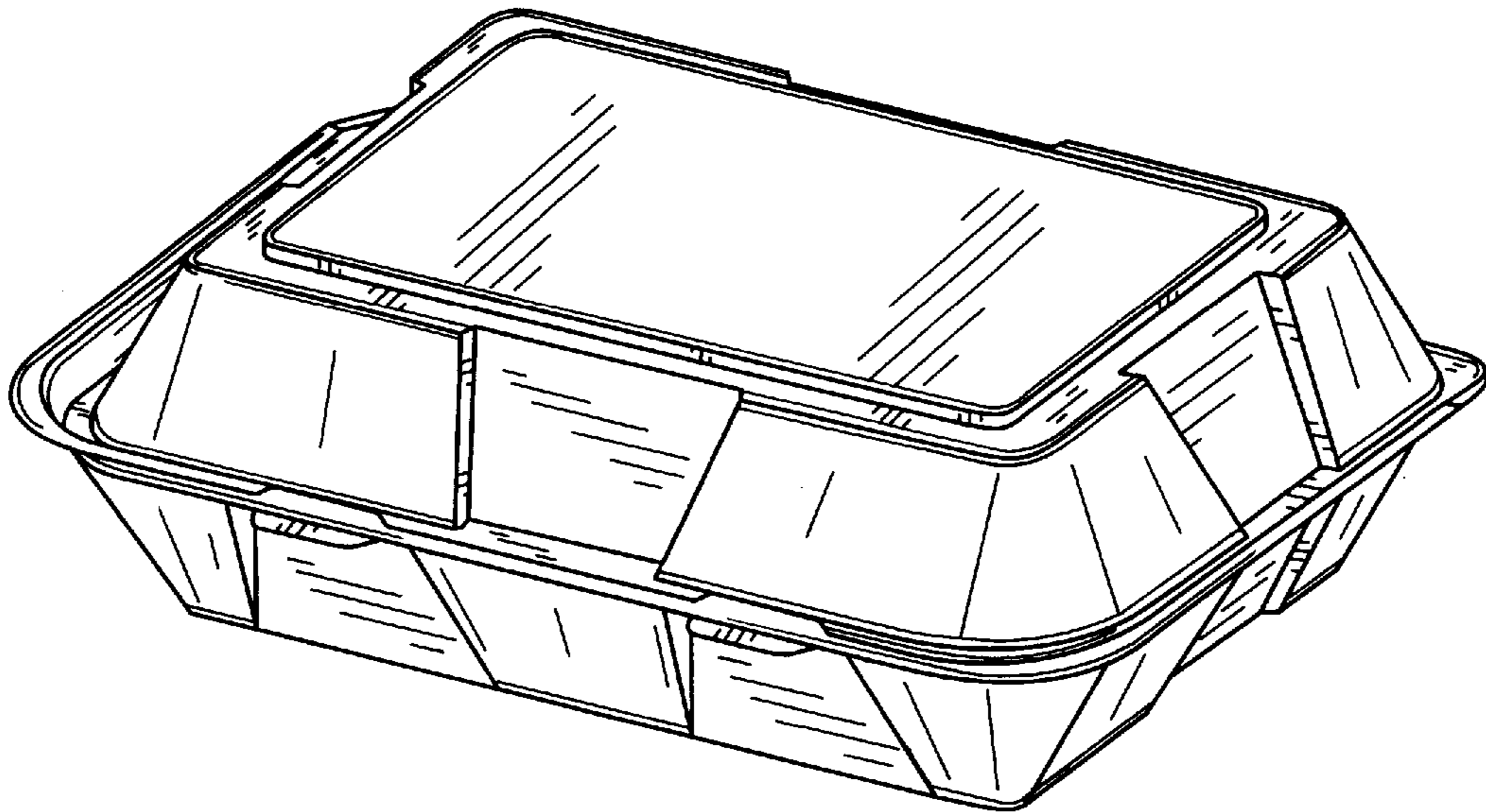
[57] **CLAIM**

The ornamental design for the disposable food container, as shown and described.

**DESCRIPTION**

FIG. 1 is a perspective view of the disposable food container showing the design;  
FIG. 2 is a front view of the disposable food container of FIG. 1;  
FIG. 3 is a rear view of the disposable food container of FIG. 1;  
FIG. 4 is a side view of the disposable food container of FIG. 1;  
FIG. 5 is a top view of the disposable food container of FIG. 1;  
FIG. 6 is a bottom view of the disposable food container of FIG. 1;  
FIG. 7 is a bottom view of the disposable food container of FIG. 1, with the container in the open position; and,  
FIG. 8 is a top view of the disposable food container of FIG. 1, with the container in the open position.

**1 Claim, 5 Drawing Sheets**



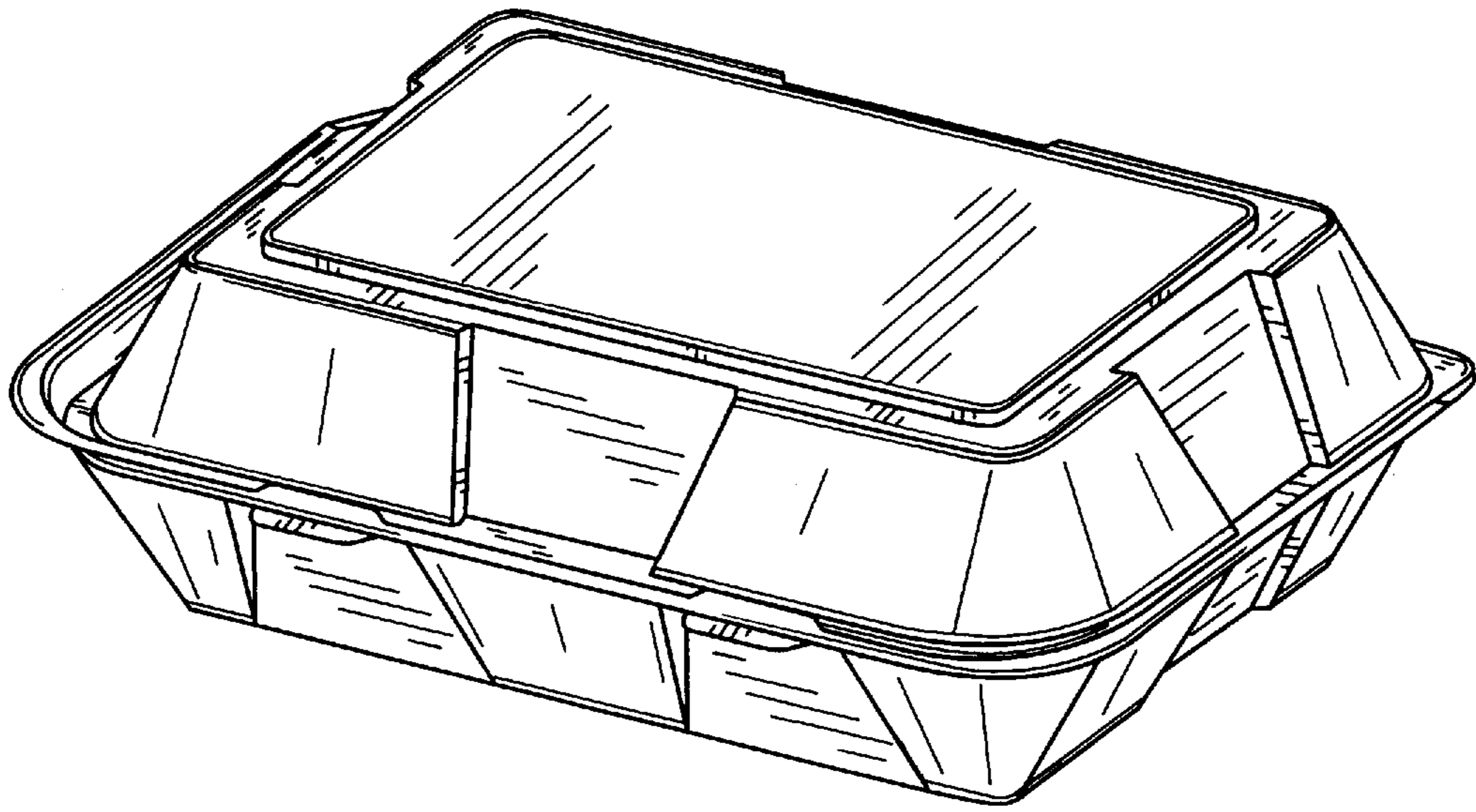


FIG. 1

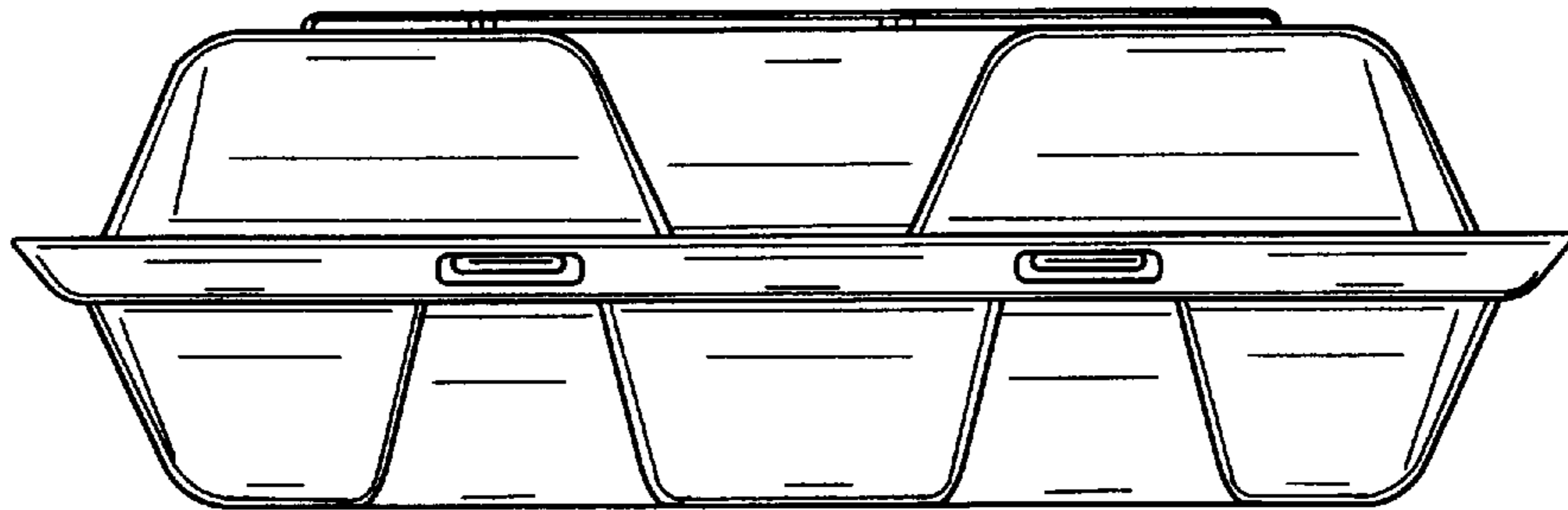


FIG. 2

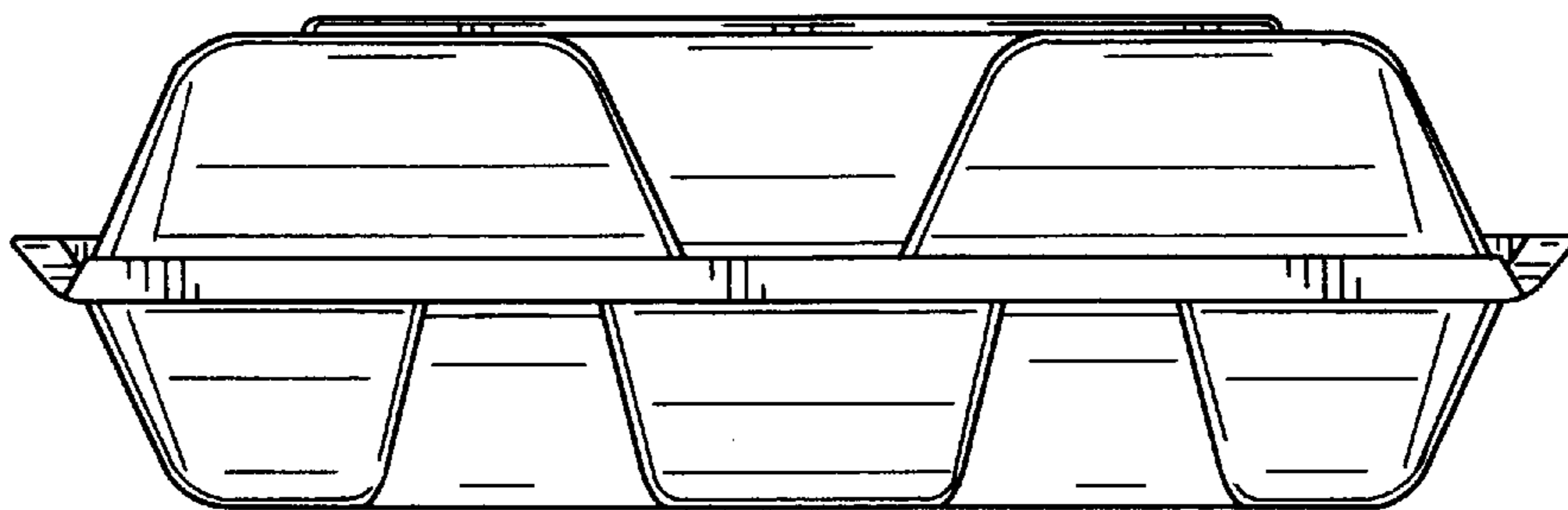


FIG. 3

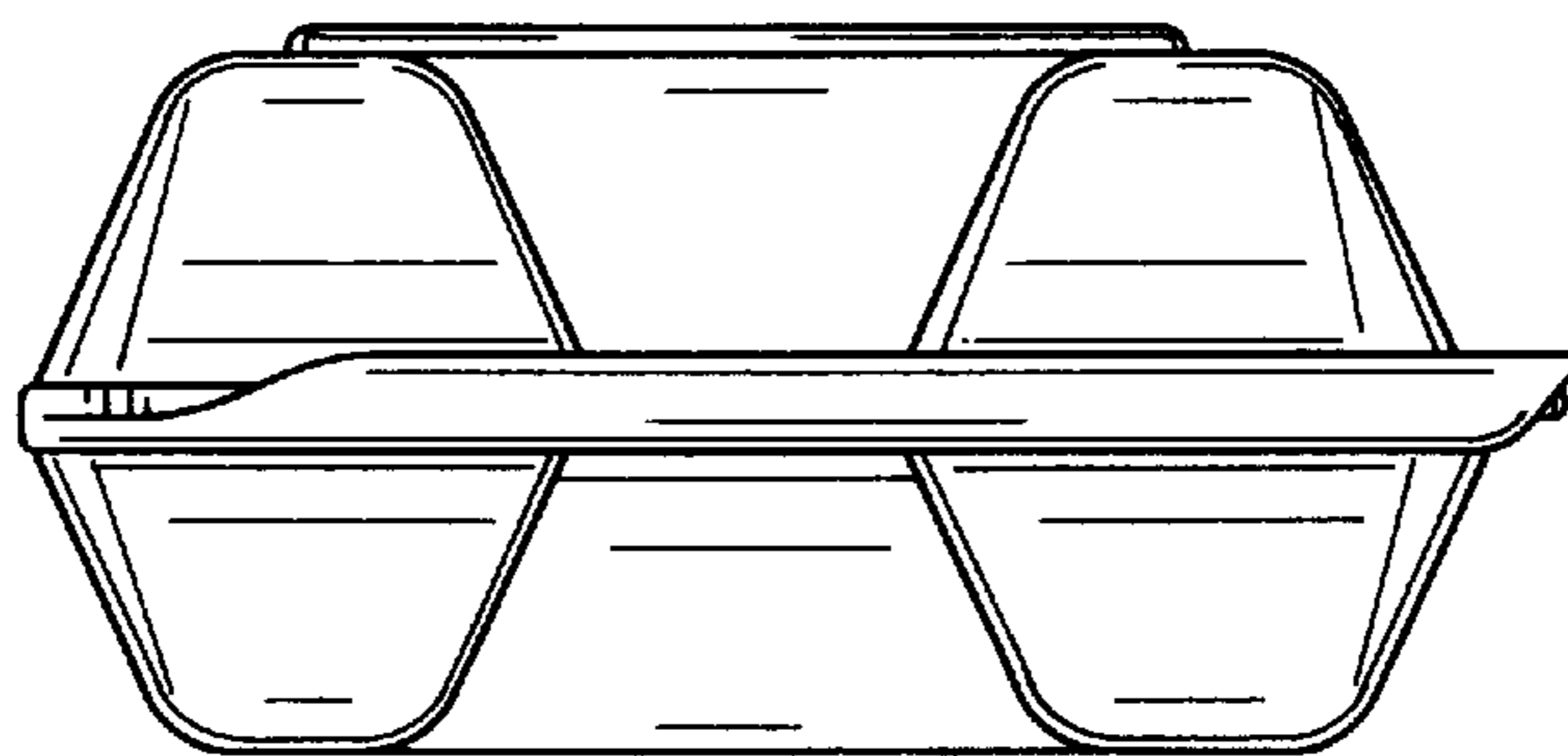


FIG. 4

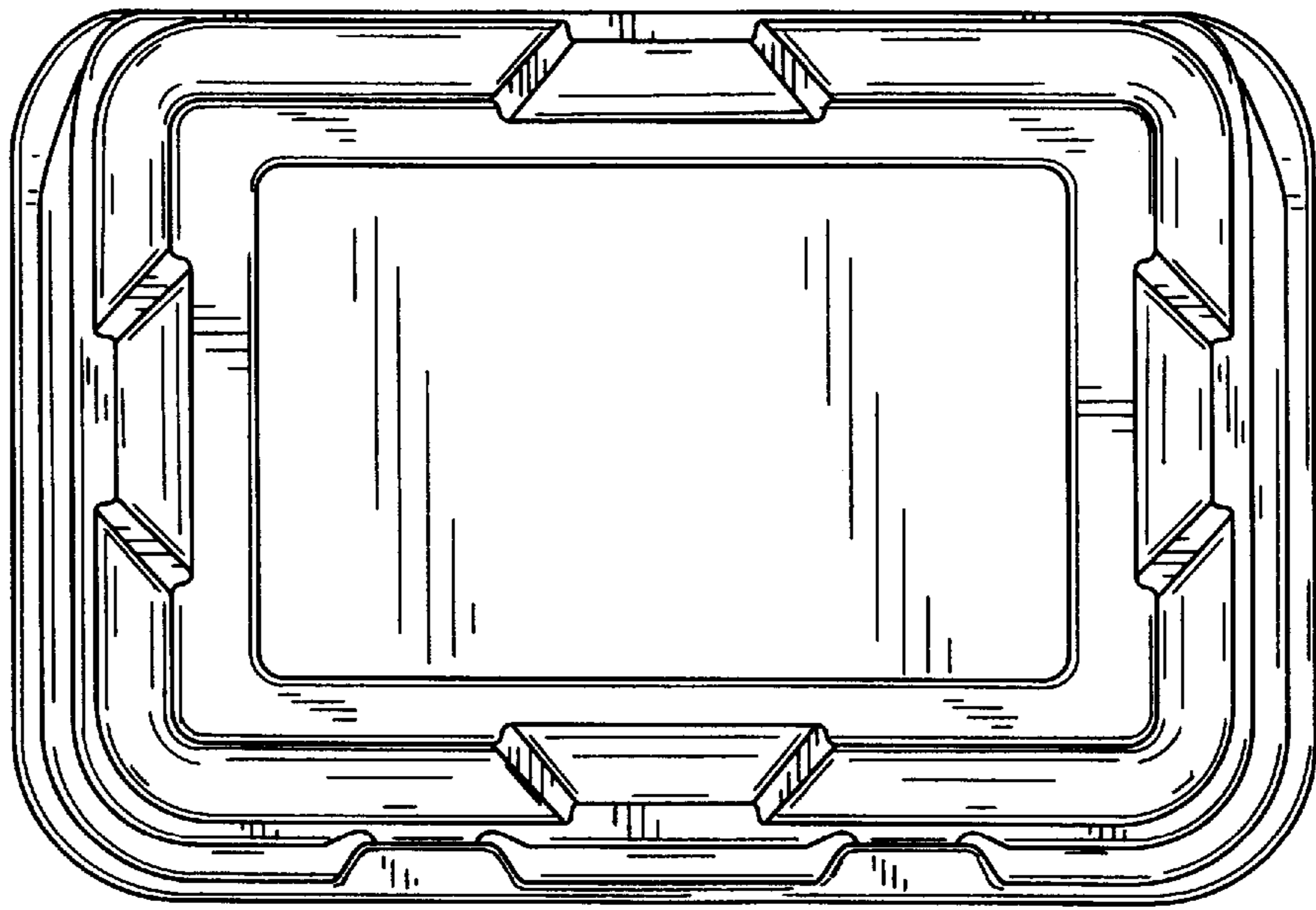


FIG. 5

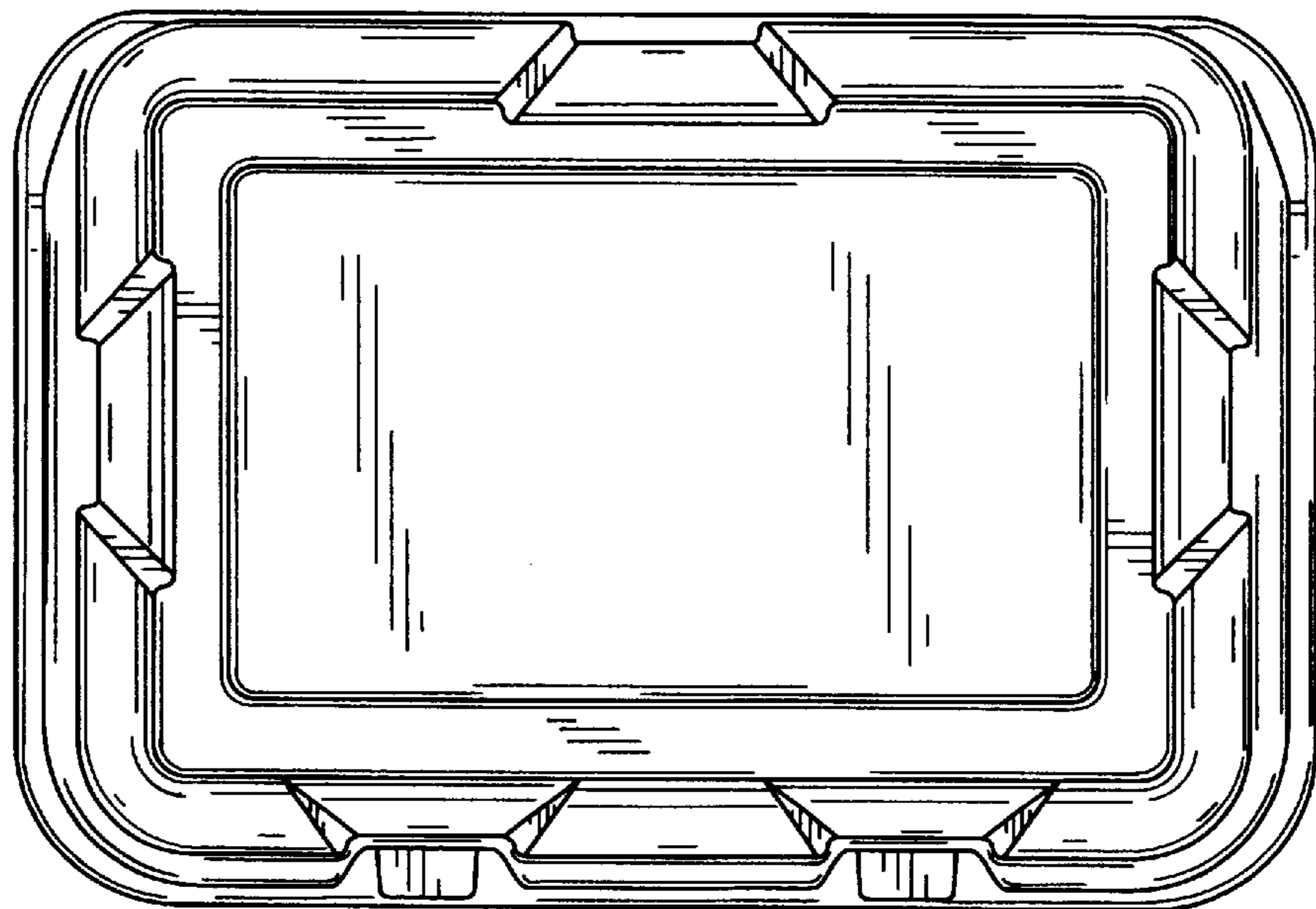


FIG. 6

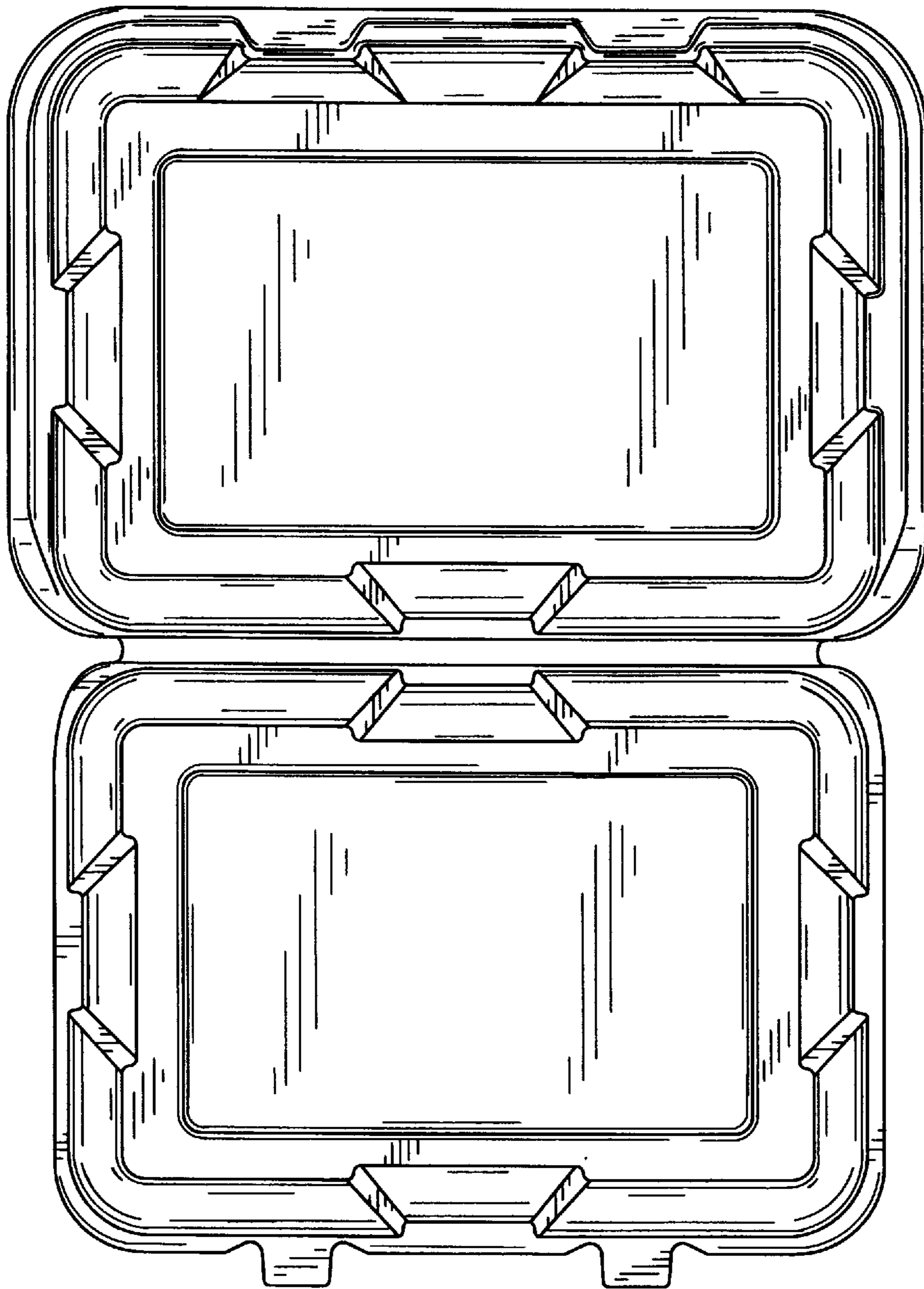


FIG. 7

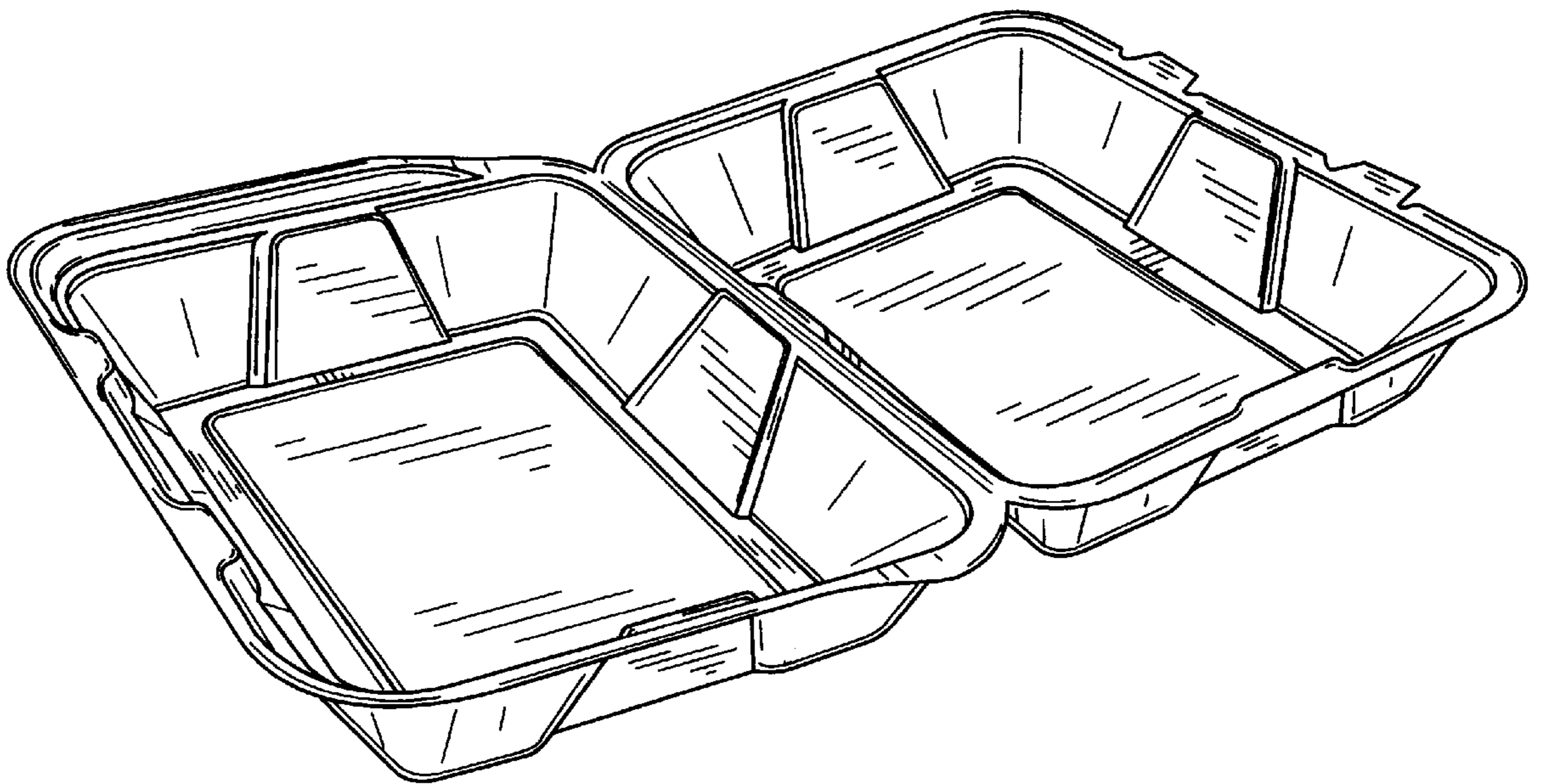


FIG. 8