



US00D407013S

United States Patent [19] Armondo

[11] **Patent Number: Des. 407,013**

[45] **Date of Patent: **Mar. 23, 1999**

[54] **BOX FOR FLOOD CONTROL**

[76] Inventor: **George Armondo**, 9052 Hubbard St.,
Culver City, Calif. 90232

[**] Term: **14 Years**

[21] Appl. No.: **69,965**

[22] Filed: **Jul. 24, 1997**

[51] **LOC (6) Cl. 09-03**

[52] **U.S. Cl. D9/341**

[58] **Field of Search** D9/341, 346, 432,
D9/433; 229/117.15, 117.13, 119, 120.01,
120.07, 120.31, 120.36, 120.38, 160.2

[56] **References Cited**

U.S. PATENT DOCUMENTS

D. 329,375	9/1992	Bergman	D9/433	X
D. 333,931	3/1993	Wein	D9/432	X
639,269	12/1899	McMillin	229/120.31	
1,976,530	10/1934	Verhoven	229/160.2	X
3,383,027	5/1968	Brinkama et al.	229/120.07	
4,155,198	5/1979	Kelley	229/119	X
4,746,053	5/1988	Nichols	229/120.36	
5,597,113	1/1997	Bradford	229/120.38	X

FOREIGN PATENT DOCUMENTS

4128126 4/1992 Japan 229/120.31

OTHER PUBLICATIONS

Modern Packaging Encyclopedia, vol. 4117A, p. 351, cell
partions, 1968.

Primary Examiner—Philip S. Hyder

Assistant Examiner—Nanda Bondade

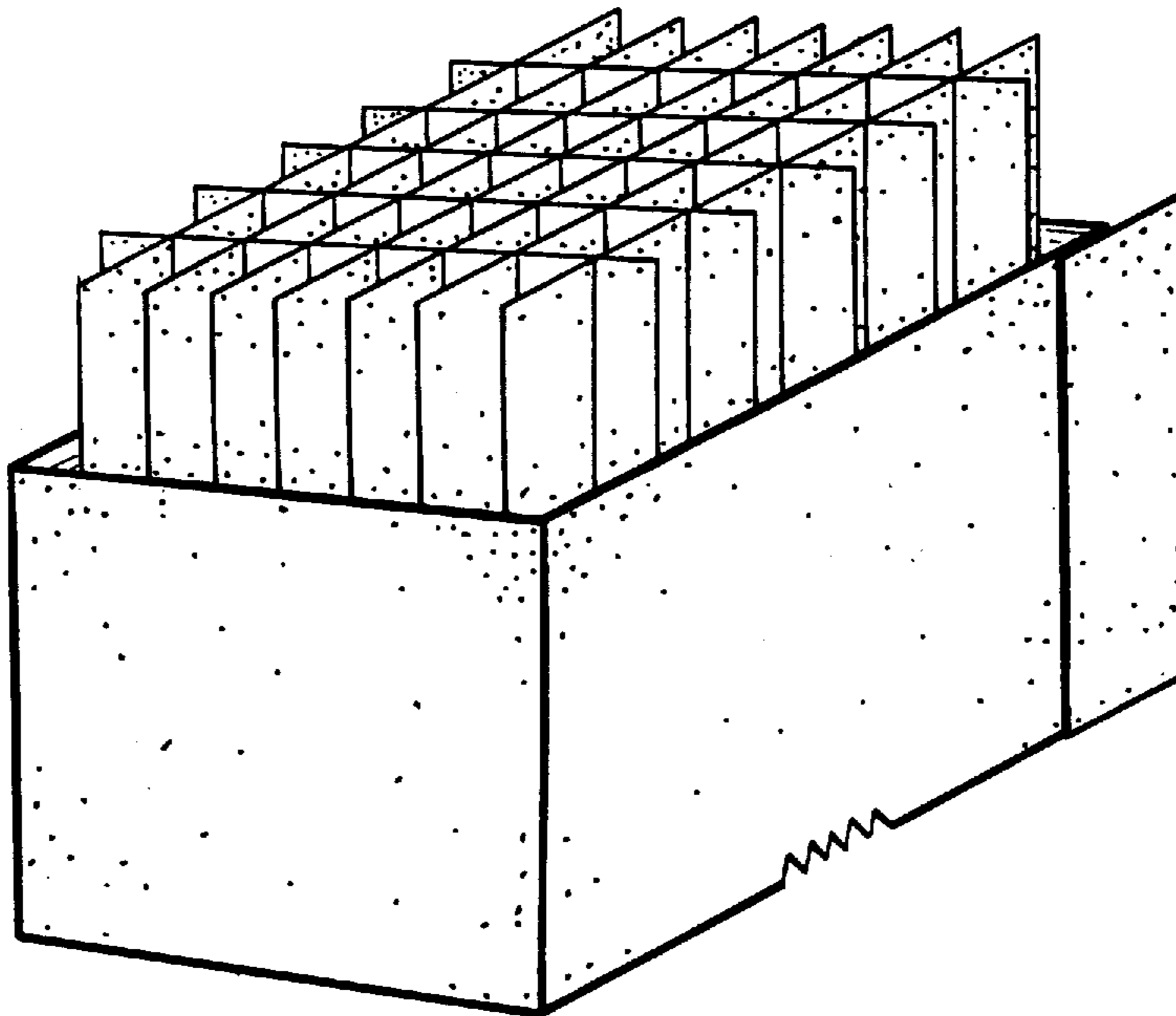
[57] **CLAIM**

The ornamental design for a box for flood control, as shown
and described.

DESCRIPTION

FIG. 1 is a perspective view of a box for flood control
showing my new design, with the grid partially withdrawn;
FIG. 2 is an exploded view, the bottom of which is com-
pletely open not requiring separate depiction;
FIG. 3 is a front, left and top perspective view of a box for
flood control showing my new design, the broken line
showing of the adjacent box is for illustrative purposes and
forms no part of the claimed design;
FIG. 4 is a rear elevational view; and,
FIG. 5 is a right side elevational view.

1 Claim, 2 Drawing Sheets



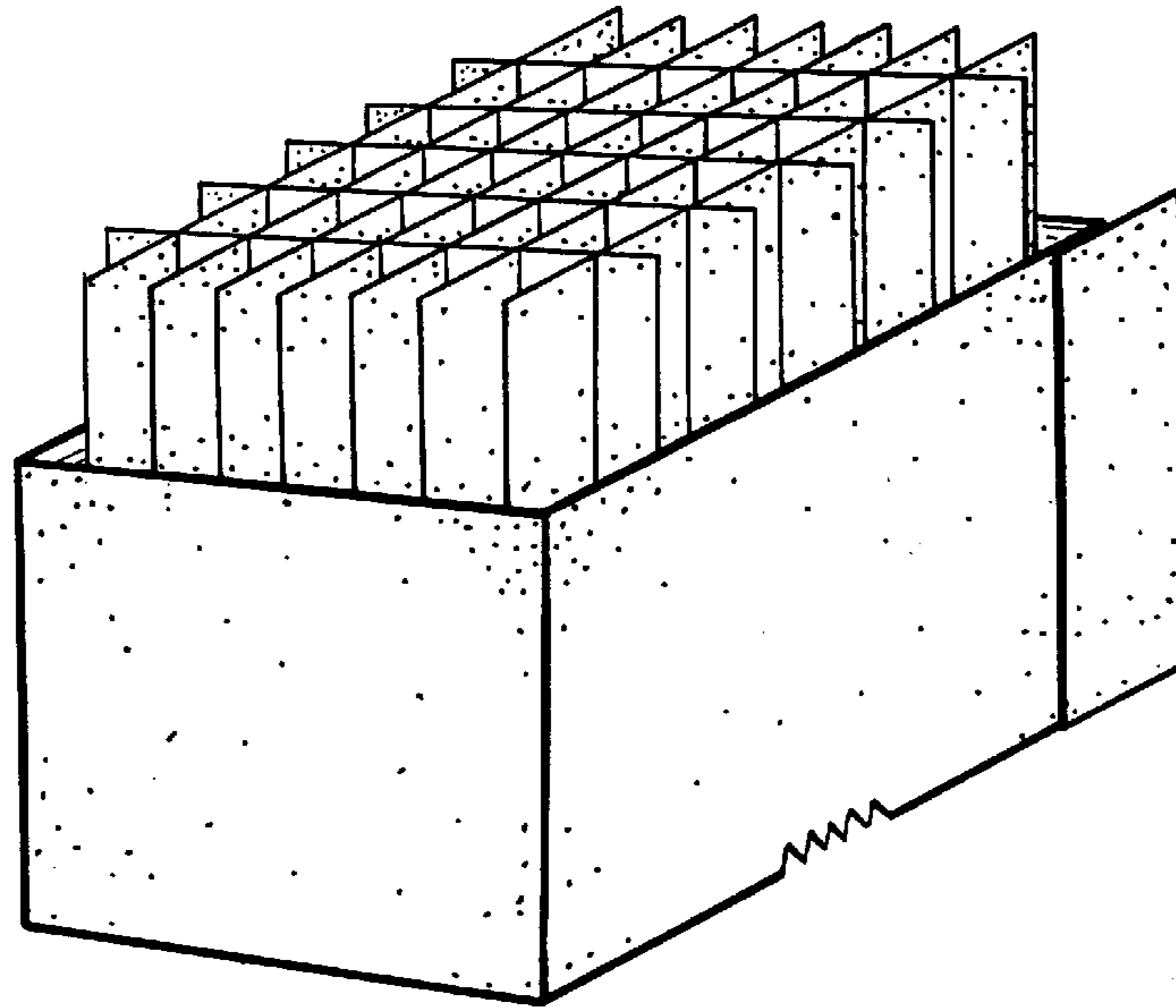


FIG. 1

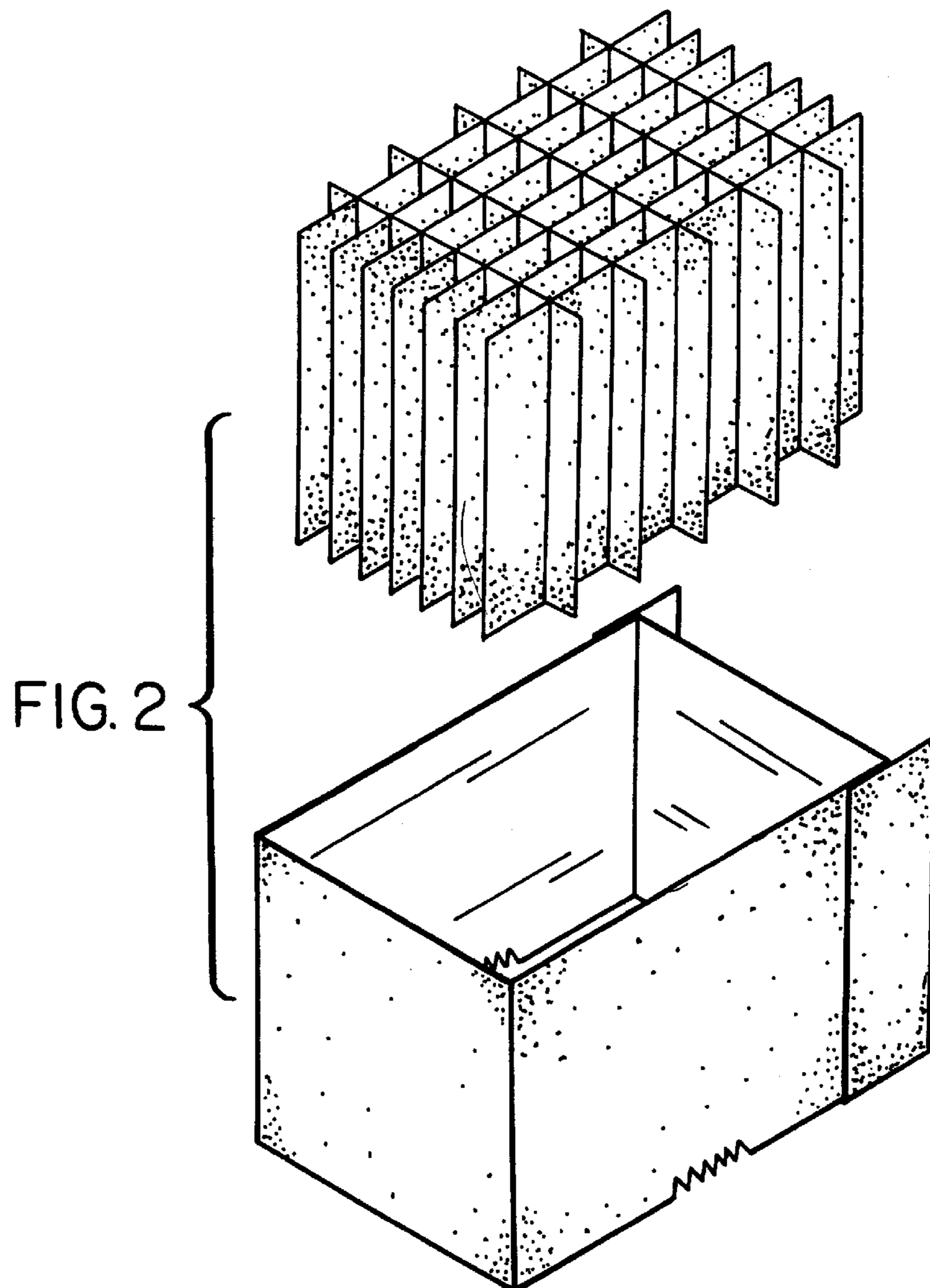


FIG. 2

