



US00D407010S

United States Patent [19]
Sobczynski

[11] **Patent Number: Des. 407,010**

[45] **Date of Patent: **Mar. 23, 1999**

[54] **BED BRACKET**

4,998,277 3/1991 Rioux, Jr. 5/503.1 X
5,588,166 12/1996 Burnett 5/503.1

[75] Inventor: **Michael A Sobczynski**, Cheektowaga,
N.Y.

Primary Examiner—Holly Baynham
Attorney, Agent, or Firm—Hodgson, Russ, Andrews, Woods
& Goodyear LLP

[73] Assignee: **Curbell, Inc.**, Orchard Park, N.Y.

[**] Term: **14 Years**

[57] **CLAIM**

[21] Appl. No.: **88,014**

The ornamental design for a bed bracket, as shown and described.

[22] Filed: **May 13, 1998**

DESCRIPTION

[51] **LOC (6) Cl.** **08-05**

FIG. 1 is a perspective view of a bed bracket according to the present invention;

[52] **U.S. Cl.** **D8/354**

FIG. 2 is a top view thereof;

[58] **Field of Search** D8/354, 349, 382;
248/215, 300, 201; 403/205; 5/503.1

FIG. 3 is a front view thereof;

FIG. 4 is a bottom view thereof;

FIG. 5 is a right side view thereof; and,

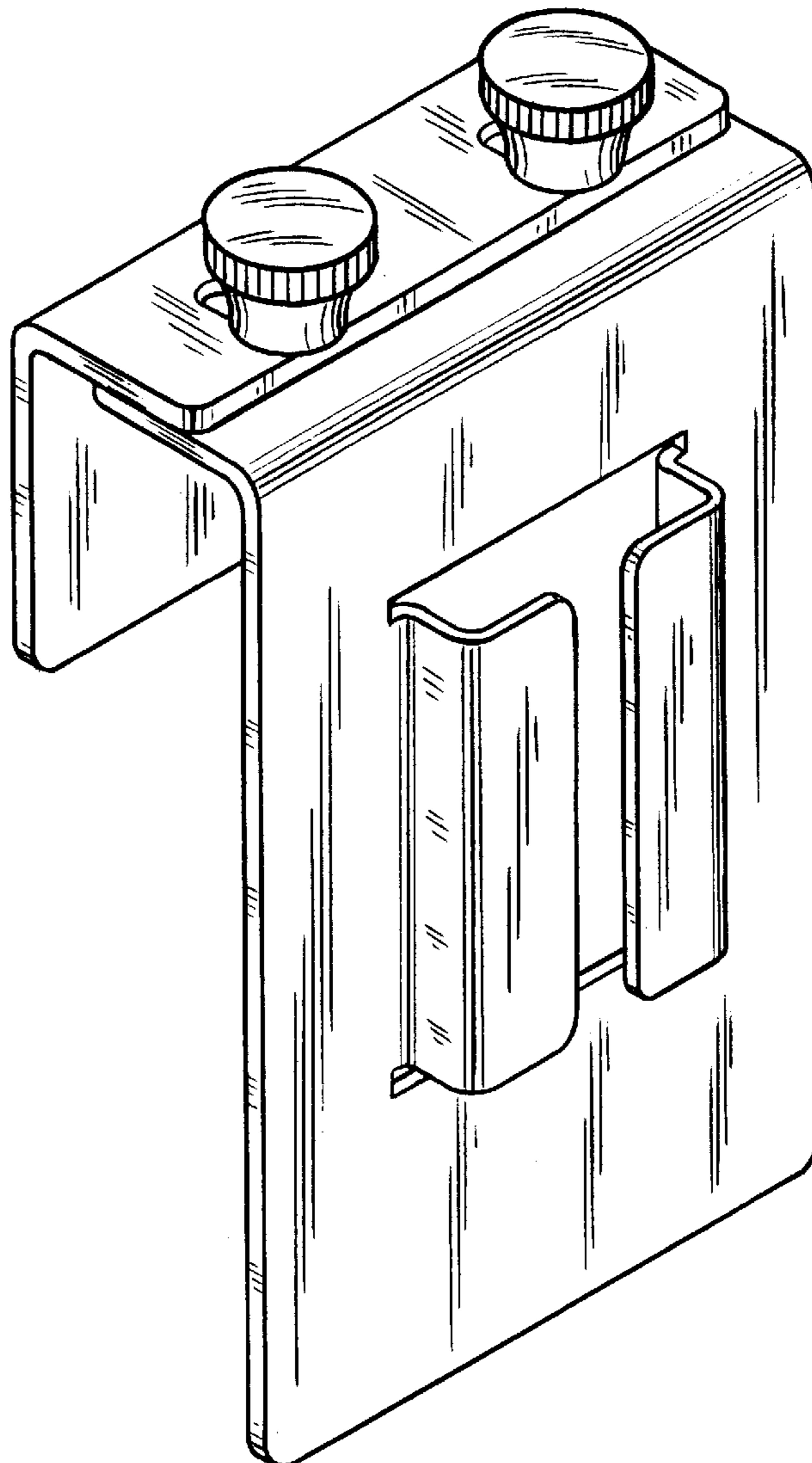
FIG. 6 is a back view thereof.

[56] **References Cited**

U.S. PATENT DOCUMENTS

D. 357,400 4/1995 Sachs D8/356
D. 384,877 10/1997 Perrin et al. D8/354

1 Claim, 3 Drawing Sheets



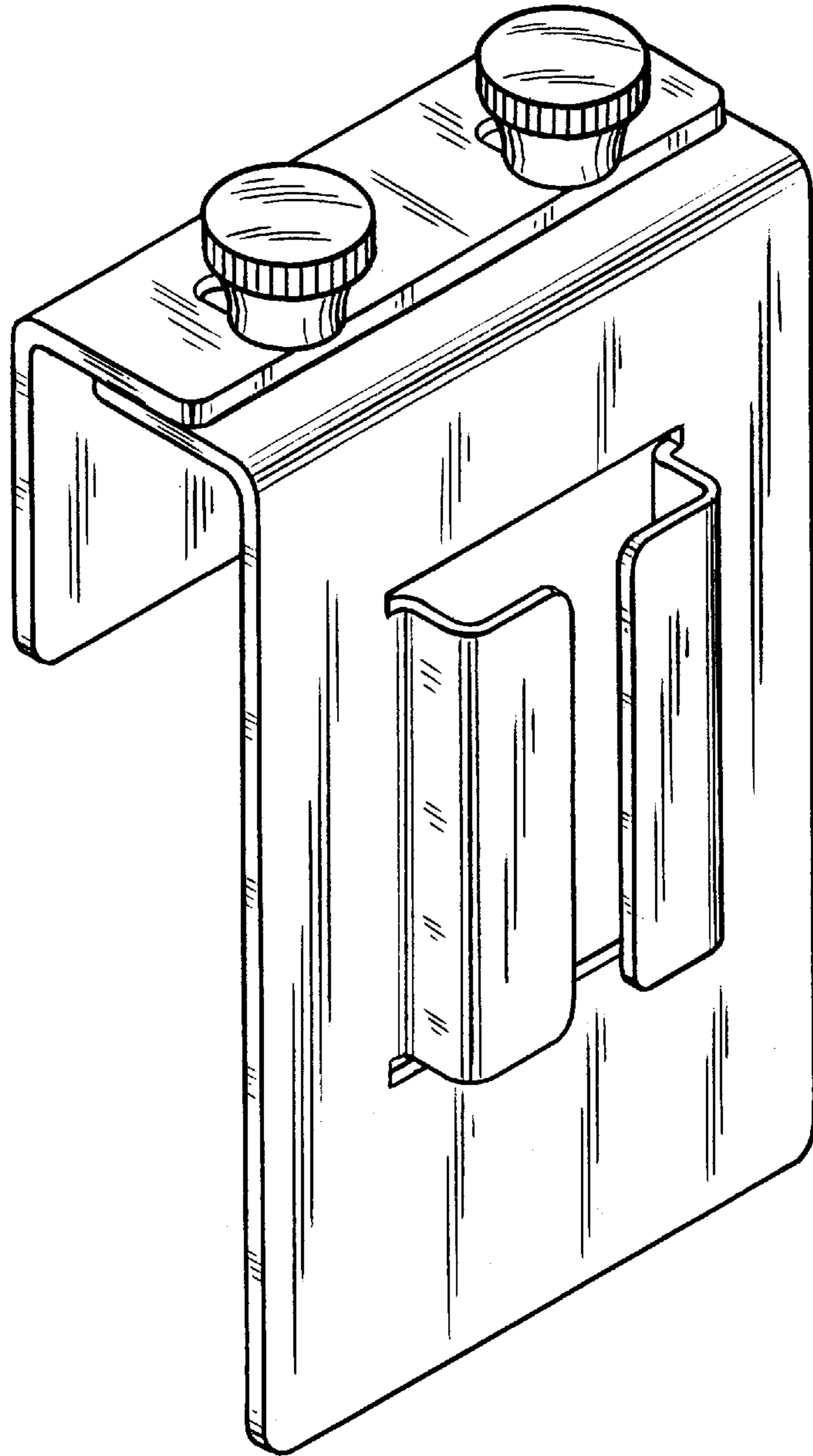


FIG. 1

FIG. 2

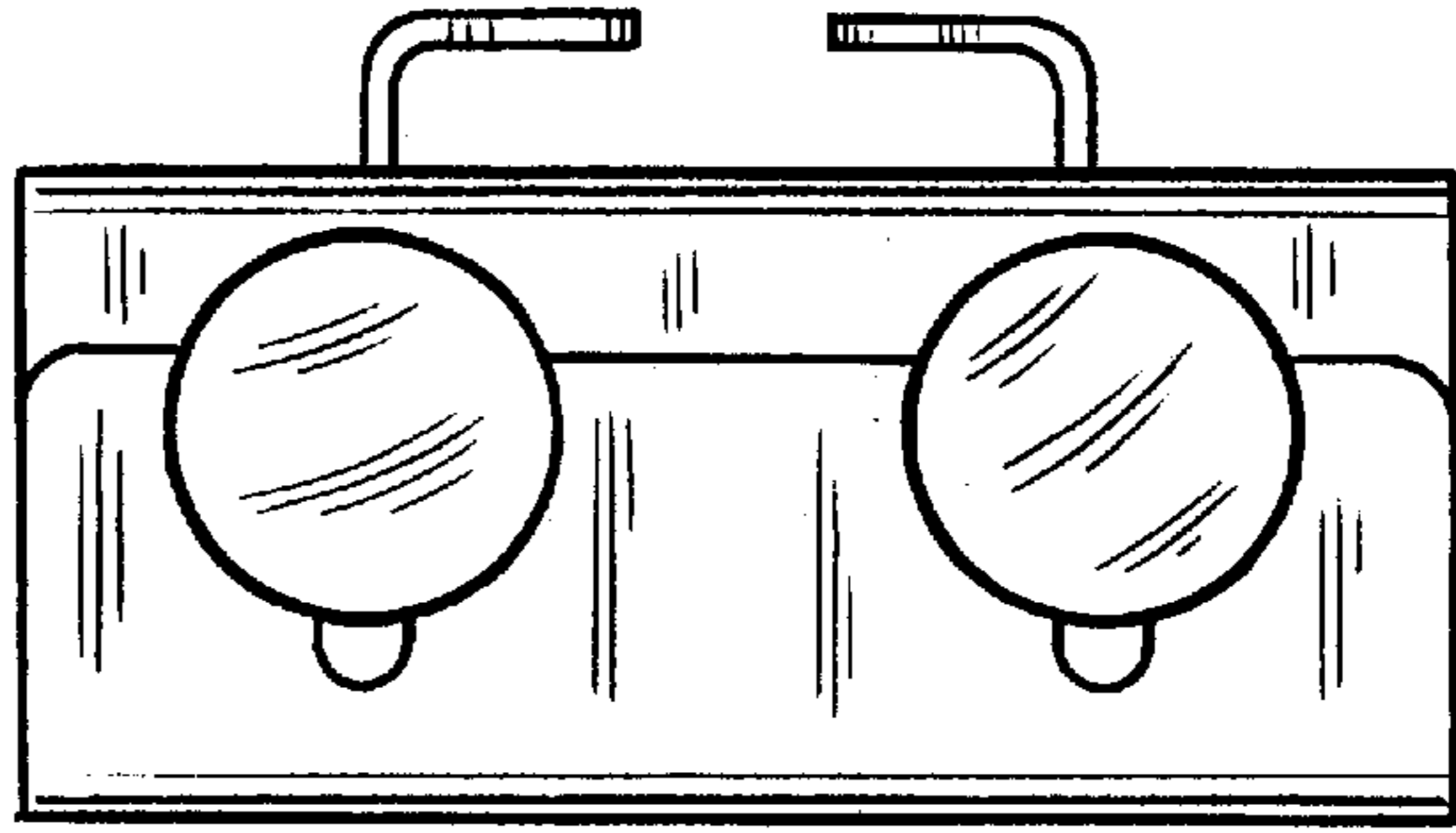


FIG. 3

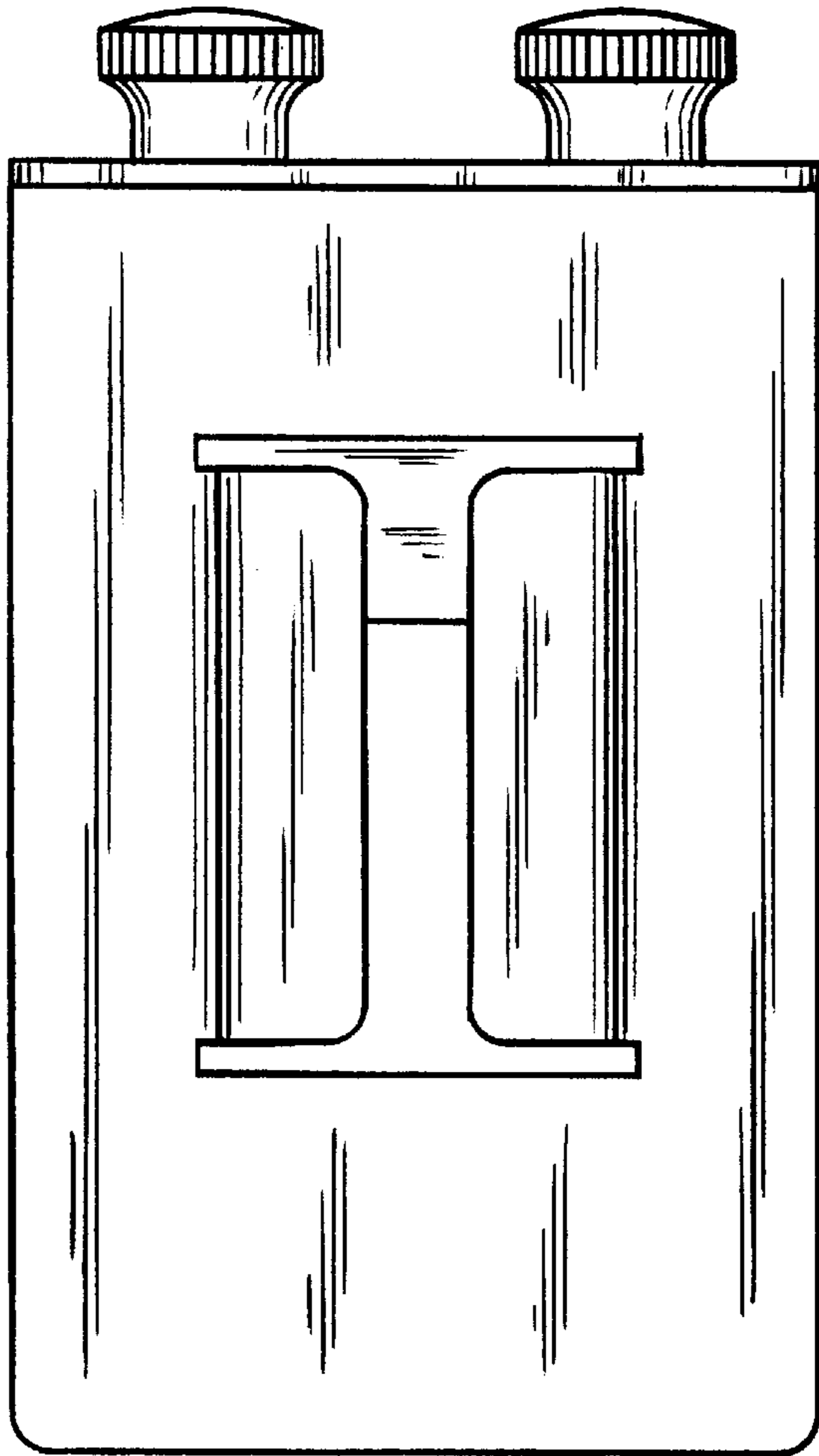
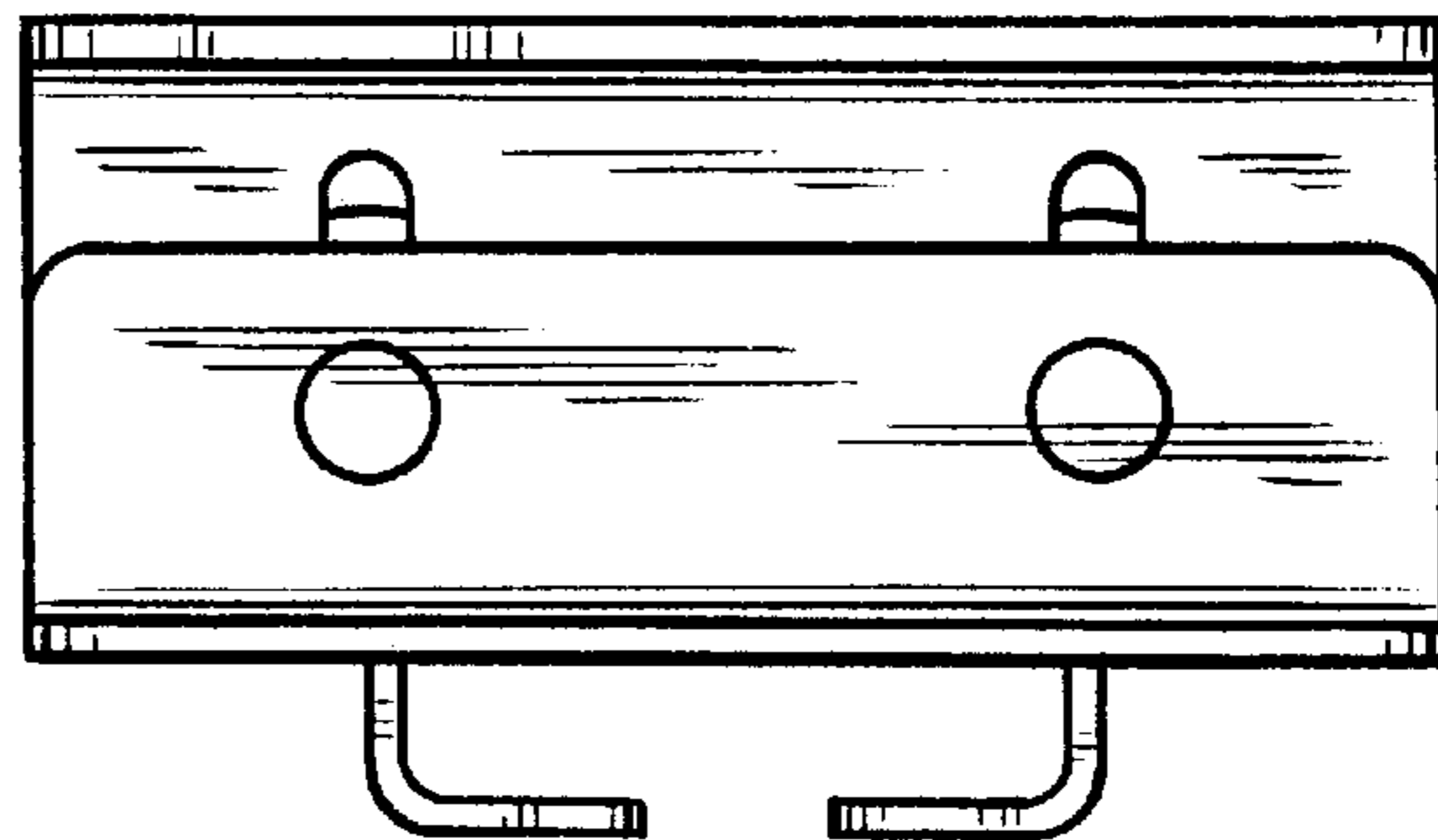


FIG. 4



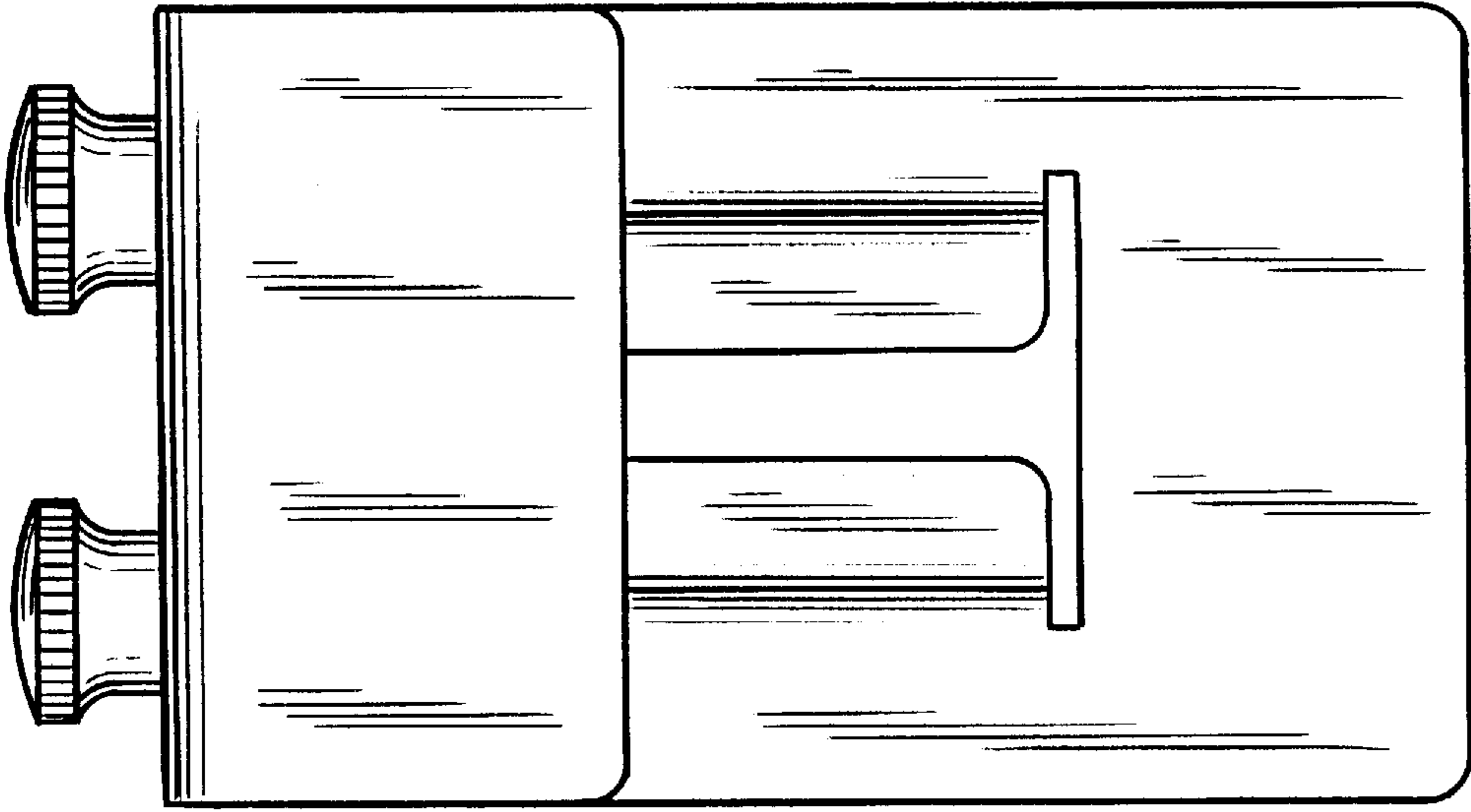


FIG. 6

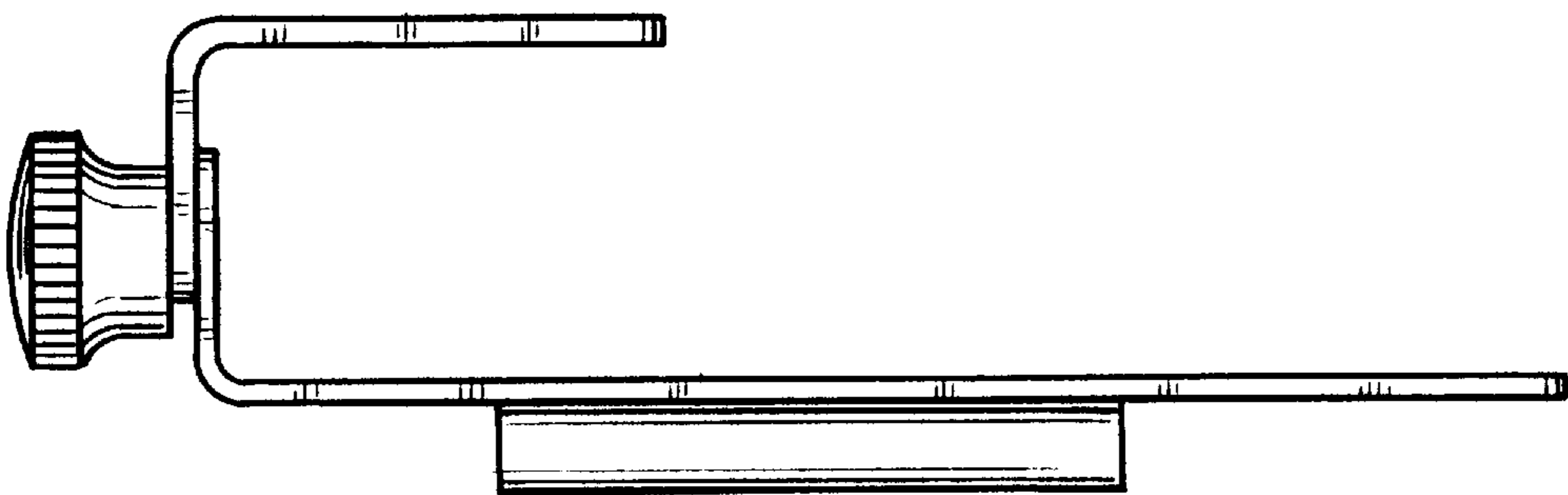


FIG. 5