



US00D406997S

United States Patent [19] Robbins

[11] **Patent Number: Des. 406,997**

[45] **Date of Patent: **Mar. 23, 1999**

[54] **FOLDABLE HAND TOOL**

[75] Inventor: **Richard J. Robbins**, Derby, Kans.

[73] Assignee: **Brunswick Corporation**, Tulsa, Okla.

[**] Term: **14 Years**

[21] Appl. No.: **63,898**

[22] Filed: **Dec. 18, 1996**

[51] **LOC (6) Cl. 08-05**

[52] **U.S. Cl. D8/55; D8/105**

[58] **Field of Search D8/14, 51, 52, D8/55, 105; 7/118, 128, 129, 132, 142, 163, 164, 168; 81/415, 427.5; 30/152**

[56] **References Cited**

U.S. PATENT DOCUMENTS

D. 368,634	4/1996	Frazer	D8/105
D. 382,182	8/1997	Seber et al.	D8/55
D. 384,872	10/1997	Veh	D8/105
4,238,862	12/1980	Leatherman	7/128
4,744,272	5/1988	Leatherman	7/128 X
5,212,844	5/1993	Sessions et al.	7/128
5,267,366	12/1993	Frazer	7/168 X
5,697,114	12/1997	McIntosh et al.	30/152 X

OTHER PUBLICATIONS

Hong Kong Enterprise, p. 179, see multi-tool shown top center Nov. 1985.

Handsome Rewards flyer—see featured multi-tool Jul. 1989.

York Master Tool flyer, see featured multi-tool May 1993.

Primary Examiner—Martie K. Holtje

Attorney, Agent, or Firm—Wood, Phillips, VanSanten, Clark & Mortimer

[57] **CLAIM**

The ornamental design for a foldable hand tool, as shown and described.

DESCRIPTION

FIG. 1 is a top, side and end perspective view of a foldable hand tool showing my new design in an operative state; FIG. 2 is a plan view thereof in the operative state; FIG. 3 is an elevation view thereof from the same side as in FIG. 1 and in the operative state; FIG. 4 is an elevation view thereof from the side opposite that in FIG. 3 and in the operative state; FIG. 5 is a front elevation view thereof in the operative state; FIG. 6 is a rear elevation view thereof in the operative state; FIG. 7 is a bottom view thereof in the operative state; FIG. 8 is a top, side and end perspective view thereof in a storage state; FIG. 9 is a plan view thereof in the storage state; FIG. 10 is an elevation view thereof from the same side as in FIG. 1 and in the storage state; FIG. 11 is an elevation view from the same end as in FIG. 1 and in the storage state; and, FIG. 12 is an elevation view thereof from the end opposite to that in FIG. 11 and in the storage state.

The portions of the foldable hand tool shown in dotted lines are for illustrative purposes only and do not constitute a part of the claimed design.

1 Claim, 3 Drawing Sheets

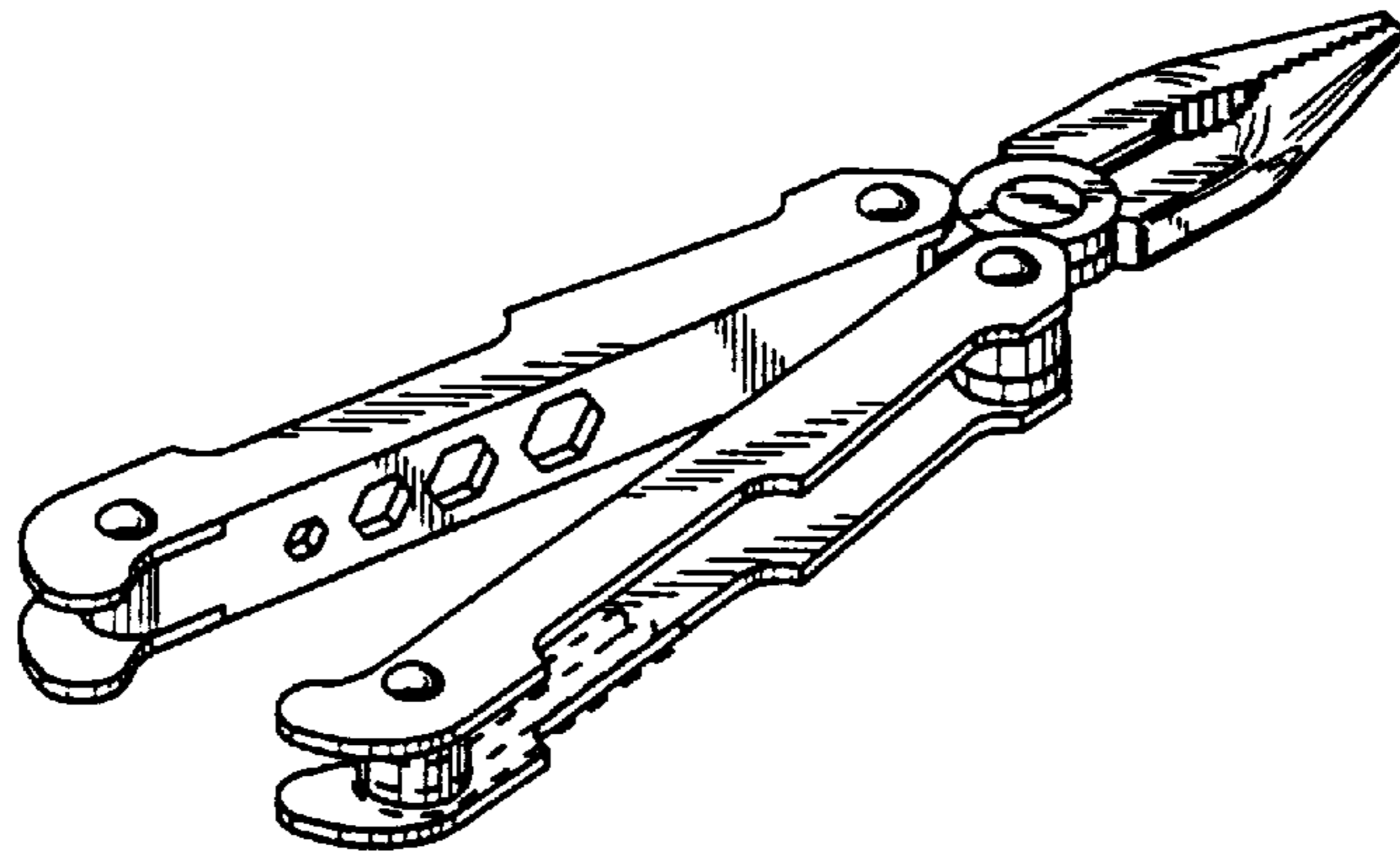


Fig. 1

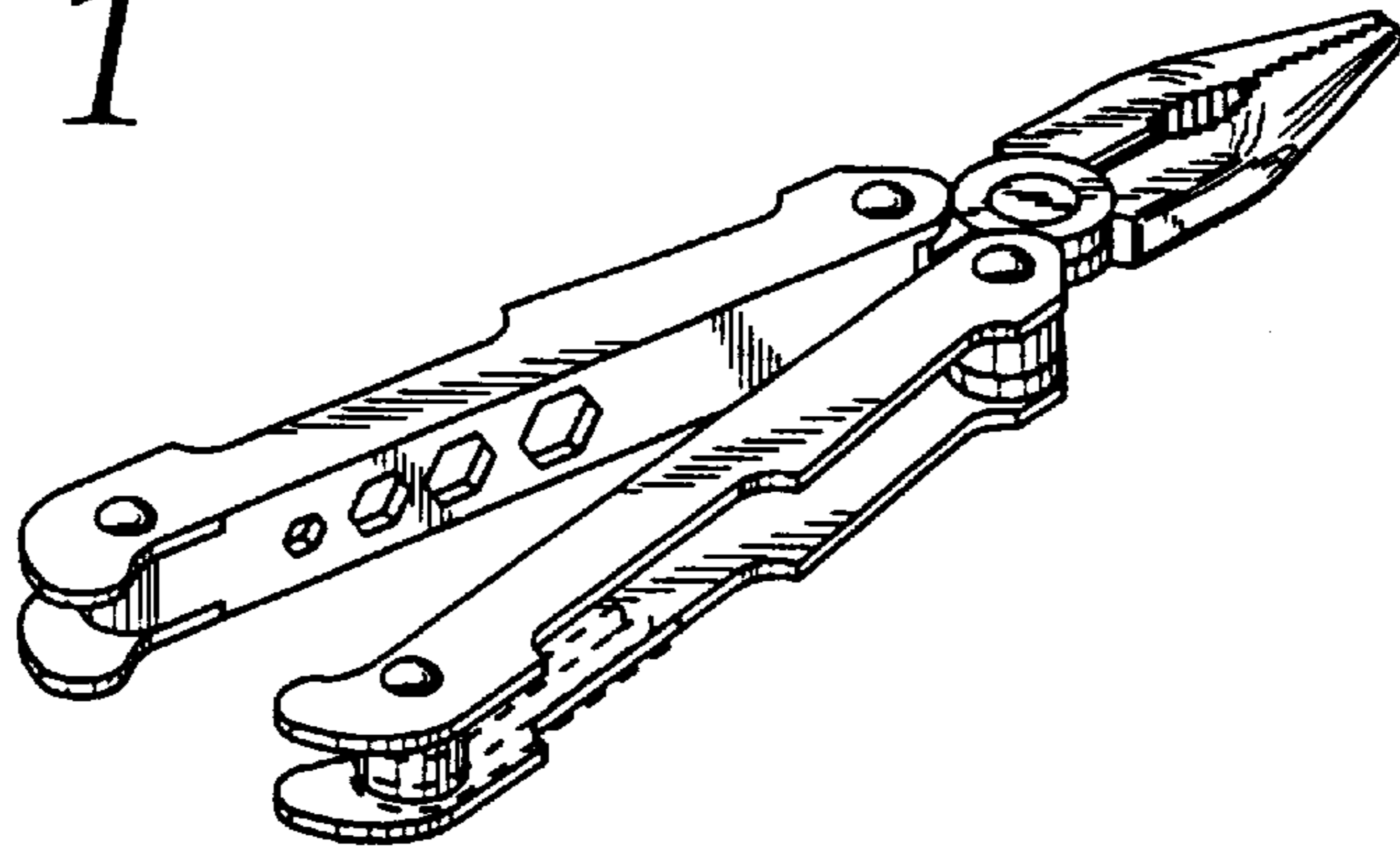


Fig. 2

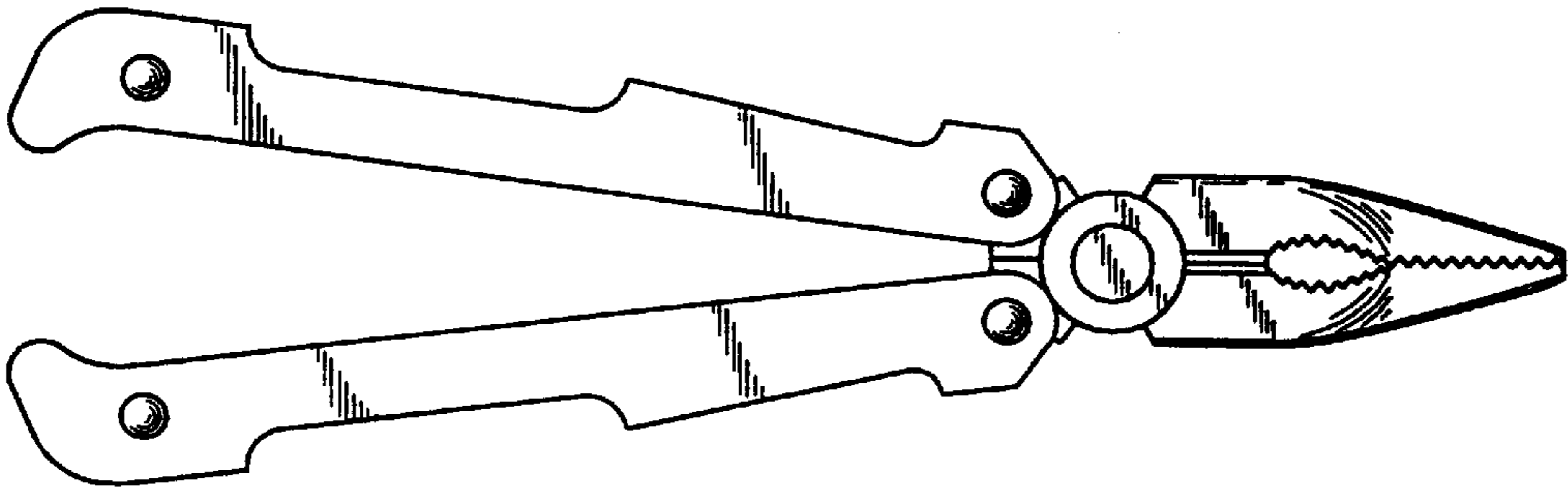


Fig. 3

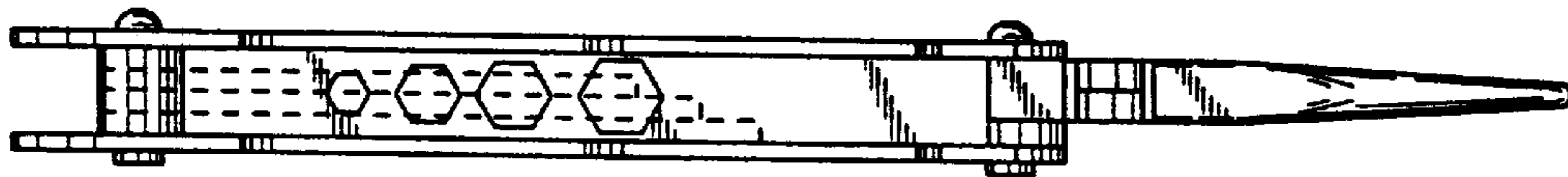


Fig. 4

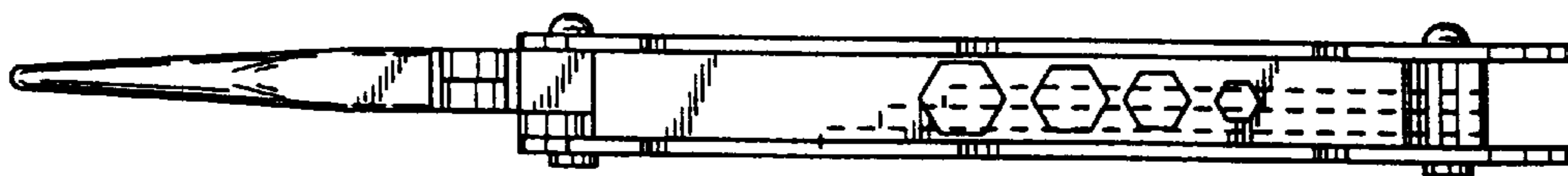


Fig. 5

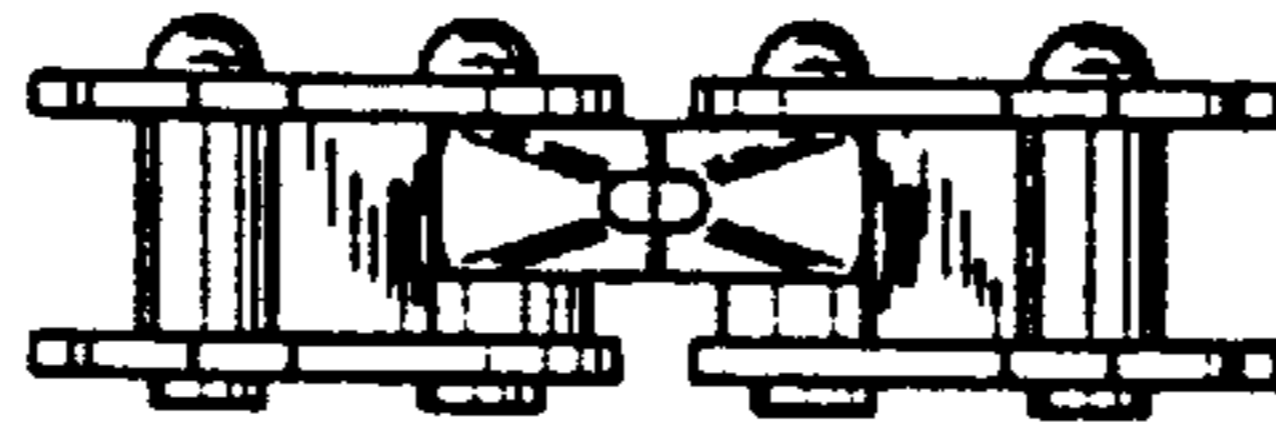


Fig. 6

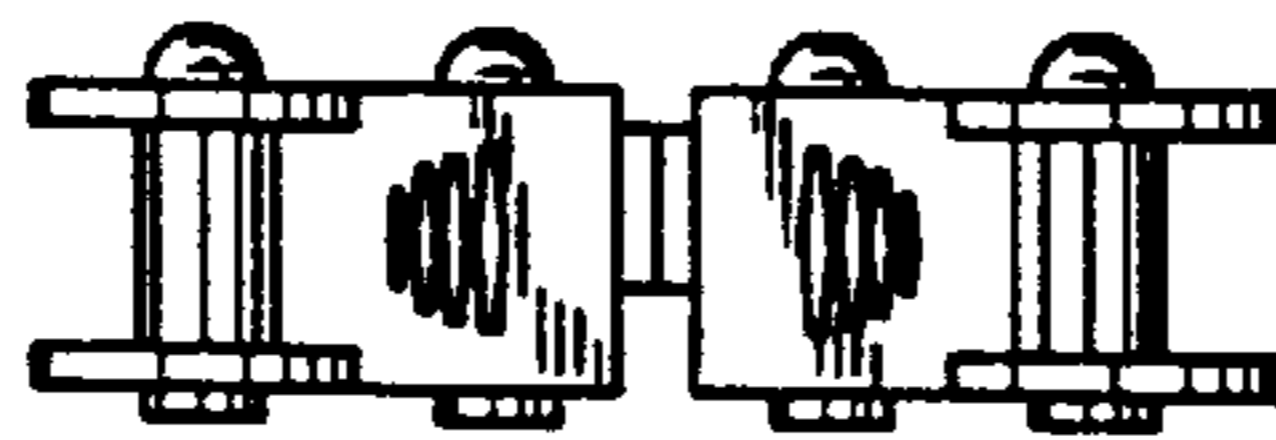


Fig. 7

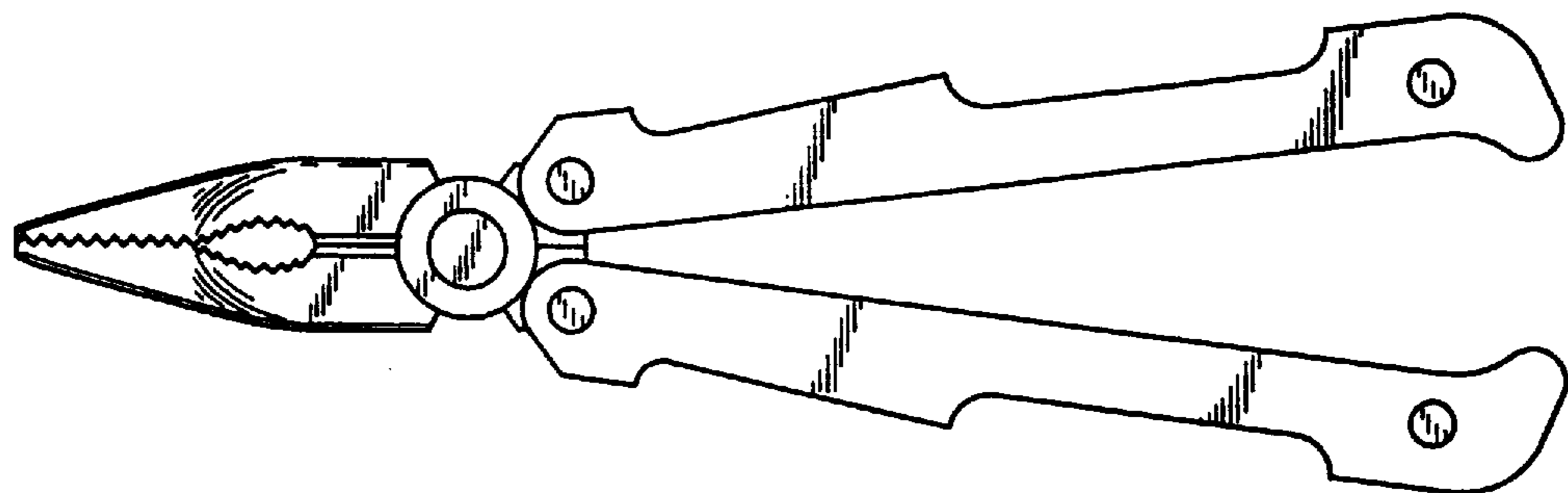


Fig. 8

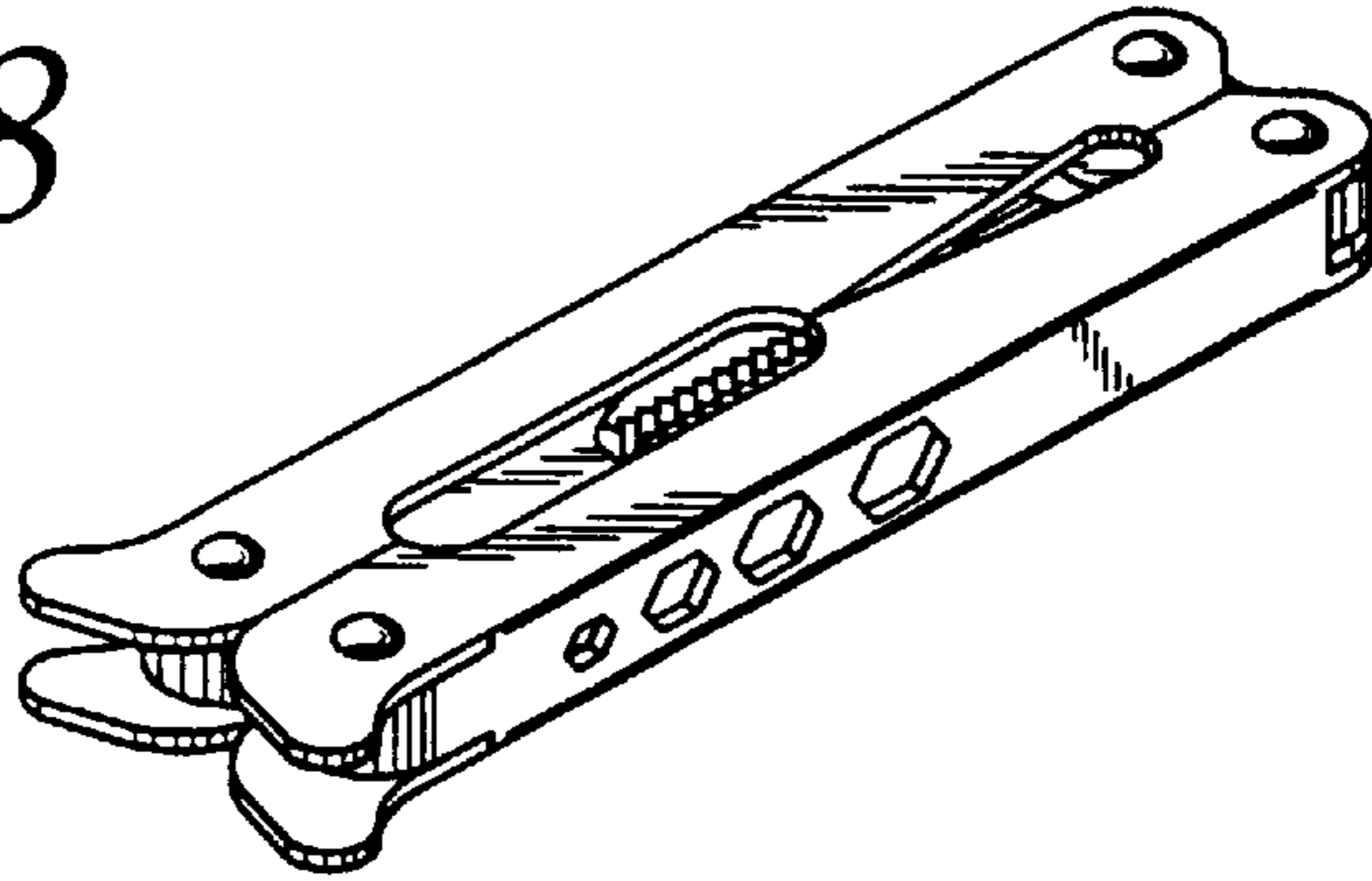


Fig. 9

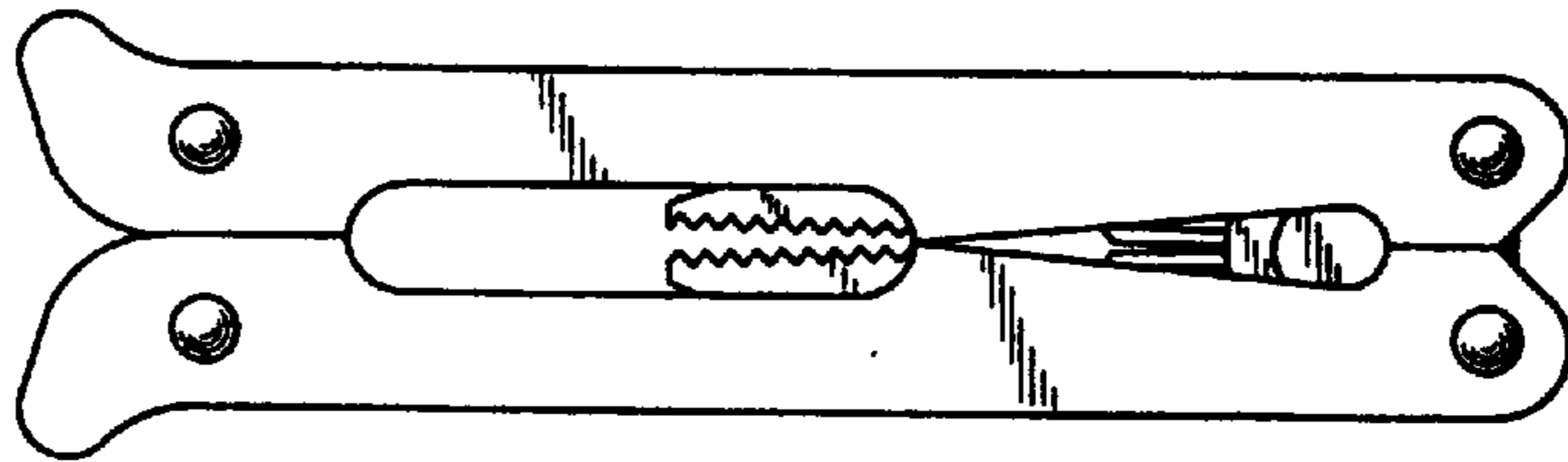


Fig. 10

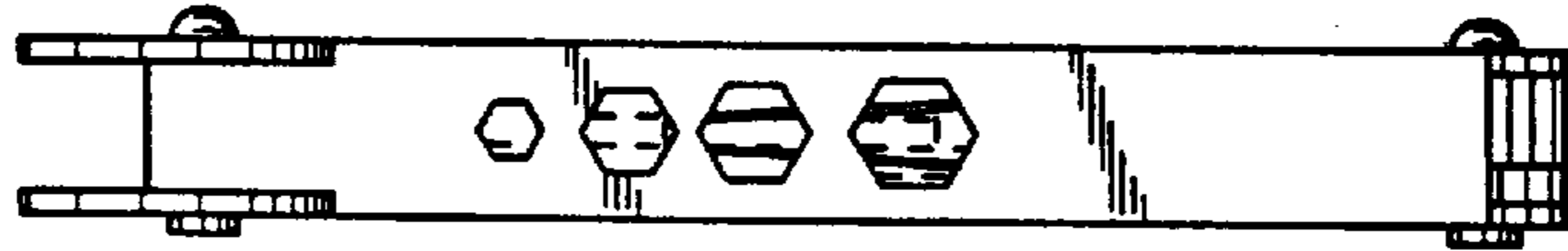


Fig. 11

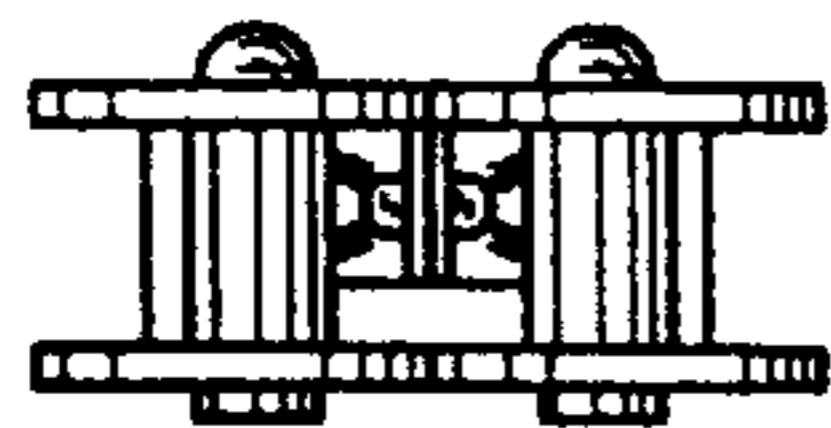


Fig. 12

