



US00D406992S

United States Patent [19] Cheng

[11] **Patent Number: Des. 406,992**

[45] **Date of Patent: **Mar. 23, 1999**

[54] **GLUE GUN**

[75] Inventor: **James Cheng**, Chia Yi Hsien, Taiwan

[73] Assignee: **Homease Industrial Co., Ltd.**, Chia Yi Hsien, Taiwan

[**] Term: **14 Years**

[21] Appl. No.: **85,139**

[22] Filed: **Mar. 17, 1998**

[51] **LOC (6) Cl. 08-05**

[52] **U.S. Cl. D8/30**

[58] **Field of Search** D8/14.1, 29.2,
D8/30, 61, 68; 219/227, 229, 242, 259;
222/146.1, 327, 391

[56] **References Cited**

U.S. PATENT DOCUMENTS

D. 303,612 9/1989 Knispel D8/14.1

D. 307,379 4/1990 Knispel D8/14.1
D. 316,019 4/1991 Belanger D8/30
D. 316,215 4/1991 Belanger D8/30

Primary Examiner—Terry A. Wallace
Attorney, Agent, or Firm—Larson & Taylor

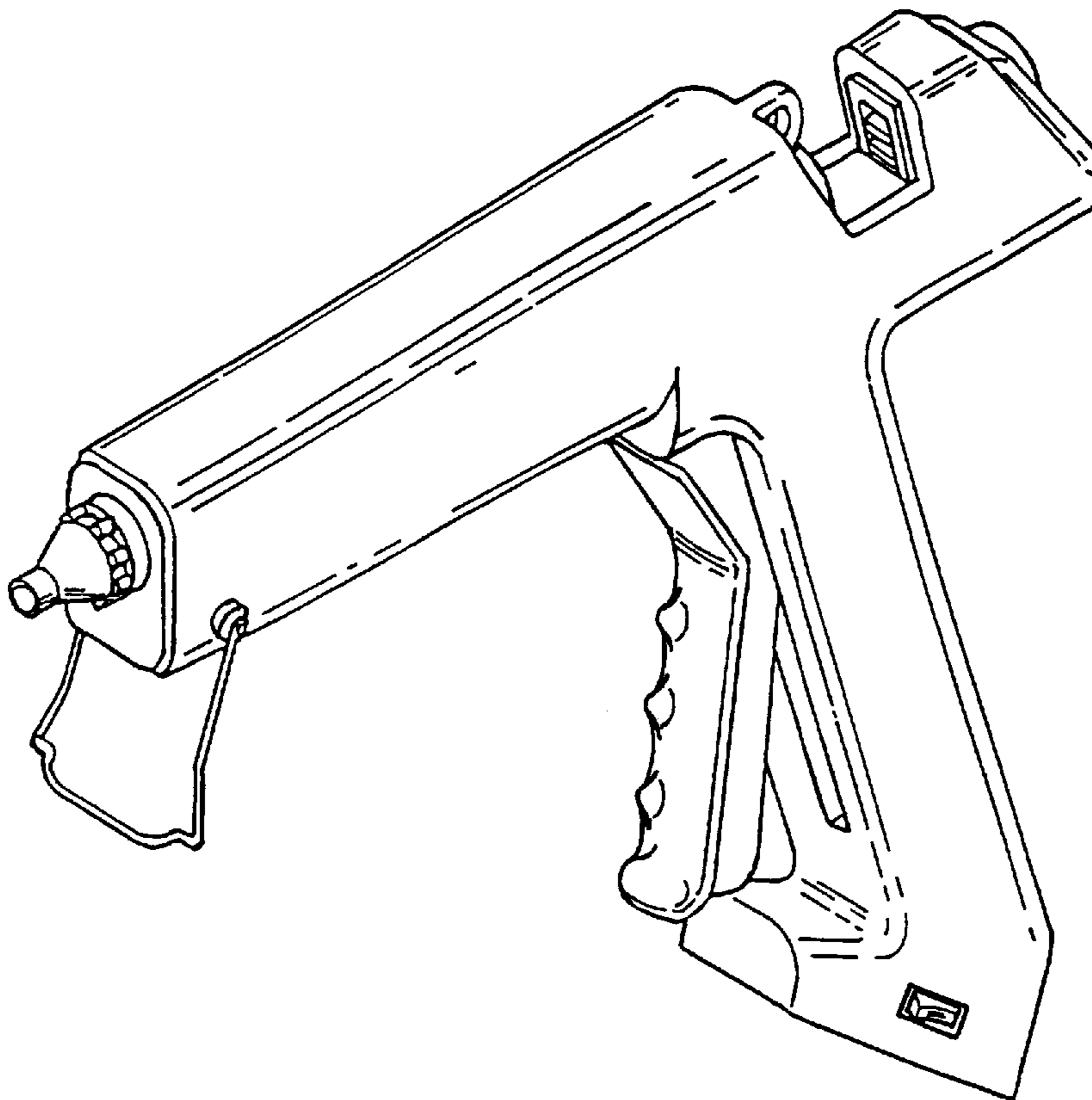
[57] **CLAIM**

The ornamental design for a glue gun, as shown.

DESCRIPTION

FIG. 1 is a perspective view of the glue gun showing my new design;
FIG. 2 is a top plan view thereof;
FIG. 3 is a front elevational view thereof;
FIG. 4 is a left side elevational view thereof;
FIG. 5 is a right side elevational view thereof;
FIG. 6 is a rear elevational view thereof; and,
FIG. 7 is a bottom plan view thereof.

1 Claim, 3 Drawing Sheets



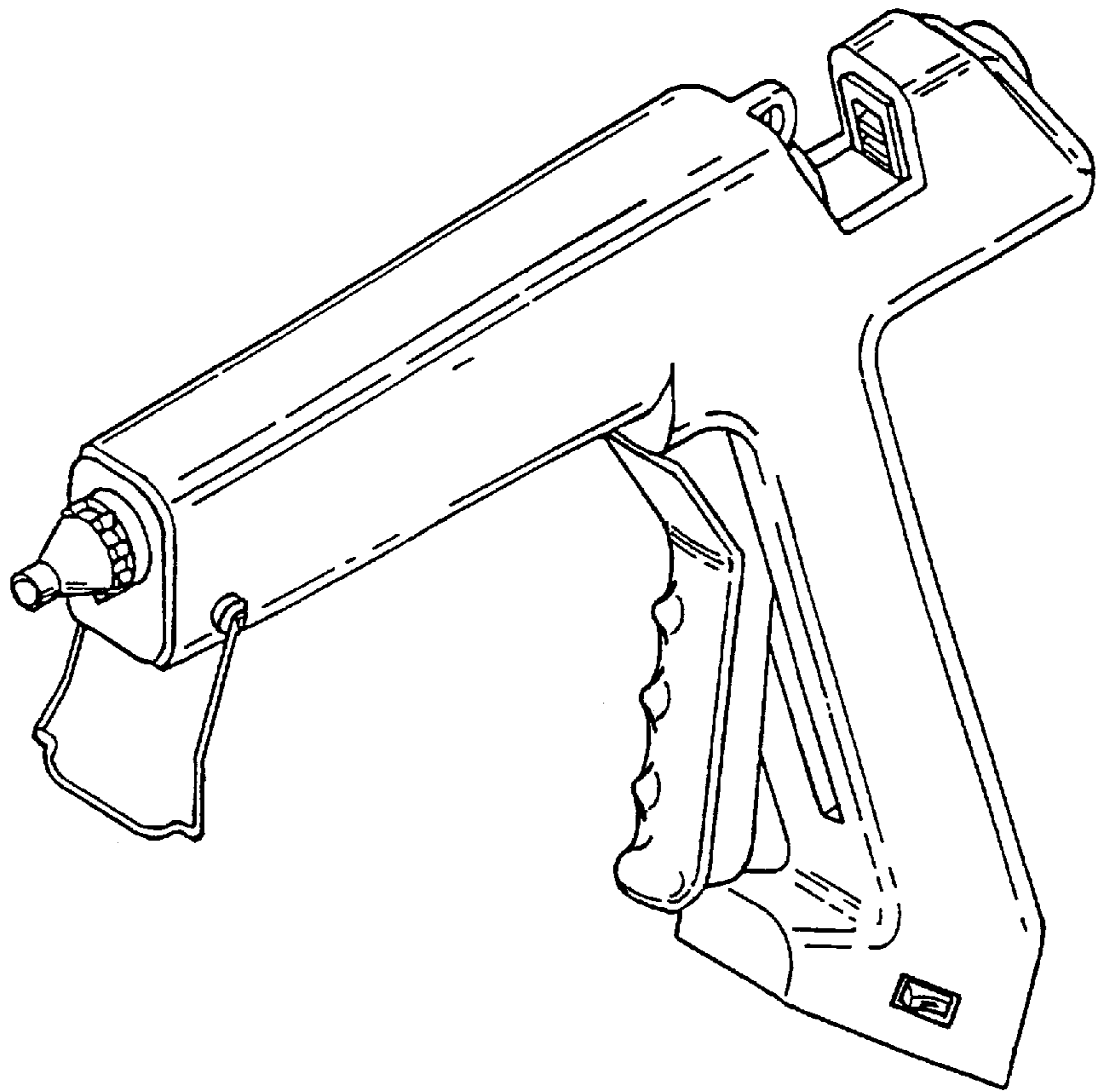


FIG. 1

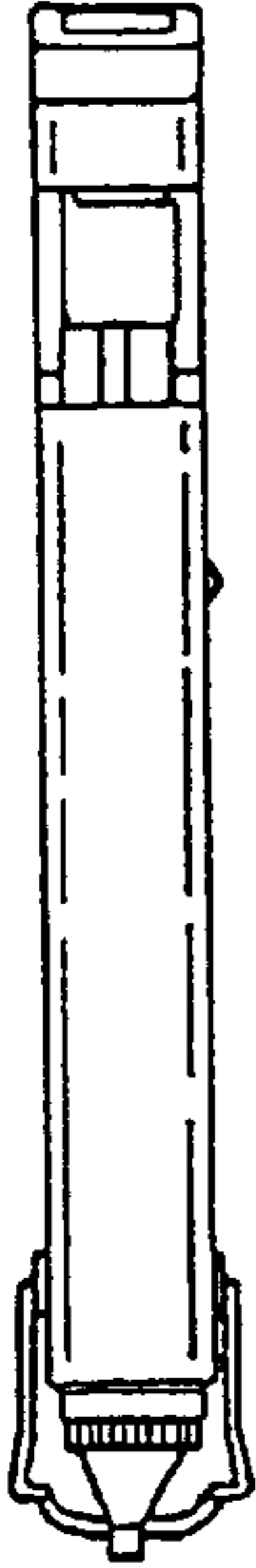


FIG. 2

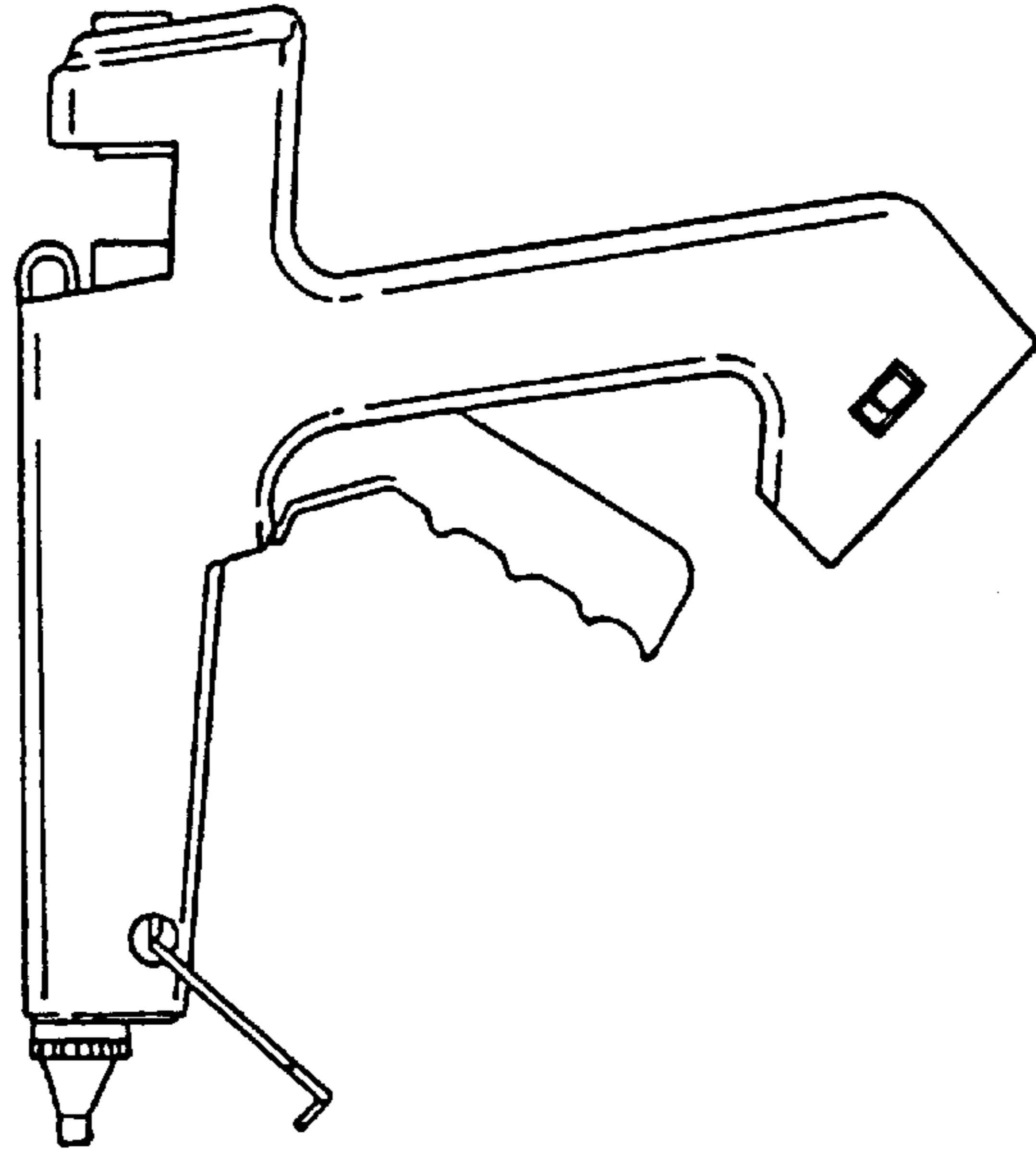


FIG. 3

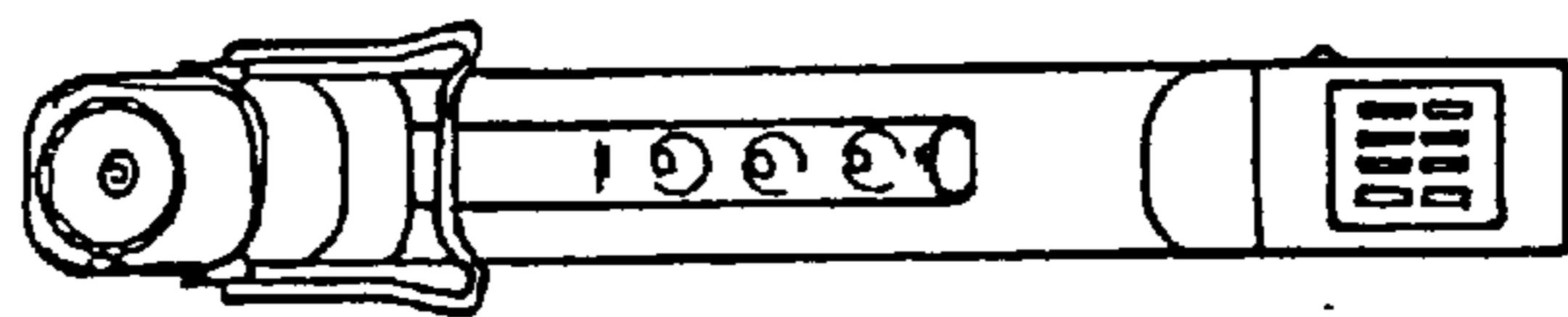


FIG. 4

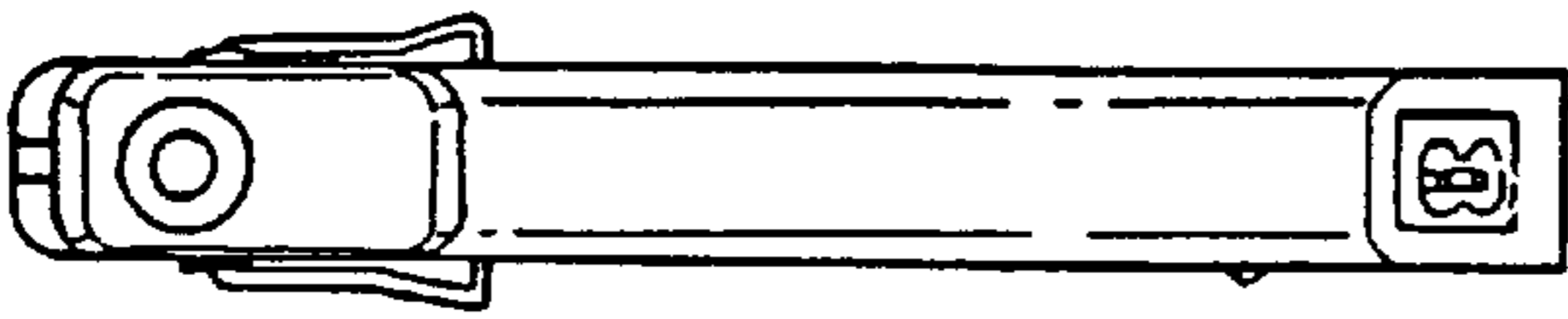


FIG. 5

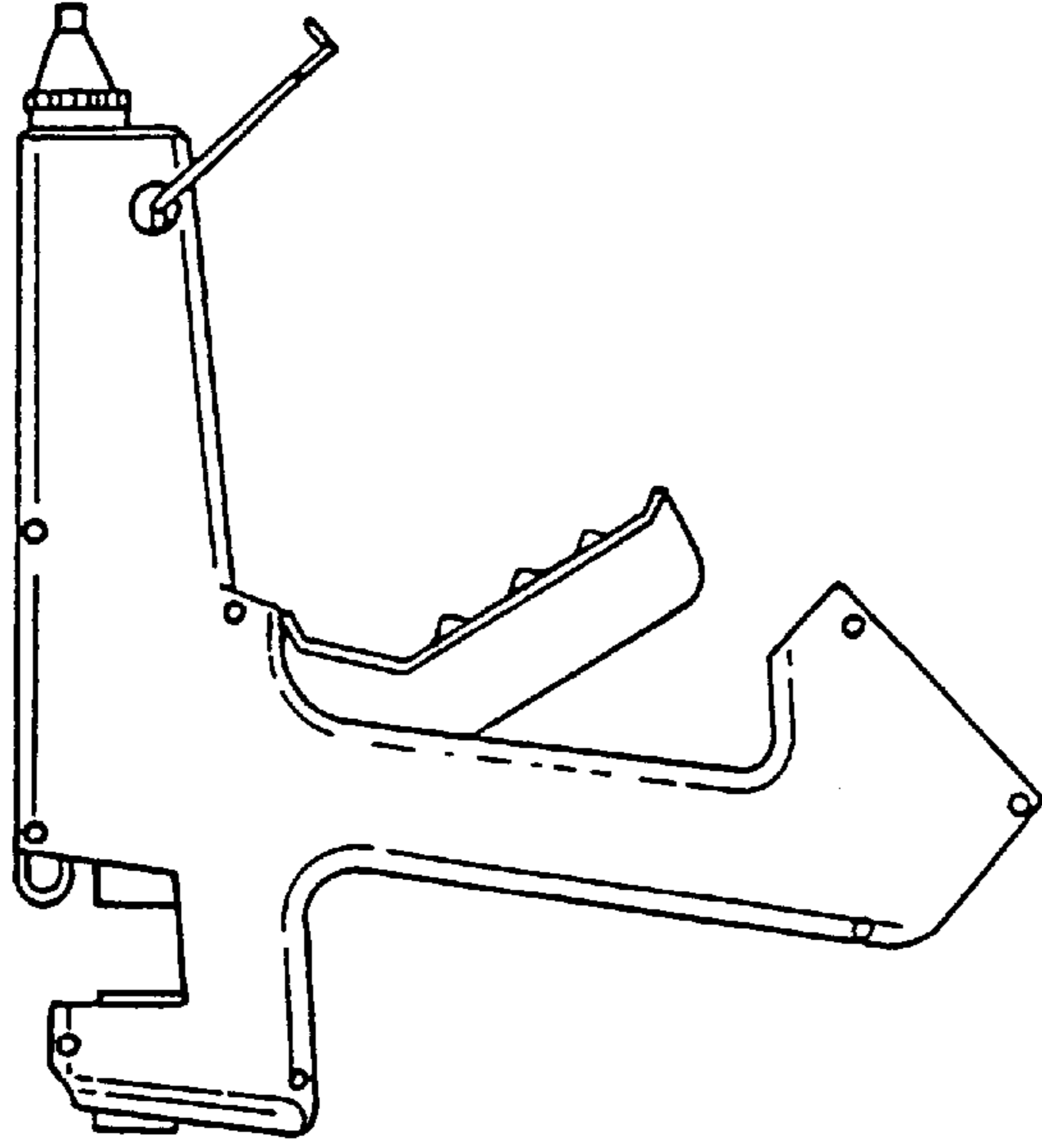


FIG. 6

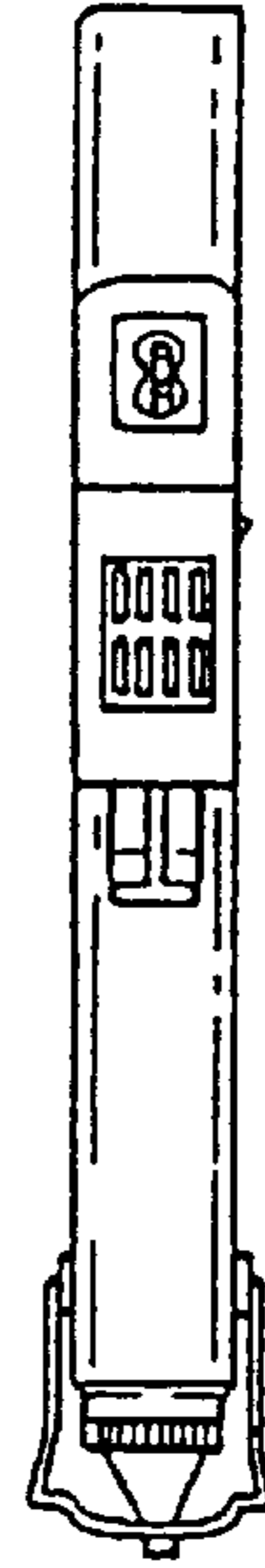


FIG. 7