



US00D406990S

United States Patent [19] Ocampo

[11] **Patent Number: Des. 406,990**

[45] **Date of Patent: **Mar. 23, 1999**

[54] **MEAT SLICER**

[76] **Inventor: Ronald C. Ocampo, 351 Green Hills Dr., Millbrae, Calif. 94030**

[**] **Term: 14 Years**

[21] **Appl. No.: 87,495**

[22] **Filed: May 4, 1998**

[51] **LOC (6) Cl. 07-04**

[52] **U.S. Cl. D7/674; D7/673**

[58] **Field of Search D7/673, 674; 30/116, 30/117; 99/538; 83/651.1, 662**

[56] **References Cited**

U.S. PATENT DOCUMENTS

D. 164,693	10/1951	Koons .	
D. 230,928	3/1974	Lax	D7/673
D. 293,194	12/1987	Kreth	D7/381
D. 297,798	9/1988	Leung	D7/673
D. 379,745	6/1997	So	D7/673
3,163,192	12/1964	Lupoli	99/538
3,227,574	1/1966	Giasi	83/651.1

4,960,021	10/1990	Carney	83/120
5,161,447	11/1992	Emsens	83/751
5,692,424	12/1997	Wallace	83/651.1 X

Primary Examiner—Terry A. Wallace
Attorney, Agent, or Firm—Goldstein & Canino

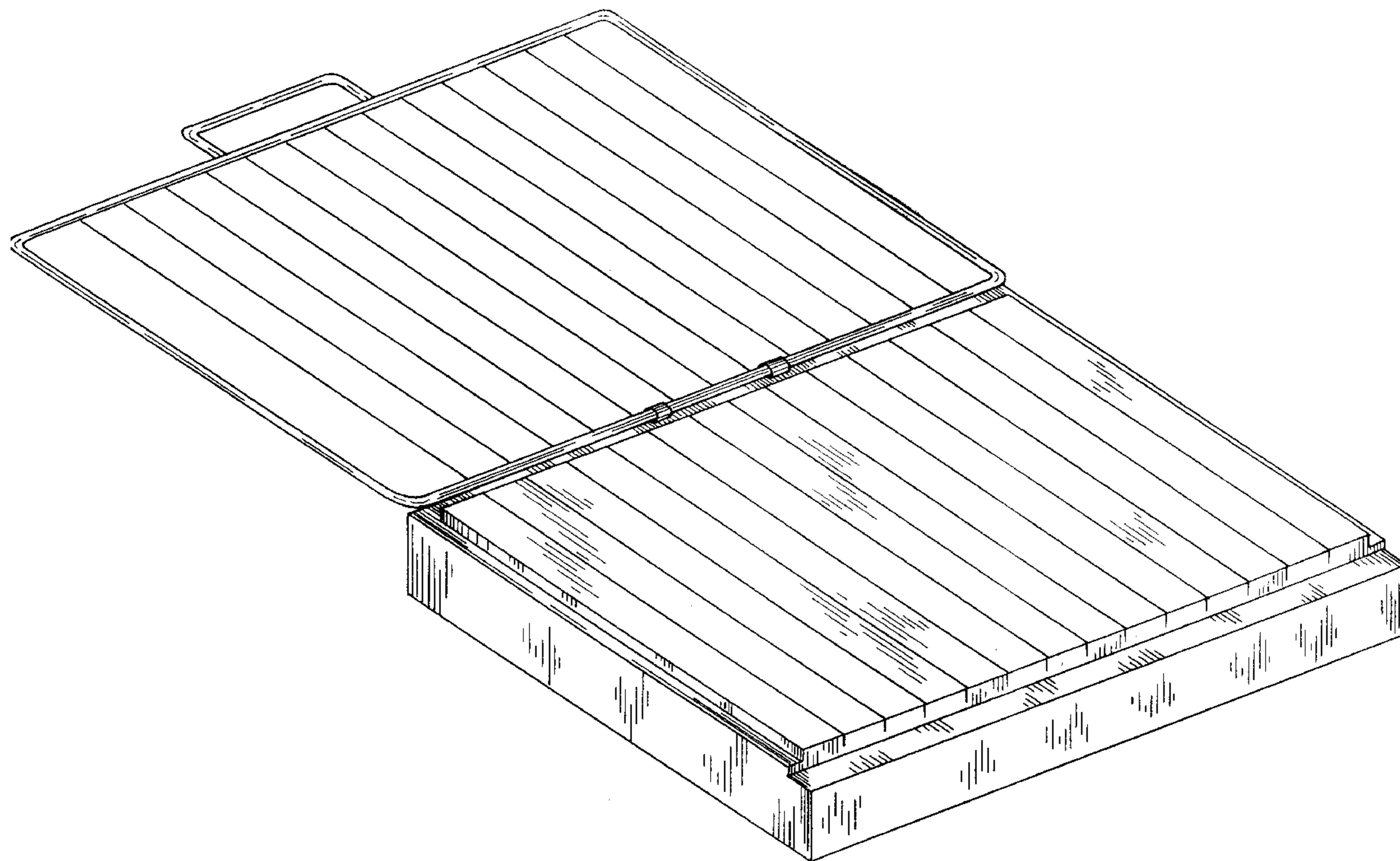
[57] **CLAIM**

The ornamental design for a meat slicer, as shown and described.

DESCRIPTION

FIG. 1 is a perspective view of a meat slicer showing my new design;
FIG. 2 is a perspective view thereof, the meat is shown in broken lines for illustrative purposes only and forms no part of the claimed design;
FIG. 3 is a top plan view thereof;
FIG. 4 is a bottom plan view thereof;
FIG. 5 is a front elevation view thereof;
FIG. 6 is a rear elevation view thereof; and,
FIG. 7 is a right side elevation view thereof, the opposite side being a mirror image.

1 Claim, 4 Drawing Sheets



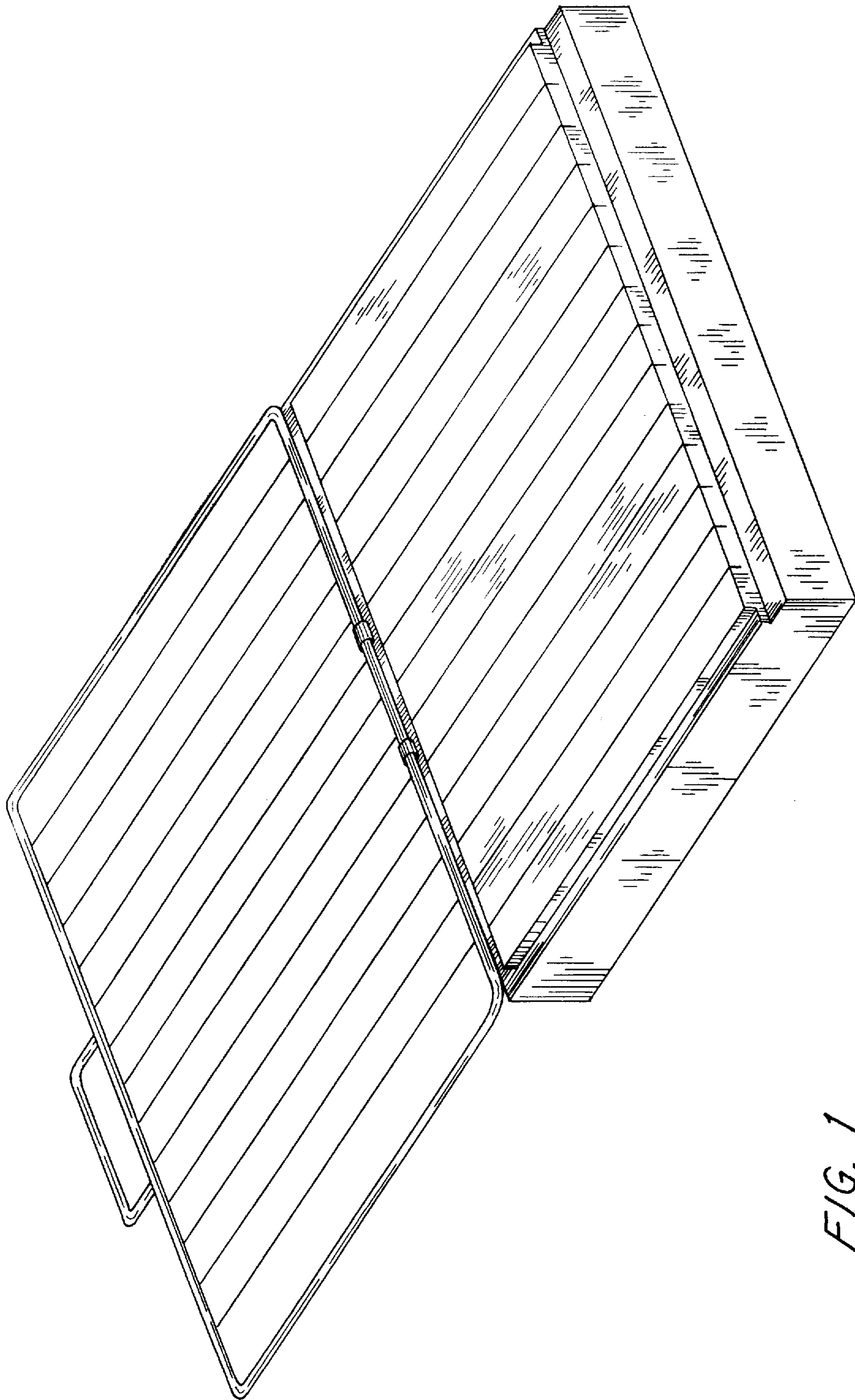


FIG. 1

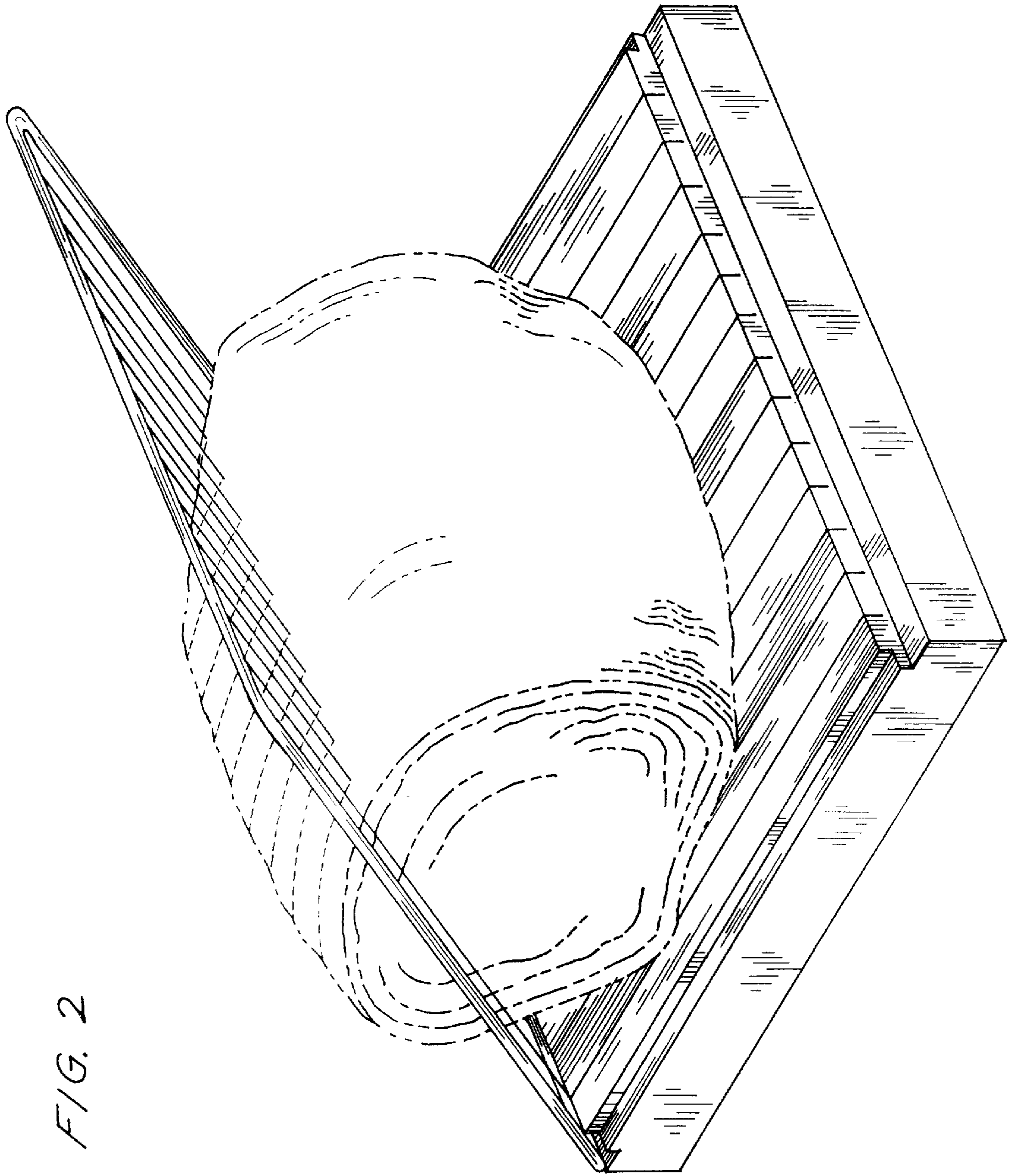


FIG. 2

FIG. 4

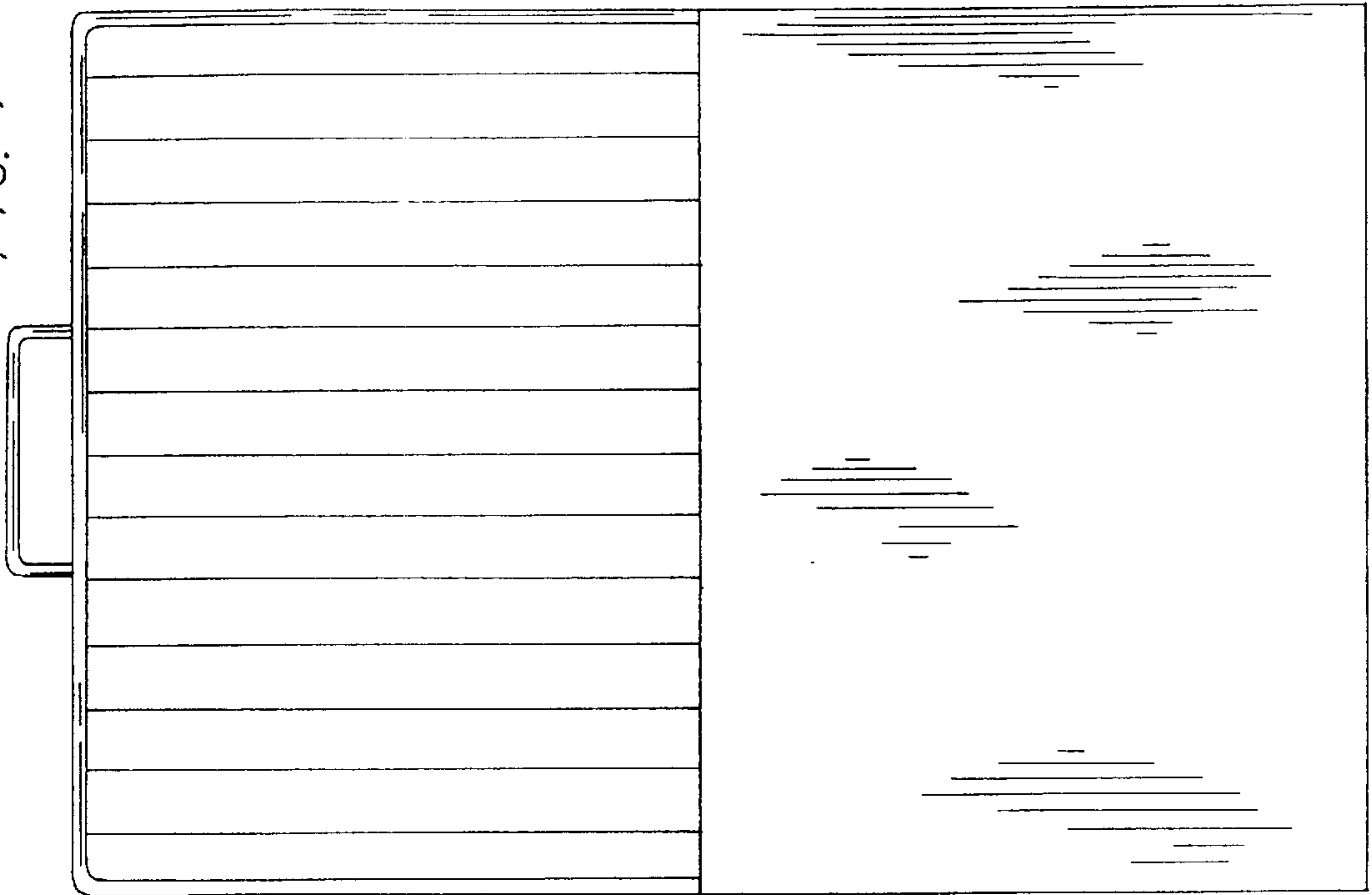


FIG. 3

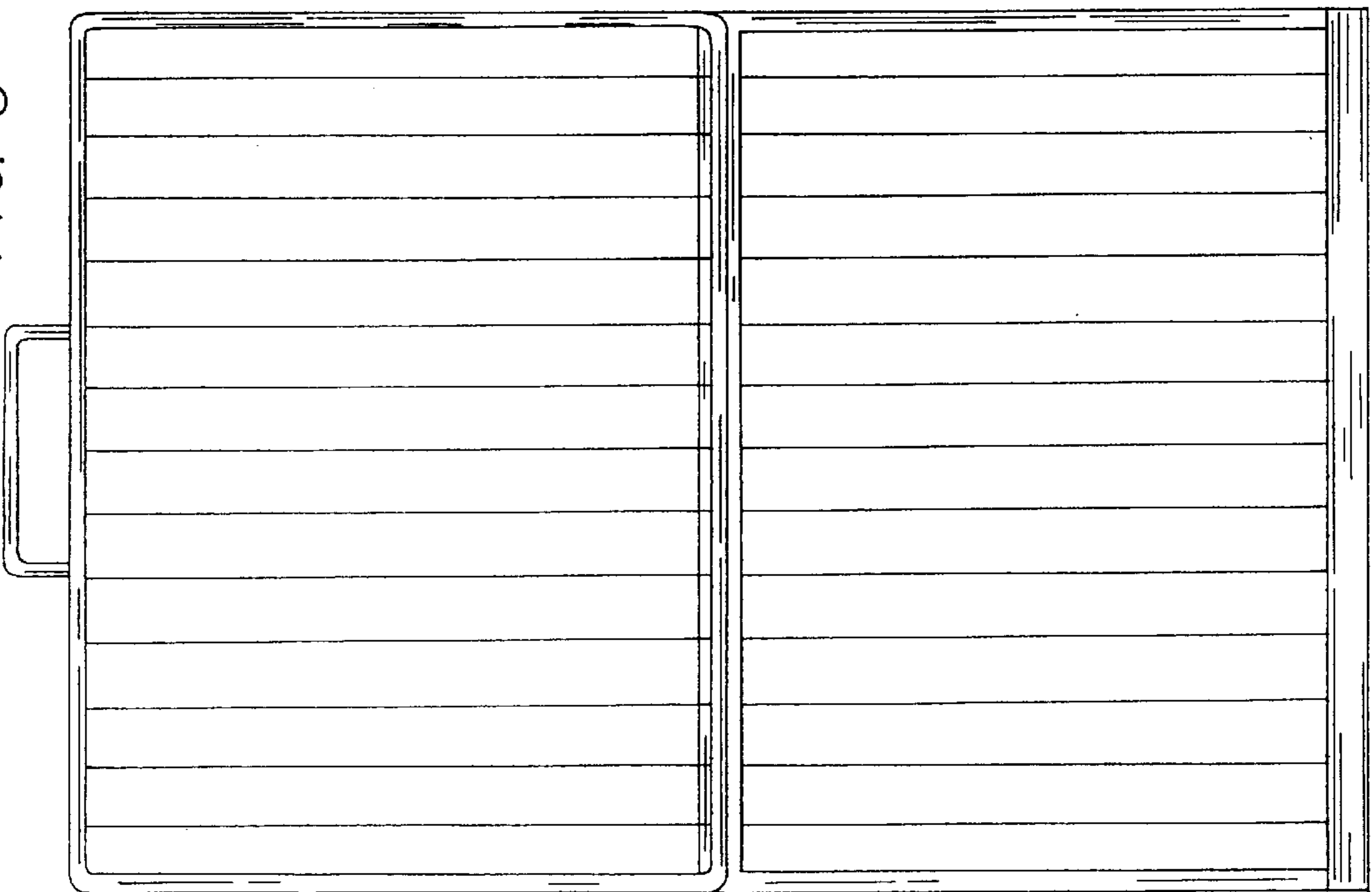


FIG. 5

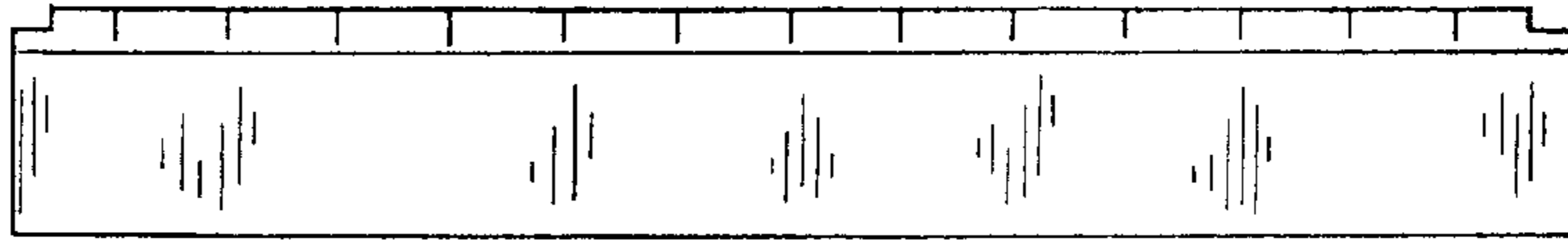


FIG. 6

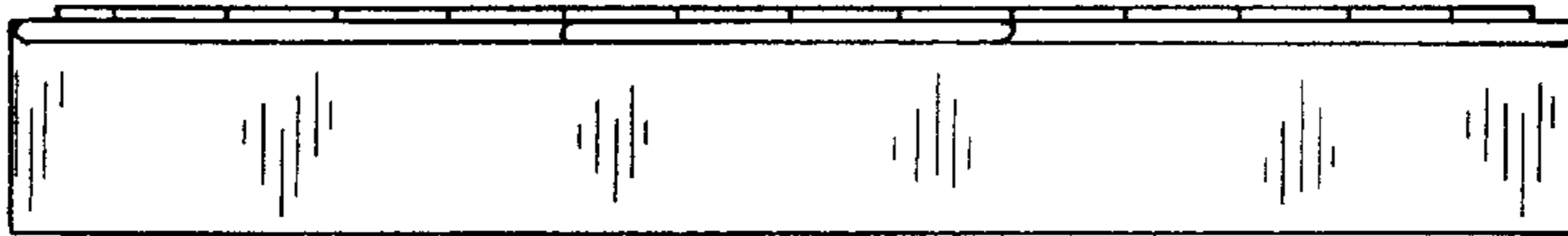


FIG. 7

