



US00D406988S

United States Patent [19]
Tisdale

[11] **Patent Number: Des. 406,988**

[45] **Date of Patent: **Mar. 23, 1999**

[54] **CANISTER JAR**

[75] Inventor: **David W. Tisdale**, Southport, Conn.

[73] Assignee: **M. Kamenstein, Inc.**, Elmsford, N.Y.

[**] Term: **14 Years**

[21] Appl. No.: **85,960**

[22] Filed: **Apr. 2, 1998**

[51] **LOC (6) Cl.** **09-02**

[52] **U.S. Cl.** **D7/612; D9/526**

[58] **Field of Search** D7/612-615, 629,
D7/590; D9/526, 551, 519; 215/370, 379,
400; 220/4.27, 23.4, 23.6, 23.83

[56] **References Cited**

U.S. PATENT DOCUMENTS

D. 86,712 4/1932 Fuerst D9/526 X

D. 88,112 10/1932 Scurlock D7/612

D. 99,012 3/1936 Garwood D9/526
D. 110,477 7/1938 Carpenter D9/526

Primary Examiner—Terry A. Wallace
Attorney, Agent, or Firm—Robert A. Koons, Jr.; James W. Bolcsak

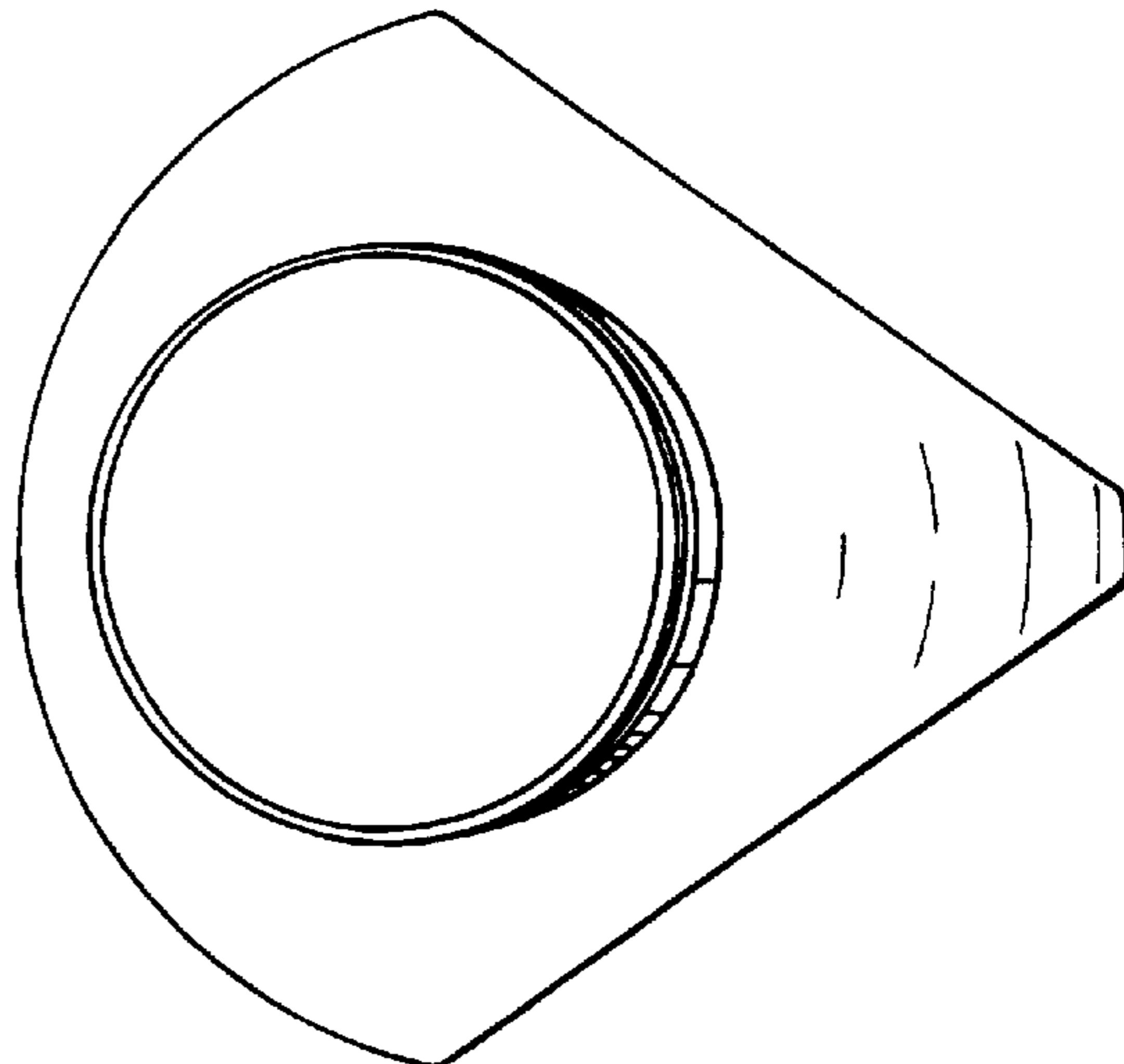
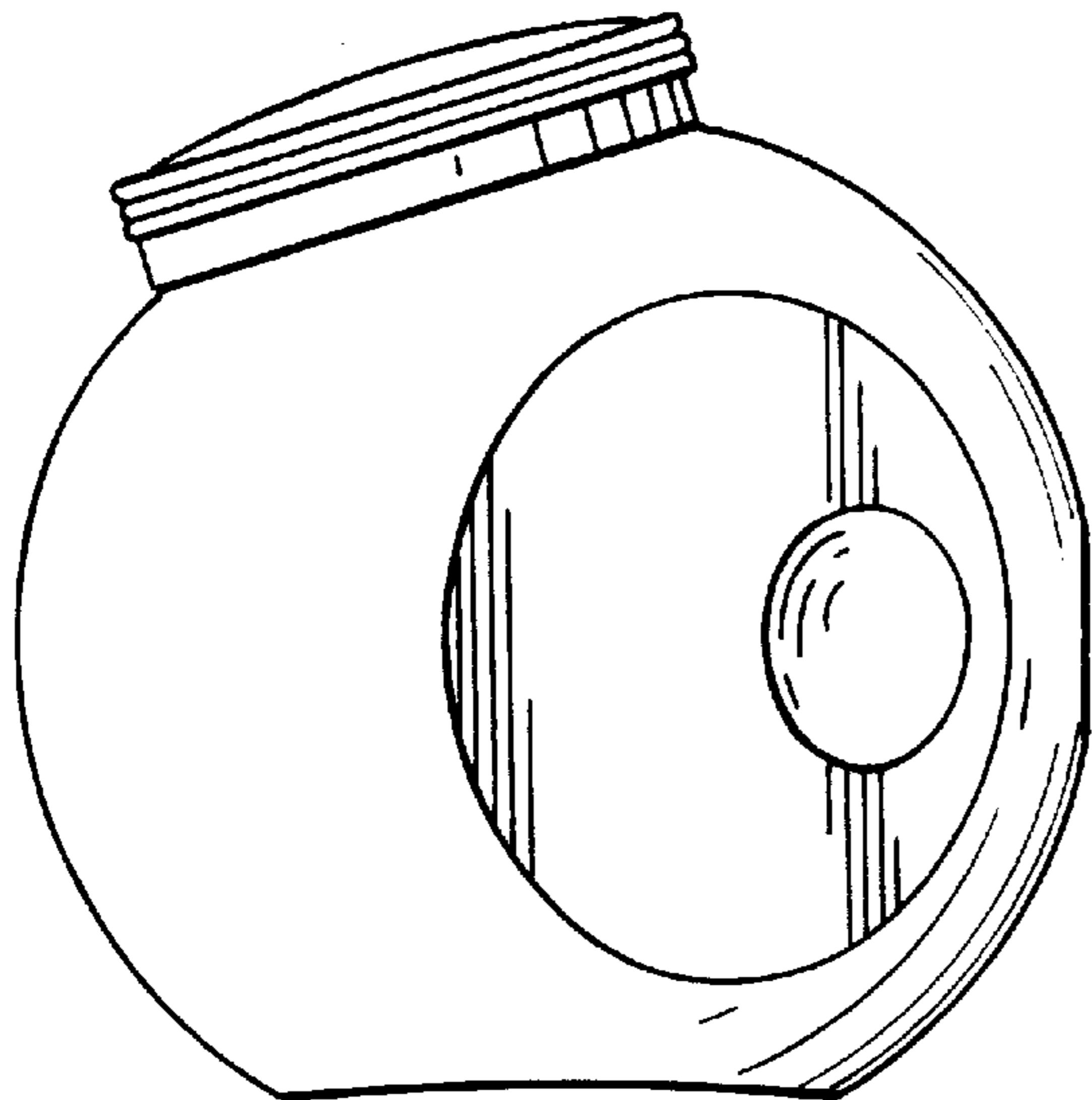
[57] **CLAIM**

The ornamental design for a canister jar, as shown and described.

DESCRIPTION

FIG. 1 is a perspective view of a canister jar showing my new design;
FIG. 2 is a right side elevational view of the canister jar, with the left side elevational view being a mirror image thereof;
FIG. 3 is a top plan view of the canister jar;
FIG. 4 is a bottom plan view of the canister jar;
FIG. 5 is a front elevational view of the canister jar; and,
FIG. 6 is a rear elevational view of the canister jar.

1 Claim, 2 Drawing Sheets



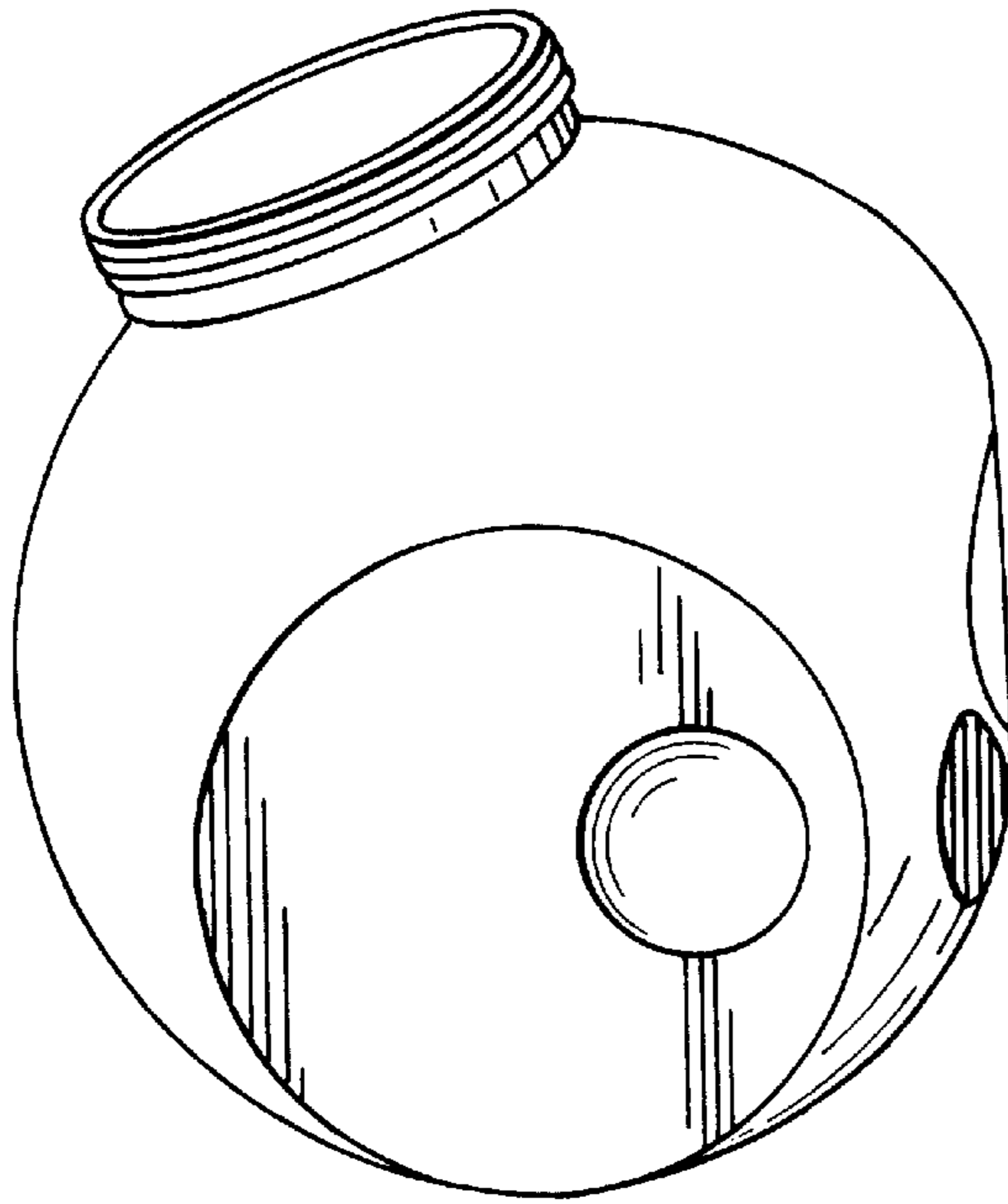


FIG. 1

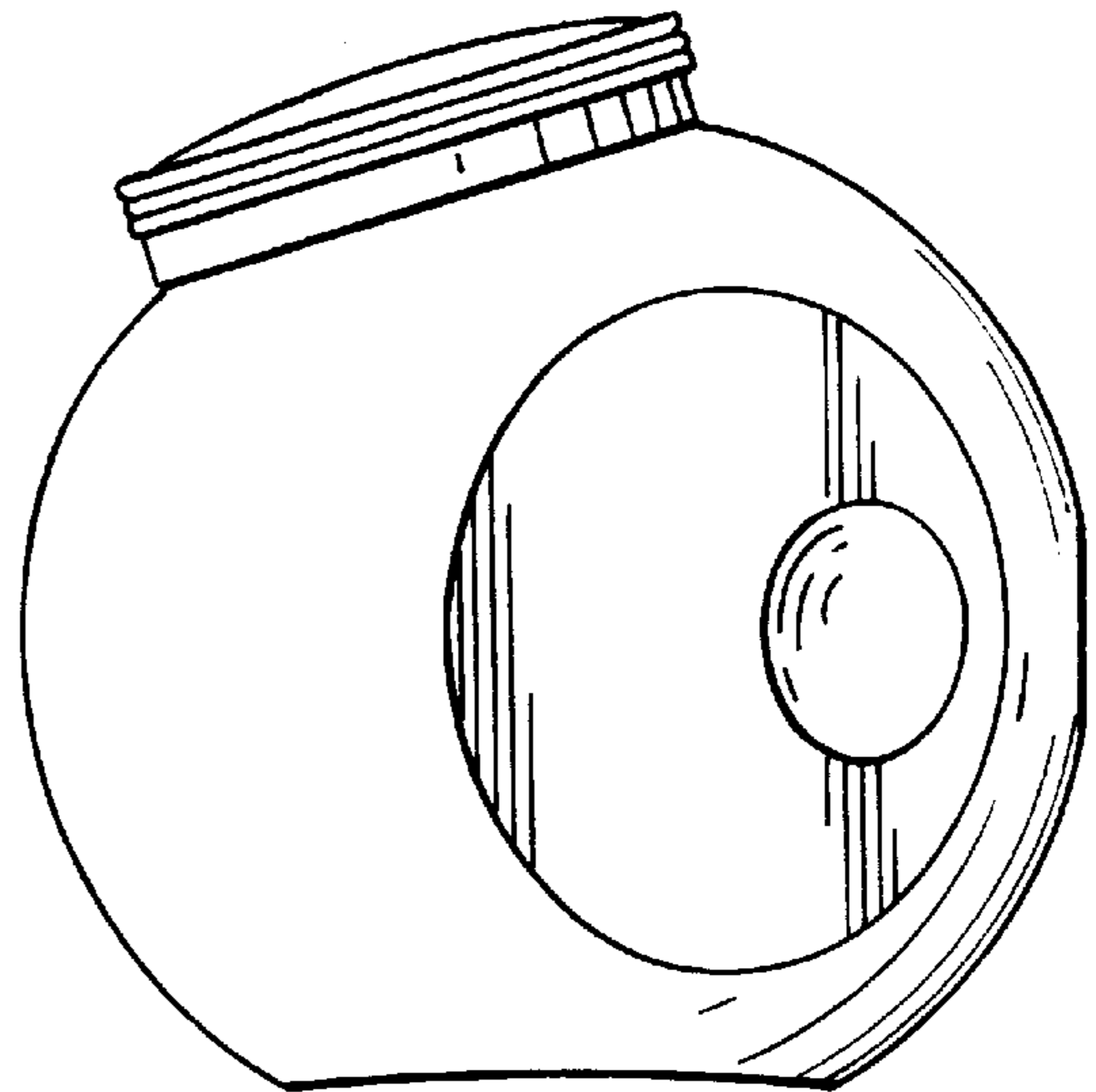


FIG. 2

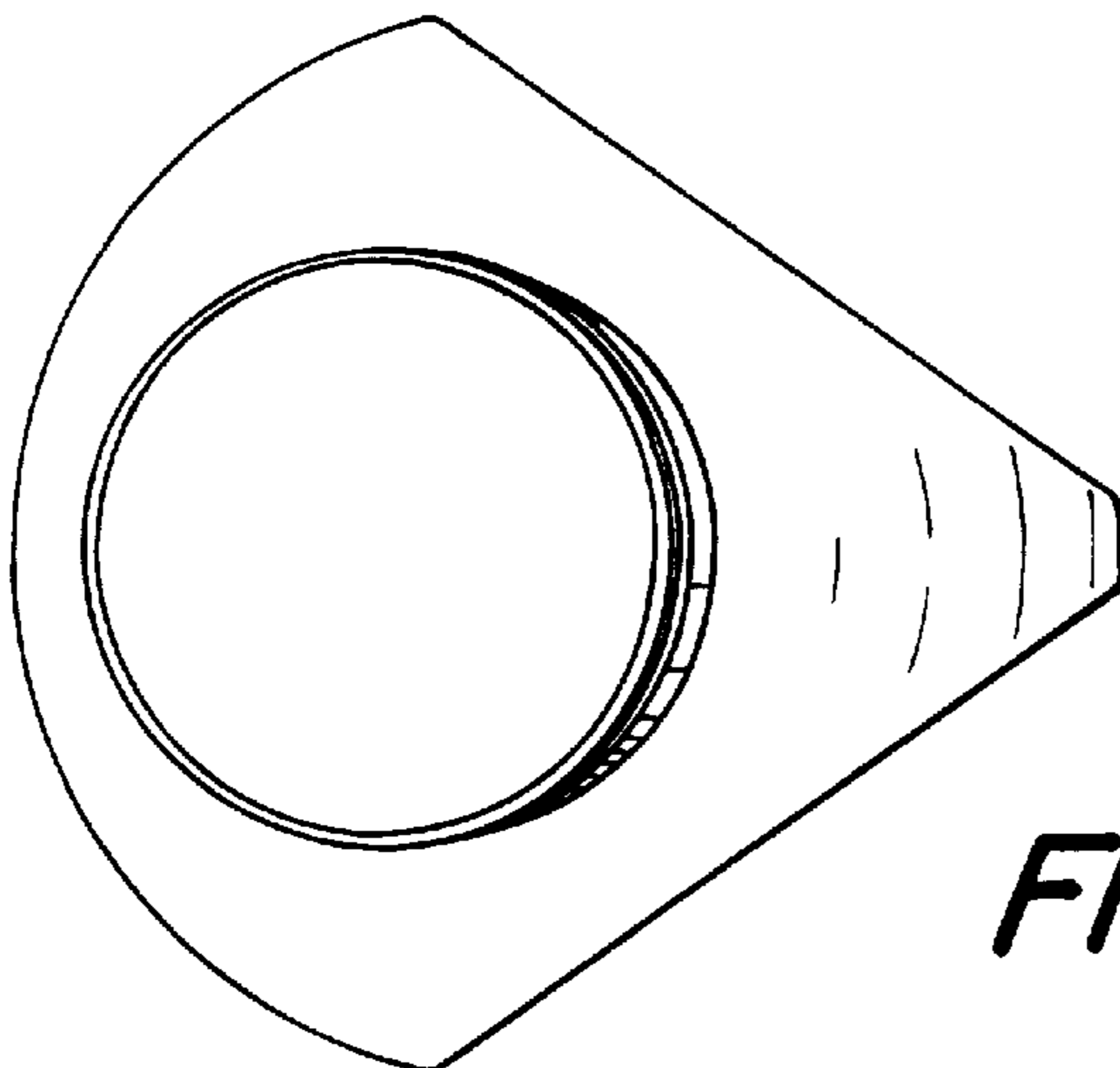


FIG. 3

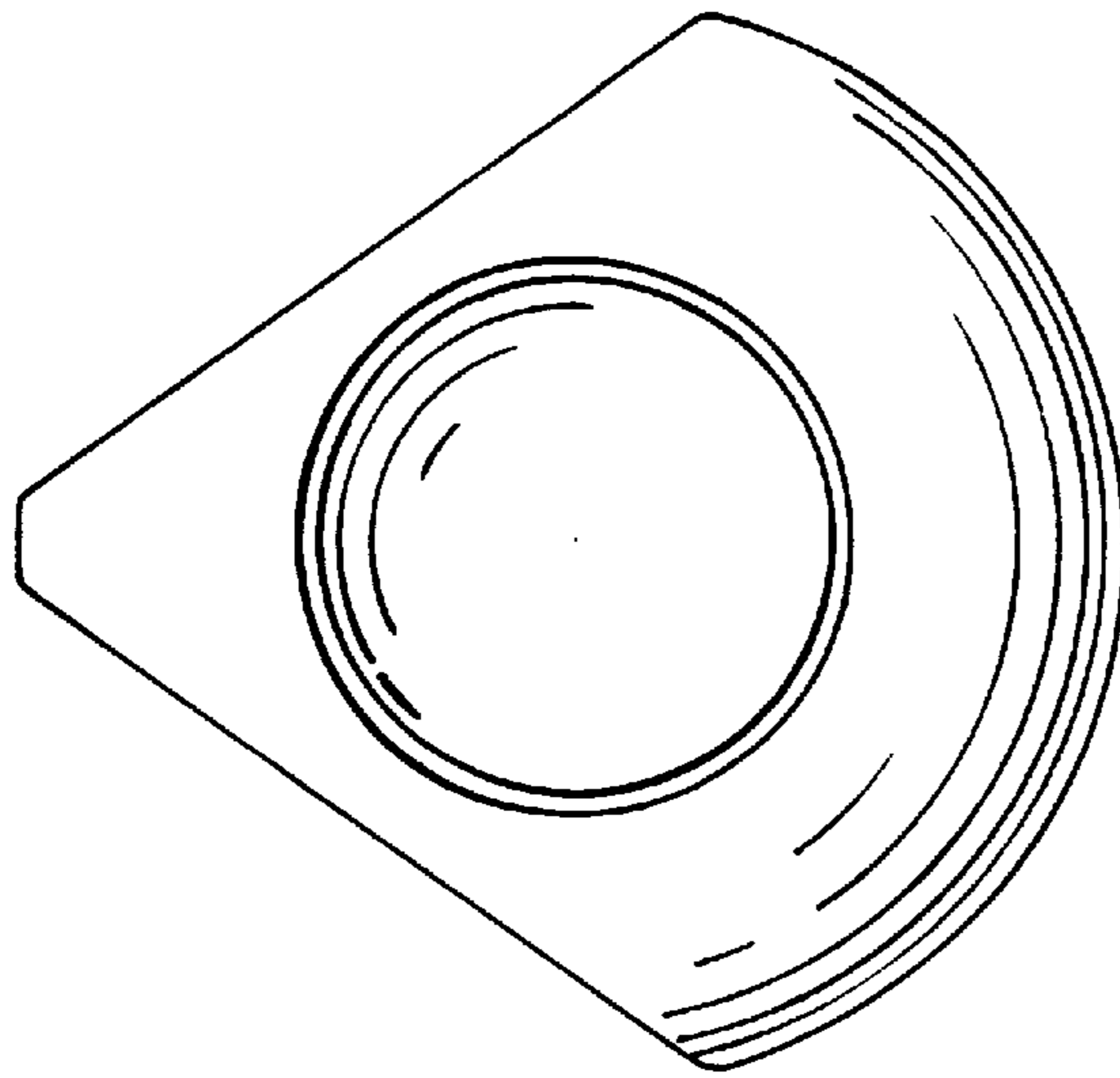


FIG. 4

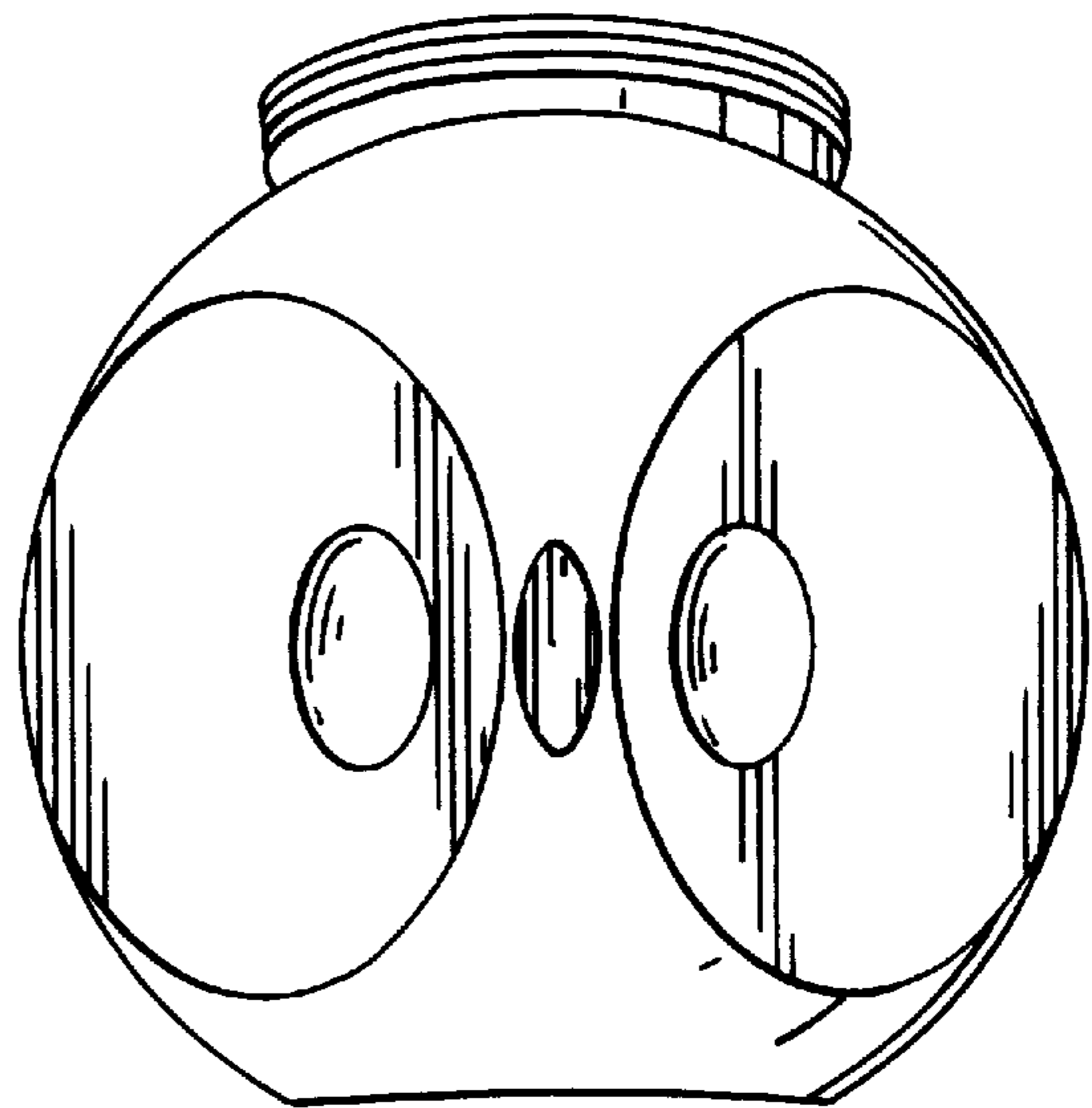


FIG. 5

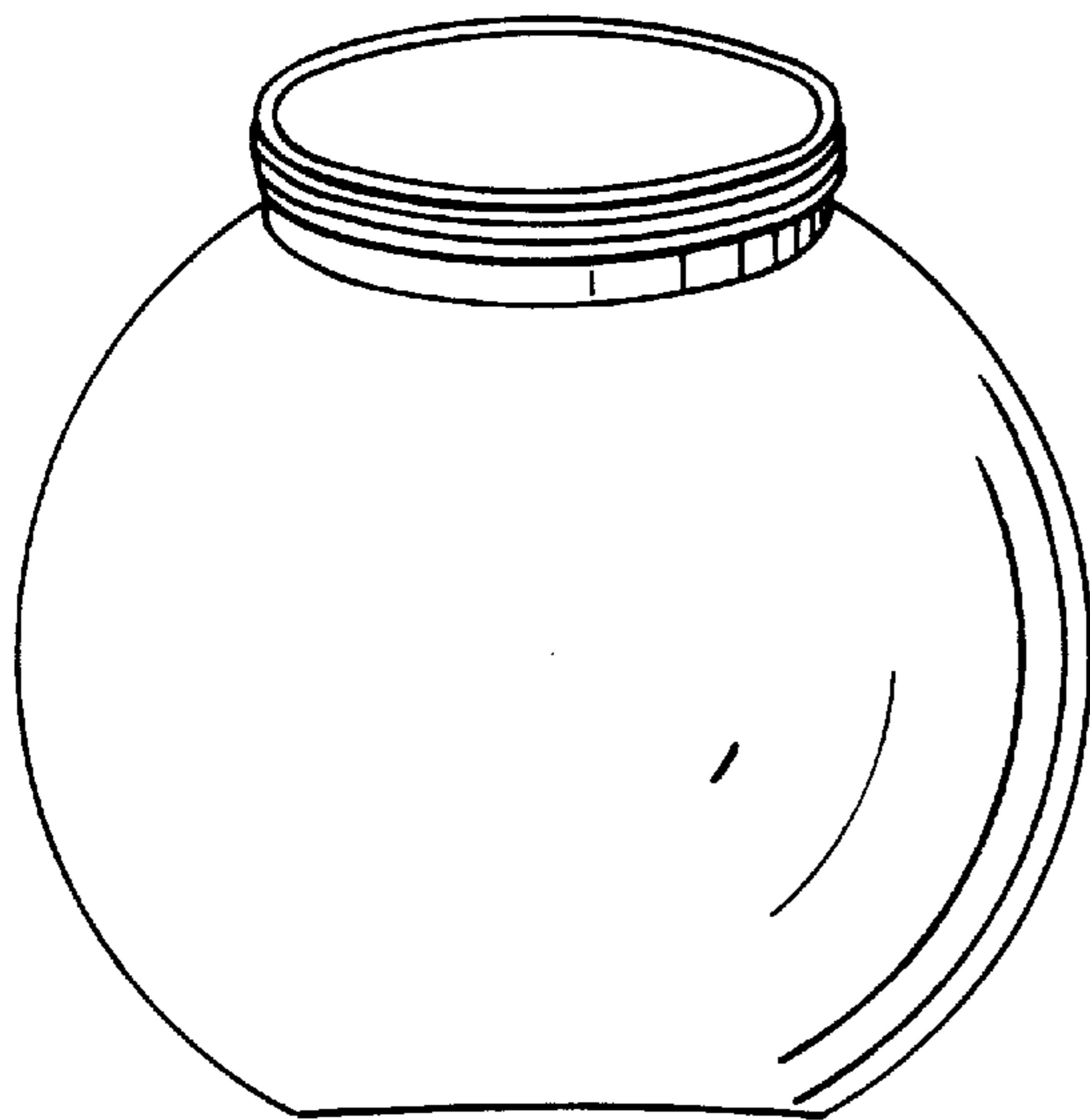


FIG. 6