



US00D406982S

United States Patent [19]
Littmann

[11] **Patent Number: Des. 406,982**

[45] **Date of Patent: **Mar. 23, 1999**

[54] **COFFEE MAKING APPLIANCE**
[75] Inventor: **Ludwig Littmann**, Kronberg, Germany
[73] Assignee: **Braun Aktiengesellschaft**, Germany
[**] Term: **14 Years**

D. 381,550 7/1997 Lin D7/309
D. 386,039 11/1997 Dingelstad D7/309
D. 387,946 12/1997 Hippen D7/309
D. 390,409 2/1998 Littmann D7/309
D. 391,439 3/1998 Mork et al. D7/309

[21] Appl. No.: **86,282**
[22] Filed: **Apr. 9, 1998**
[30] **Foreign Application Priority Data**

Oct. 16, 1997 [DE] Germany M 97 09 523.0

[51] **LOC (6) Cl.** **07-01**
[52] **U.S. Cl.** **D7/309; D7/311**
[58] **Field of Search** D7/309, 310, 311,
D7/312; 99/306, 395, 286, 304, 279

Primary Examiner—M. N. Pandozzi
Attorney, Agent, or Firm—Fish & Richardson P.C.

[57] **CLAIM**

The ornamental design for a coffee making appliance, as shown and described.

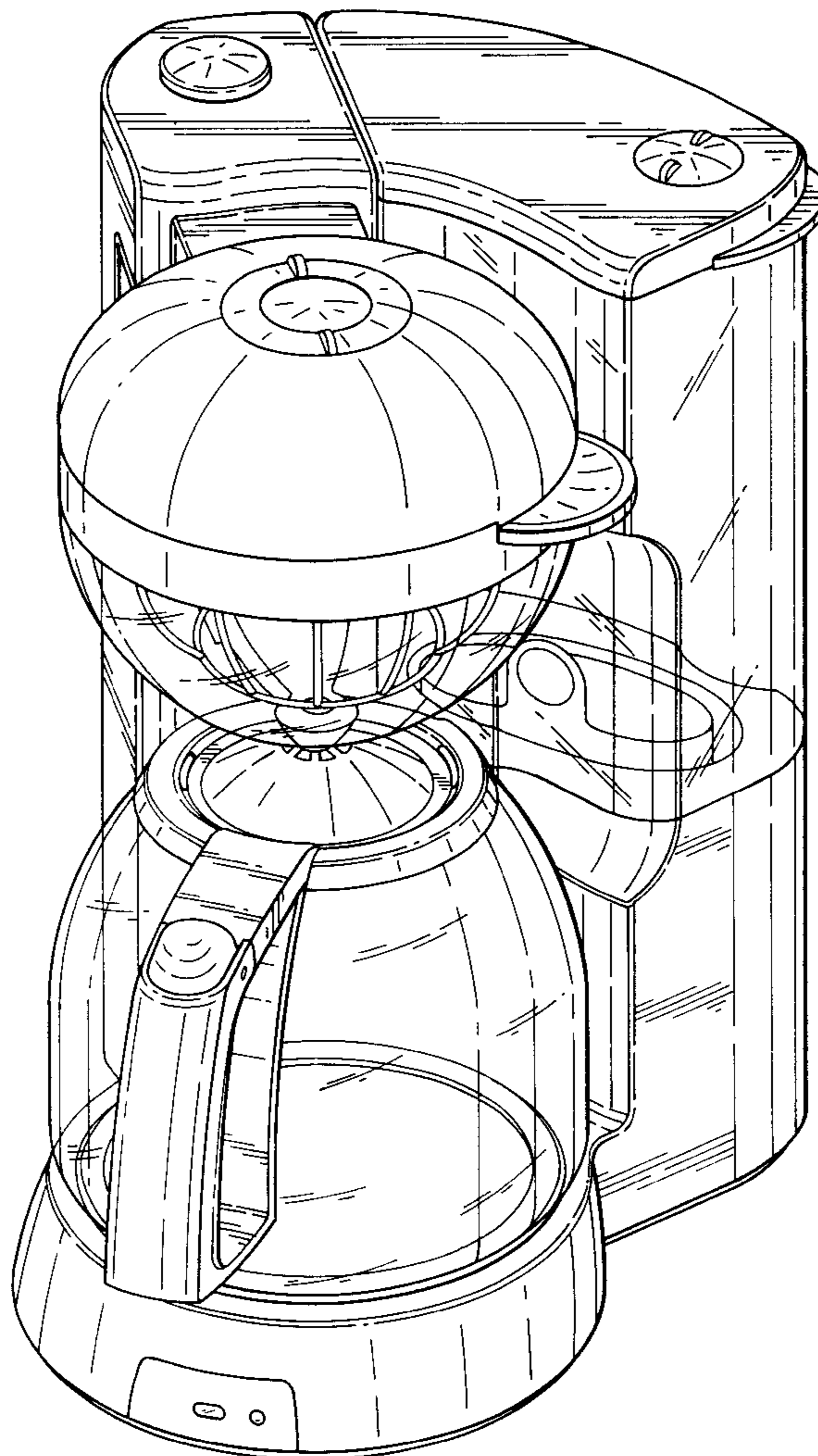
DESCRIPTION

FIG. 1 is a top front perspective view of a coffee making appliance showing my new design;
FIG. 2 is a front view thereof;
FIG. 3 is a right side view thereof;
FIG. 4 is a left side view thereof;
FIG. 5 is a rear view thereof;
FIG. 6 is a top plan view thereof; and,
FIG. 7 is a bottom plan view thereof.

[56] **References Cited**
U.S. PATENT DOCUMENTS

D. 353,296 12/1994 Assmann D7/309
D. 376,950 12/1996 Saltet D7/309

1 Claim, 6 Drawing Sheets



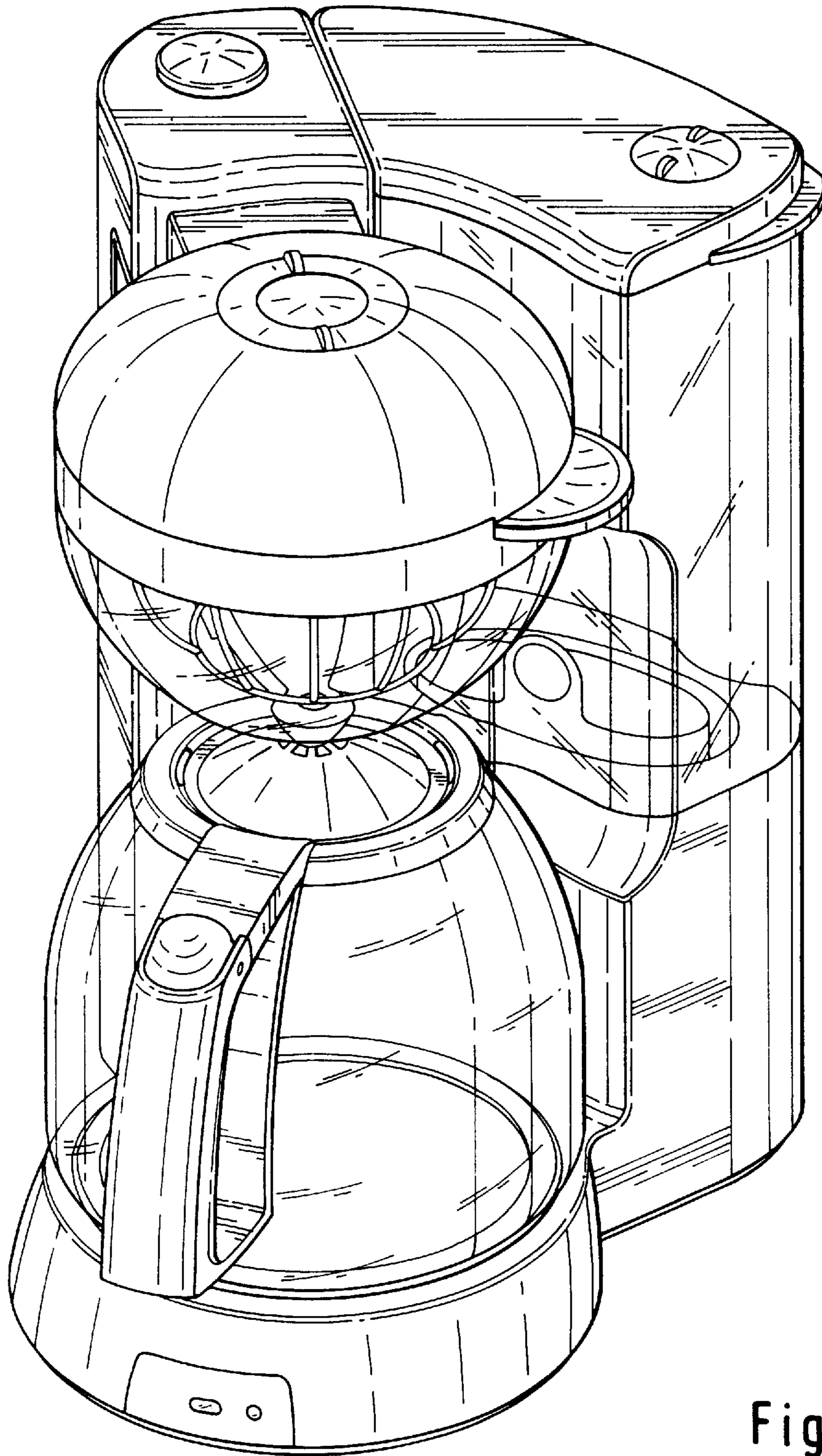


Fig. 1

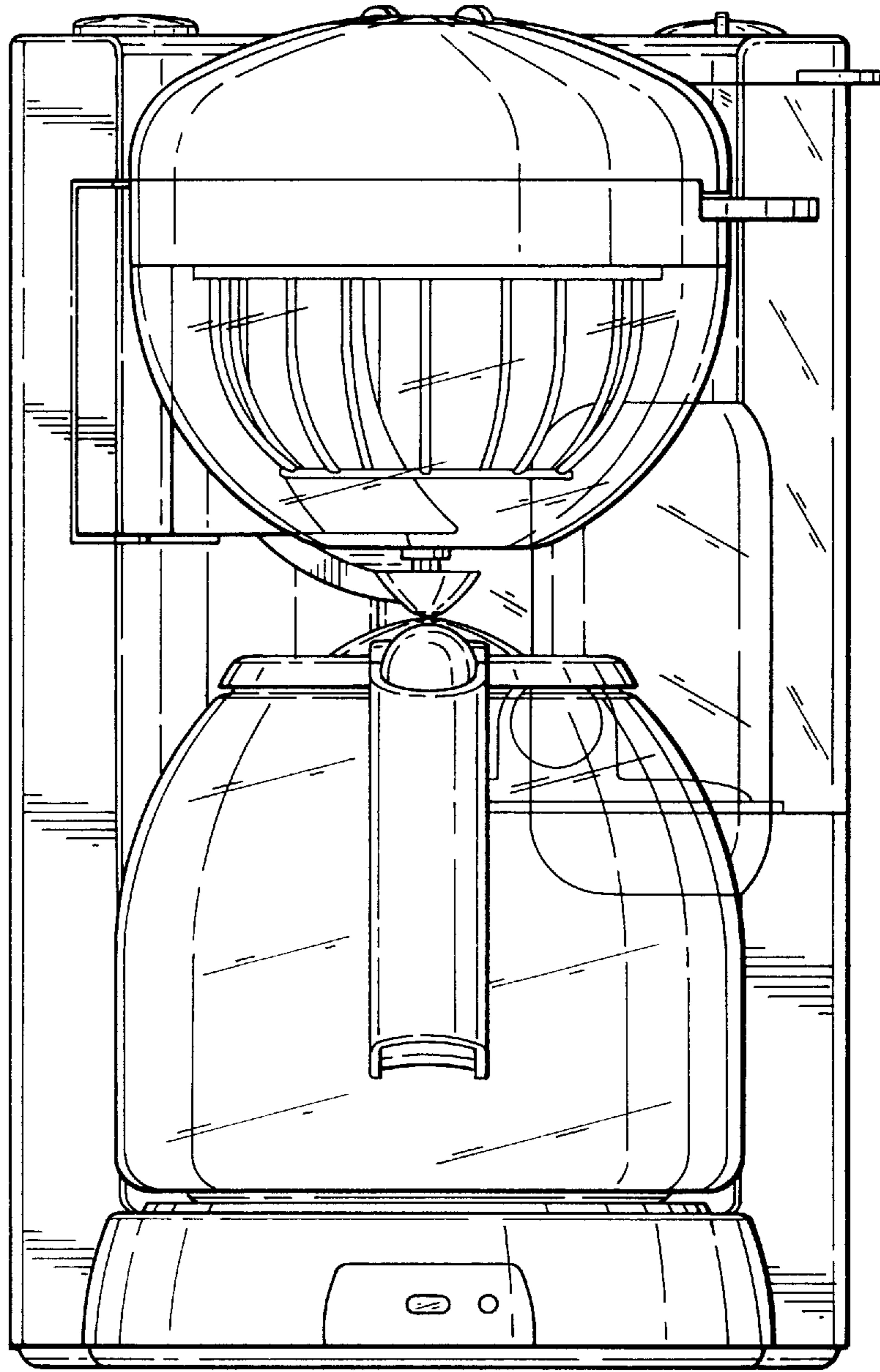


Fig. 2

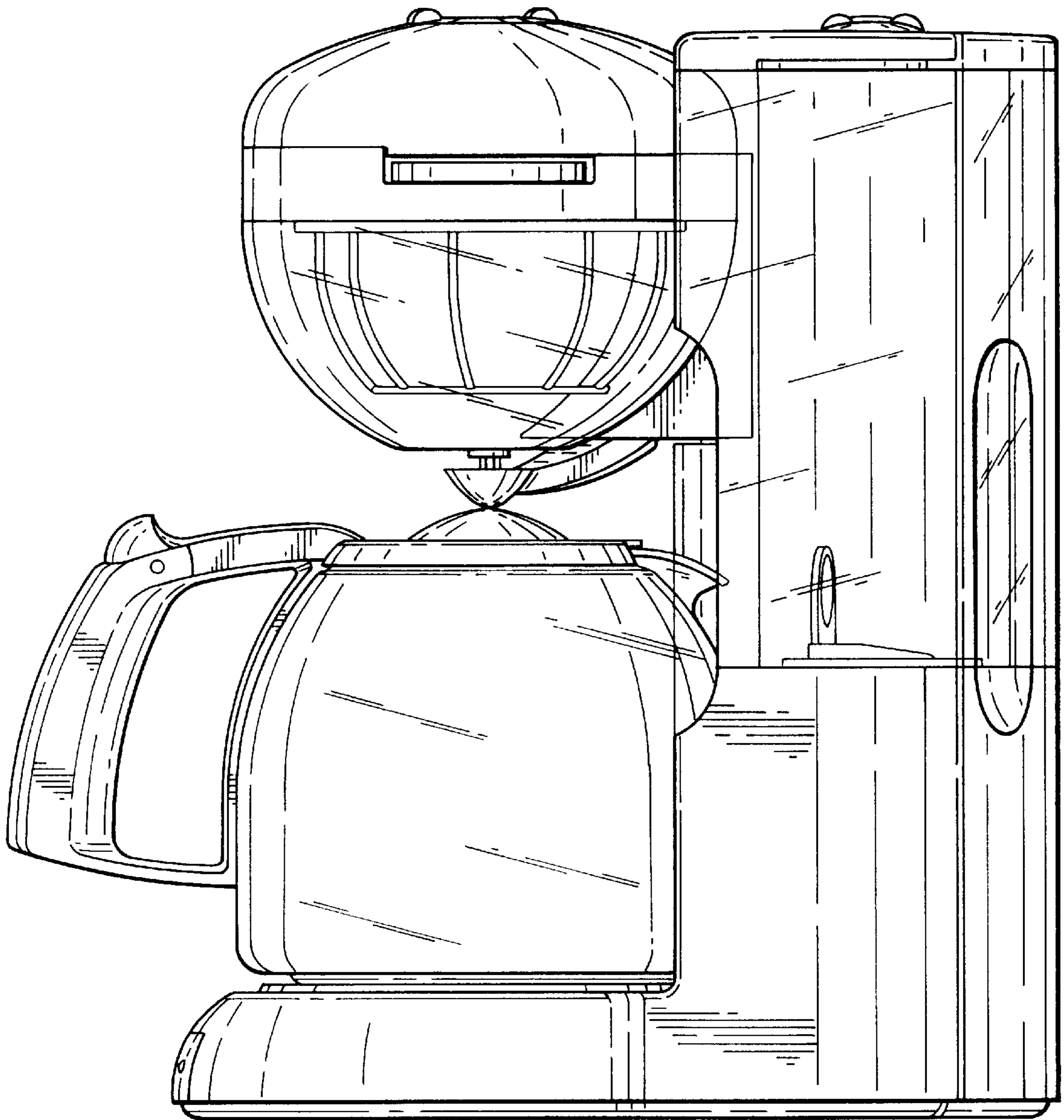


Fig. 3

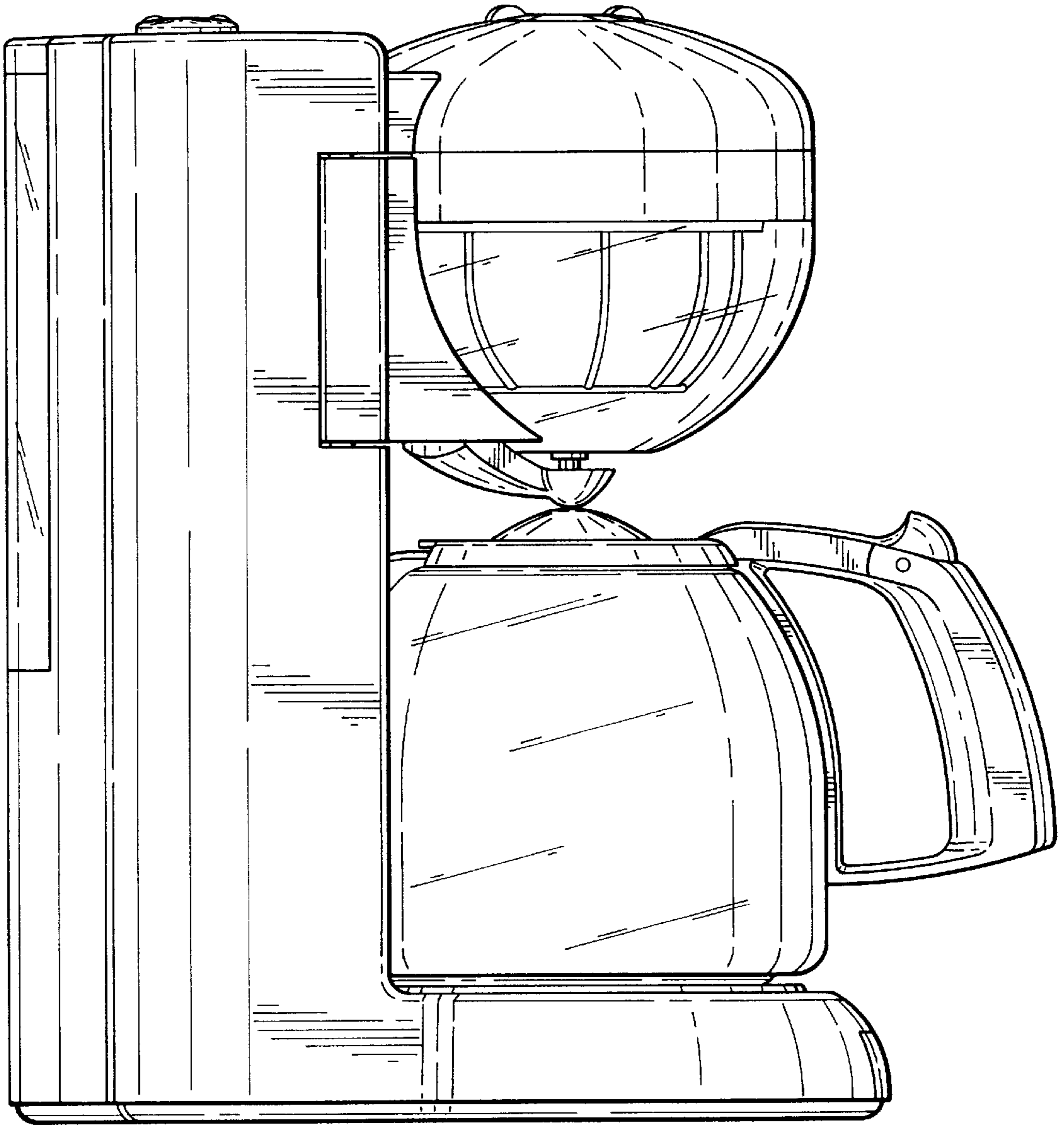


Fig. 4

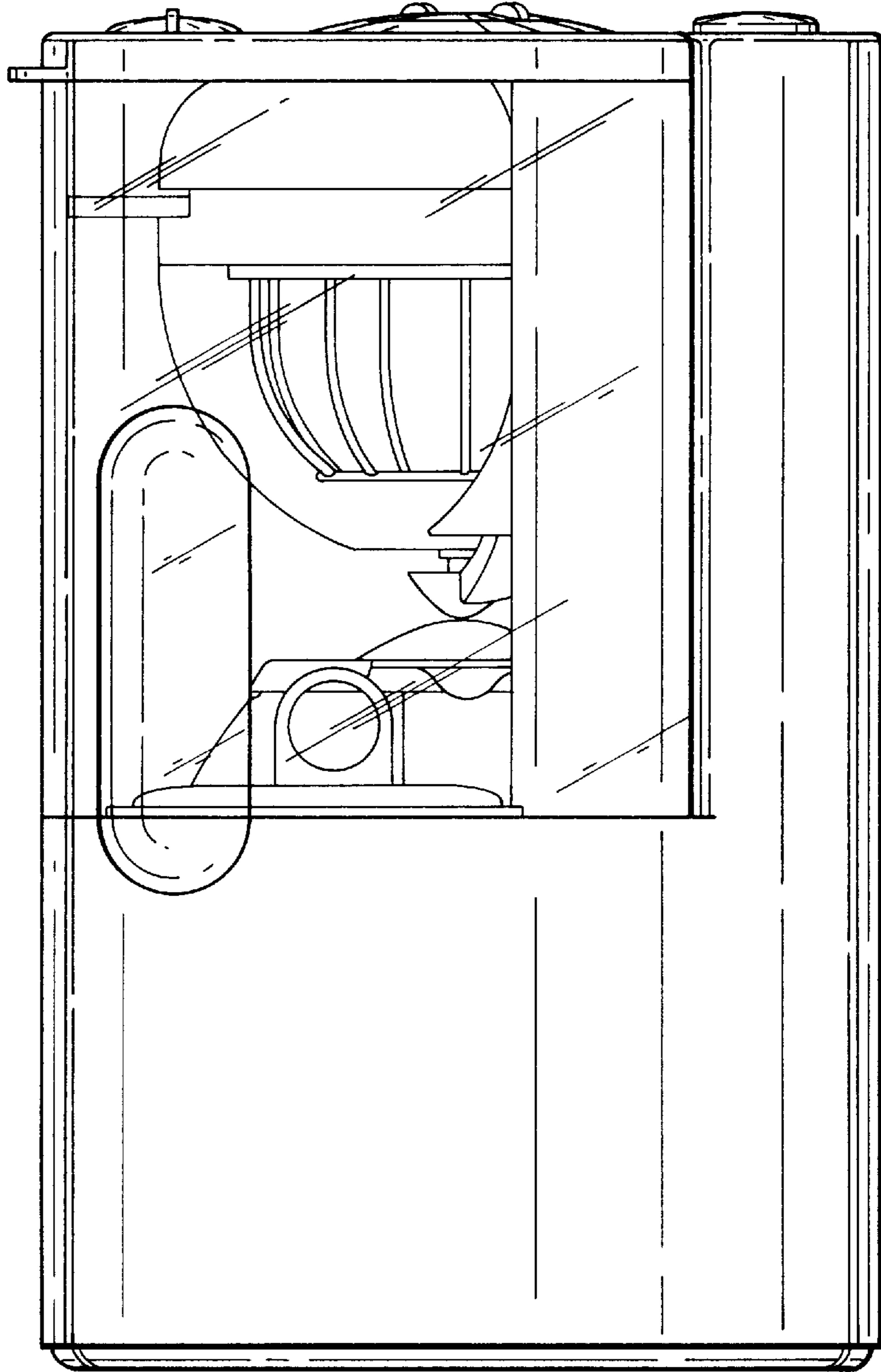


Fig. 5

Fig. 6

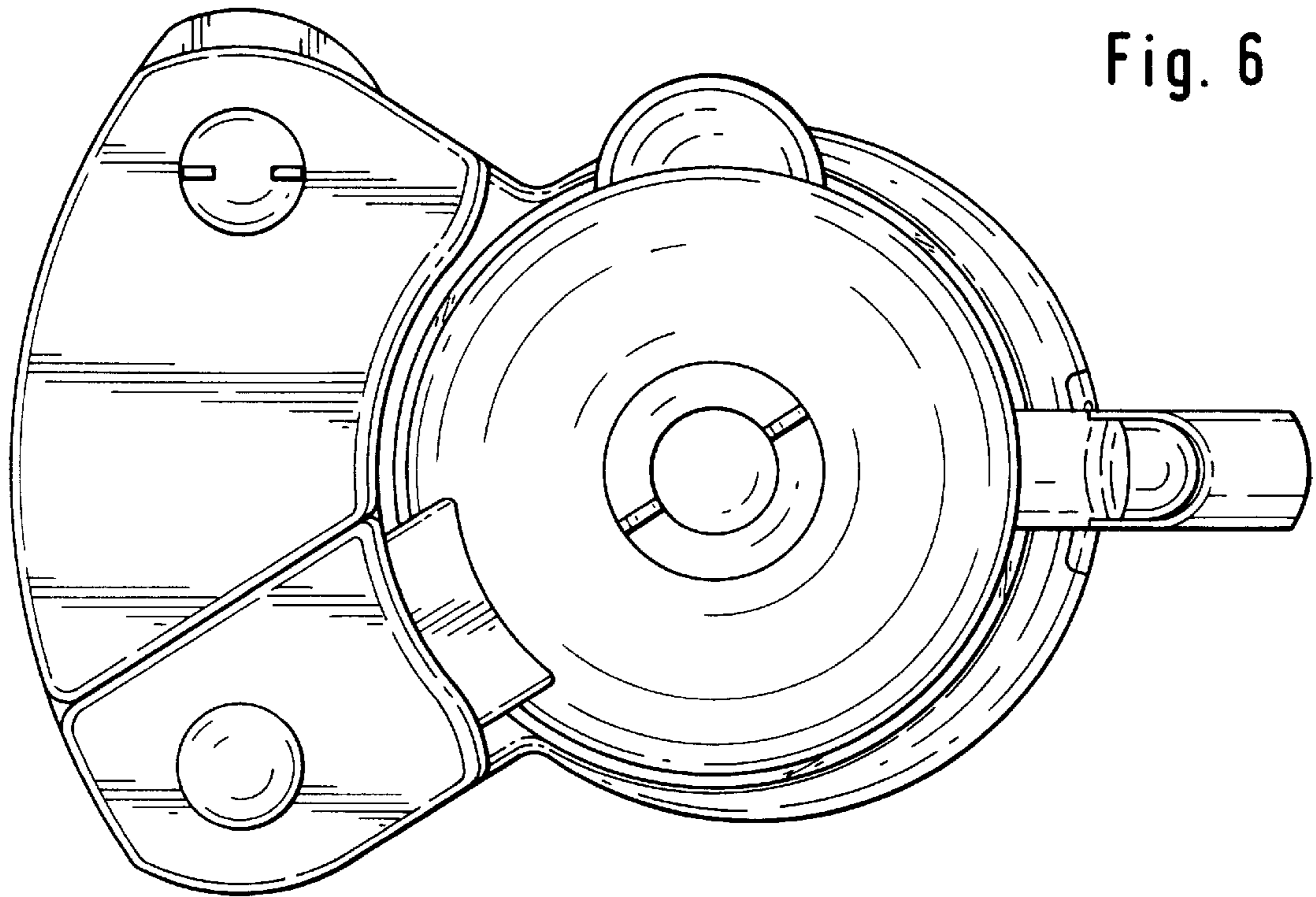


Fig. 7

