



US00D406979S

**United States Patent** [19]  
**Goodman**

[11] **Patent Number: Des. 406,979**

[45] **Date of Patent: \*\*Mar. 23, 1999**

[54] **PLATE RACK**

4,488,649 12/1984 Mark ..... 211/181.1 X

[76] Inventor: **Sheldon H. Goodman**, 30905 Stratford,  
Solon, Ohio 44139

*Primary Examiner*—Brian N. Vinson  
*Attorney, Agent, or Firm*—Pearne, Gordon, McCoy &  
Granger LLP

[\*\*] Term: **14 Years**

[21] Appl. No.: **82,723**

[57] **CLAIM**

The ornamental design for a plate rack, as shown and described.

[22] Filed: **Jan. 28, 1998**

[51] **LOC (6) Cl.** ..... **08-08**

**DESCRIPTION**

[52] **U.S. Cl.** ..... **D6/566**

[58] **Field of Search** ..... D6/566, 567, 569,  
D6/570, 512; 211/13.1, 41.1, 41.7, 86.01,  
87.01, 181.1

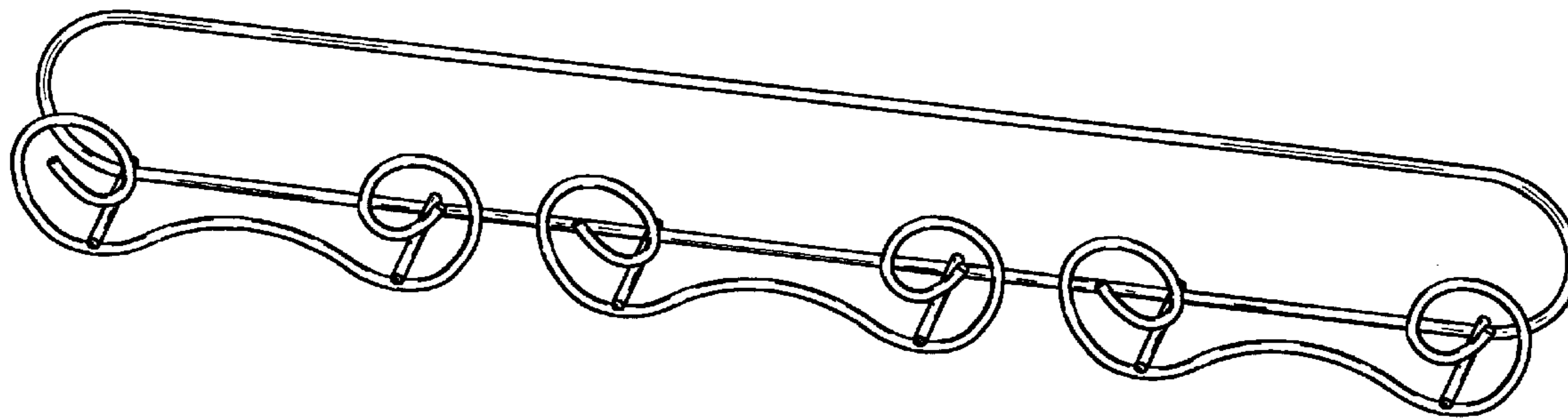
FIG. 1 is a top, front and side perspective view of a plate rack showing my new design;  
FIG. 2 is a front elevational view thereof;  
FIG. 3 is a rear elevational view thereof;  
FIG. 4 is a right side elevational view thereof, the left side elevational view being a mirror image;  
FIG. 5 is a top plan view thereof; and,  
FIG. 6 is a bottom plan view thereof.

[56] **References Cited**

**U.S. PATENT DOCUMENTS**

- D. 131,343 2/1942 Daum ..... D6/566
- D. 339,945 10/1993 Moser ..... D6/570
- D. 388,645 1/1998 Whang ..... D6/566 X

**1 Claim, 1 Drawing Sheet**



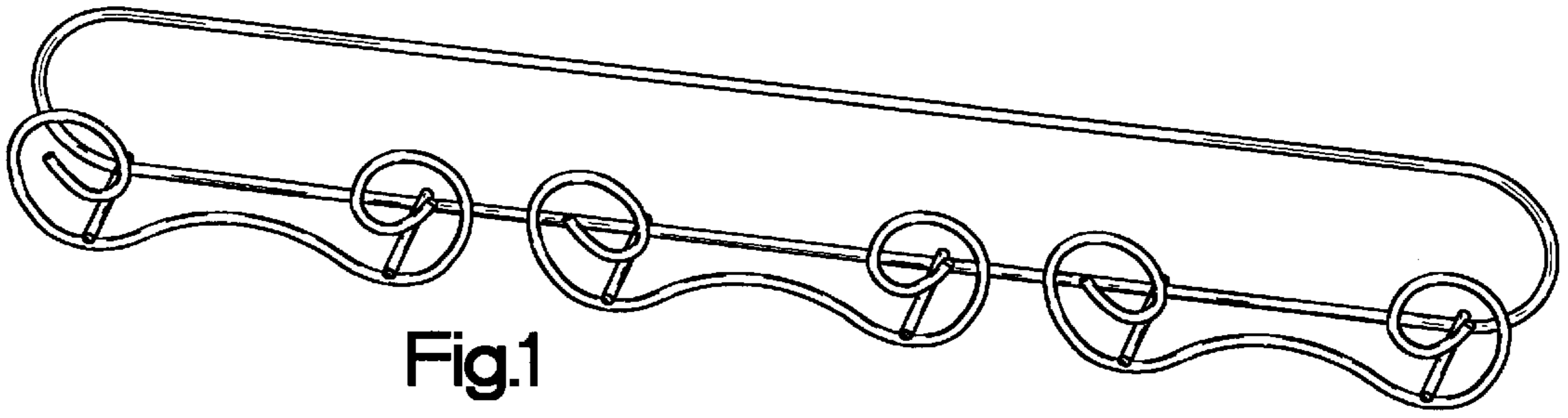


Fig.1

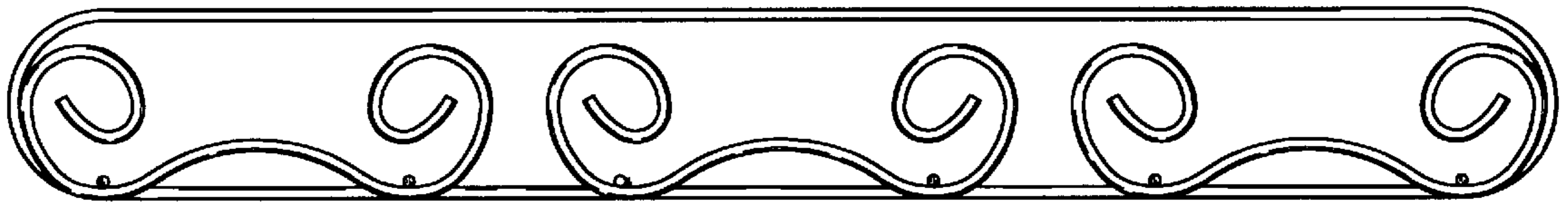


Fig.2

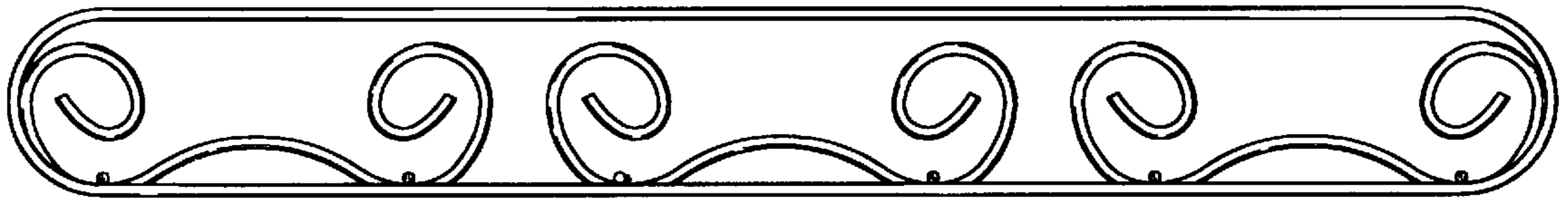


Fig.3

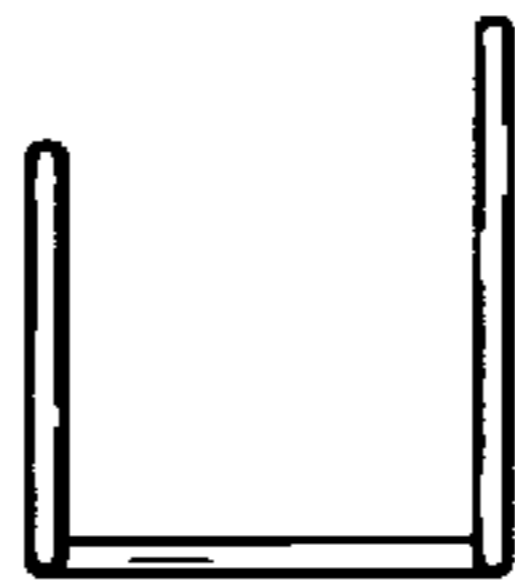


Fig.4

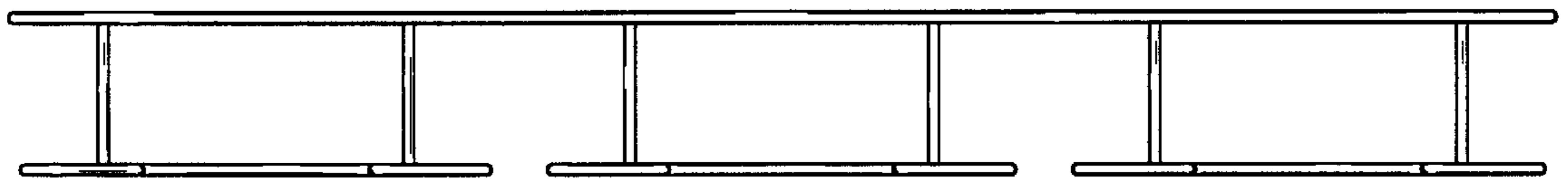


Fig.5

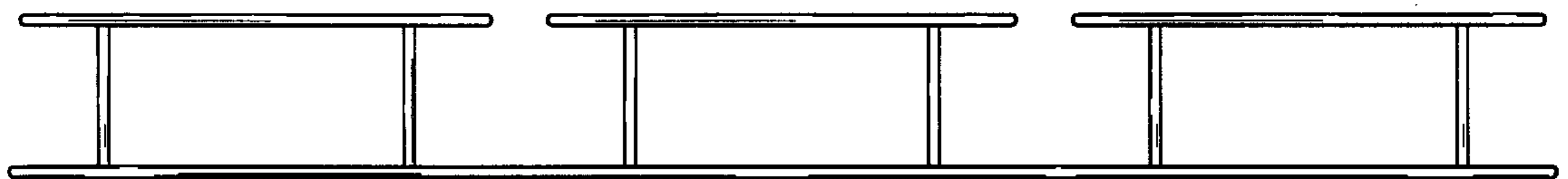


Fig.6