



US00D406975S

United States Patent [19]

Tobias

[11] Patent Number: Des. 406,975

[45] Date of Patent: **Mar. 23, 1999

[54] TWO ROLL TOILET PAPER HOLDER

[76] Inventor: Stewart W. Tobias, 515 Leffingwell #212, Ellenton, Fla. 34222

[**] Term: 14 Years

[21] Appl. No.: 80,328

[22] Filed: Dec. 4, 1997

[51] LOC (6) Cl. 07-07

[52] U.S. Cl. D6/520; D6/523

[58] Field of Search D6/518-523; 312/34.1, 312/34.8, 34.22, 34.23, 34.24; 206/389, 824

[56] References Cited

U.S. PATENT DOCUMENTS

D. 292,546	11/1987	Tegner	D6/523
D. 394,573	5/1998	Tobias	D6/520
1,614,112	1/1927	Fisher	D6/523 X
3,049,310	8/1962	Wolfe	312/324.23 X
4,089,481	5/1978	Ciucci	D6/523 X
4,114,824	9/1978	Danielak	D6/523 X

Primary Examiner—Brian N. Vinson
Attorney, Agent, or Firm—Charles J. Prescott

[57] CLAIM

The ornamental design for a double roll toilet paper holder, as shown and described.

DESCRIPTION

FIG. 1 is a front perspective exploded view of a double roll toilet paper holder showing one embodiment of my new design;

FIG. 2 is a rear perspective exploded view thereof;

FIG. 3 is an end assembled view thereof with the opposite end being a mirror image;

FIG. 4 is a front elevation assembled view thereof;

FIG. 5 is a side elevation assembled view thereof with the opposite side being a mirror image;

FIG. 6 is a rear elevation assembled view thereof;

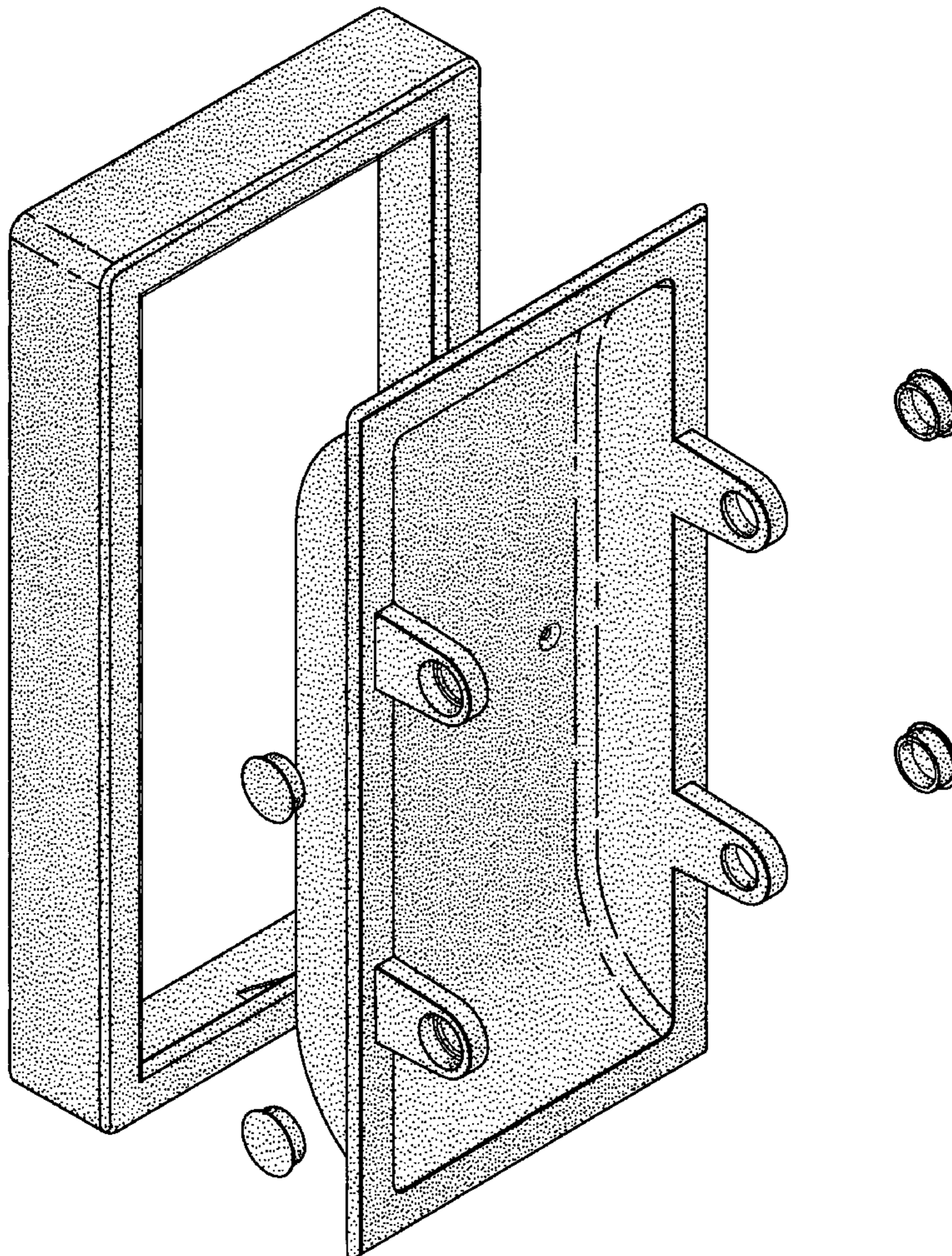
FIG. 7 is a section view in the direction of arrows 7—7 in FIG. 4.

FIG. 8 is a section view in the direction of arrows 8—8 in FIG. 4.

FIG. 9 is a front perspective view of a single piece double roll toilet paper holder showing another embodiment of my new design; and,

FIG. 10 is a rear perspective view of FIG. 9, the end, side elevation, and front and rear elevation views being identical to the corresponding views of the embodiment in FIG. 1.

1 Claim, 5 Drawing Sheets



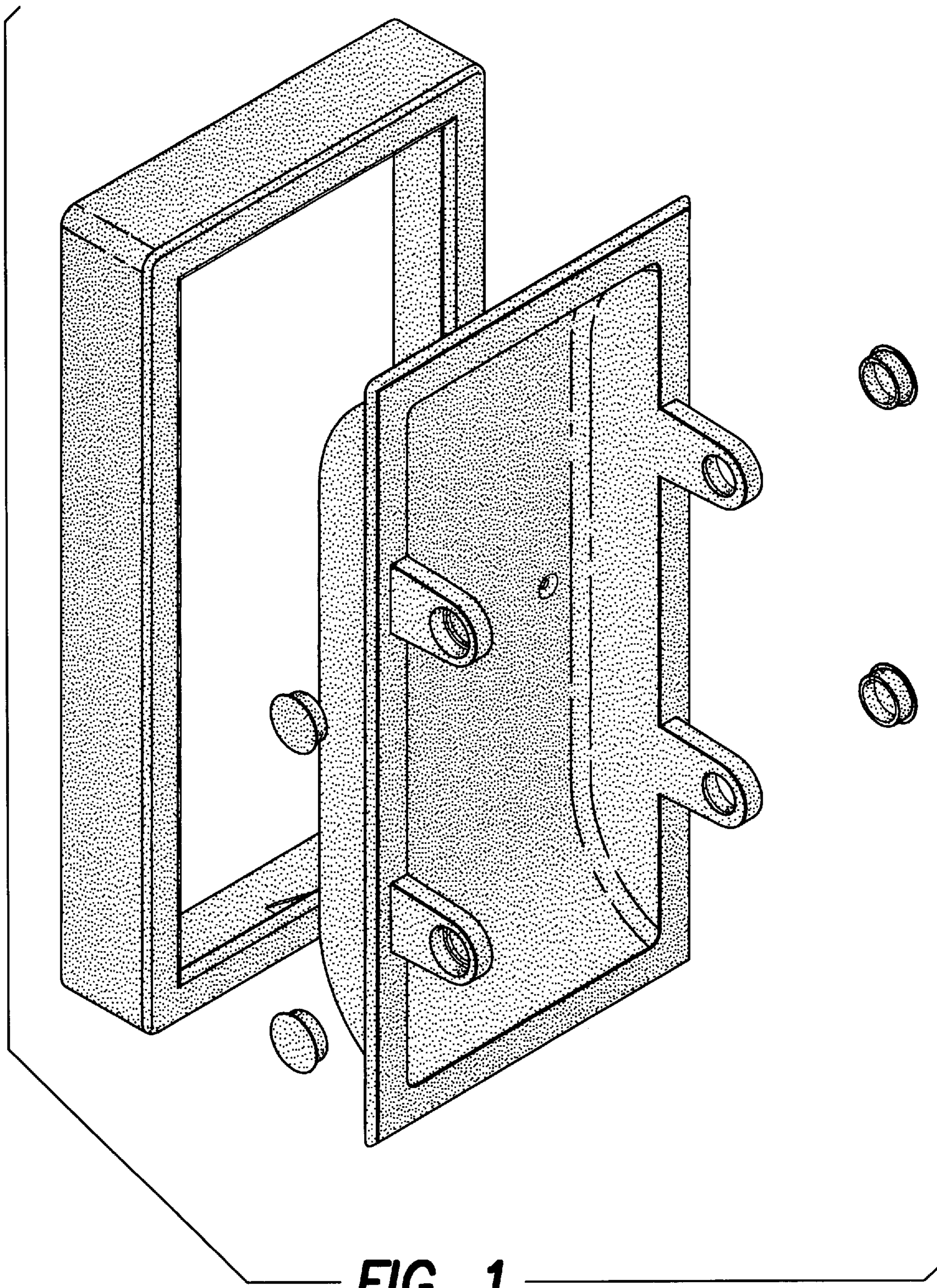


FIG. 1

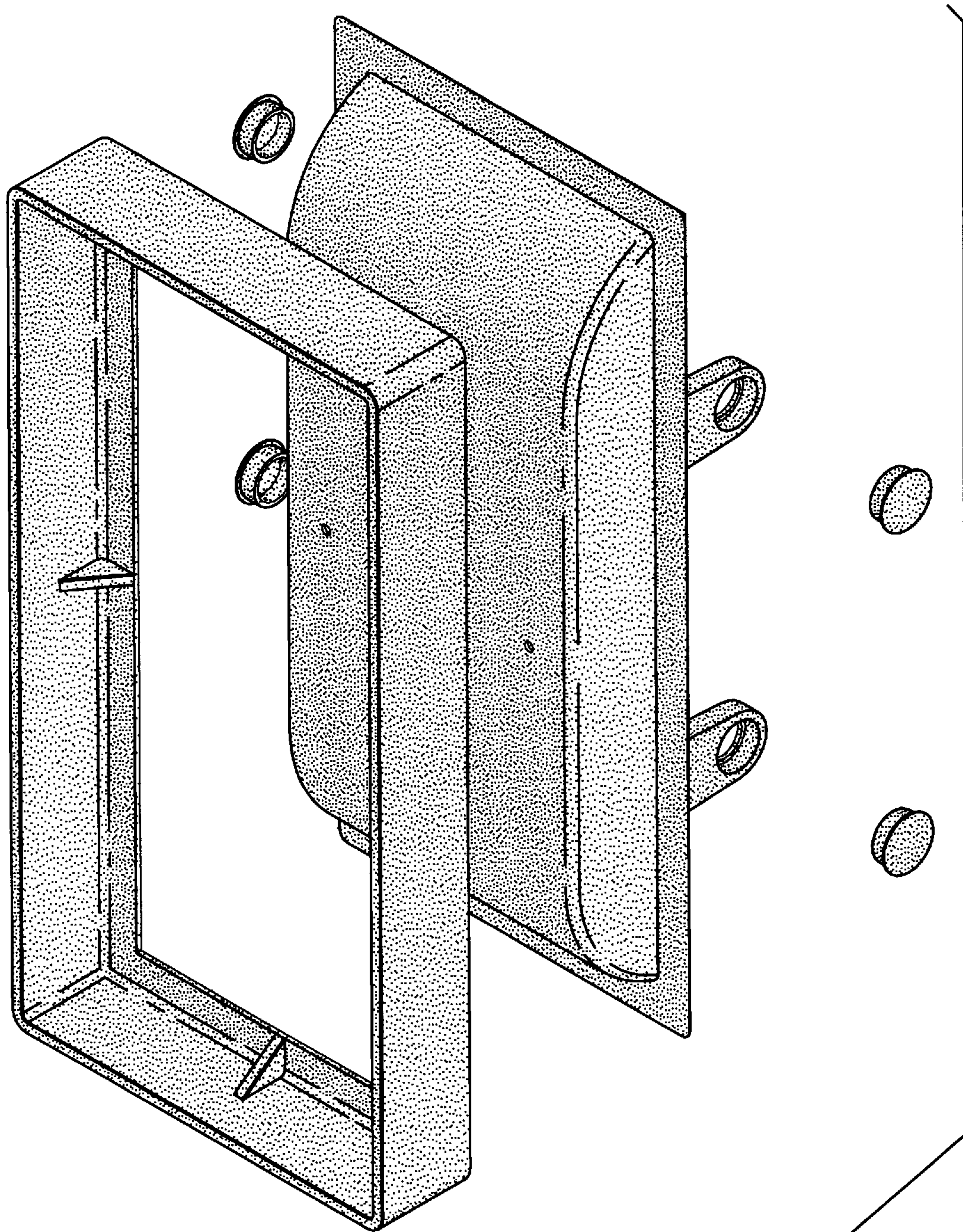


FIG. 2

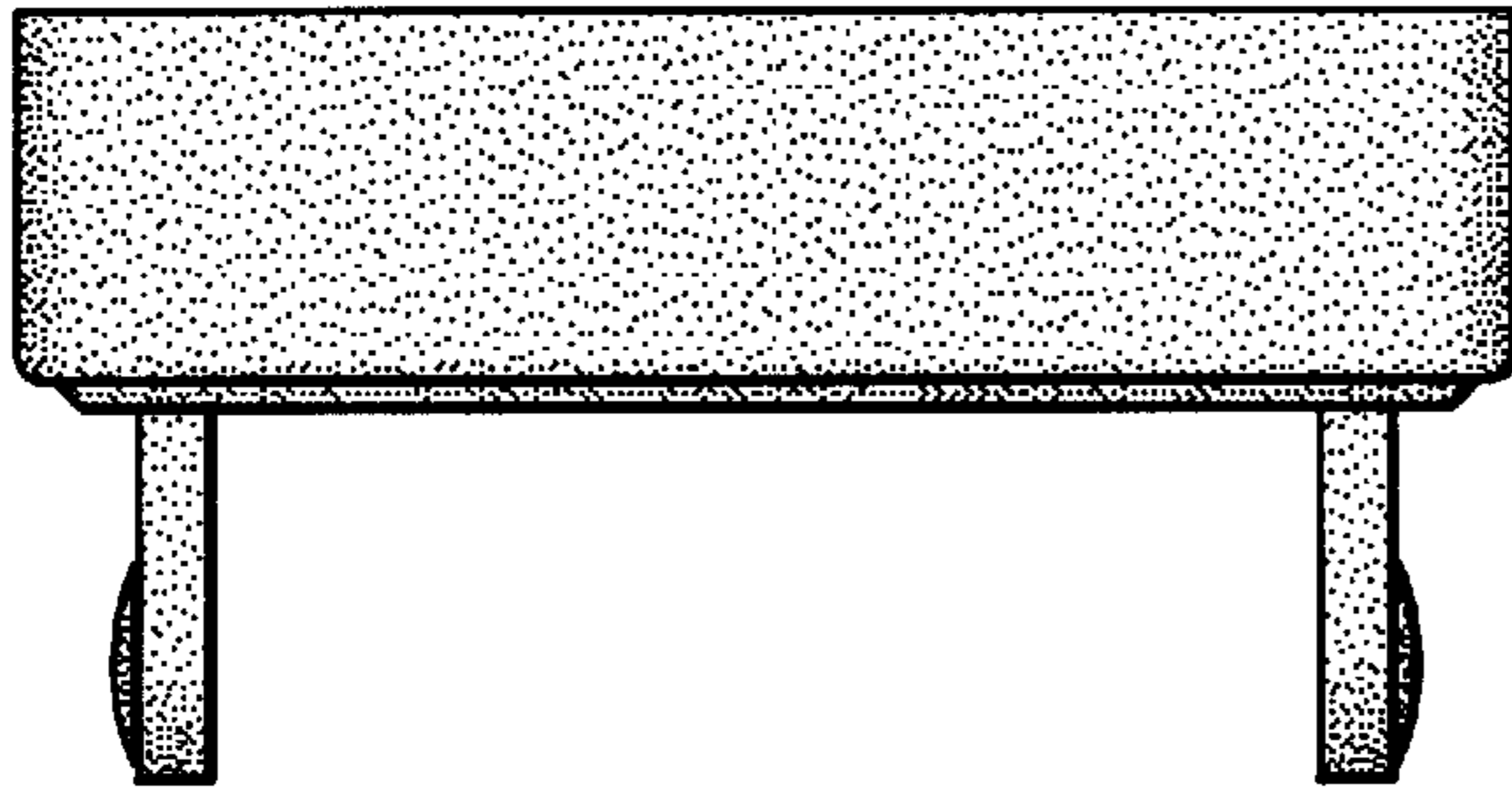


FIG. 3

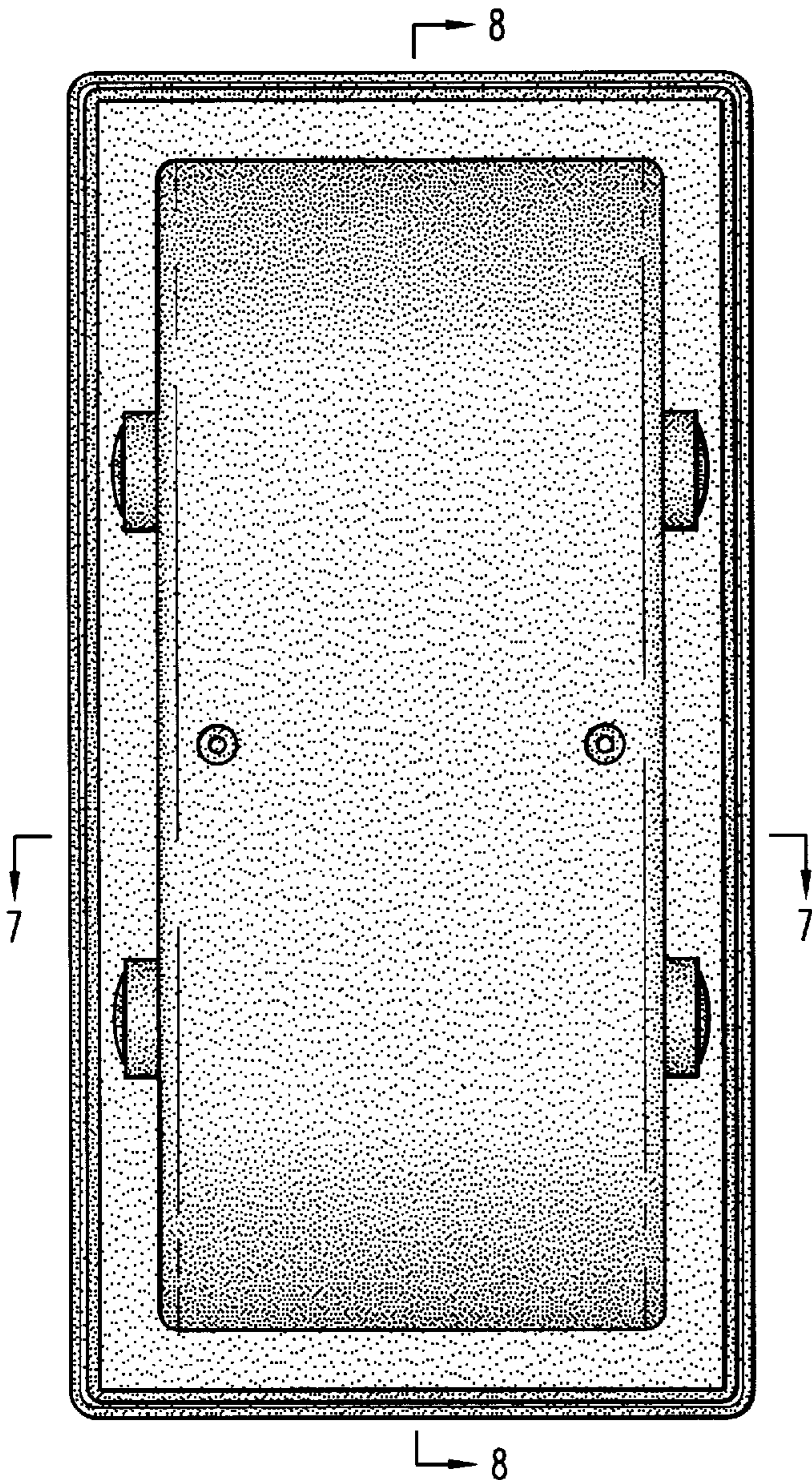


FIG. 4

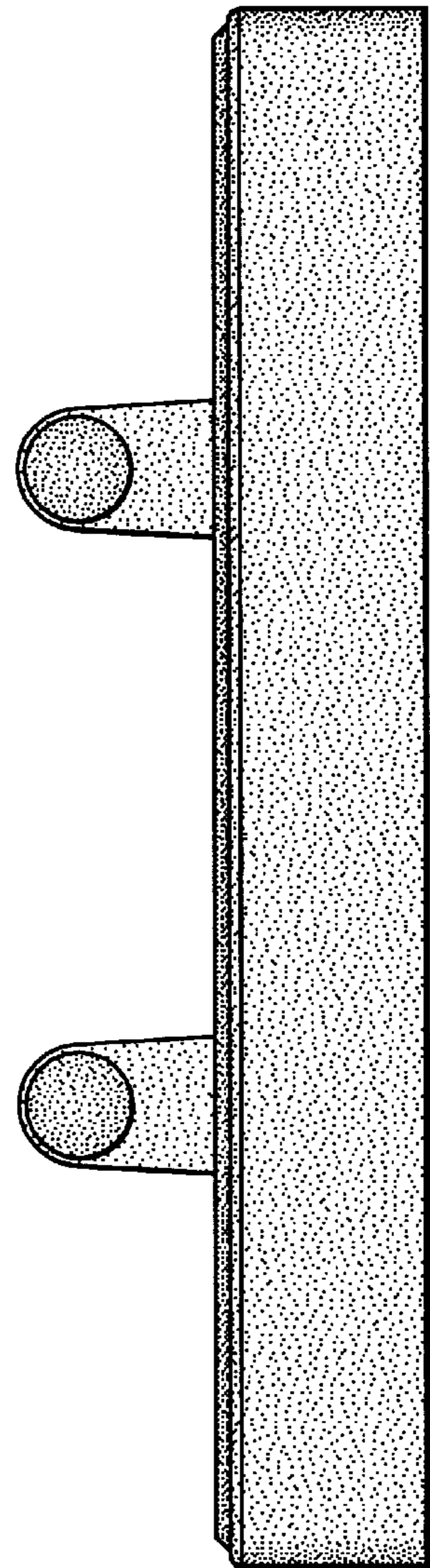


FIG. 5

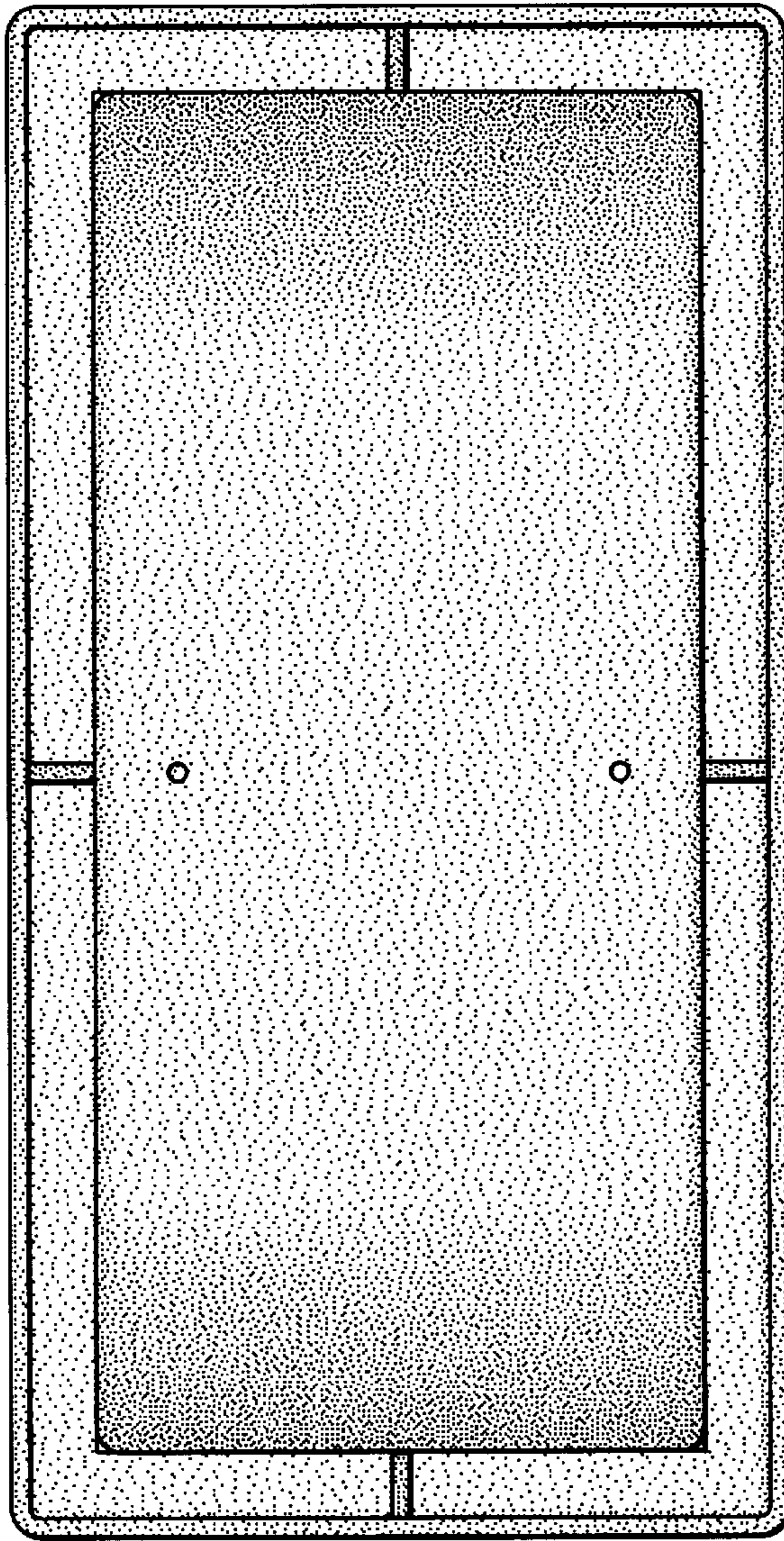


FIG. 6

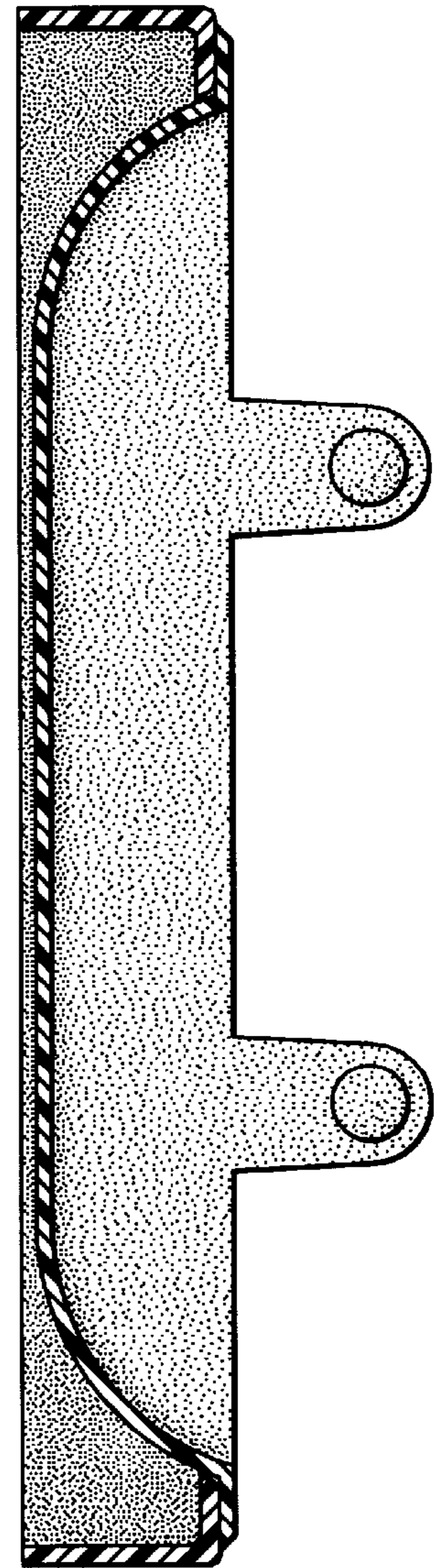


FIG. 8

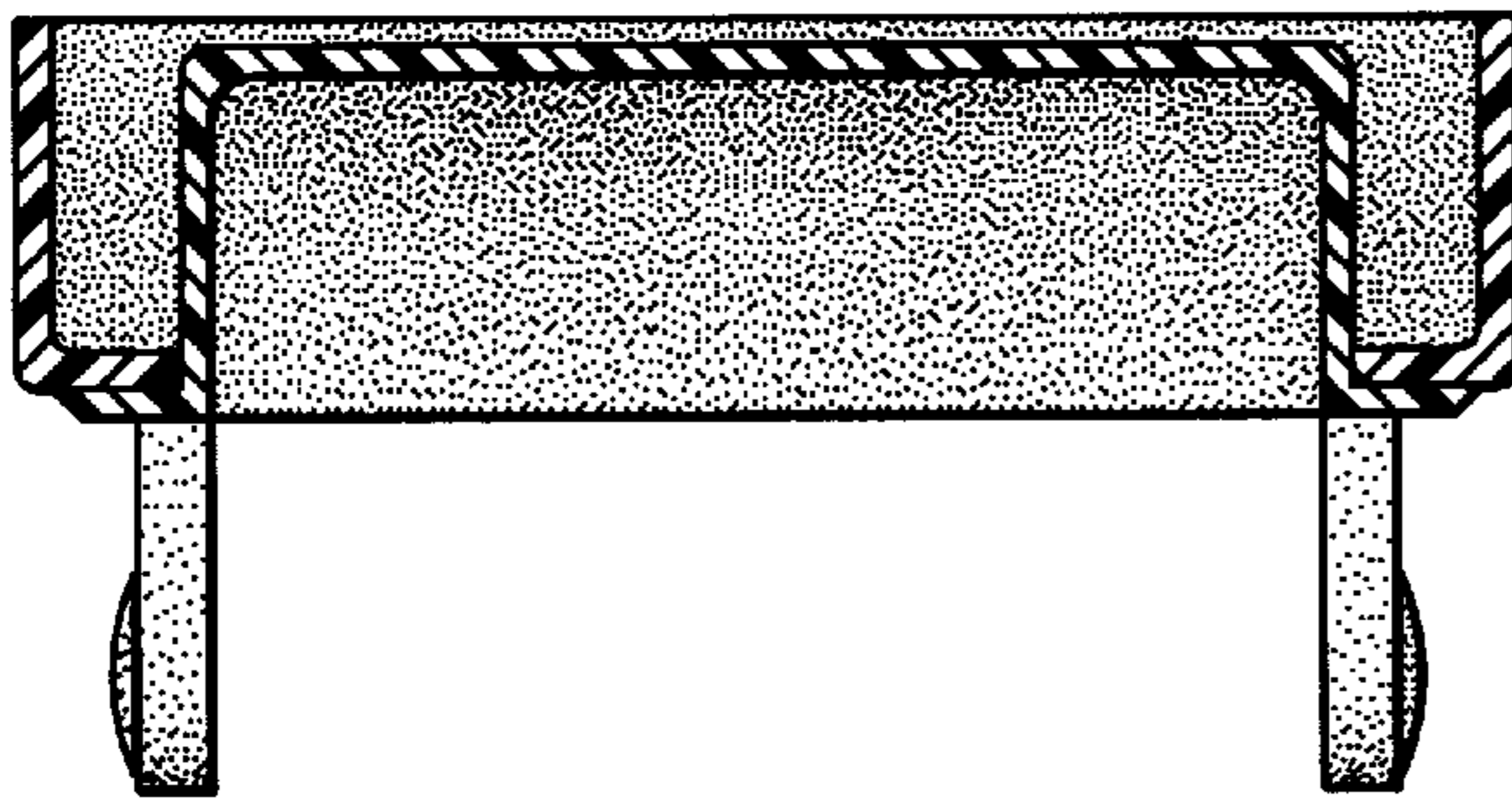


FIG. 7

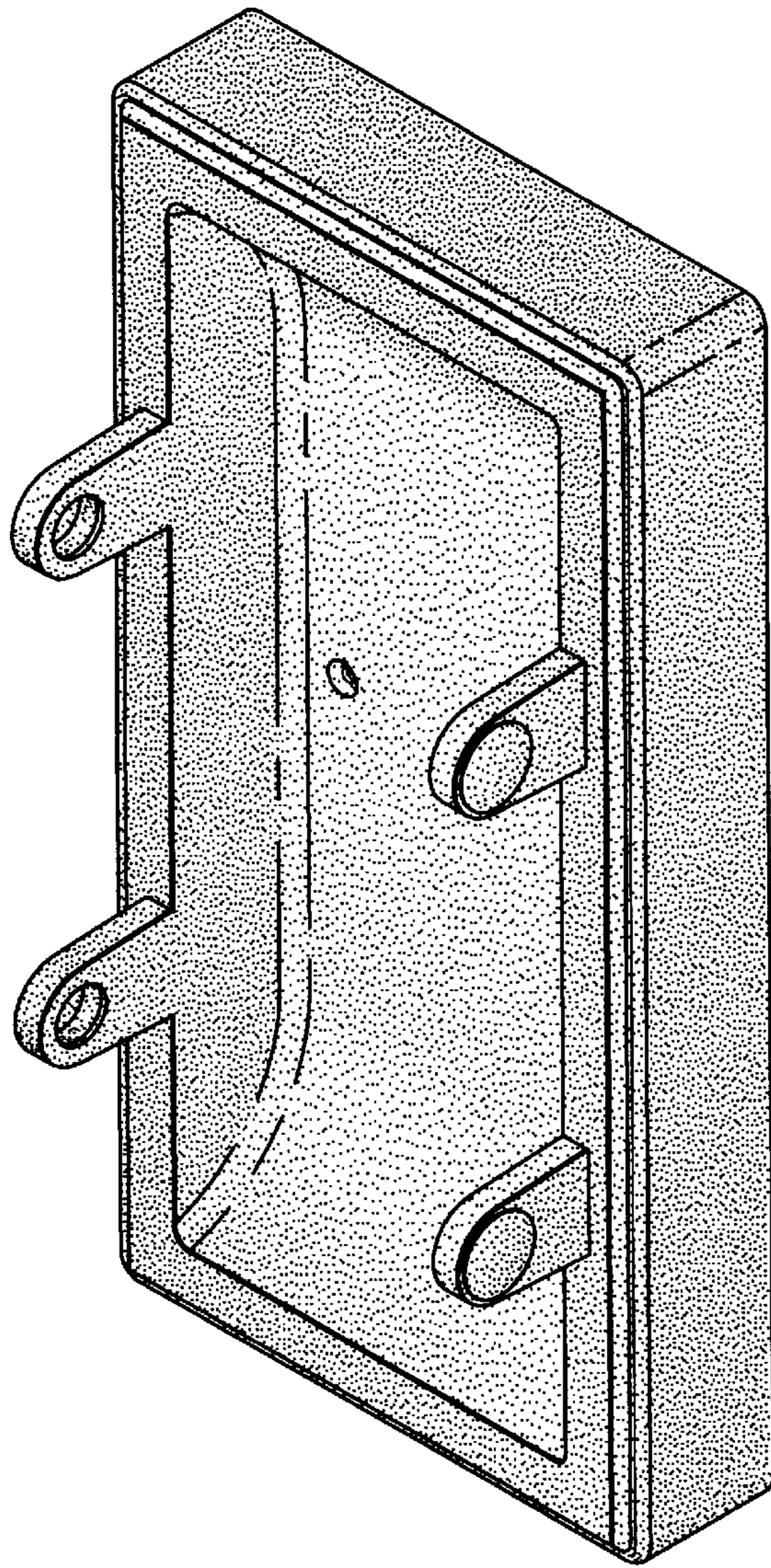


FIG. 9

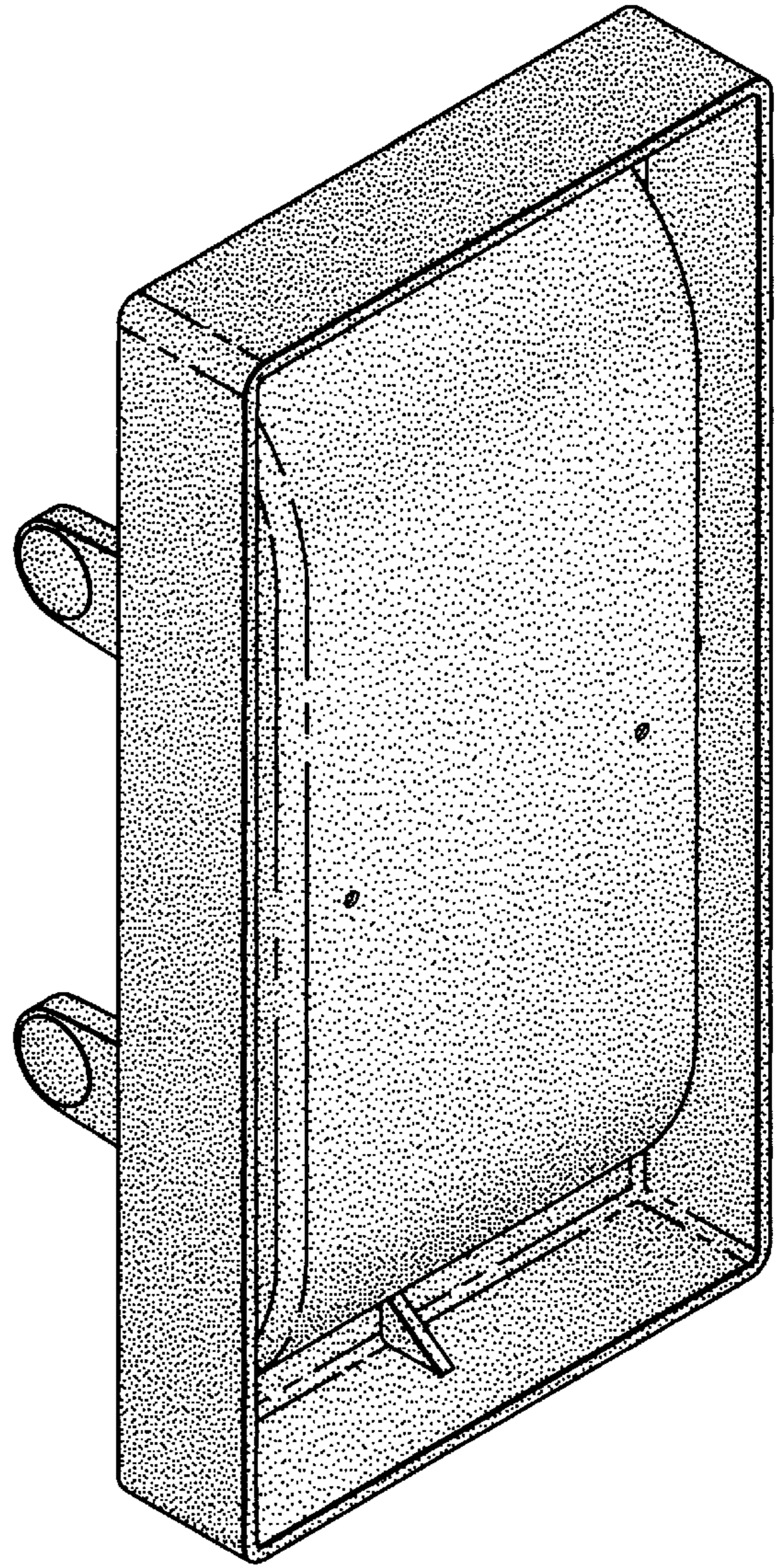


FIG. 10