



US00D406974S

United States Patent [19] King et al.

[11] **Patent Number: Des. 406,974**
[45] **Date of Patent: **Mar. 23, 1999**

[54] **SHEET MATERIAL DISPENSER**
[75] Inventors: **Timothy James King**, Clwyd, Wales;
James Justin Beech, Chester, England;
Neville John Pryke; Richard Stephen Thom, both of London, England; **Peter John Harvey Bessey**, East Sheen, England; **Stephen Patrick Middleton**, London, England

3,523,653 8/1970 Hansen 242/55.53
3,581,935 6/1971 Chi 221/1
3,749,296 7/1973 Harrison 225/106
4,009,682 3/1977 Patel et al. 225/106
4,274,573 6/1981 Finkelstein 225/106
4,963,406 10/1990 Gooding, Jr. et al. 428/43
5,065,924 11/1991 Granger 225/46
5,152,121 10/1992 Nakamura 53/431
5,205,454 4/1993 Schutz et al. 225/1
5,332,118 7/1994 Muckenfuhs 221/48

[73] Assignee: **Kimberly-Clark Worldwide, Inc.**, Neenah, Wis.

[**] Term: **14 Years**

[21] Appl. No.: **77,858**

[22] Filed: **Oct. 10, 1997**

[51] **LOC (6) Cl. 07-07**

[52] **U.S. Cl. D6/518**

[58] **Field of Search** D6/518-523; 206/389,
206/824; 221/33; 222/173, 180, 181.1;
312/34.1, 34.8

[56] **References Cited**

U.S. PATENT DOCUMENTS

D. 176,842 2/1956 D'Ath D6/518
D. 234,733 4/1975 Peasley D6/518
D. 238,731 2/1976 Krueger D6/518
D. 342,635 12/1993 Carter et al. D6/518
D. 385,734 11/1997 Mervar et al. D6/518
2,033,582 3/1936 Materno 206/57
3,150,808 9/1964 Vensel 225/106

FOREIGN PATENT DOCUMENTS

1297667 3/1992 Canada .
0107487A1 5/1984 European Pat. Off. .
0331653A2 9/1989 European Pat. Off. .
0480848A1 4/1992 European Pat. Off. .

Primary Examiner—Brian N. Vinson
Attorney, Agent, or Firm—J. E. Ruland

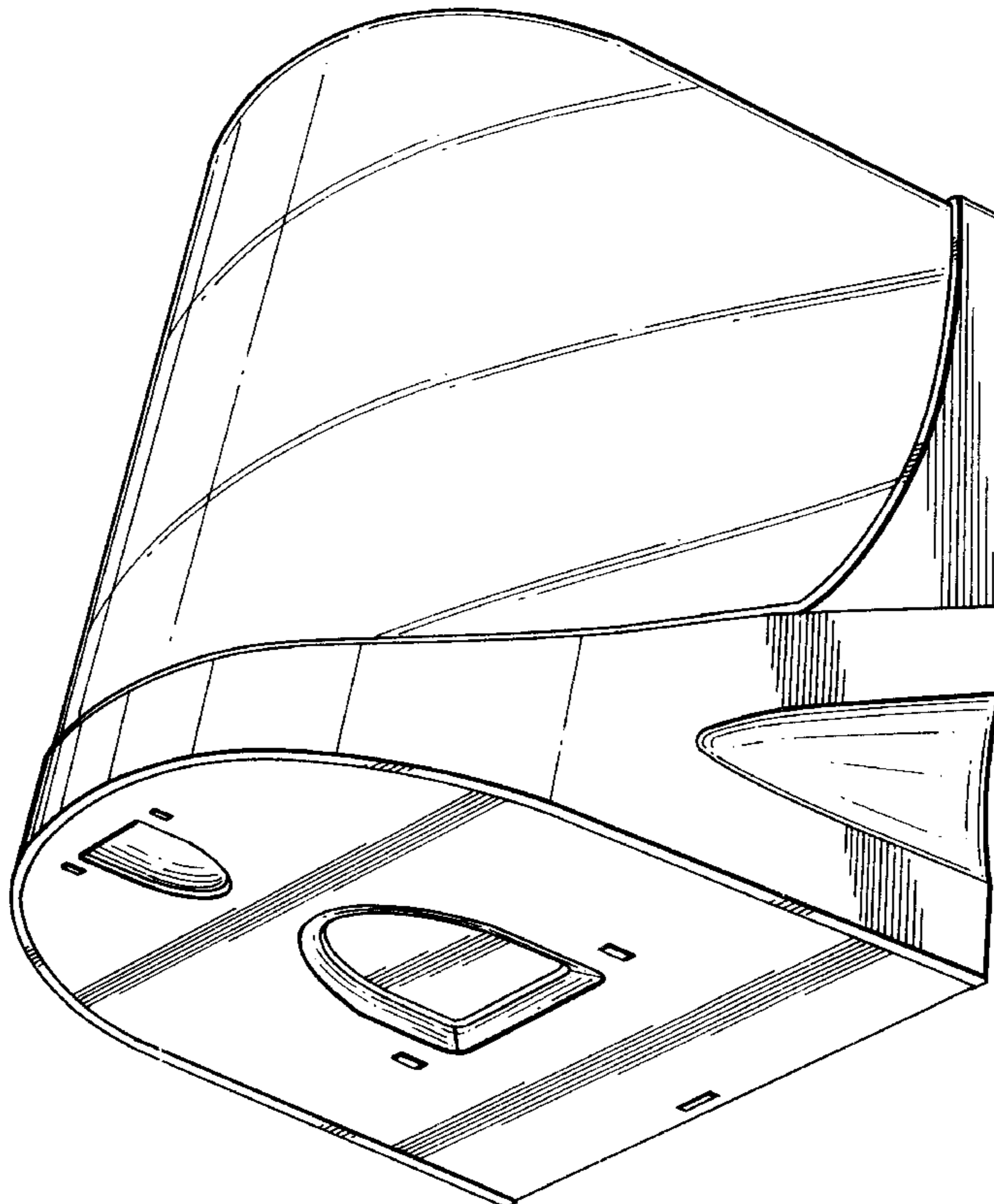
[57] **CLAIM**

We claim the ornamental design for the sheet material dispenser, as shown and described.

DESCRIPTION

FIG. 1 is a left front perspective view of the sheet material dispenser showing our new design;
FIG. 2 is a bottom plan view thereof;
FIG. 3 is a front elevation thereof;
FIG. 4 is a rear elevation thereof;
FIG. 5 is a right side elevation thereof;
FIG. 6 is a left side elevation thereof; and,
FIG. 7 is a top plan view thereof.

1 Claim, 7 Drawing Sheets



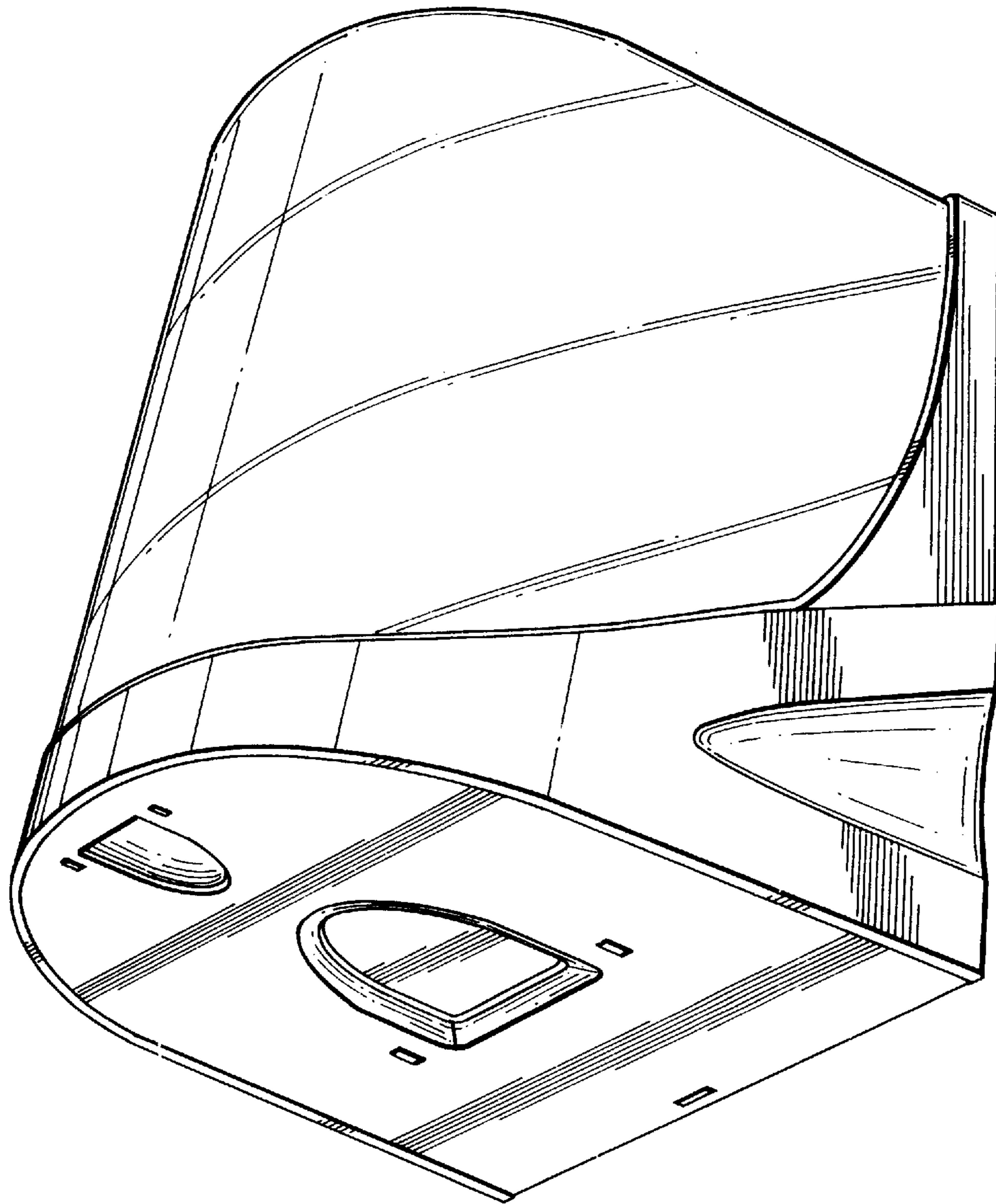


FIG. 1

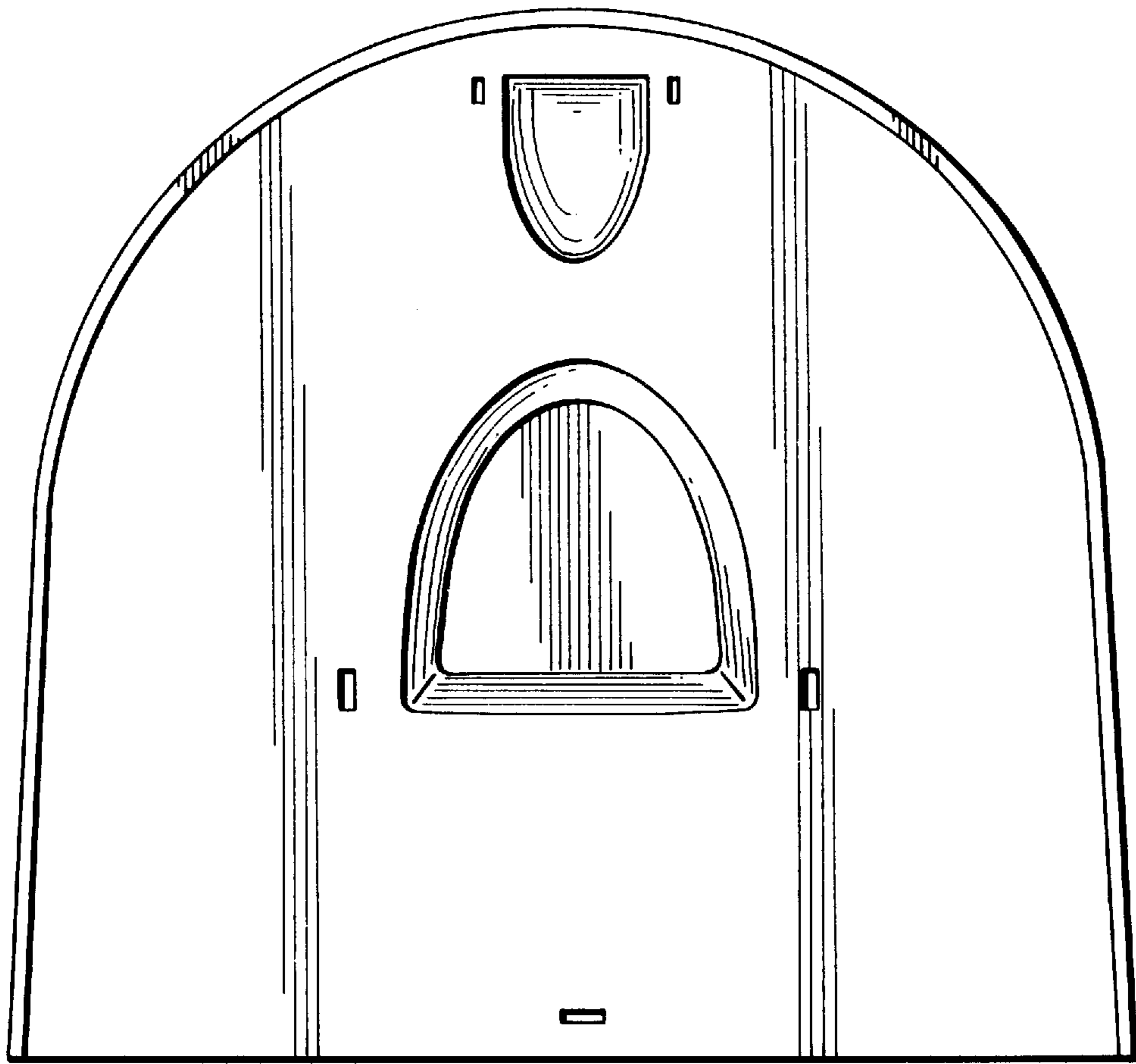


FIG. 2

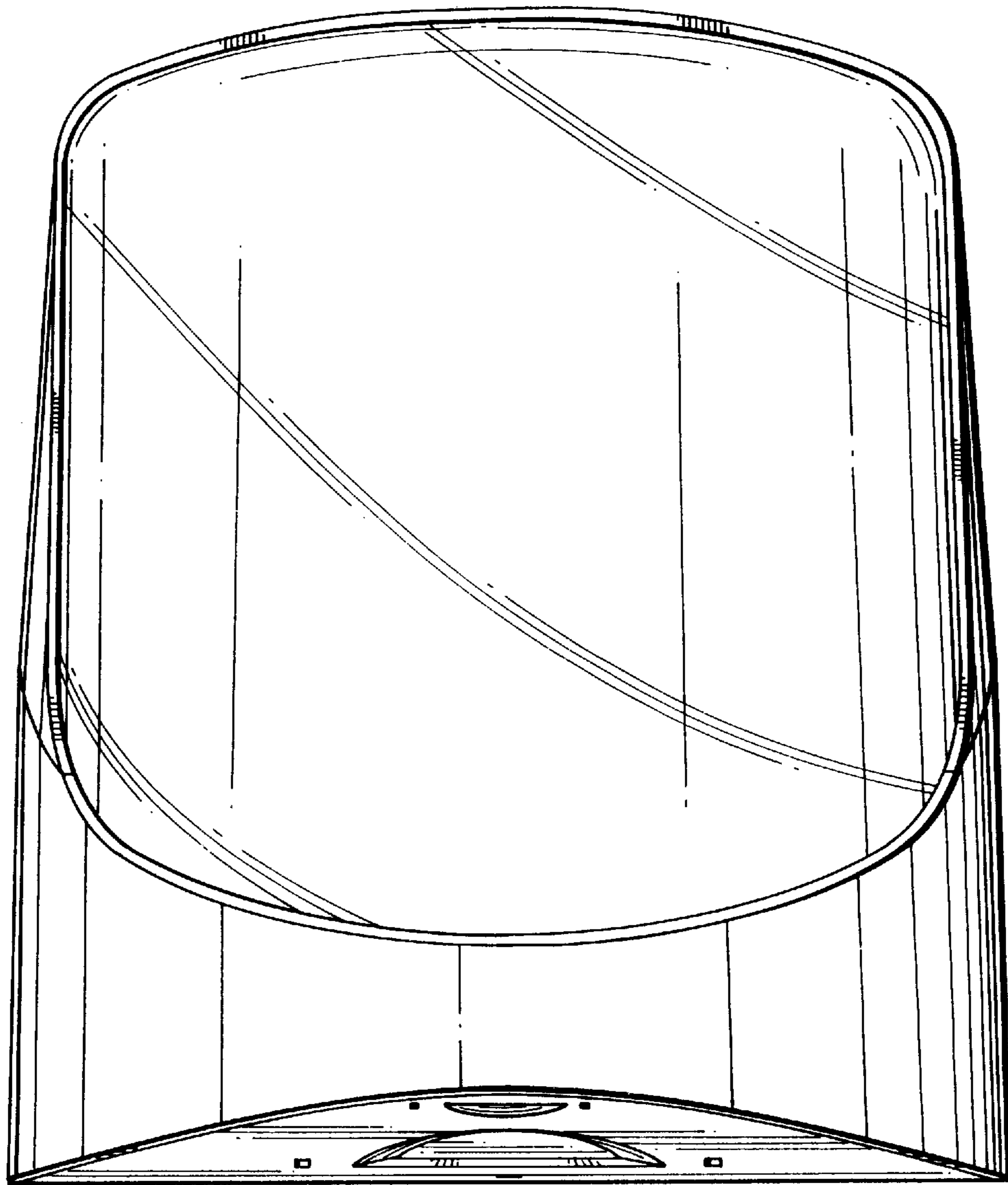


FIG. 3

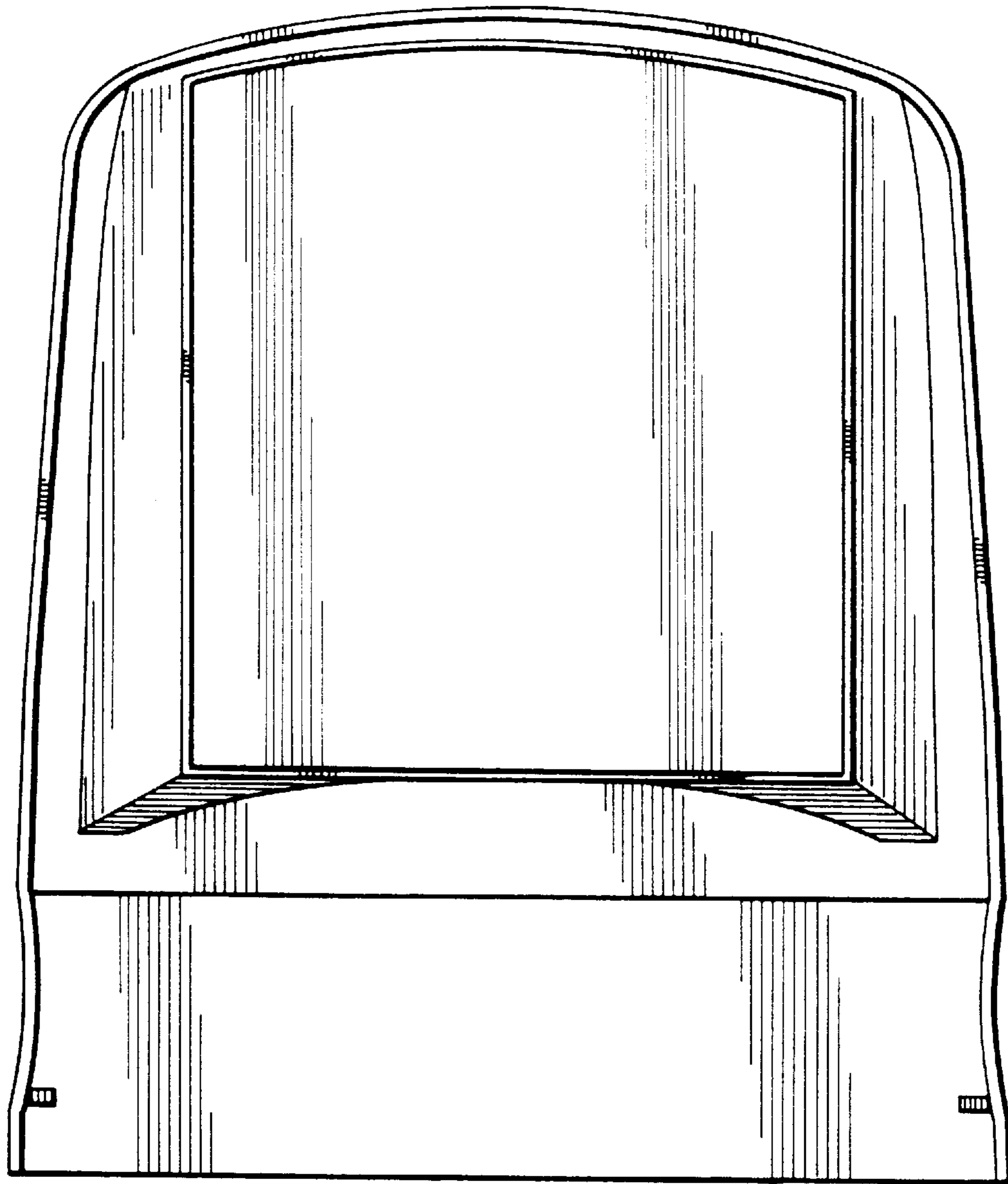


FIG. 4

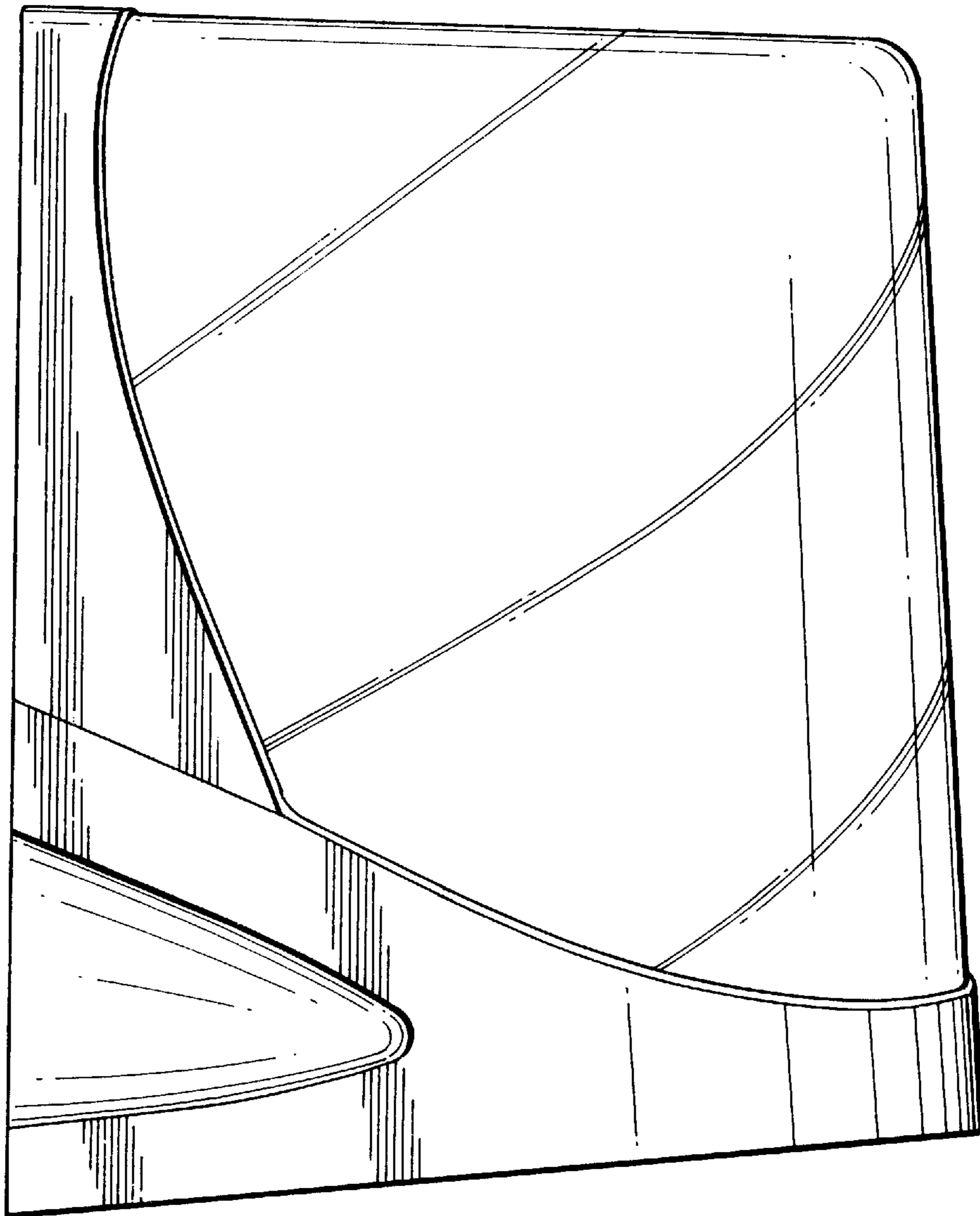


FIG. 5

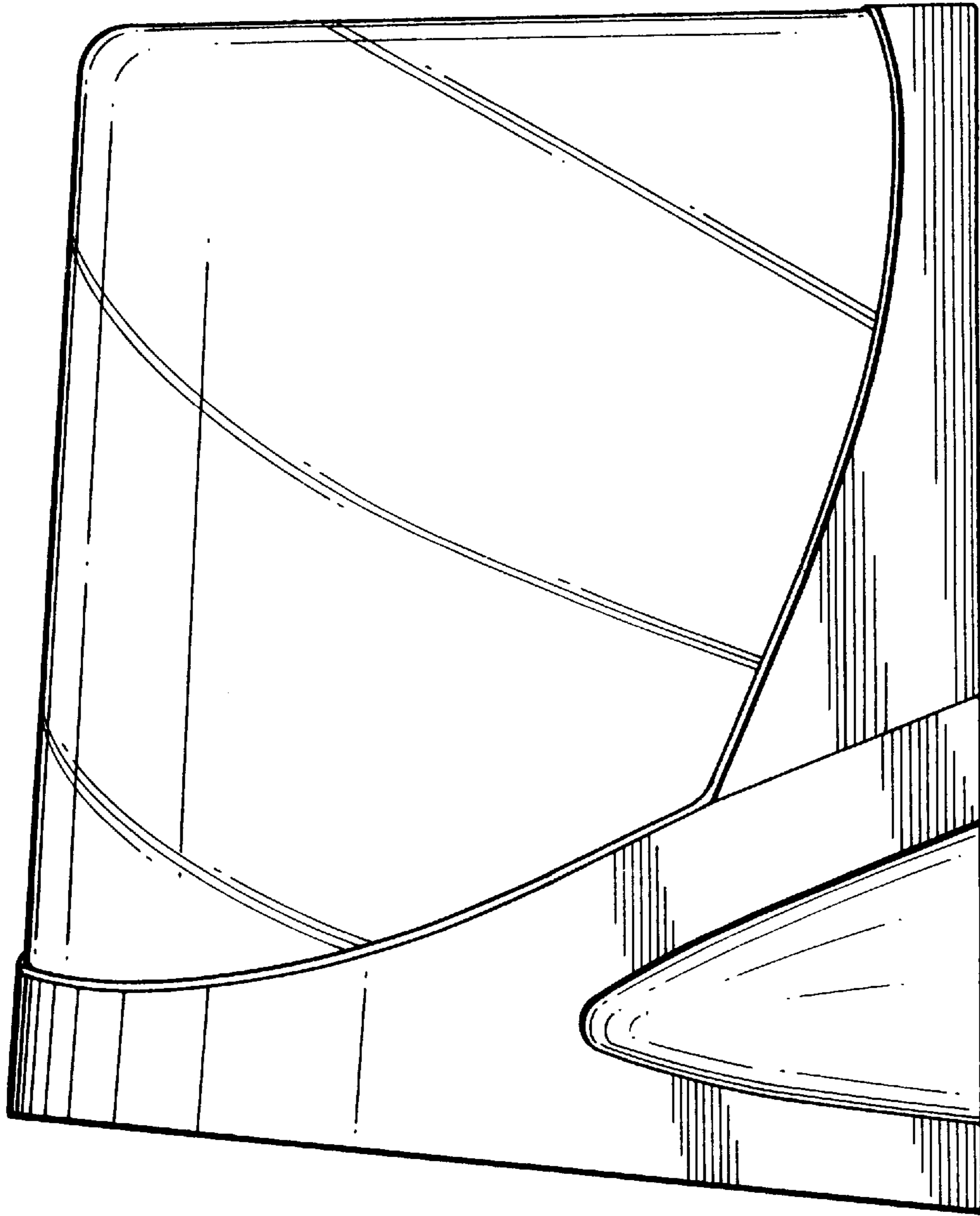


FIG. 6

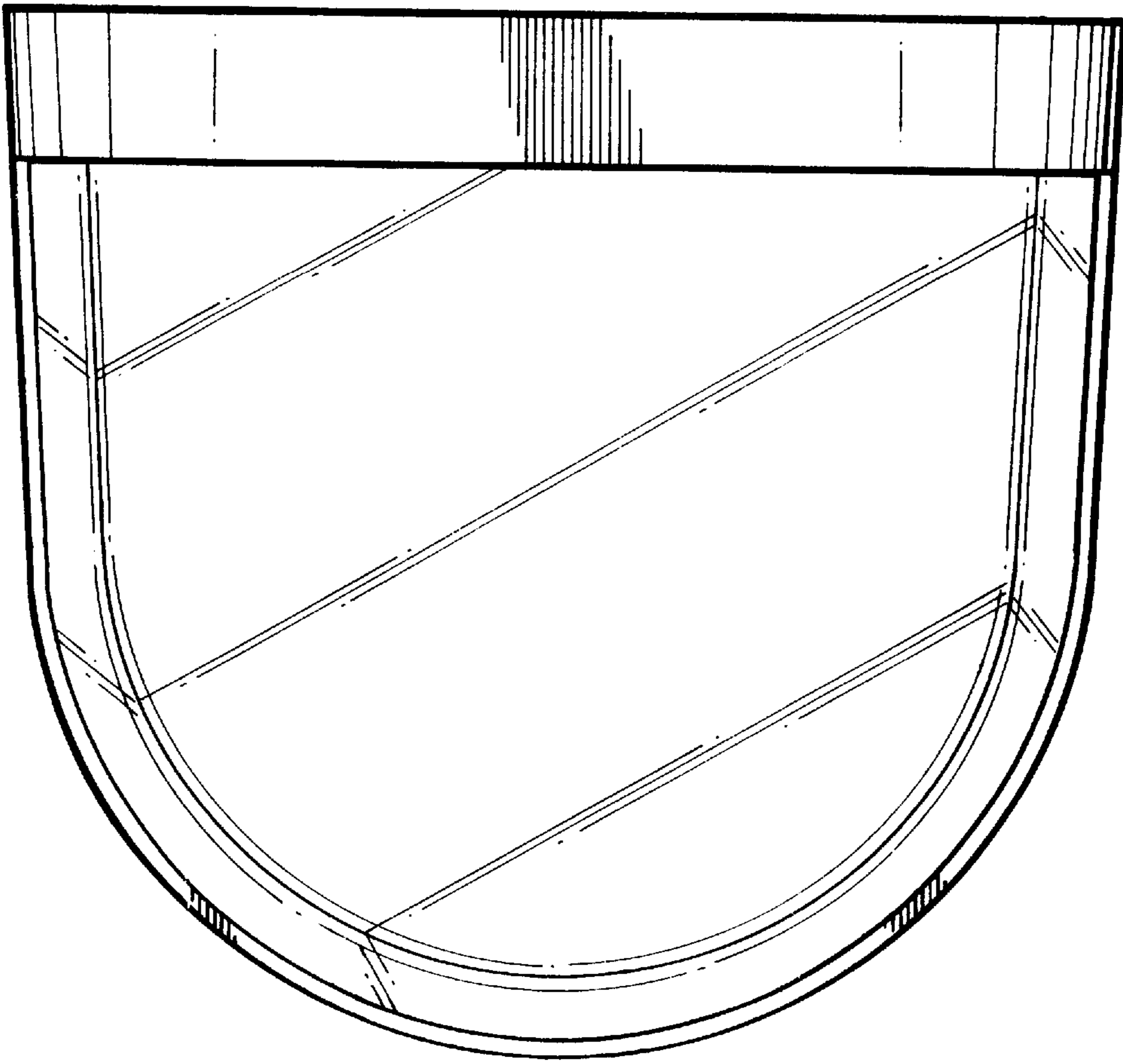


FIG. 7