



US00D406973S

# United States Patent [19]

Thomas

[11] Patent Number: **Des. 406,973**

[45] Date of Patent: **\*\*Mar. 23, 1999**

[54] **RECYCLABLE PLASTIC BAG DISPENSER**

[75] Inventor: **Robert Thomas**, 3366 Ajax St.,  
Pittsburgh, Pa. 15213

[73] Assignee: **Robert Thomas**, Pittsburgh, Pa.

[\*\*] Term: **14 Years**

[21] Appl. No.: **76,569**

[22] Filed: **Sep. 10, 1997**

[51] **LOC (6) Cl.** ..... **07-07**

[52] **U.S. Cl.** ..... **D6/515**

[58] **Field of Search** ..... D6/512, 515, 517,  
D6/522, 523, 553; D34/1, 5, 6; 211/13.1,  
86-87, 126; 221/282-286, 33, 34, 35

[56] **References Cited**

**U.S. PATENT DOCUMENTS**

- D. 312,178 11/1990 Fautley .
- D. 313,135 12/1990 Kloberg .
- D. 327,014 6/1992 Heller et al. .

- D. 329,344 9/1992 Carillo .
- D. 358,325 5/1995 McNaughton .
- D. 360,788 8/1995 Cousins .
- 4,850,486 7/1989 Neibaur ..... 221/34 X
- 5,002,200 3/1991 Hunt .
- 5,042,687 8/1991 McKinley .
- 5,511,691 4/1996 West .

*Primary Examiner*—Brian N. Vinson

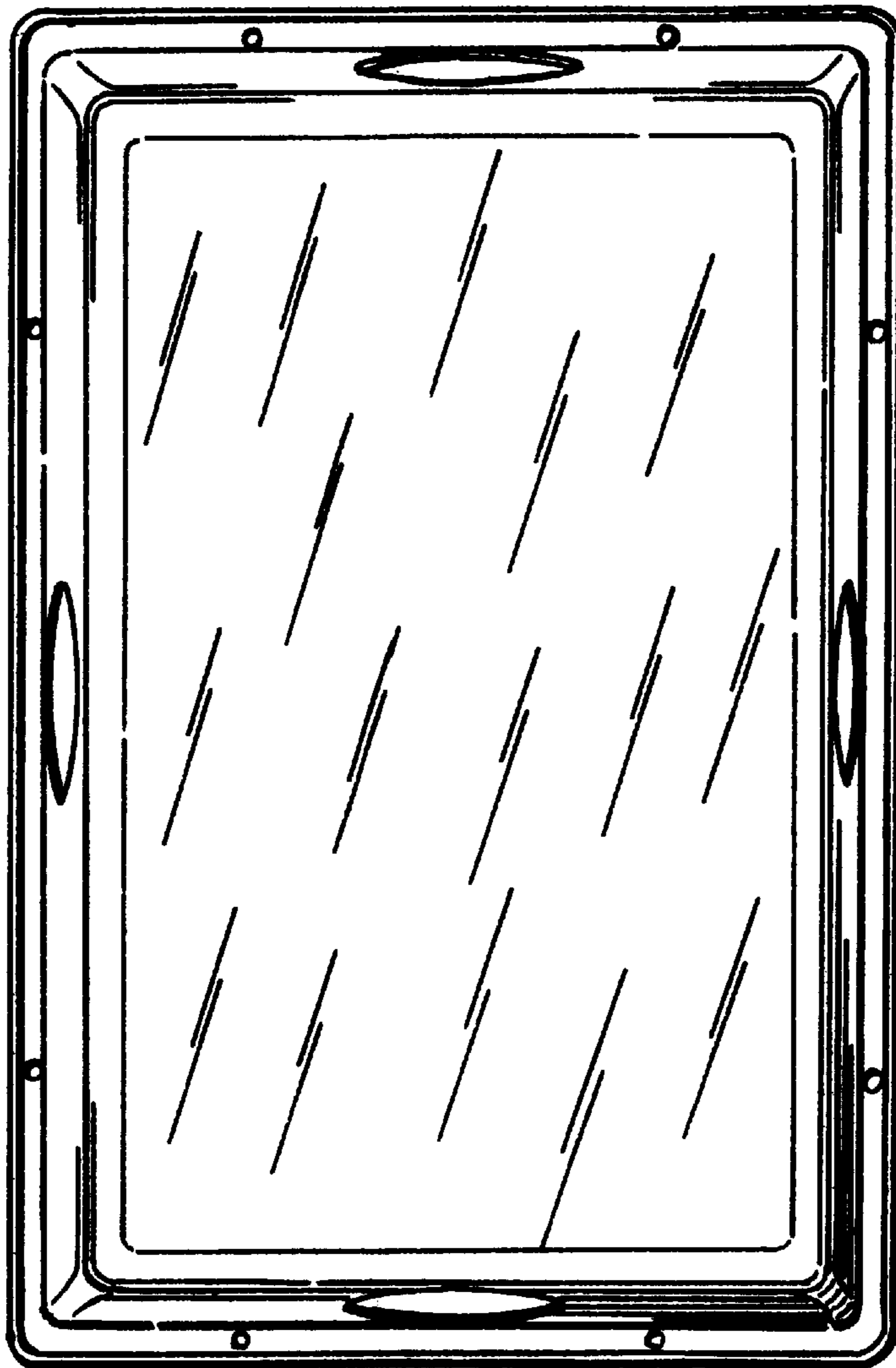
[57] **CLAIM**

The ornamental design for the recyclable plastic bag dispenser, as shown and described.

**DESCRIPTION**

FIG. 1 is front elevational view of a recyclable plastic bag dispenser showing my new design;  
 FIG. 2 is a back or inside view thereof;  
 FIG. 3 is the right side view thereof, the left side being a mirror image; and,  
 FIG. 4 is a top view thereof; the bottom view a mirror image.

**1 Claim, 2 Drawing Sheets**



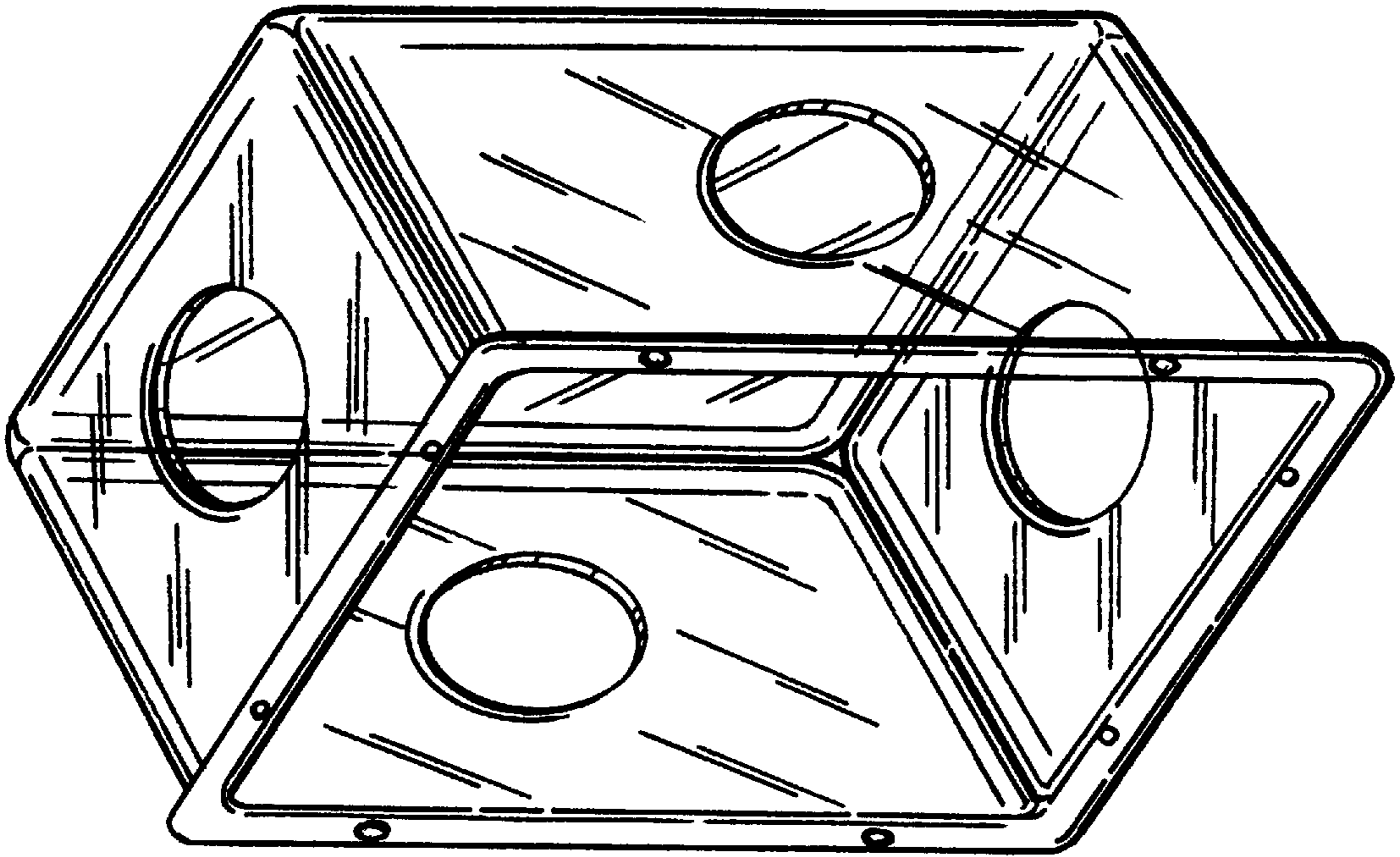


FIG. 2

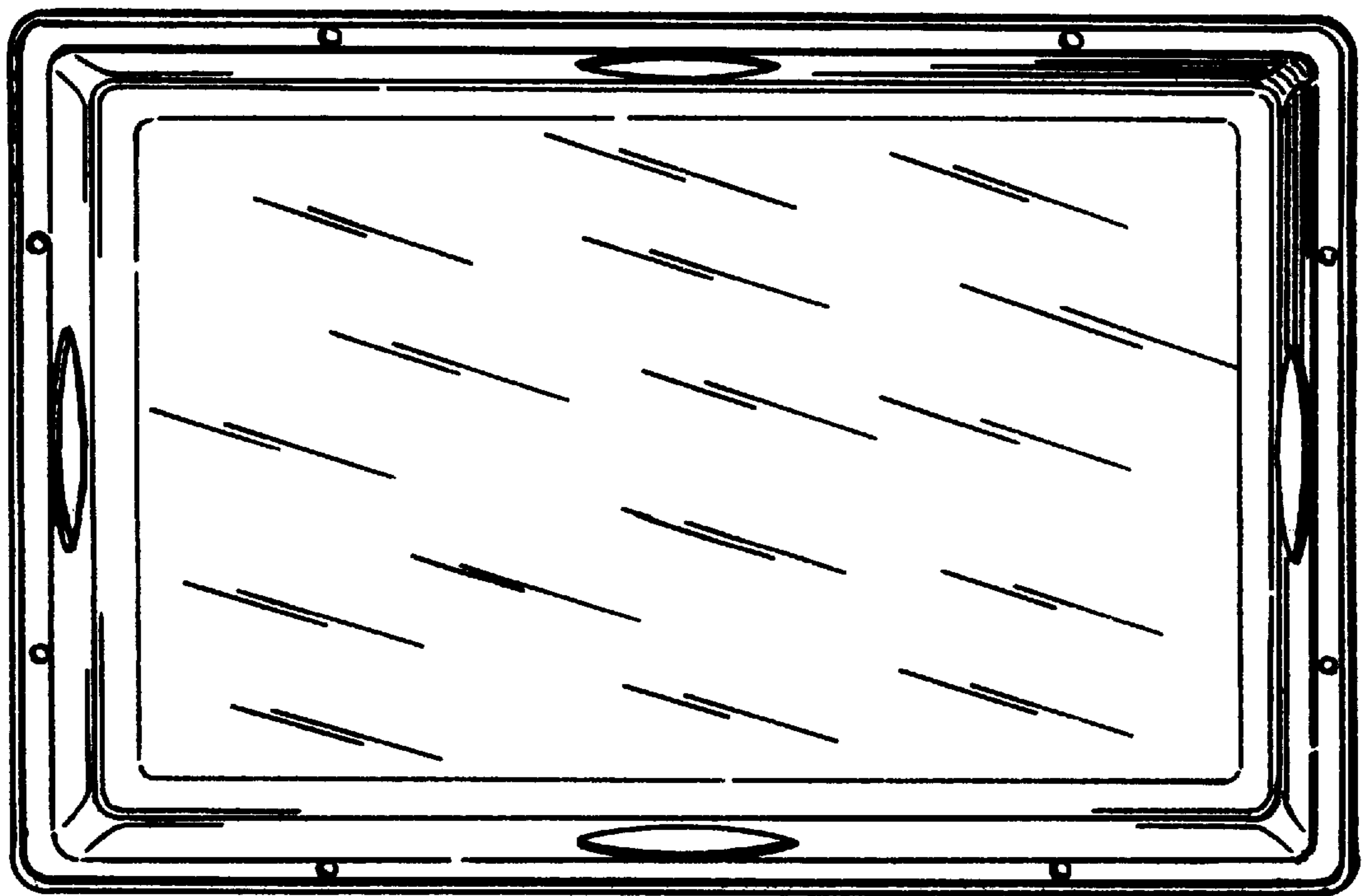


FIG. 1

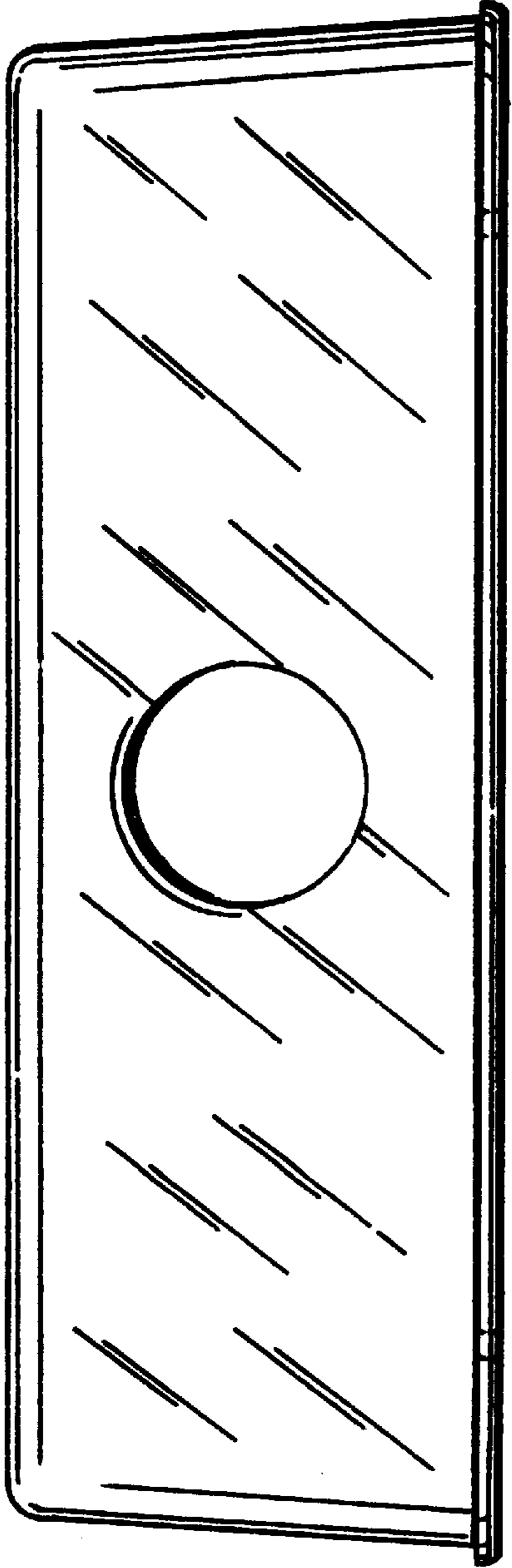


FIG. 3

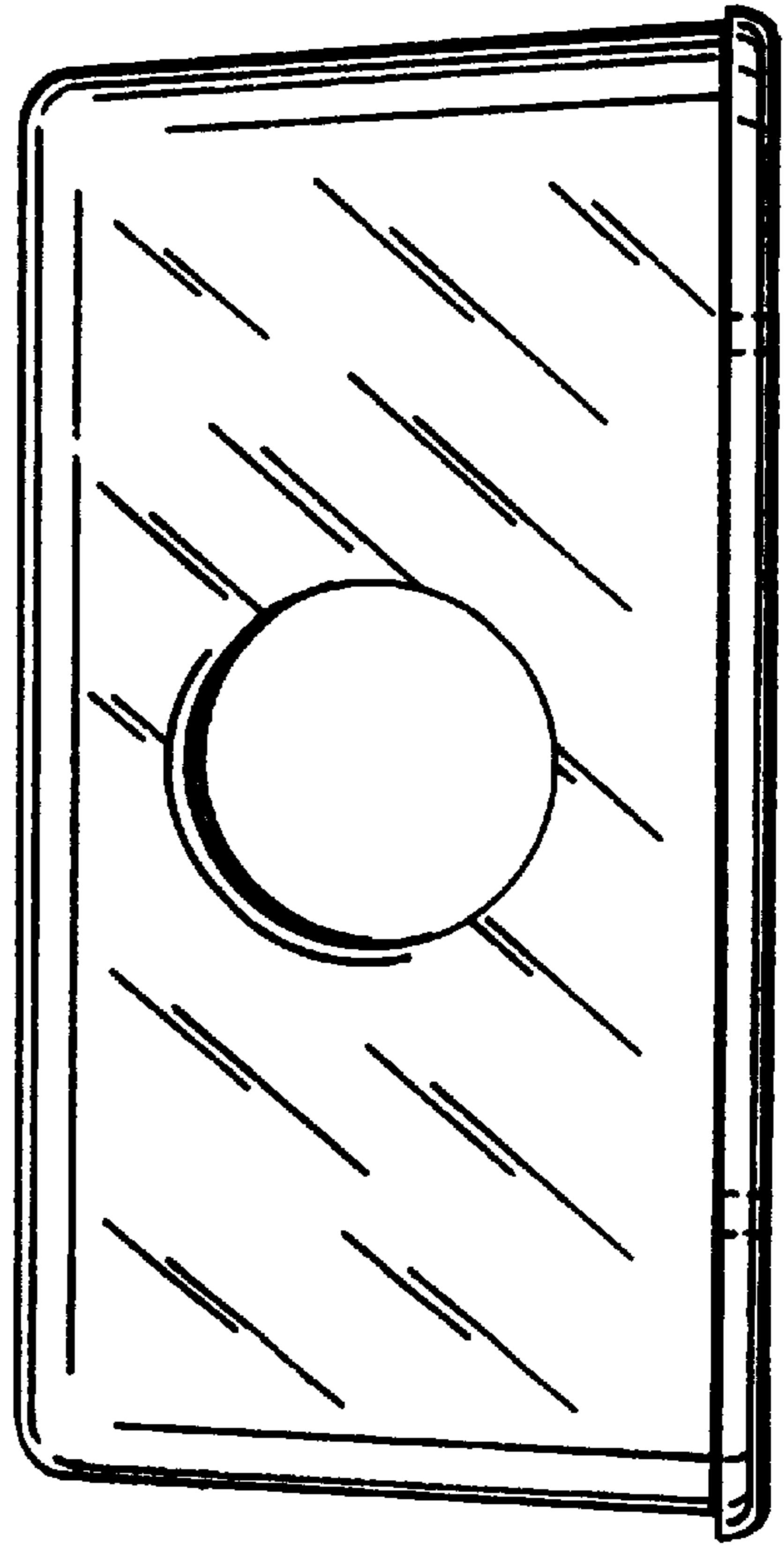


FIG. 4