



US00D406971S

United States Patent [19] McDiarmid

[11] Patent Number: **Des. 406,971**

[45] Date of Patent: ****Mar. 23, 1999**

[54] CHAIR/OTTOMAN BASE

DESCRIPTION

[75] Inventor: **Ronald D. McDiarmid**, La Habra, Calif.

[73] Assignee: **Gruga U.S.A.**, Industry, Calif.

[**] Term: **14 Years**

[21] Appl. No.: **90,314**

[22] Filed: **Jul. 6, 1998**

[51] LOC (6) Cl. **06-06**

[52] U.S. Cl. **D6/495; D6/500**

[58] Field of Search D6/495-499, 349, D6/352, 353, 365, 364, 367; 297/461, 462, 423.1, 423.39, 423.41; 248/346.01, 188, 188.1

[56] References Cited

U.S. PATENT DOCUMENTS

D. 291,265 8/1987 Heggdal et al. D6/367
D. 364,283 11/1995 Zaidman D6/365

OTHER PUBLICATIONS

Ekornes, p. 9.

Primary Examiner—Janice E. Seeger

Attorney, Agent, or Firm—Sheppard, Mullin, Richter & Hampton; James R. Brueggemann

[57] CLAIM

The ornamental design for a chair/ottoman base, as shown and described.

FIG. 1 is a perspective view of a first embodiment of a chair/ottoman base embodying my new design, with a chair supported by the base being shown in phantom lines “for environmental purposes only and forming no part of the claimed design;”

FIG. 2 is a top plan view of the chair/ottoman base of FIG. 1;

FIG. 3 is a bottom plan view of the chair/ottoman base of FIG. 1;

FIG. 4 is a left side elevational view of the chair/ottoman base of FIG. 1, which is identical to the right side elevational view thereof;

FIG. 5 is a front elevational view of the chair/ottoman base of FIG. 1, which is identical to the rear elevation view thereof;

FIG. 6 is a perspective view of a second embodiment of a chair/ottoman base embodying my new design;

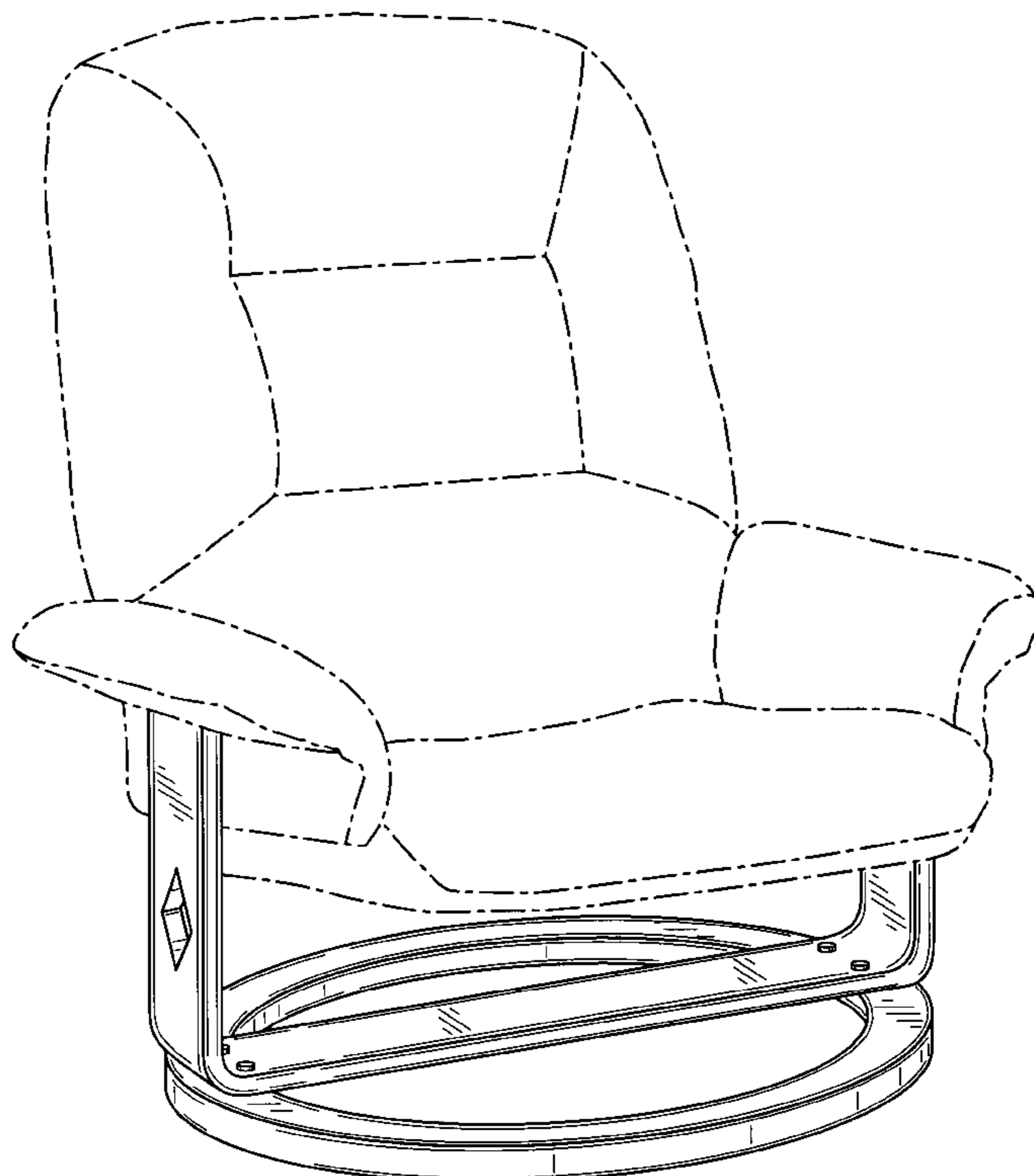
FIG. 7 is a top plan view of the chair/ottoman base of FIG. 6;

FIG. 8 is a bottom plan view of the chair/ottoman base of FIG. 6;

FIG. 9 is a left side elevational view of the chair/ottoman base of FIG. 6, which is identical to the right side elevational view thereof; and,

FIG. 10 is a front elevational view of the chair/ottoman base of FIG. 6, which is identical to the rear elevation view thereof.

1 Claim, 8 Drawing Sheets



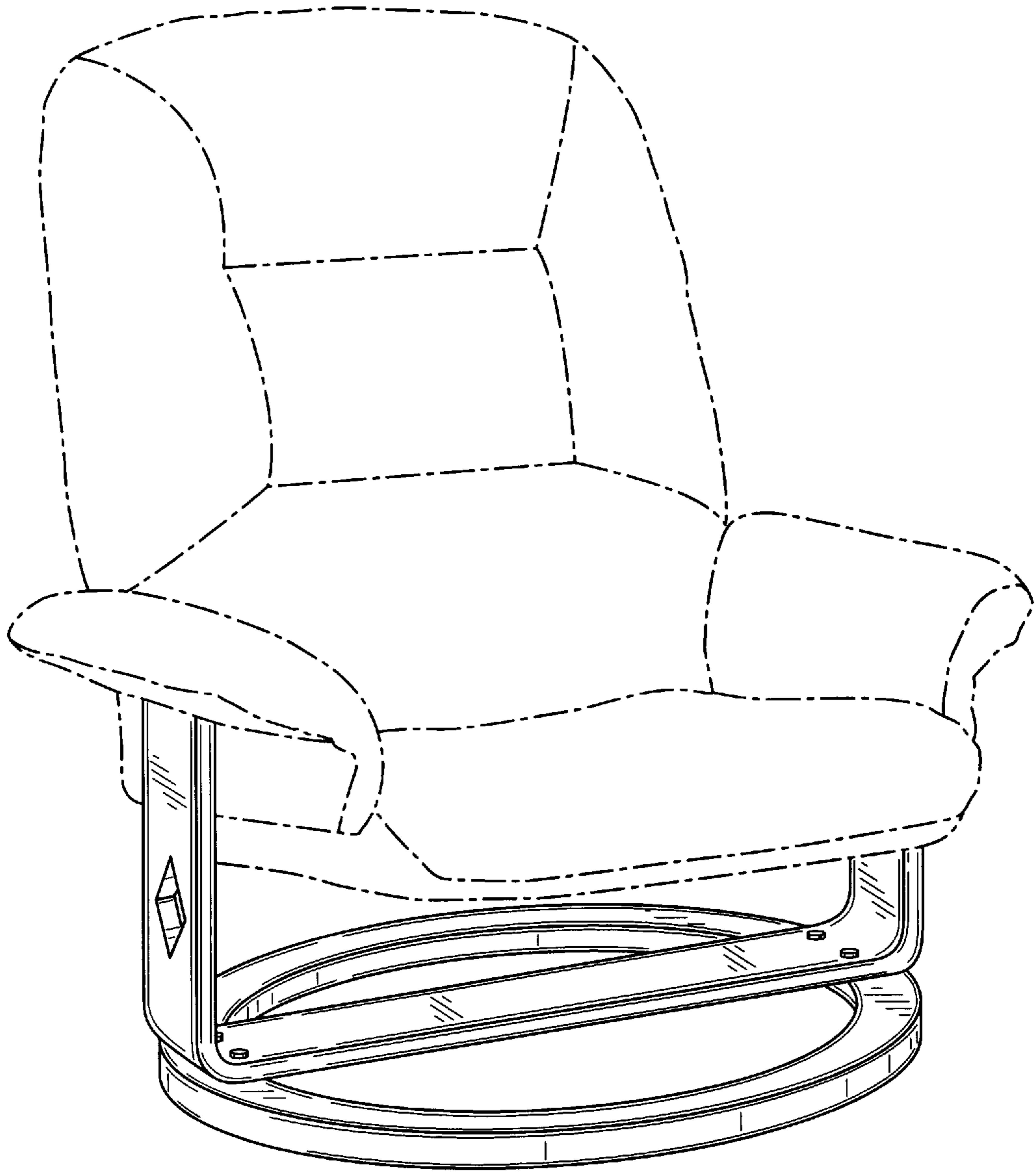


FIG. 1

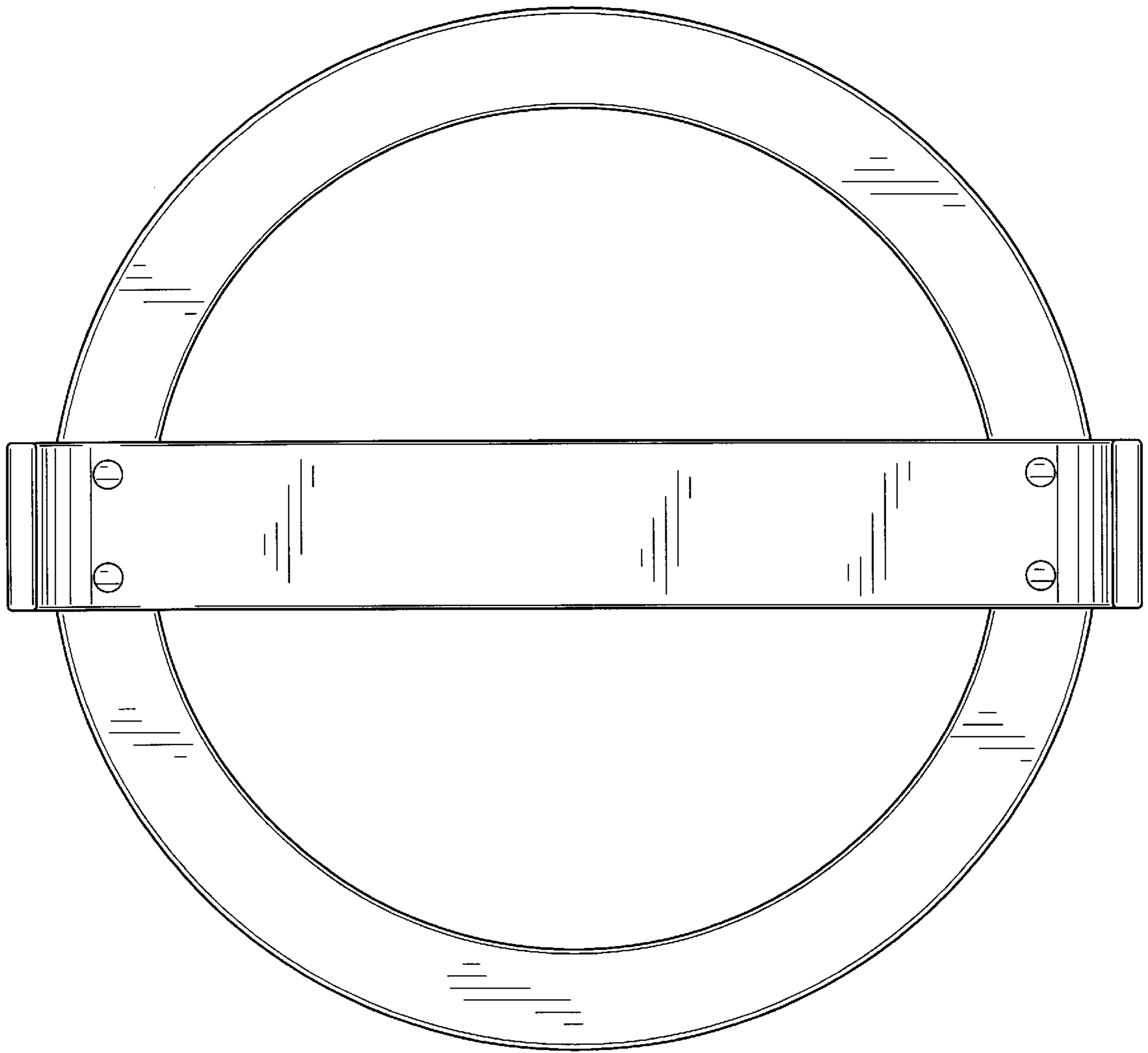


FIG. 2

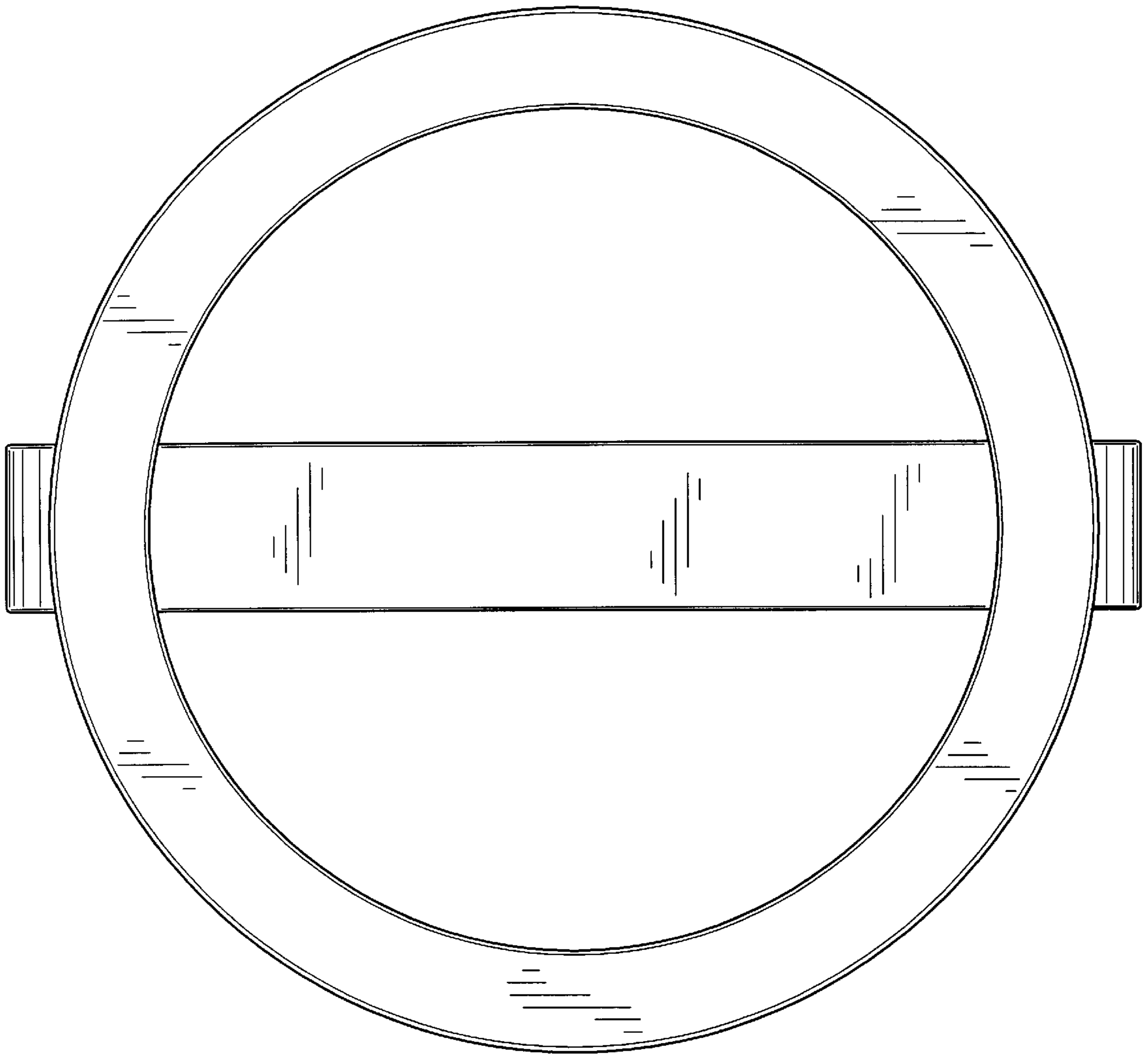


FIG. 3

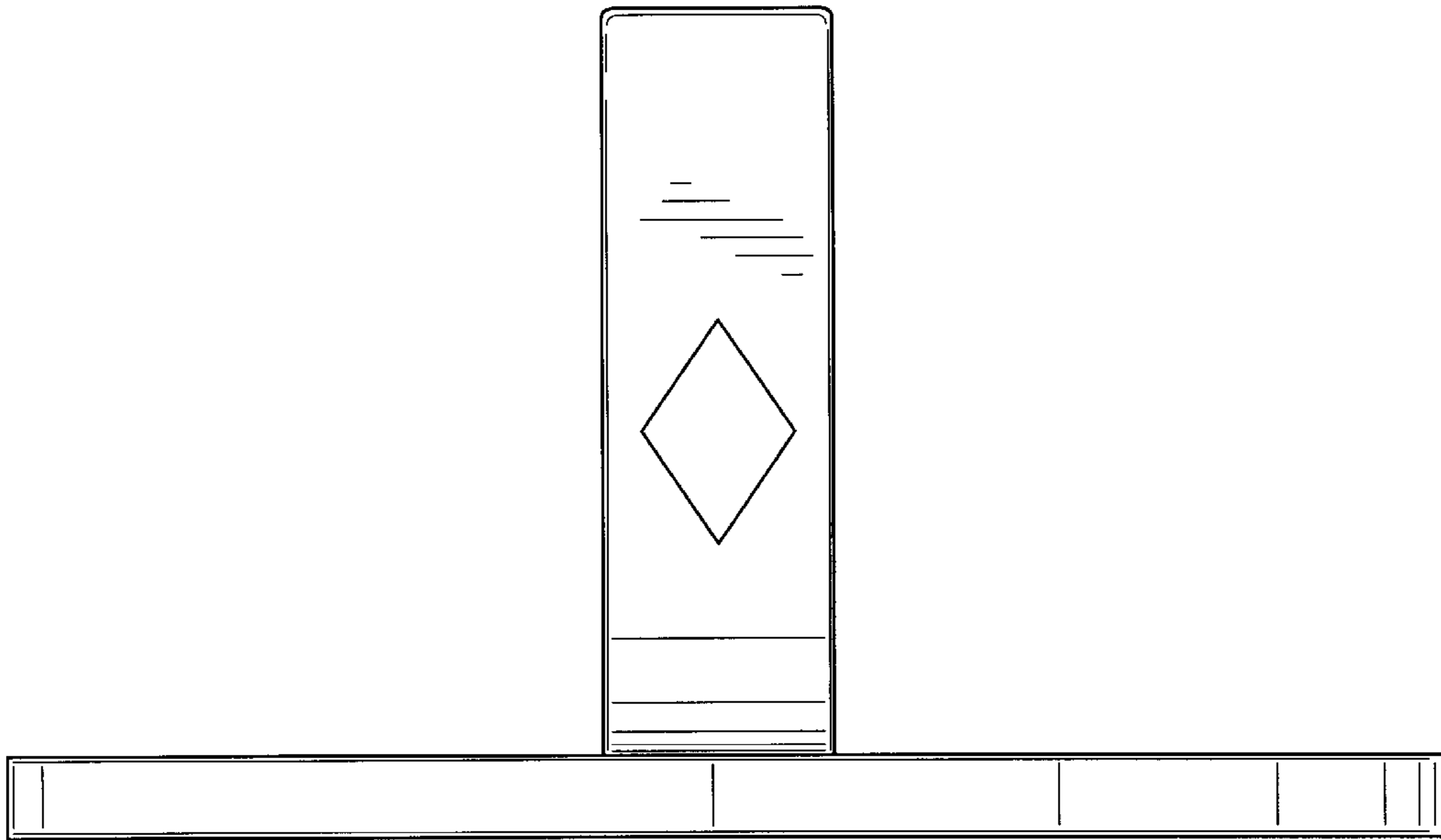


FIG. 4

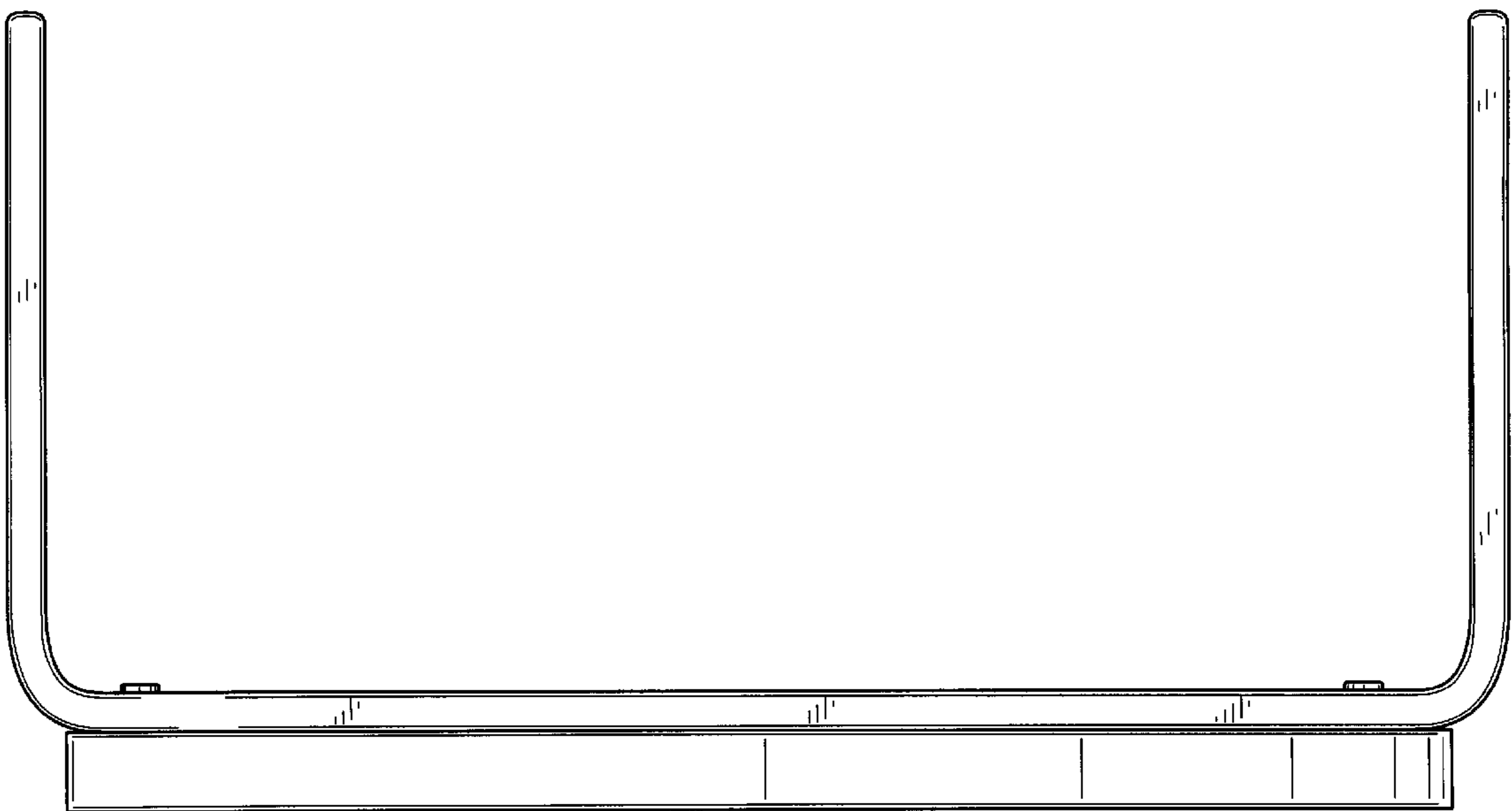


FIG. 5

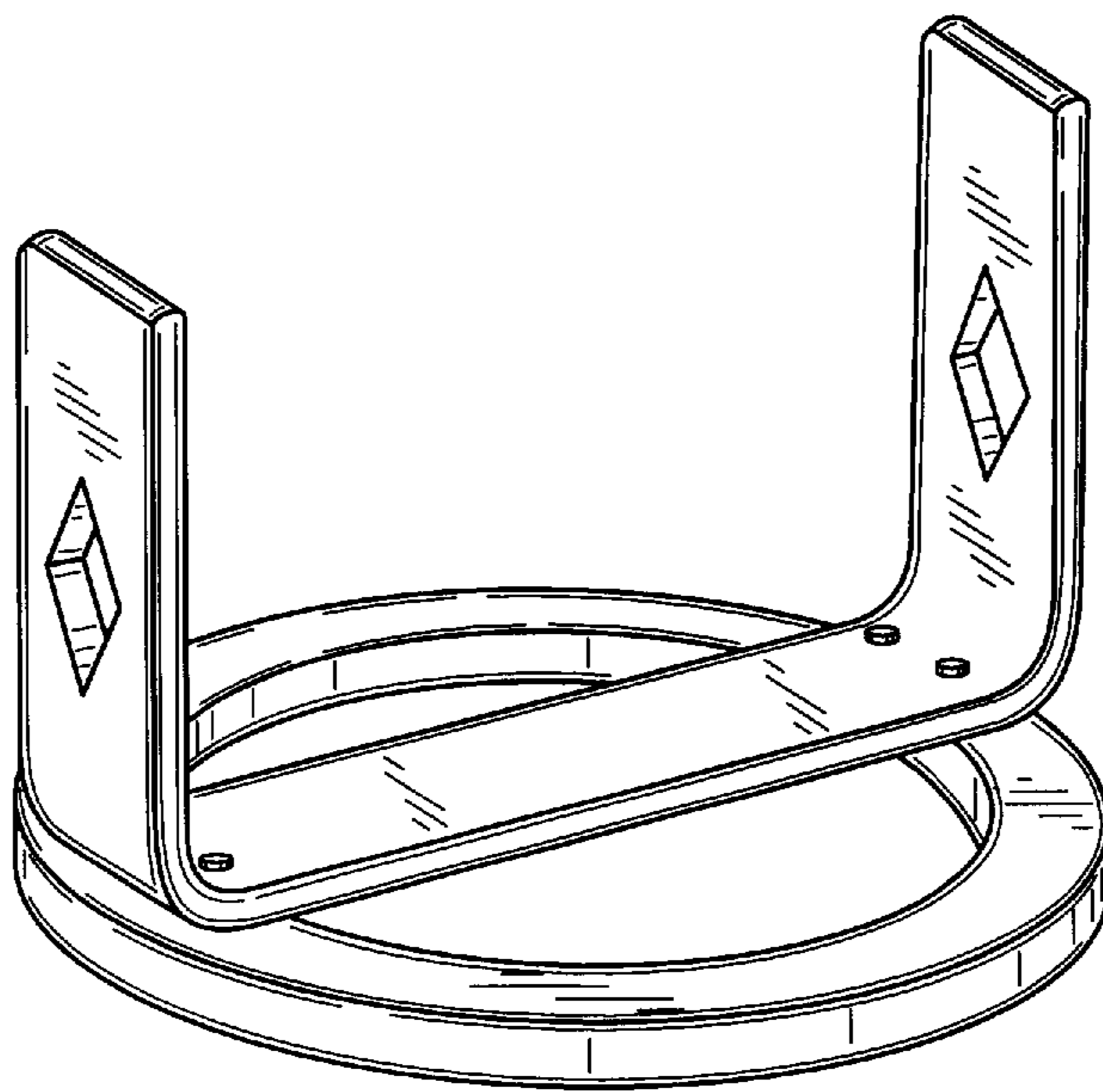


FIG. 6

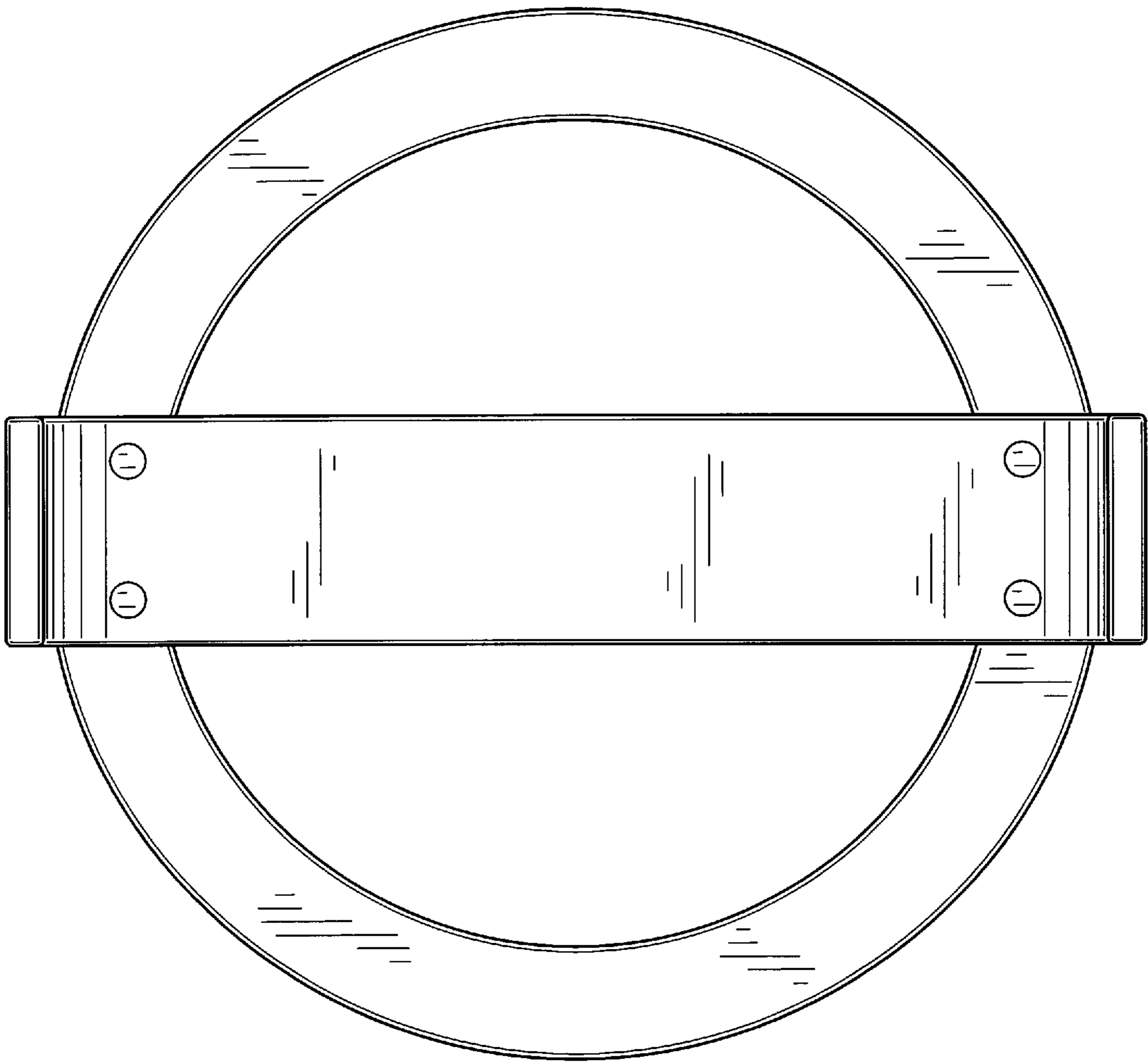


FIG. 7

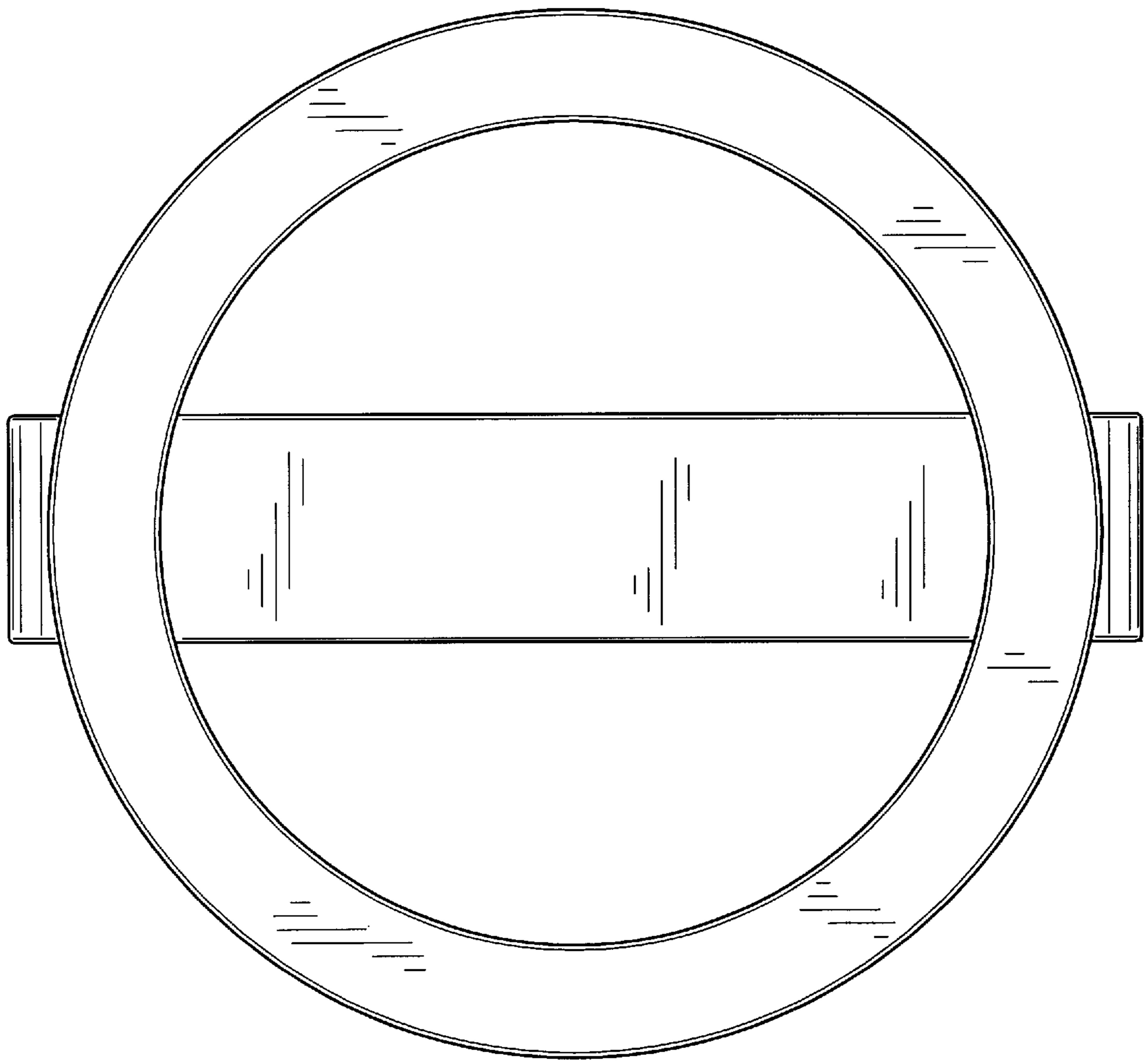


FIG. 8

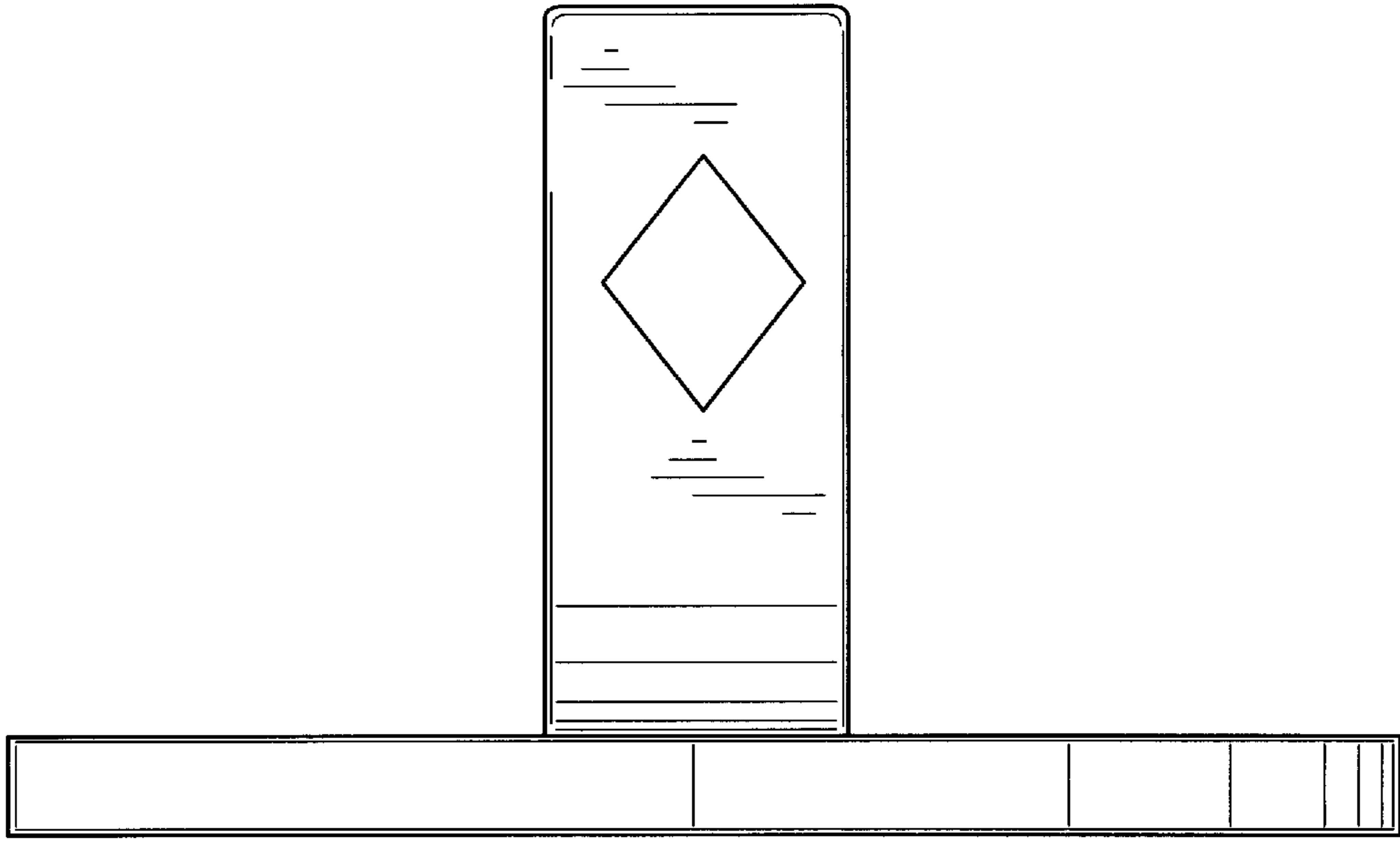


FIG. 9

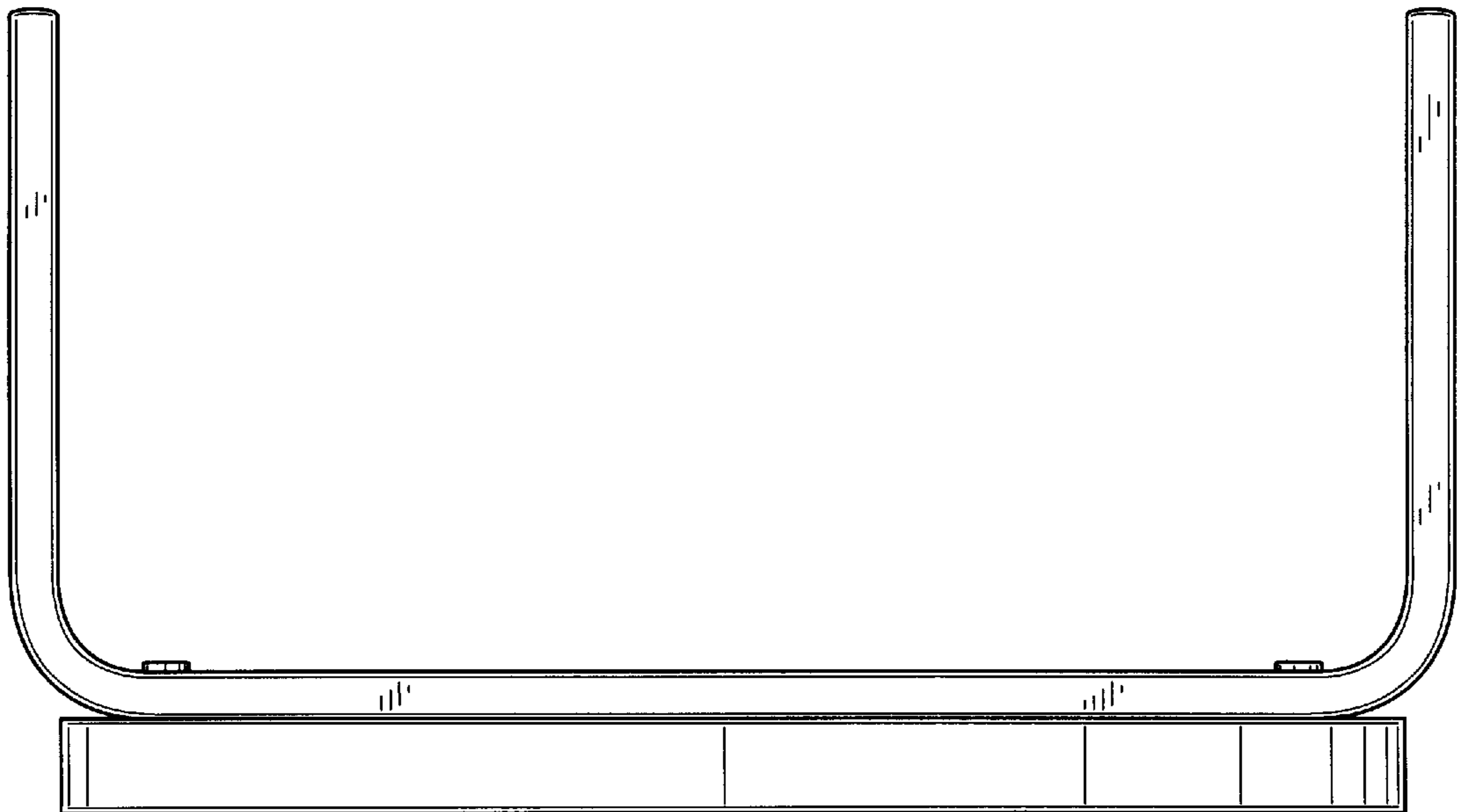


FIG. 10