



US00D406969S

United States Patent [19]

Lewis

[11] **Patent Number: Des. 406,969**

[45] **Date of Patent: **Mar. 23, 1999**

[54] **TABLE**

[76] **Inventor: Sally Sirkin Lewis, 715 N. Canon Dr., Beverly Hills, Calif. 90210**

[**] **Term: 14 Years**

[21] **Appl. No.: 85,762**

[22] **Filed: Mar. 30, 1998**

[51] **LOC (6) Cl. 06-03**

[52] **U.S. Cl. D6/484; D6/485; D6/349**

[58] **Field of Search D6/480-489, 495, D6/349, 355; 108/153.1, 152, 156, 157.1, 161; 248/188, 188.1; 297/461, 462**

[56] **References Cited**

U.S. PATENT DOCUMENTS

- D. 240,184 6/1976 Neuschaefer D6/485
- D. 270,217 8/1983 Daventry D6/480

- D. 273,252 4/1984 Markson D6/353
- D. 330,644 11/1992 Bellini et al. D6/422
- D. 347,945 6/1994 Walters-Leiter D6/353

Primary Examiner—Janice E. Seeger
Attorney, Agent, or Firm—Blakely, Sokoloff, Taylor & Zafman

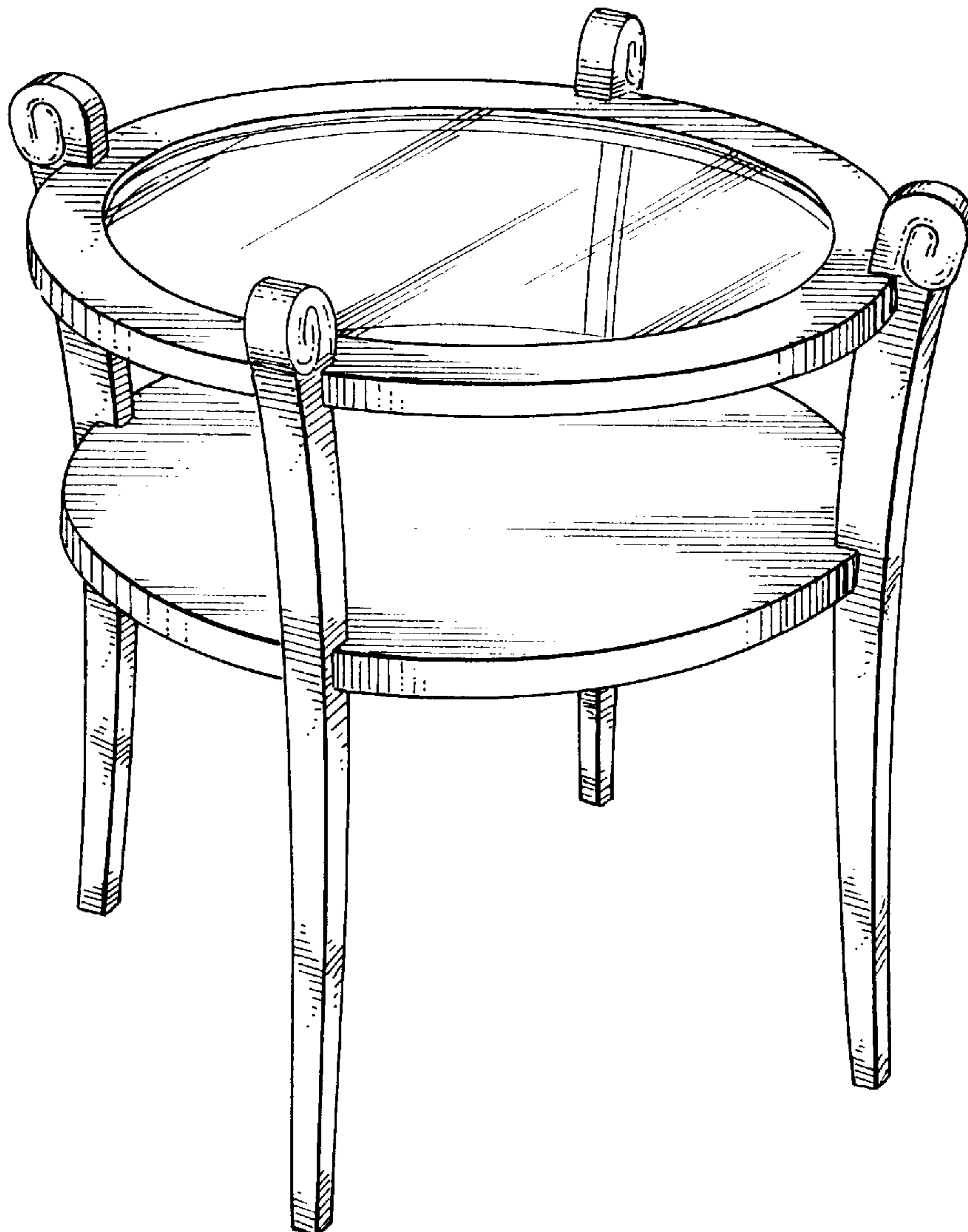
[57] **CLAIM**

The ornamental design for a table, as shown and described.

DESCRIPTION

FIG. 1 is a top, side and front perspective view of the table; FIG. 2 is a top plan view of the table; FIG. 3 is a bottom plan view of the table; and, FIG. 4 is a left side elevational view of the table (the right side elevational view is a mirror image of this view and is not shown).

1 Claim, 2 Drawing Sheets



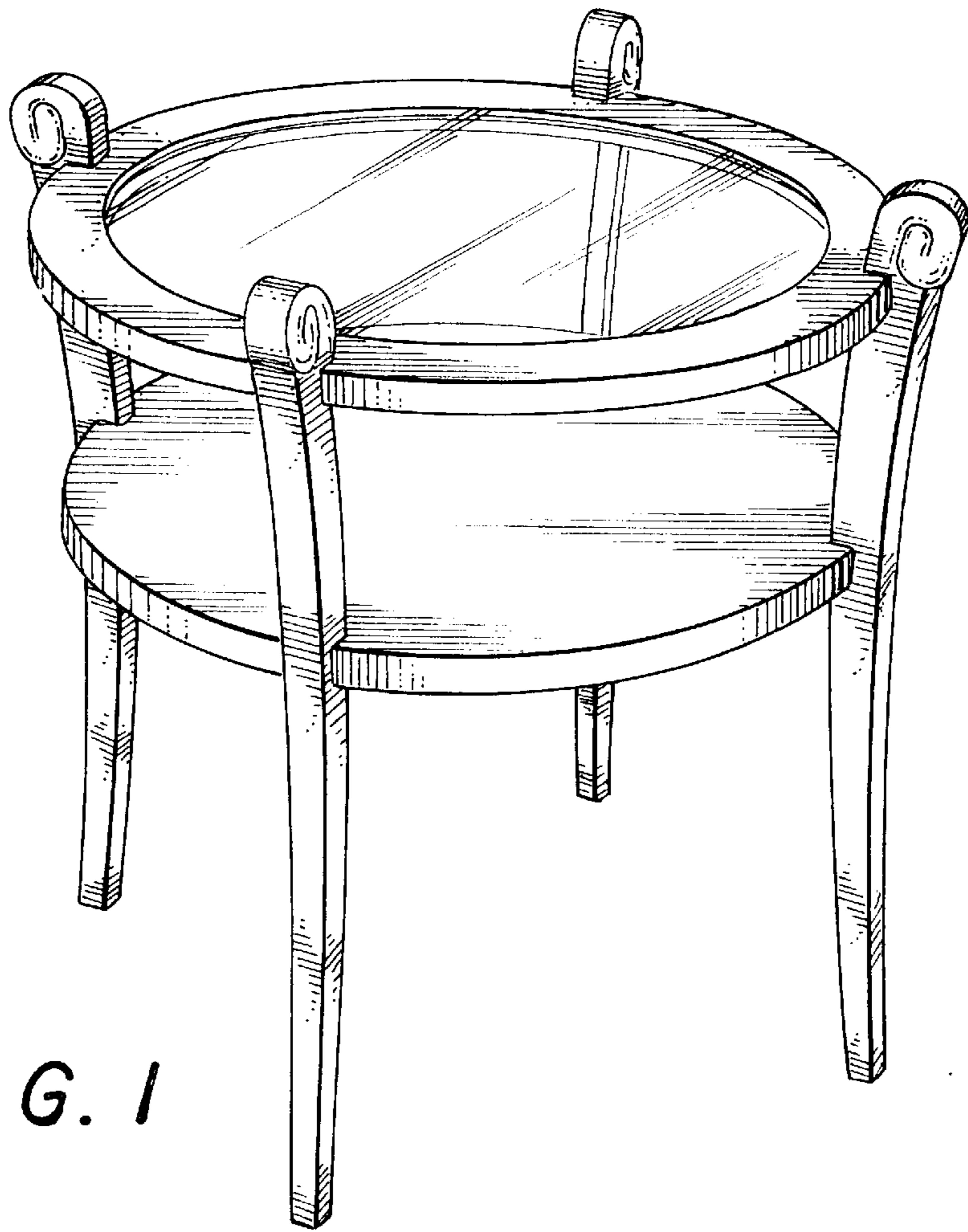


FIG. 1

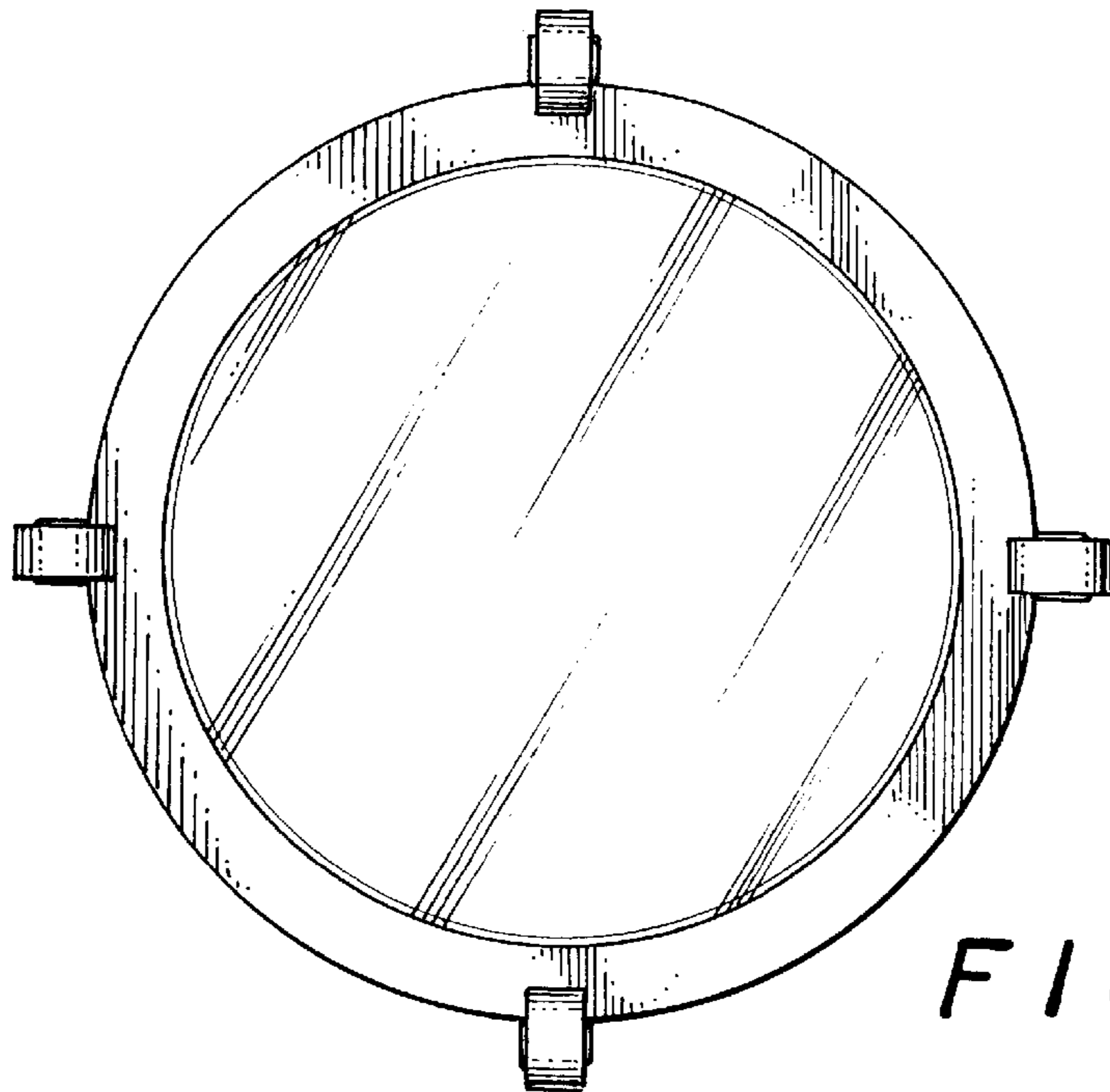


FIG. 2

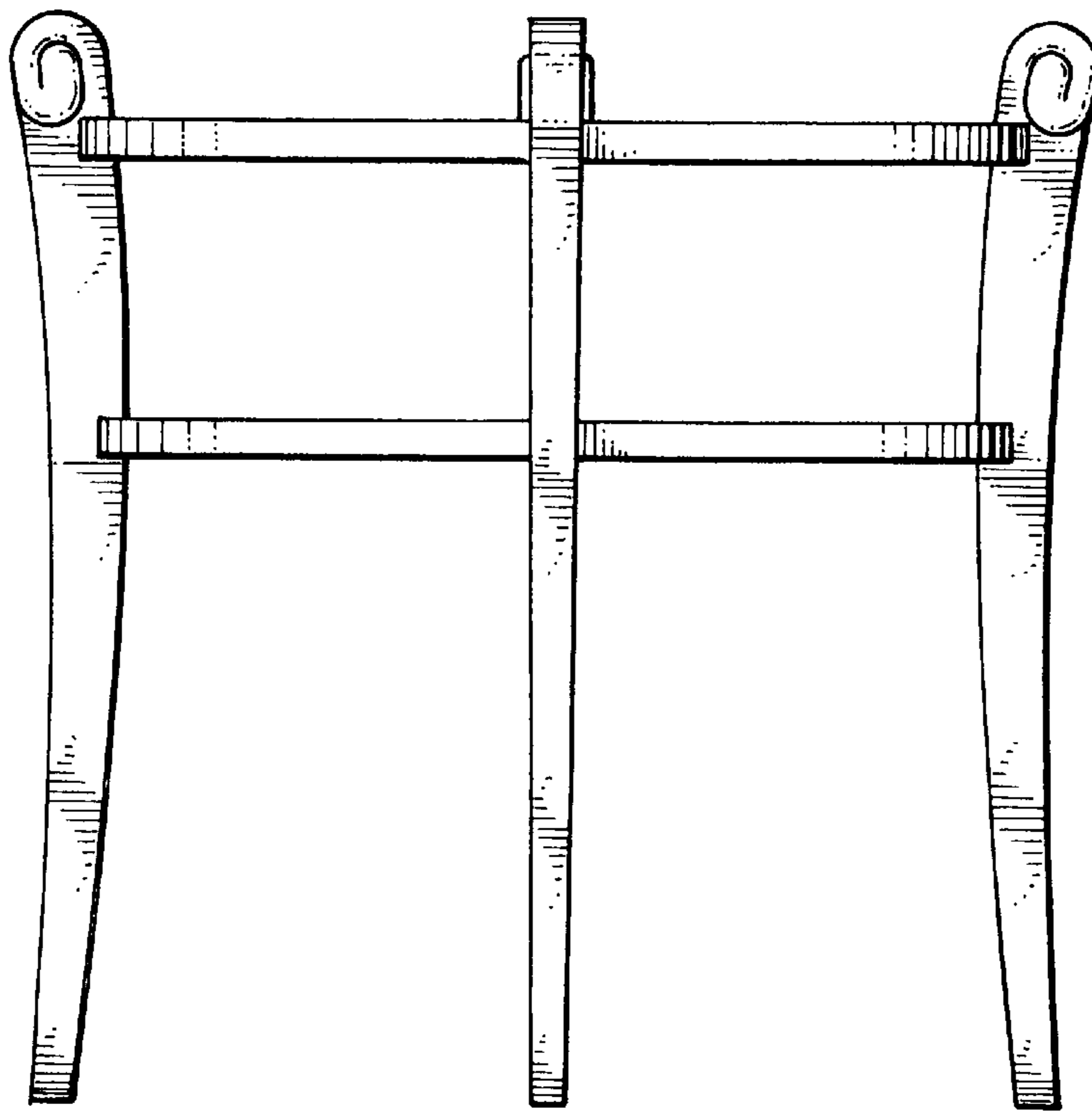


FIG. 3

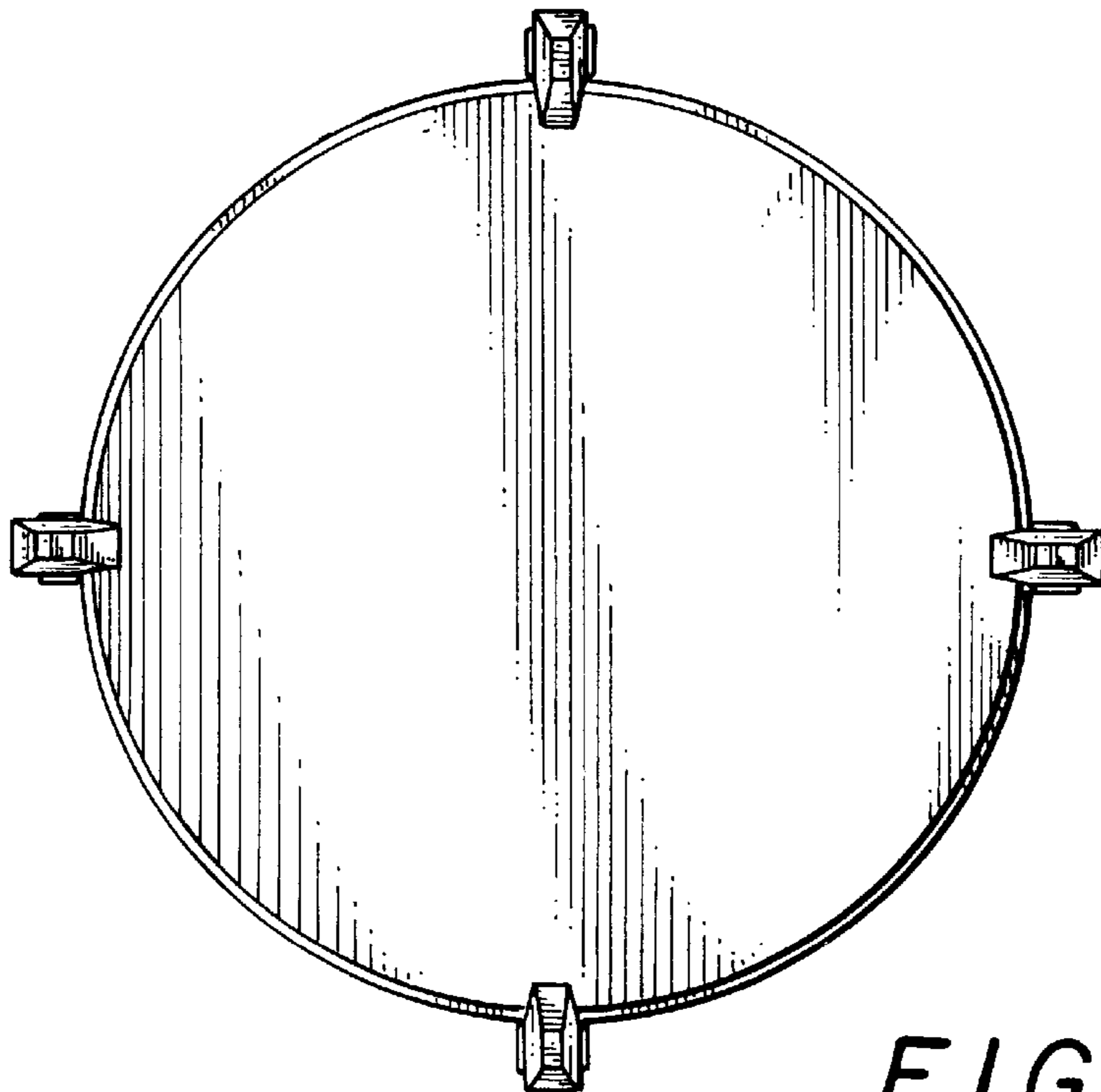


FIG. 4

UNITED STATES PATENT AND TRADEMARK OFFICE
CERTIFICATE OF CORRECTION

PATENT NO. : Des. 406,969

DATED : March 23, 1999

Page 1 of 4

INVENTOR(S) : Lewis

It is certified that error appears in the above-identified patent and that said Letters Patent is hereby corrected as shown below:

The title page, should be deleted to be replaced with the attached title page.

The Drawing Sheets, consisting of Figs. 1-4, should be deleted to be replaced with the Drawing Sheets, consisting of Figs. 1-4, as shown on the attached page.

Signed and Sealed this
Twentieth Day of June, 2000

Attest:



Q. TODD DICKINSON

Attesting Officer

Director of Patents and Trademarks

United States Patent [19]
Lewis

[11] **Patent Number: Des. 406,969**

[45] **Date of Patent: **Mar. 23, 1999**

[54] **TABLE**

[76] **Inventor: Sally Sirkin Lewis, 715 N. Canon Dr., Beverly Hills, Calif. 90210**

[**] **Term: 14 Years**

[21] **Appl. No.: 85,762**

[22] **Filed: Mar. 30, 1998**

[51] **LOC (6) Cl. 06-03**

[52] **U.S. Cl. D6/484; D6/485; D6/349**

[58] **Field of Search D6/480-489, 495, D6/349, 355; 108/153.1, 152, 156, 157.1, 161; 248/188, 188.1; 297/461, 462**

[56] **References Cited**

U.S. PATENT DOCUMENTS

D. 240,184 6/1976 Neuschaefer D6/485
D. 270,217 8/1983 Daventry D6/480

D. 273,252 4/1984 Markson D6/353
D. 330,644 11/1992 Bellini et al. D6/422
D. 347,945 6/1994 Walters-Leiter D6/353

Primary Examiner—Janice E. Seeger
Attorney, Agent, or Firm—Blakely, Sokoloff, Taylor & Zafman

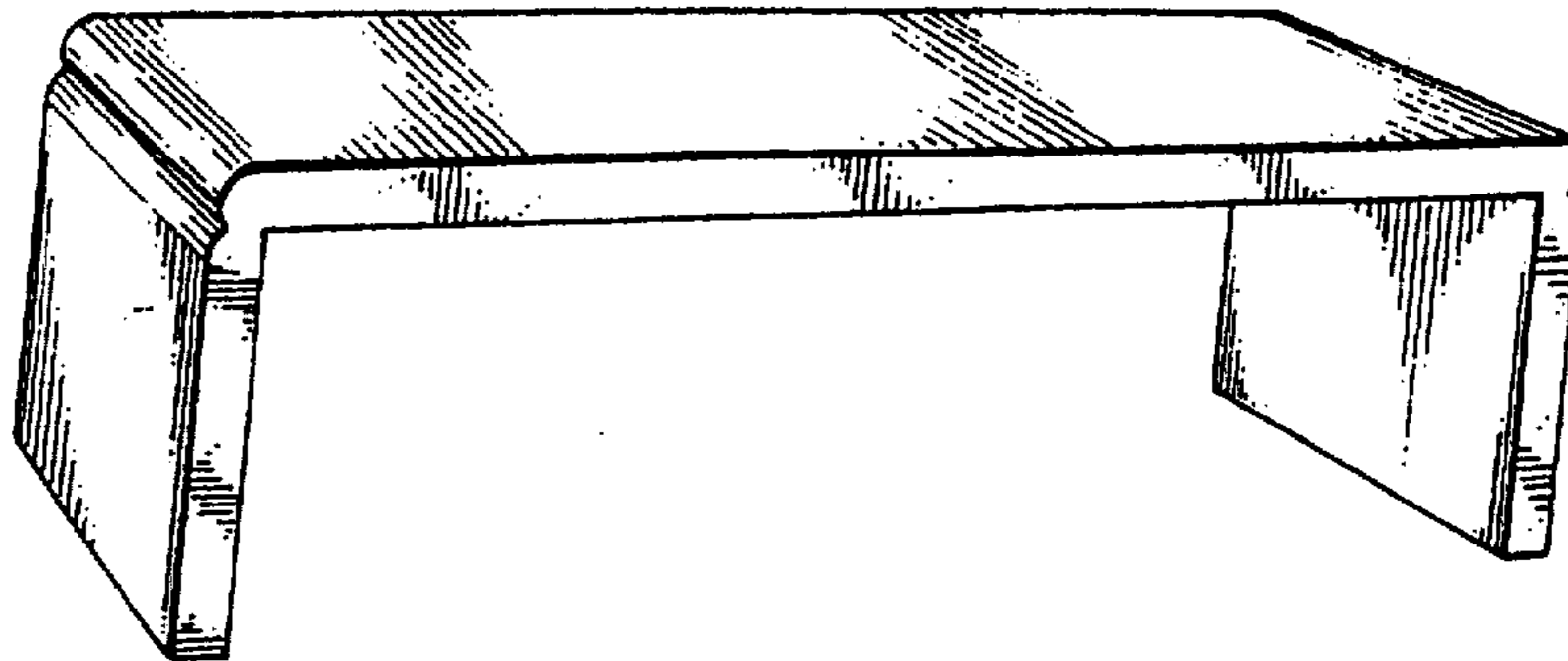
[57] **CLAIM**

The ornamental design for a table, as shown and described.

DESCRIPTION

FIG. 1 is a top, side and front perspective view of the table; FIG. 2 is a top plan view of the table; FIG. 3 is a bottom plan view of the table; and, FIG. 4 is a left side elevational view of the table (the right side elevational view is a mirror image of this view and is not shown).

1 Claim, 2 Drawing Sheets



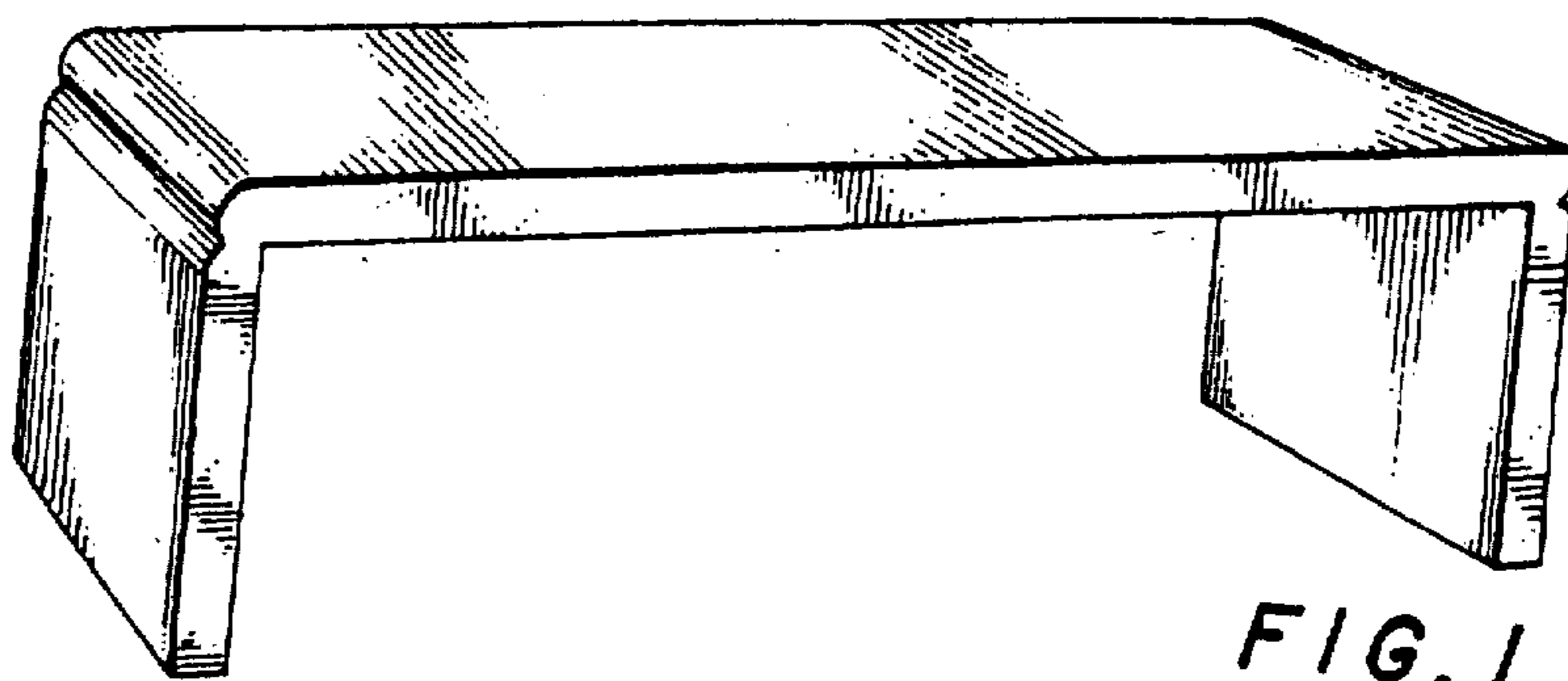
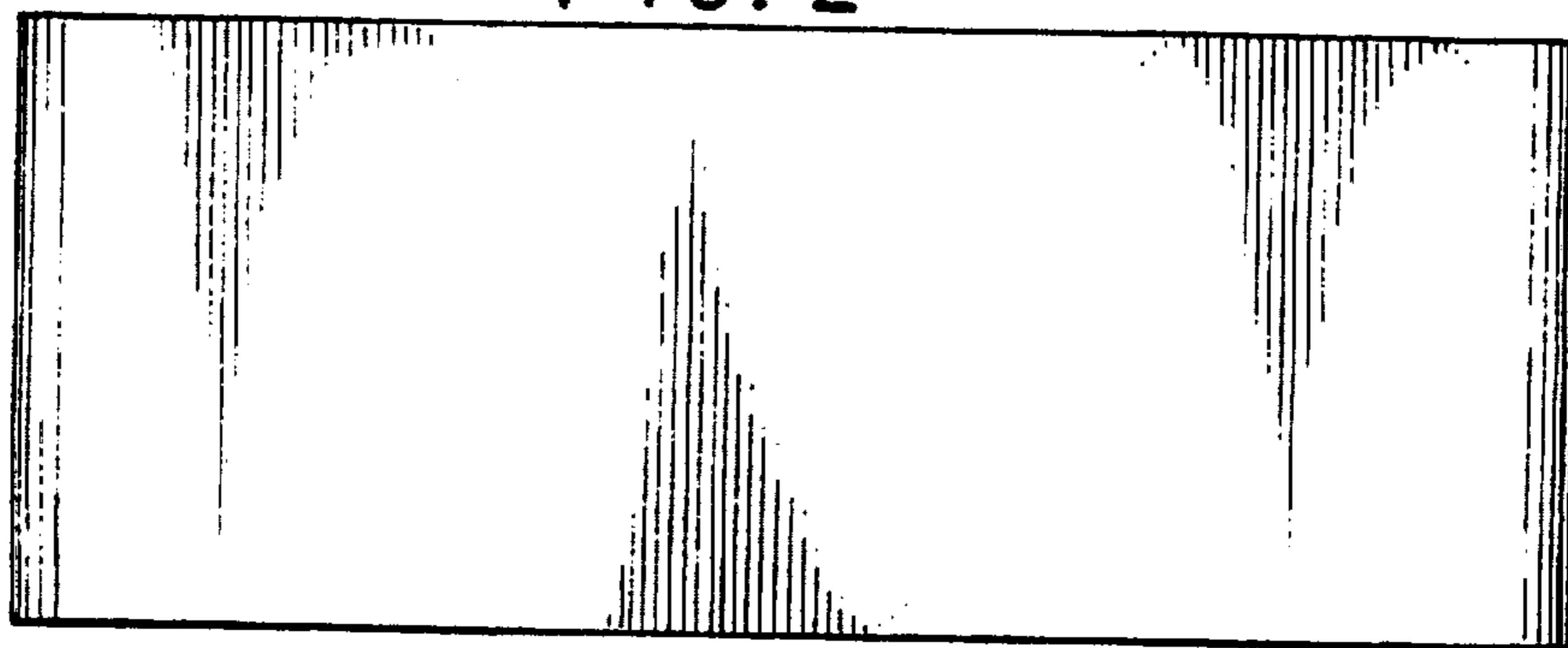


FIG. 1

FIG. 2



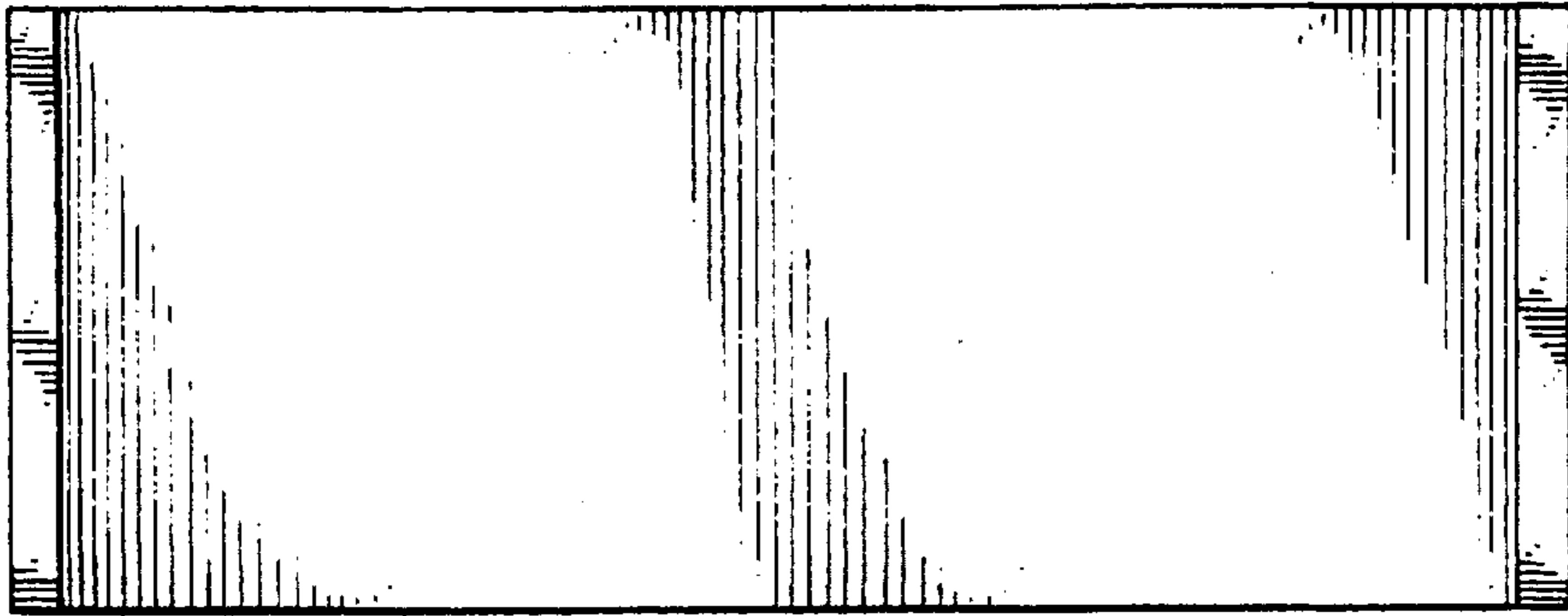


FIG. 3

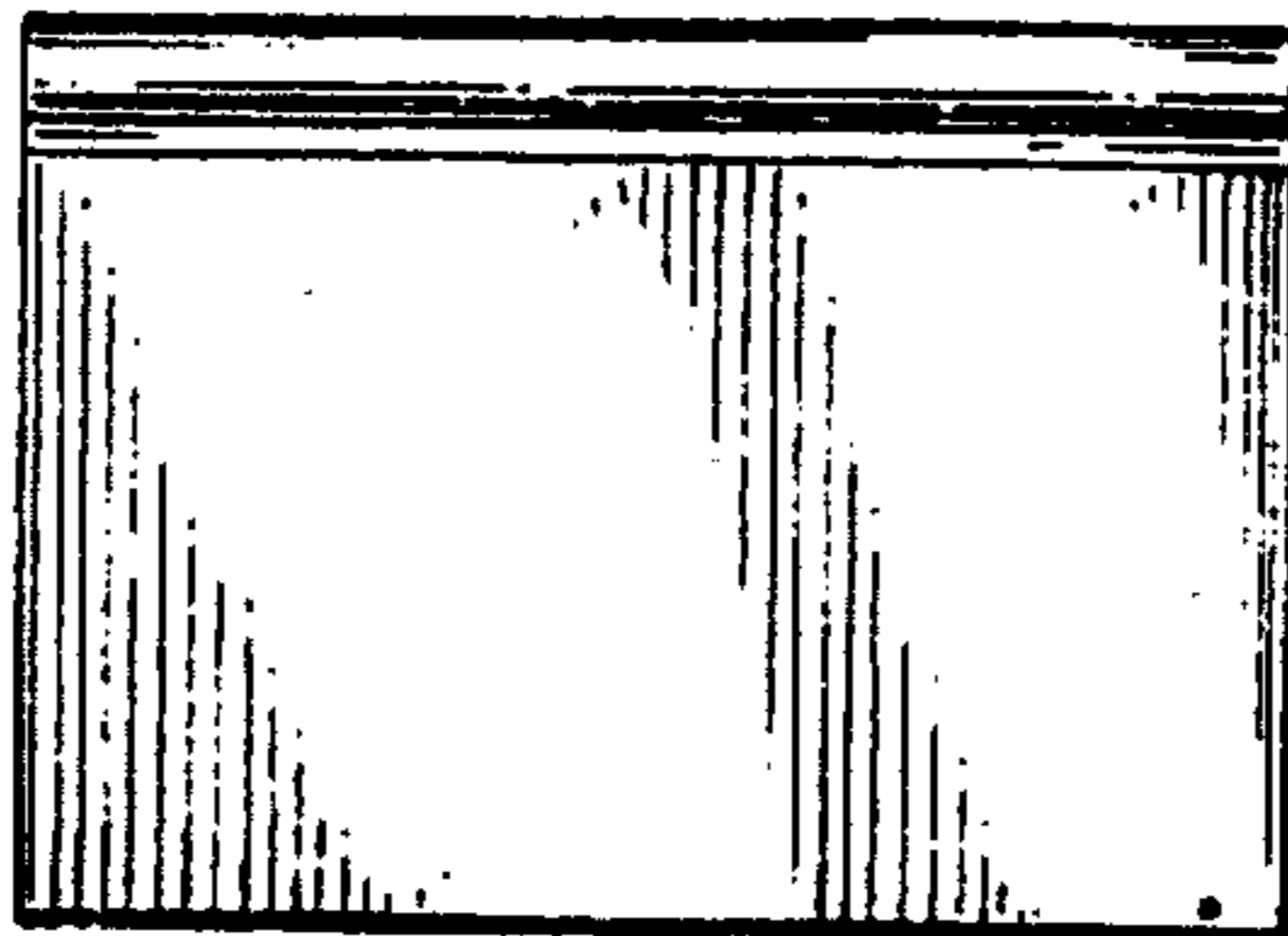


FIG. 4