



US00D406968S

United States Patent [19]
Tseng

[11] **Patent Number: Des. 406,968**

[45] **Date of Patent: **Mar. 23, 1999**

[54] **TABLE**

[75] Inventor: **Chuen-Jong Tseng**, Chiayi Hsien,
Taiwan

[73] Assignee: **Shin Yen Enterprise Co., Ltd.**, Taiwan

[**] Term: **14 Years**

[21] Appl. No.: **86,654**

[22] Filed: **Apr. 16, 1998**

[51] **LOC (6) Cl.** **06-03**

[52] **U.S. Cl.** **D6/482; D6/464; D6/487**

[58] **Field of Search** D6/480-489, 495-497,
D6/499, 429, 430, 422, 423, 477, 464;
108/153, 153.1, 156, 157.1, 157.18, 161;
248/188, 188.1, 188.8

[56] **References Cited**

U.S. PATENT DOCUMENTS

- D. 111,581 10/1938 Frey D6/480
- D. 234,655 4/1975 Stiene D6/483

D. 375,852 11/1996 Keller D6/477

OTHER PUBLICATIONS

Salterini, May 16, 1949, p. 30, table at bottom right corner.

Primary Examiner—Janice E. Seeger
Attorney, Agent, or Firm—Skjerven, Morrill, MacPherson,
Franklin & Friel LLP; Thomas S. MacDonald

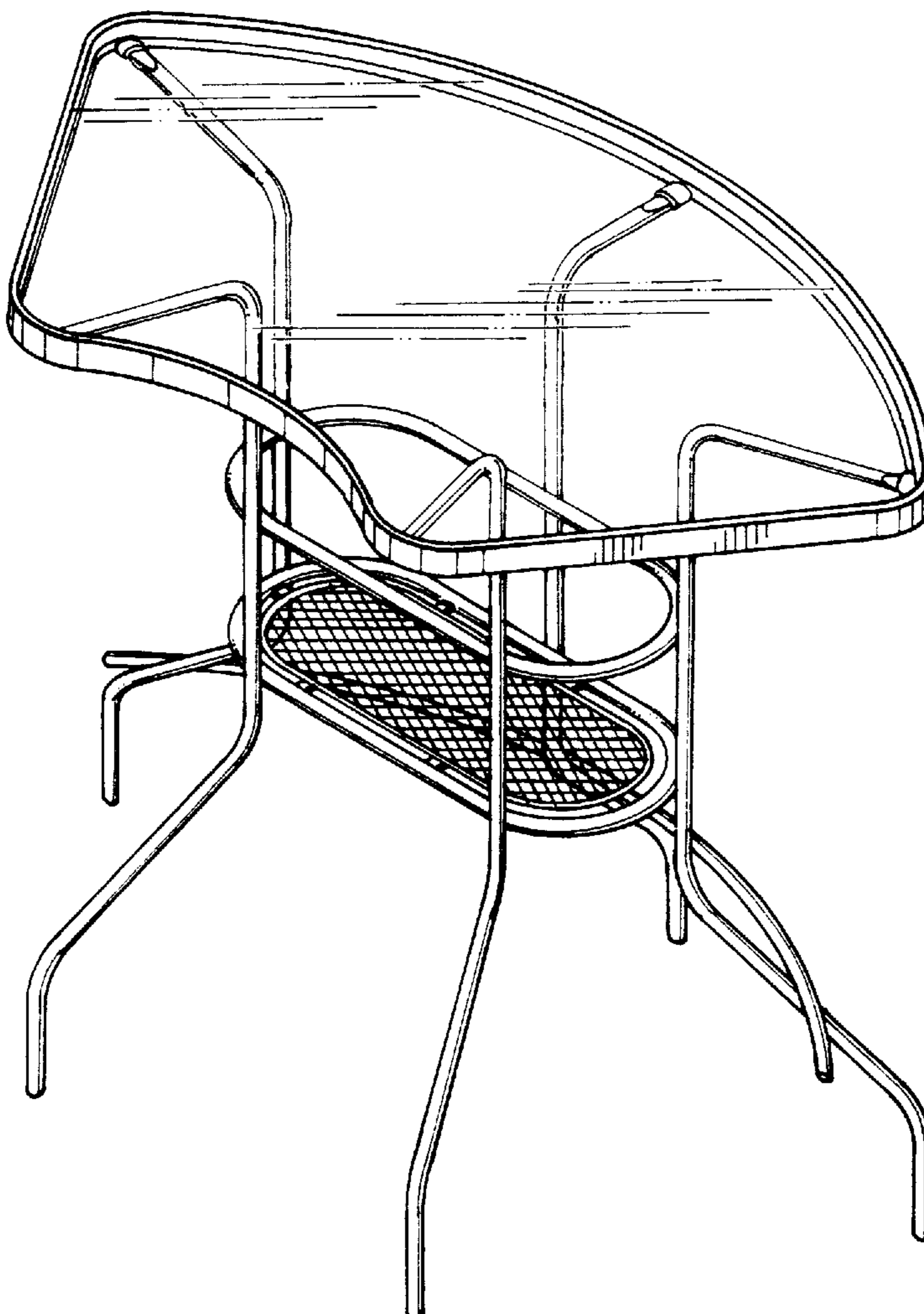
[57] **CLAIM**

The ornamental design for table, as shown and described.

DESCRIPTION

FIG. 1 is a perspective view of table showing my new design;
FIG. 2 is a front elevational view thereof;
FIG. 3 is a rear elevational view thereof;
FIG. 4 is a left side elevational view thereof;
FIG. 5 is a right side elevational view thereof;
FIG. 6 is a top plan view thereof; and,
FIG. 7 is a bottom plan view thereof.

1 Claim, 4 Drawing Sheets



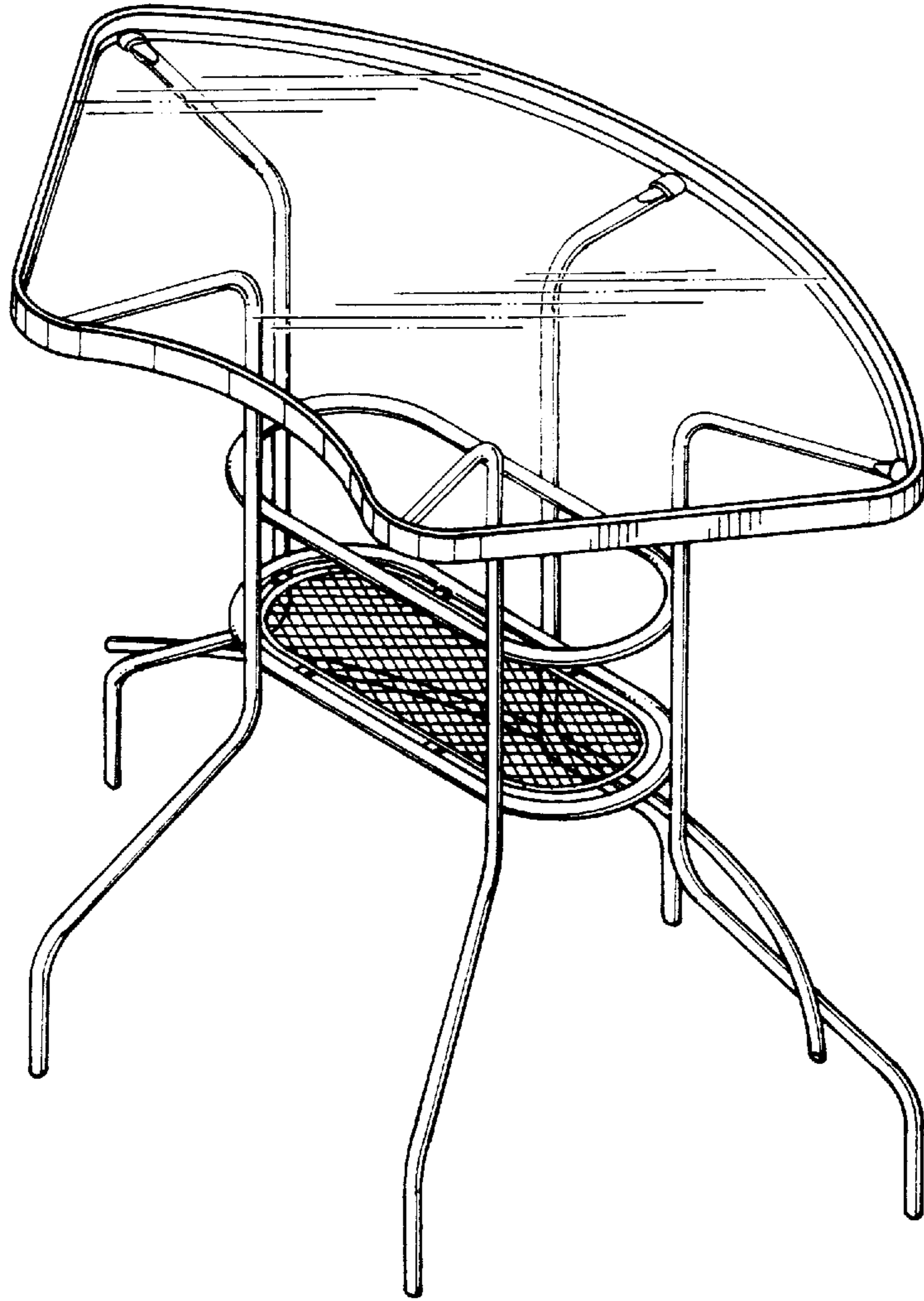


FIG. 1

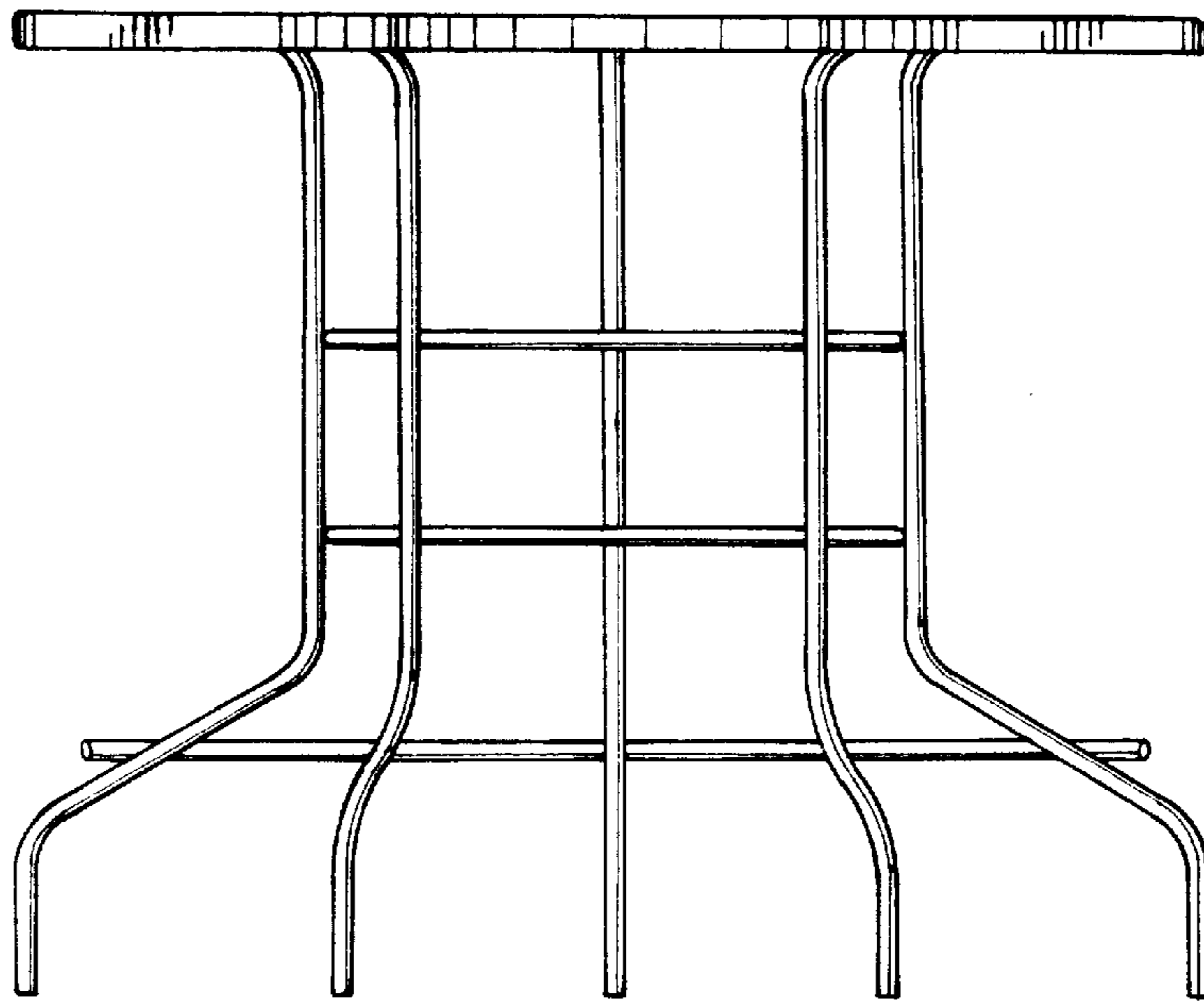


FIG. 2

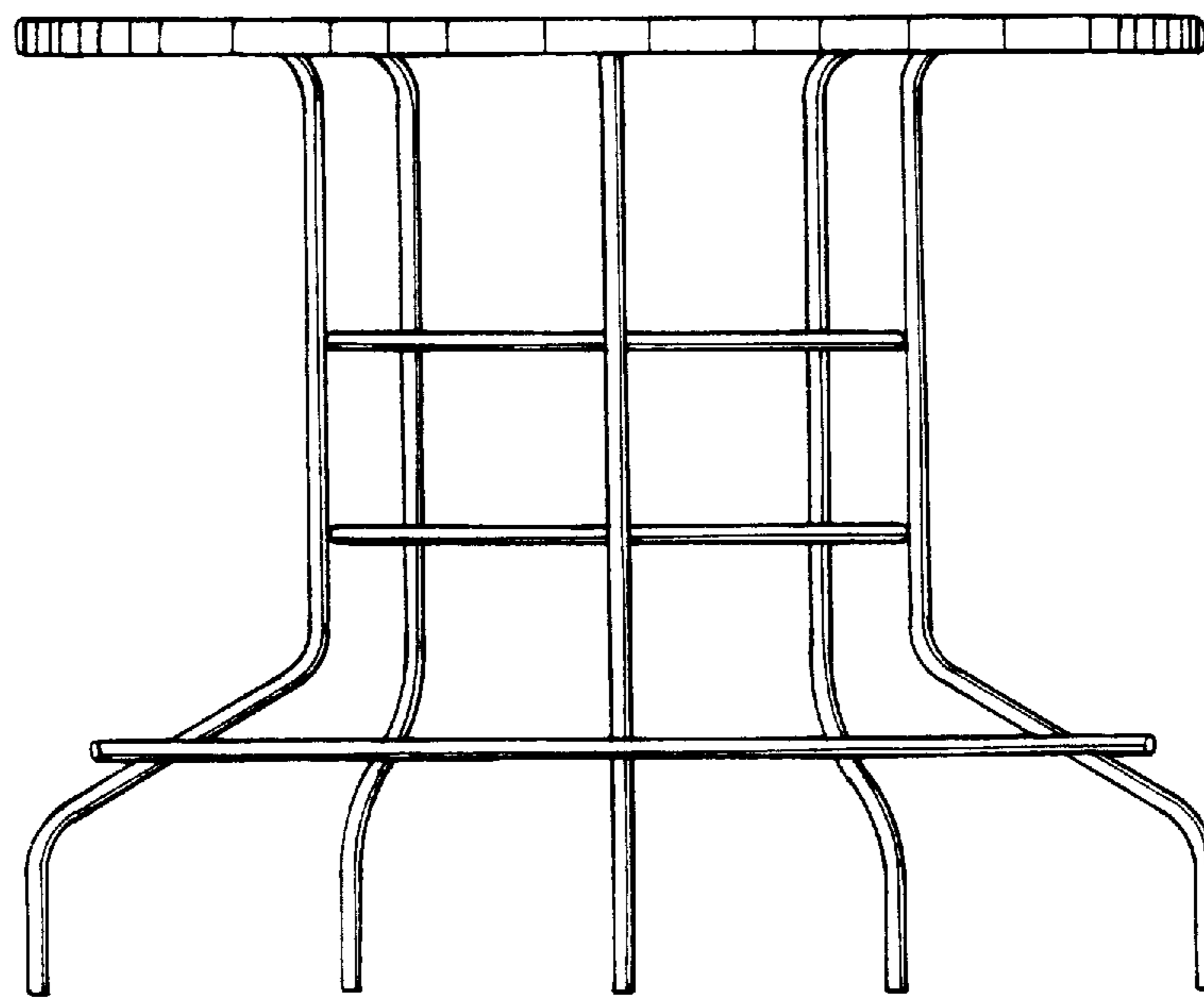


FIG. 3

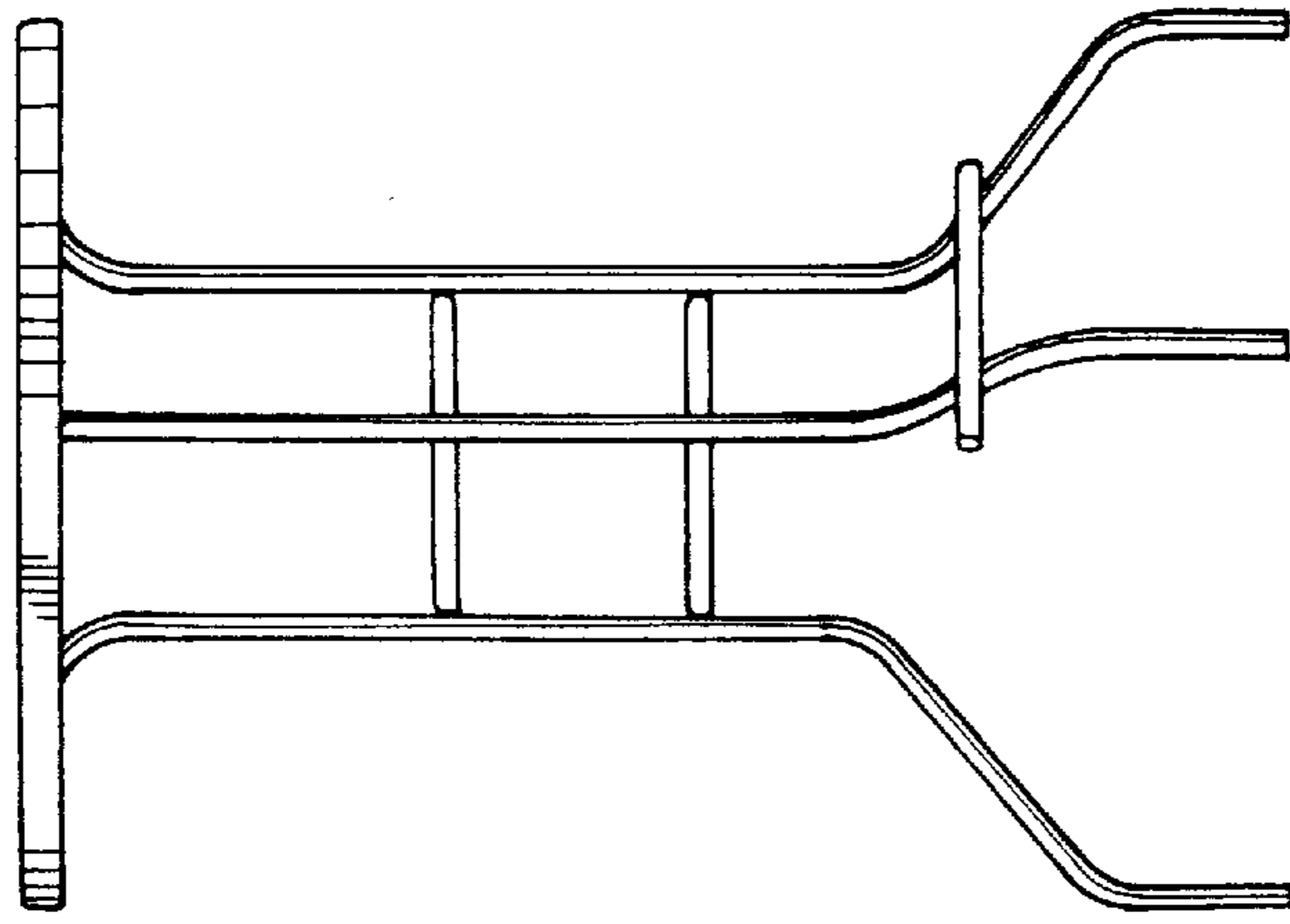


FIG. 5

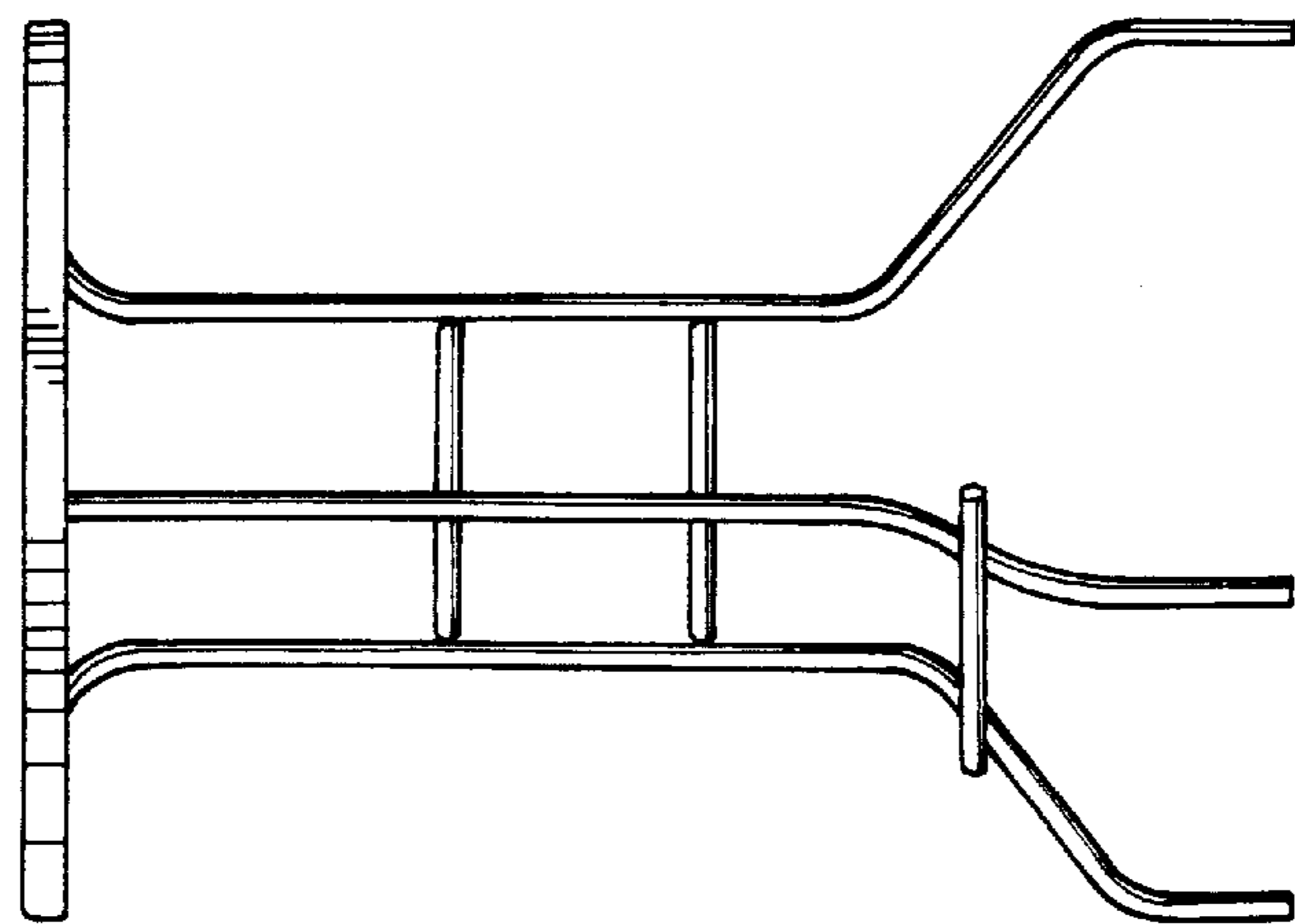


FIG. 4

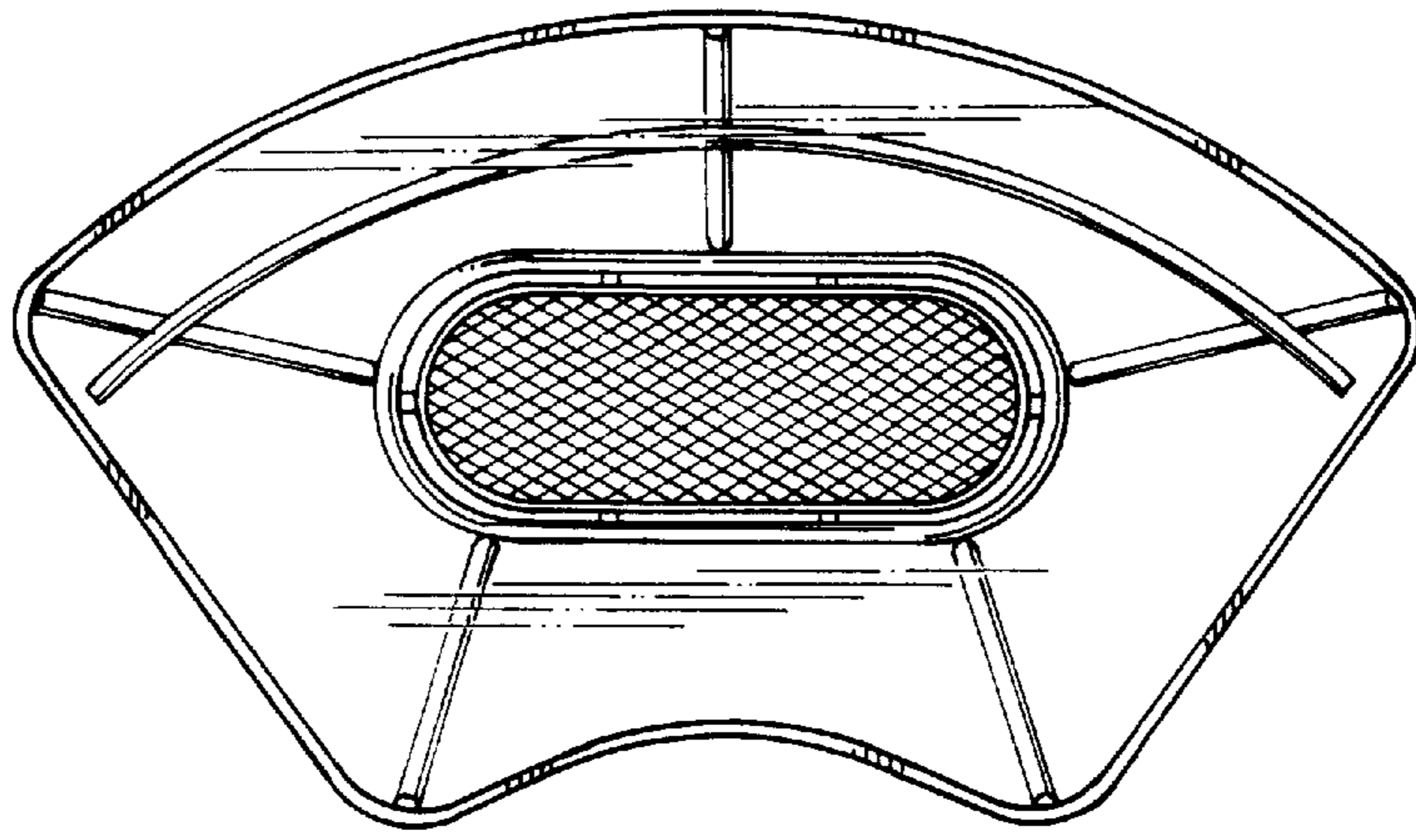


FIG. 6

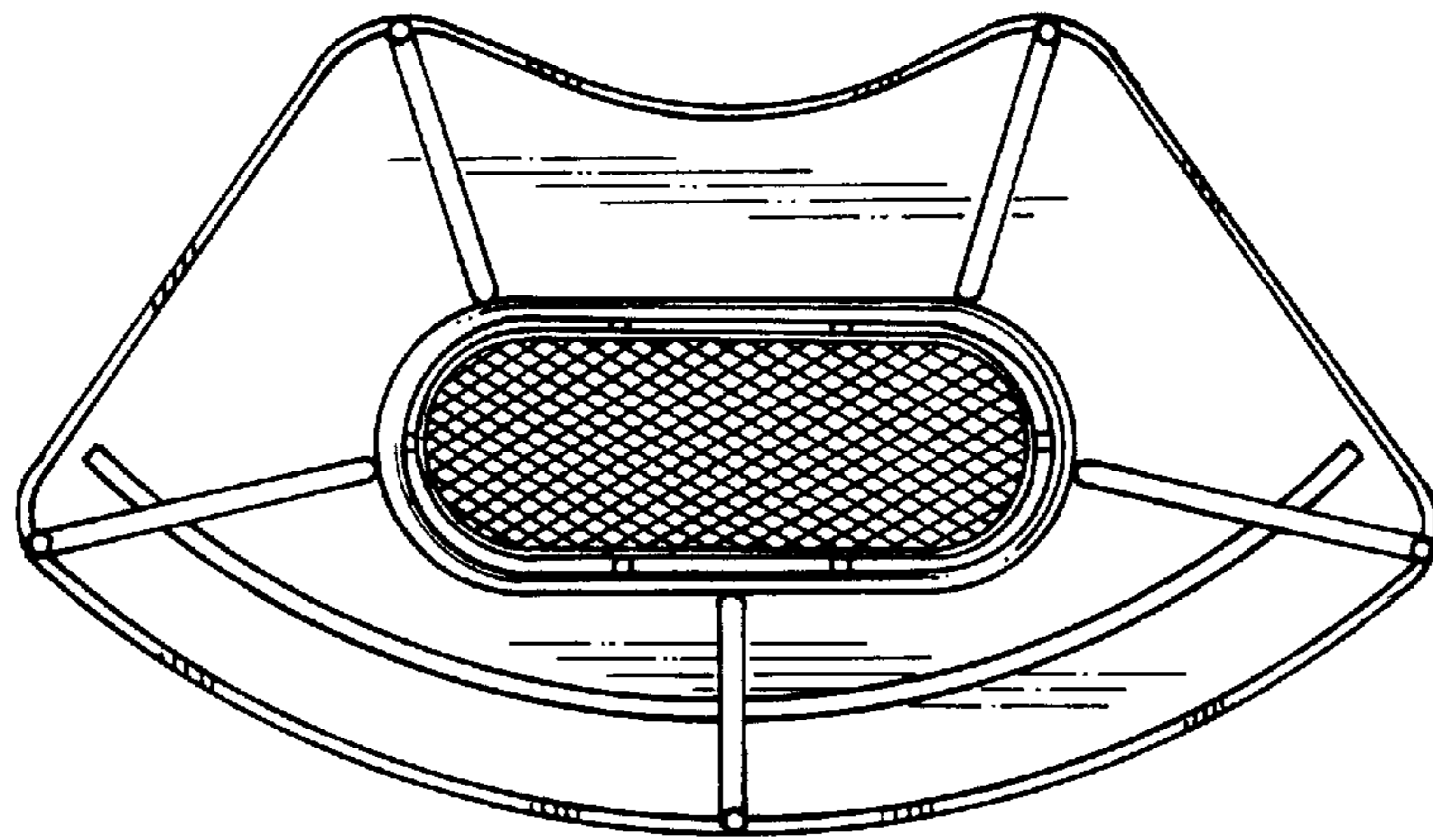


FIG. 7