



US00D406967S

# United States Patent [19]

Guerra et al.

[11] **Patent Number: Des. 406,967**

[45] **Date of Patent: \*\*Mar. 23, 1999**

[54] **TABLE**

[75] Inventors: **Anna Leila Guerra**, Padua; **Arnaldo Gamba**, Verona, both of Italy

[73] Assignee: **NAOS S.R.L.**, Florence, Italy

[\*\*] Term: **14 Years**

[21] Appl. No.: **85,410**

[22] Filed: **Mar. 23, 1998**

[30] **Foreign Application Priority Data**

Sep. 24, 1997 [IT] Italy ..... FI9700069

[51] **LOC (6) Cl.** ..... **06-03**

[52] **U.S. Cl.** ..... **D6/482; D6/429**

[58] **Field of Search** ..... D6/480-489, 495-497, D6/499, 429, 430, 477, 464; 108/152, 153.1, 156, 157.1, 157.18, 161, 63-67, 94; 248/188, 188.1, 188.8

[56] **References Cited**

**U.S. PATENT DOCUMENTS**

- D. 273,638 5/1984 Keiser ..... D6/483
- D. 284,336 6/1986 Berry, Jr. .... D6/430

- D. 286,598 11/1986 Berry, Jr. .... D6/511
- D. 287,796 1/1987 Evans ..... D6/483
- D. 355,799 2/1995 D'Urbino et al. .... D6/482

**OTHER PUBLICATIONS**

Carson's, #80225 table.  
Selig, #612-08D.

*Primary Examiner*—Janice E. Seeger  
*Attorney, Agent, or Firm*—McGlew and Tuttle

[57] **CLAIM**

The ornamental design for a table, as shown and described.

**DESCRIPTION**

FIG. 1 is a front elevational view of a table, showing our new design; the rear being a mirror image thereof; FIG. 2 is a top plan view thereof; FIG. 3 is a side elevational view, the opposite side being a mirror image thereof; FIG. 4 is a front elevational view, showing the top in alternate position; FIG. 5 is a top plan view thereof; and, FIG. 6 is perspective view thereof.

**1 Claim, 3 Drawing Sheets**

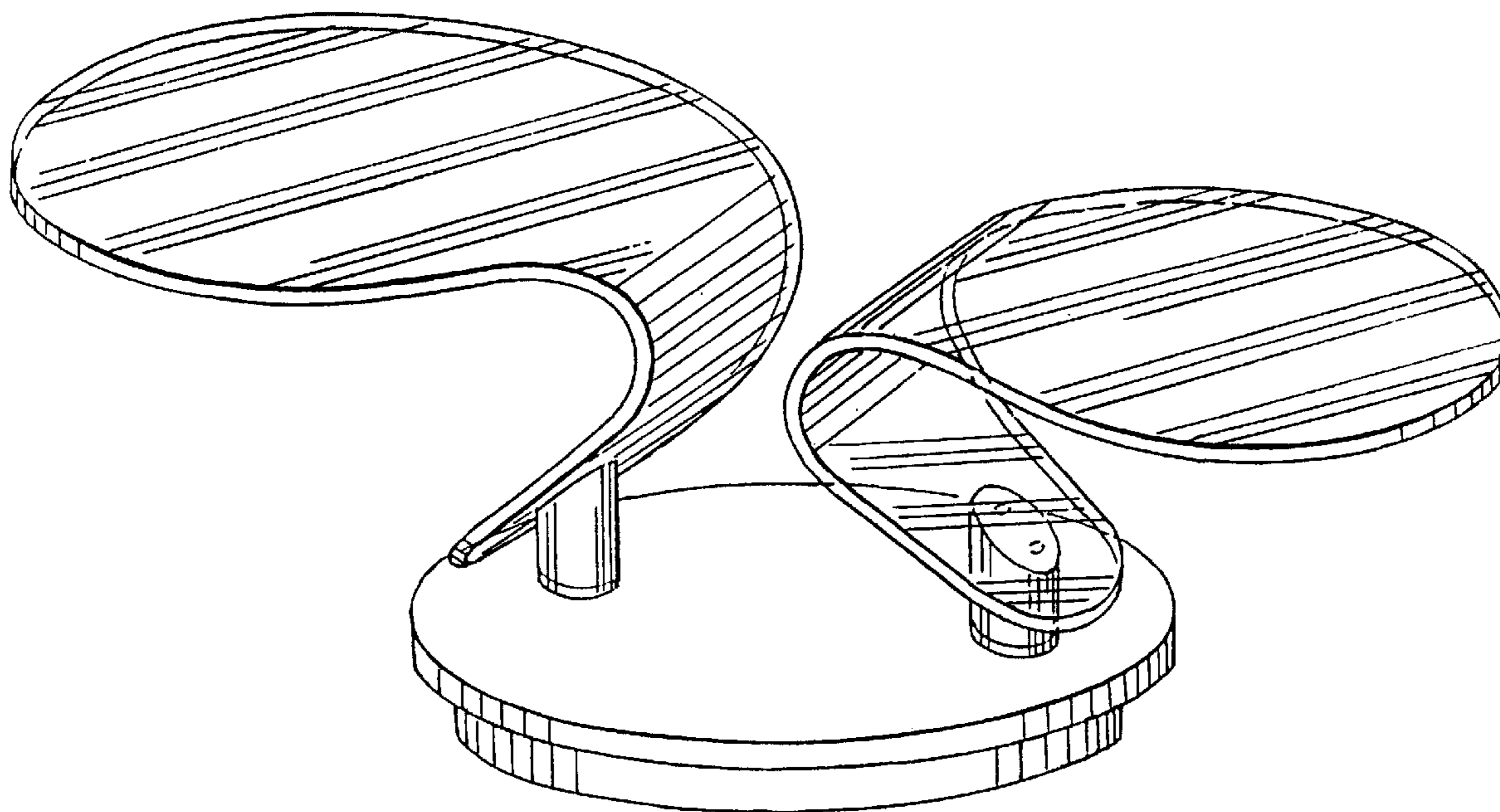


FIG. 1

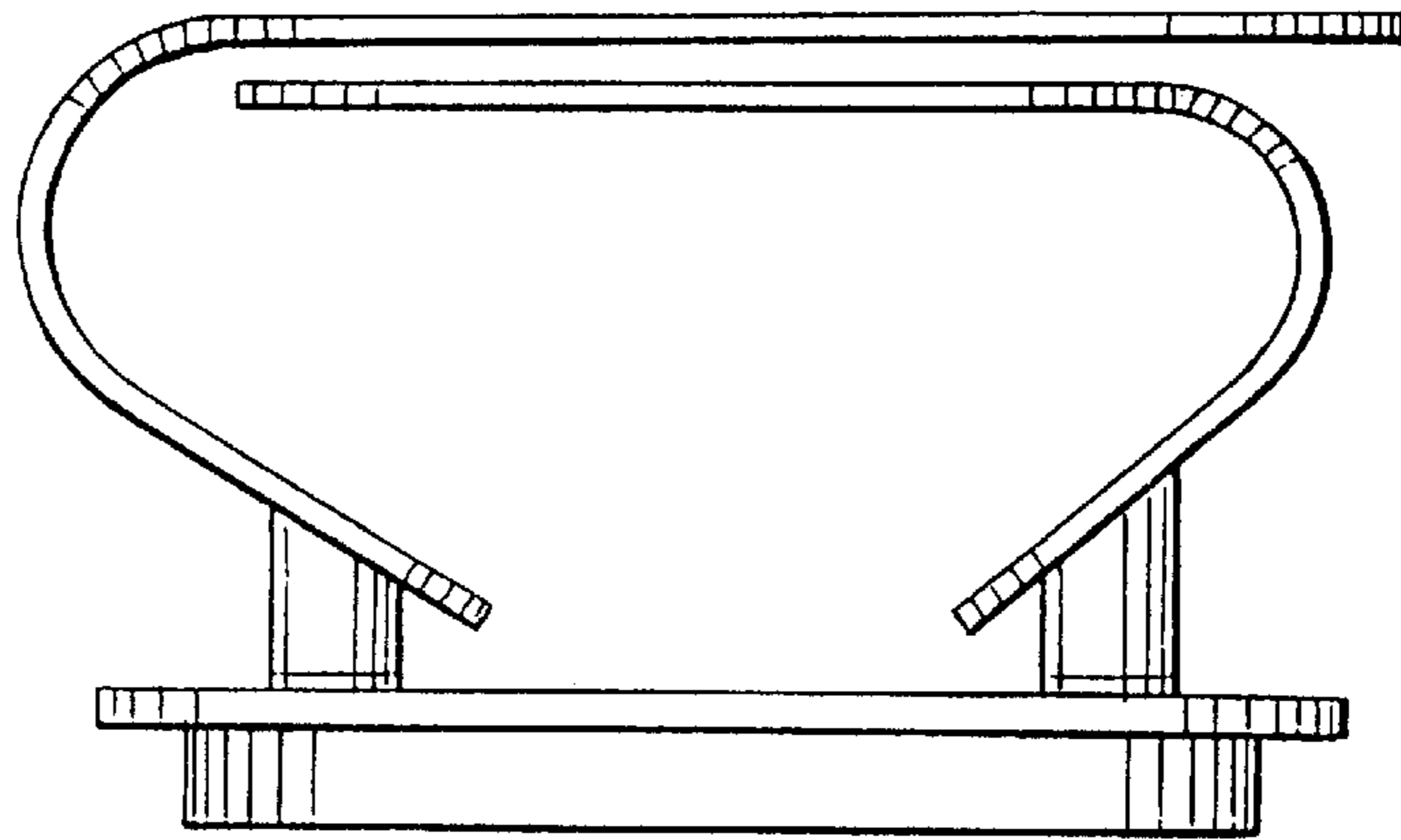


FIG. 2

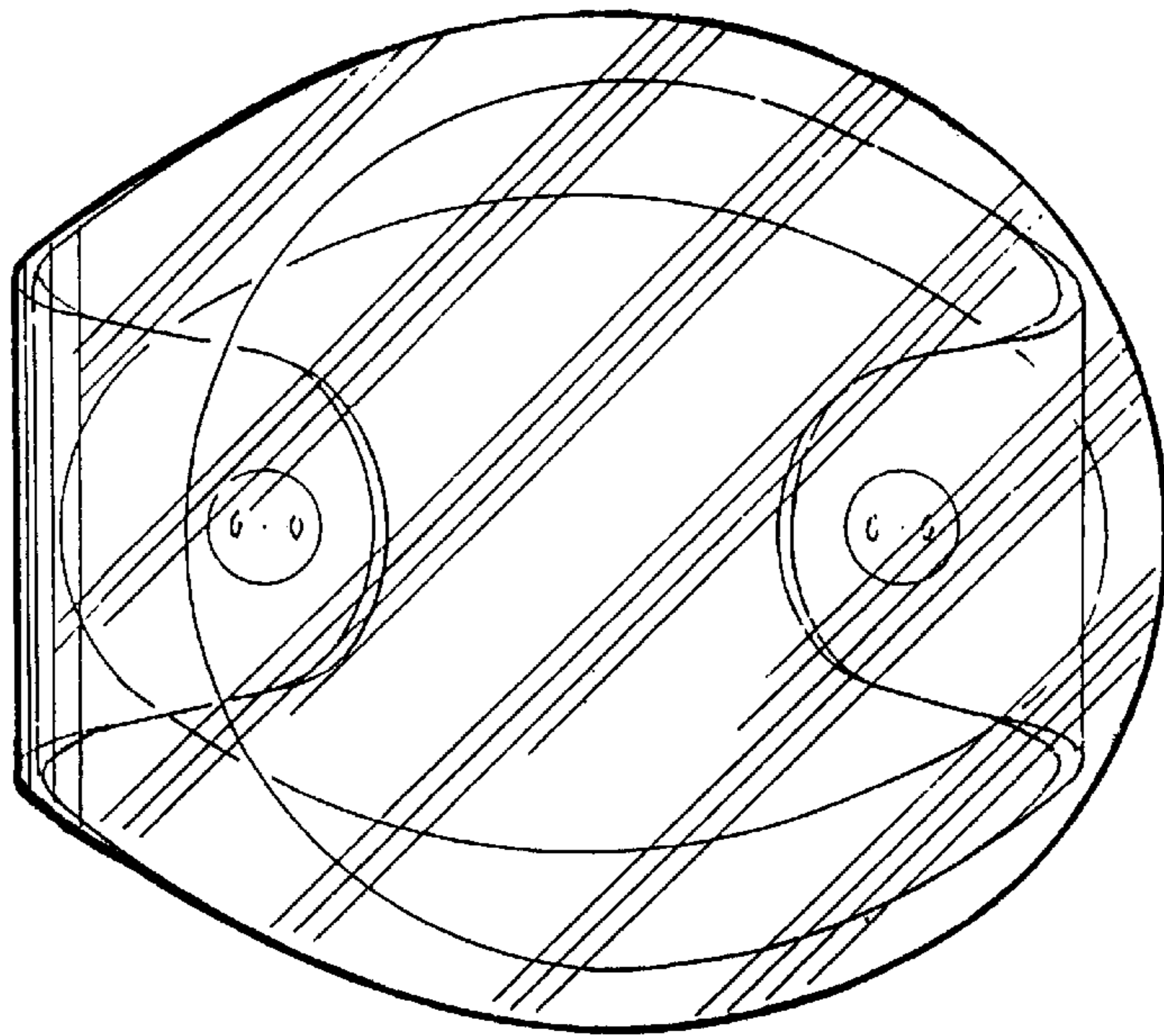
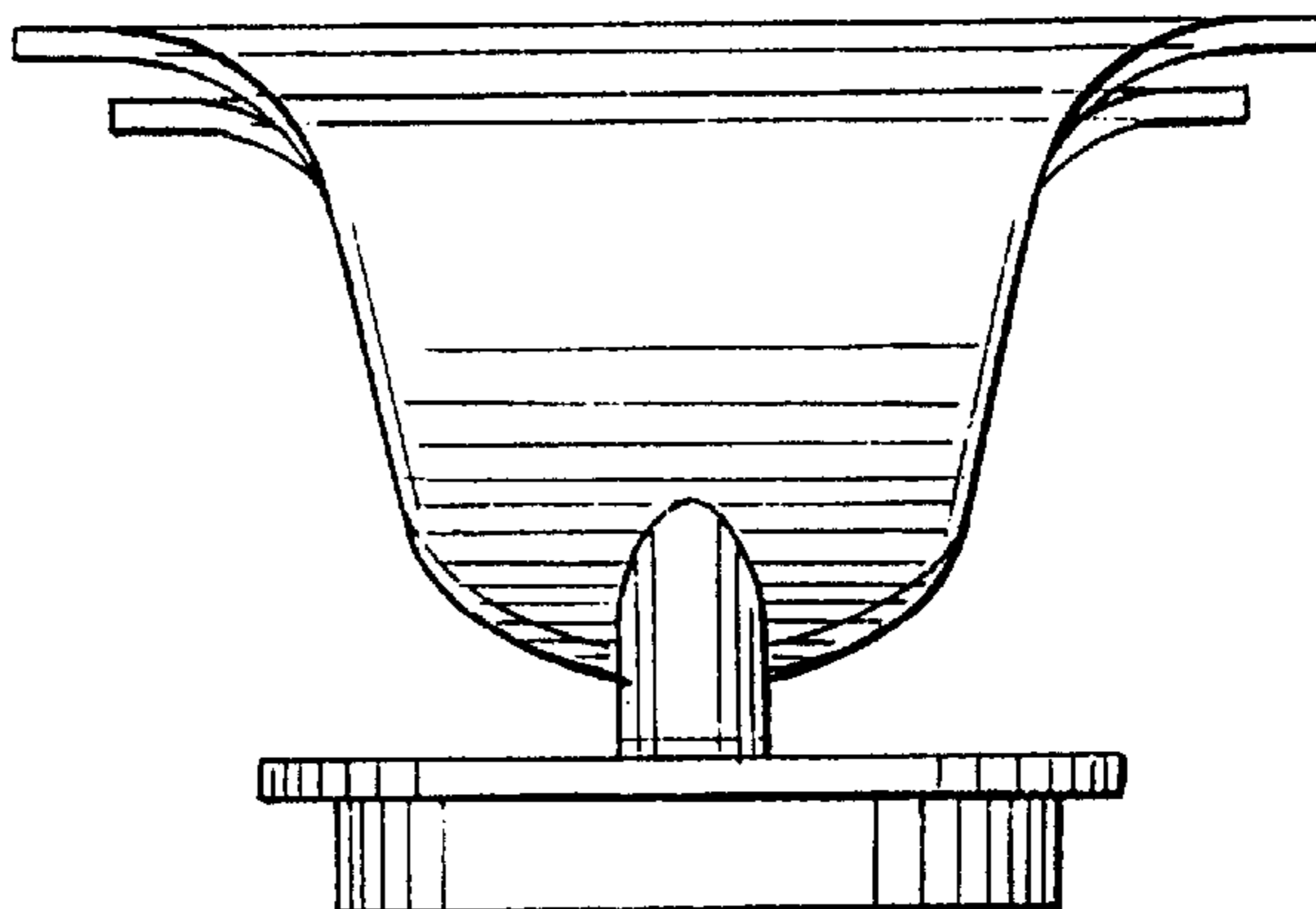


FIG. 3



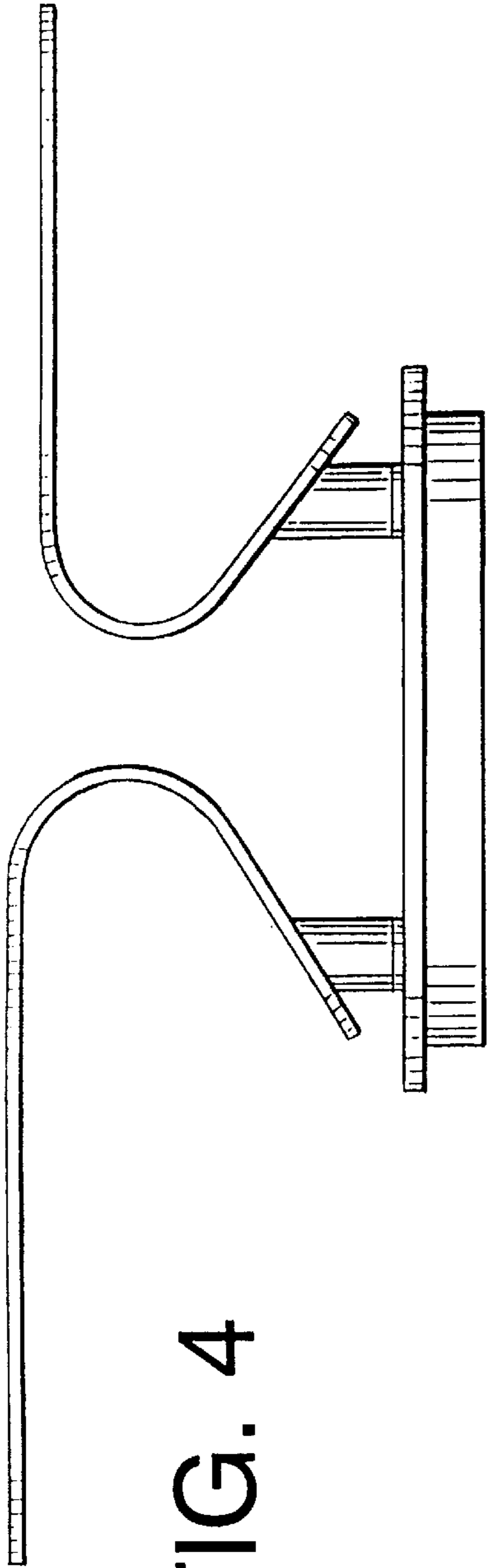


FIG. 4

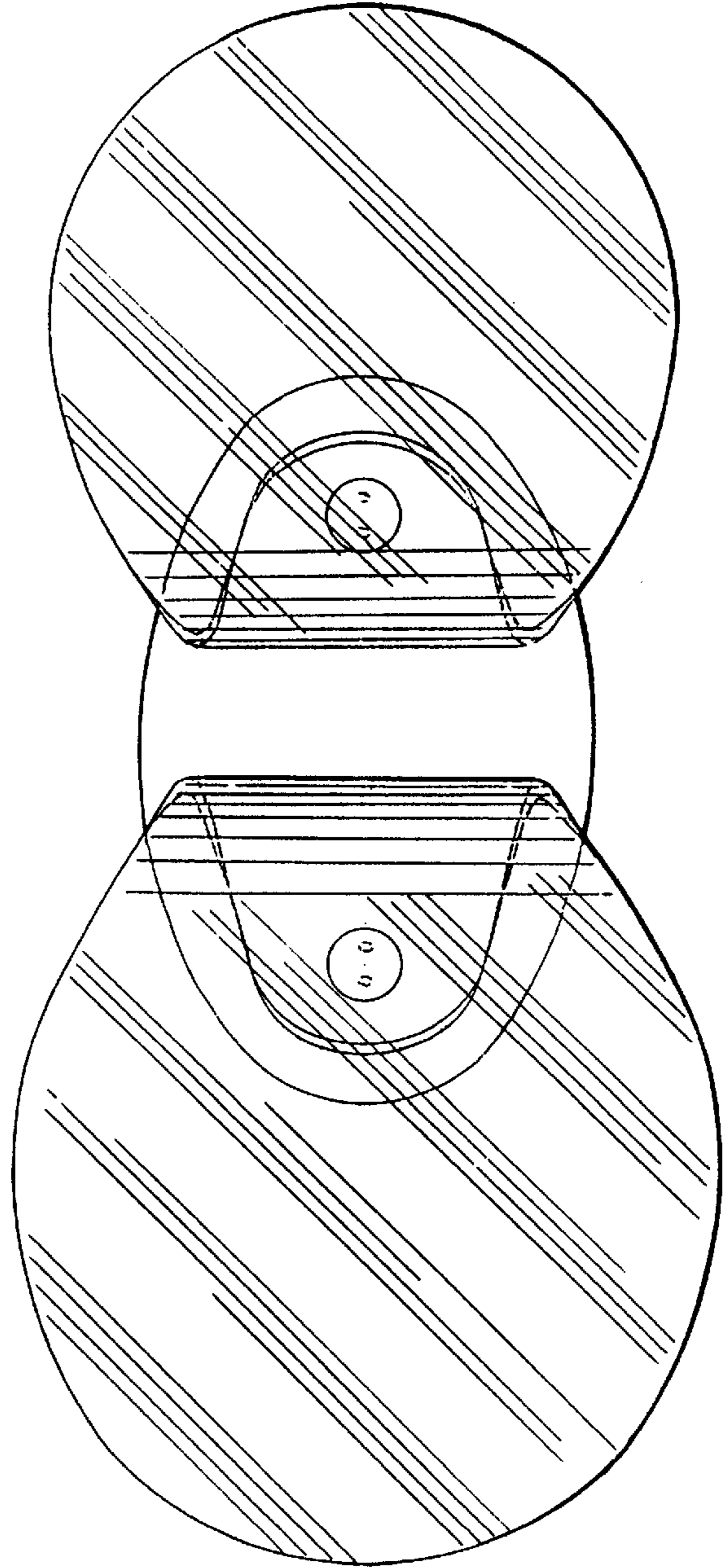


FIG. 5

FIG. 6

