



US00D406962S

United States Patent [19] Simpson, II et al.

[11] Patent Number: **Des. 406,962**

[45] Date of Patent: ****Mar. 23, 1999**

[54] **STACKABLE SEMI-CIRCULAR
COLLECTIBLE DISPLAY STAND**

[75] Inventors: **Morton Simpson, II**, Edison; **Michael Pfeifer**, Plainsboro, both of N.J.; **Stuart Karten**; **Eric Olson**, both of Marina Del Rey, Calif.

[73] Assignee: **Collectible Display Systems, Inc.**, Edison, N.J.

[**] Term: **14 Years**

[21] Appl. No.: **83,504**

[22] Filed: **Feb. 11, 1998**

[51] **LOC (6) Cl.** **06-04**

[52] **U.S. Cl.** **D6/468**

[58] **Field of Search** D6/466-468, 473-476, D6/477, 479, 300, 301; D19/75, 92, 86; 211/11, 44, 50, 70.1, 49.1, 88.01, 126.01, 135, 126.14, 153, 133.1, 134, 186-188, 194; 40/341, 124, 124.2, 124.4, 700, 722, 729, 731, 798; D20/19, 40-43; 248/441.1, 448, 450, 451, 466, 469, 473, 475.1, 476, 176.1

[56] **References Cited**

U.S. PATENT DOCUMENTS

D. 143,699	2/1946	Barbieri	D6/301
D. 273,355	4/1984	Grind	D6/301
D. 286,114	10/1986	Bosland	D6/477
D. 308,777	6/1990	Gambello	D6/467
D. 308,778	6/1990	Gambello	D6/468

D. 328,535	8/1992	Kramer et al.	D6/511
D. 380,762	7/1997	Sammut	D15/89
3,768,637	10/1973	Whang	206/44 R
4,366,905	1/1983	Forshee	206/511
4,428,487	1/1984	Hepp	211/126
4,508,230	4/1985	Ashton	211/181
4,579,233	4/1986	Hepp	211/126.1
4,657,148	4/1987	Heng	211/194 X
4,706,824	11/1987	Mercer	211/188
4,955,485	9/1990	Alton	211/14
4,976,360	12/1990	Zucker	211/186
5,158,187	10/1992	Taub	211/186

Primary Examiner—James Gandy
Assistant Examiner—Linda Brooks
Attorney, Agent, or Firm—Fulwider Patton Lee & Utecht, LLP

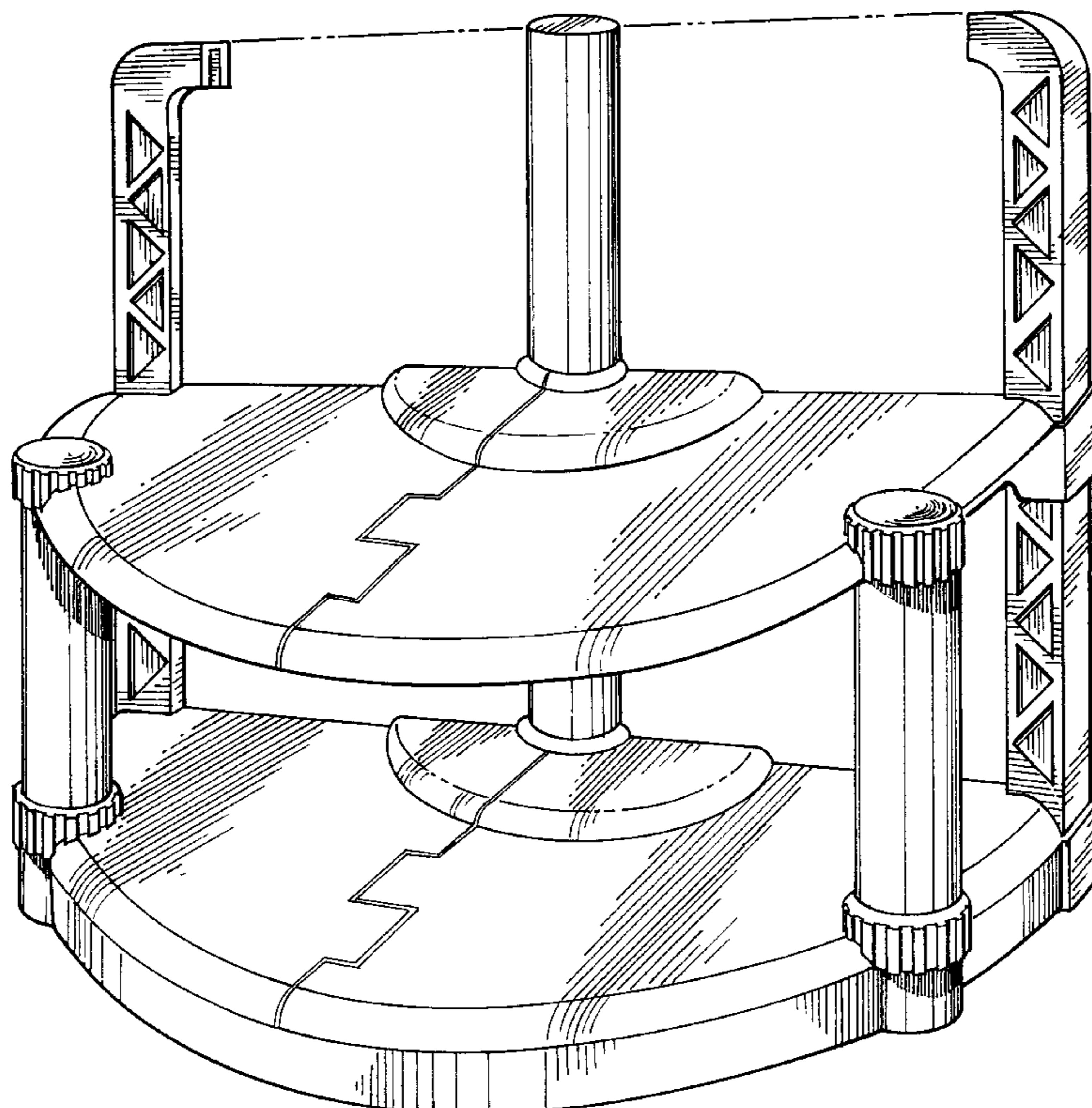
[57] **CLAIM**

The ornamental design for a stackable semi-circular collectible display stand, as shown and described.

DESCRIPTION

FIG. 1 is a perspective view of a stackable semi-circular collectible display stand showing our new design, with the broken line showing of interchangeable background inserts being for illustrative purposes only and forming no part of the claimed design;
FIG. 2 is a front elevational view thereof on a reduced scale;
FIG. 3 is a left elevational view of FIG. 2, the right side elevational view being a mirror image;
FIG. 4 is a rear elevational view of FIG. 2;
FIG. 5 is a top plan view of FIG. 2; and,
FIG. 6 is a bottom plan view of FIG. 2.

1 Claim, 6 Drawing Sheets



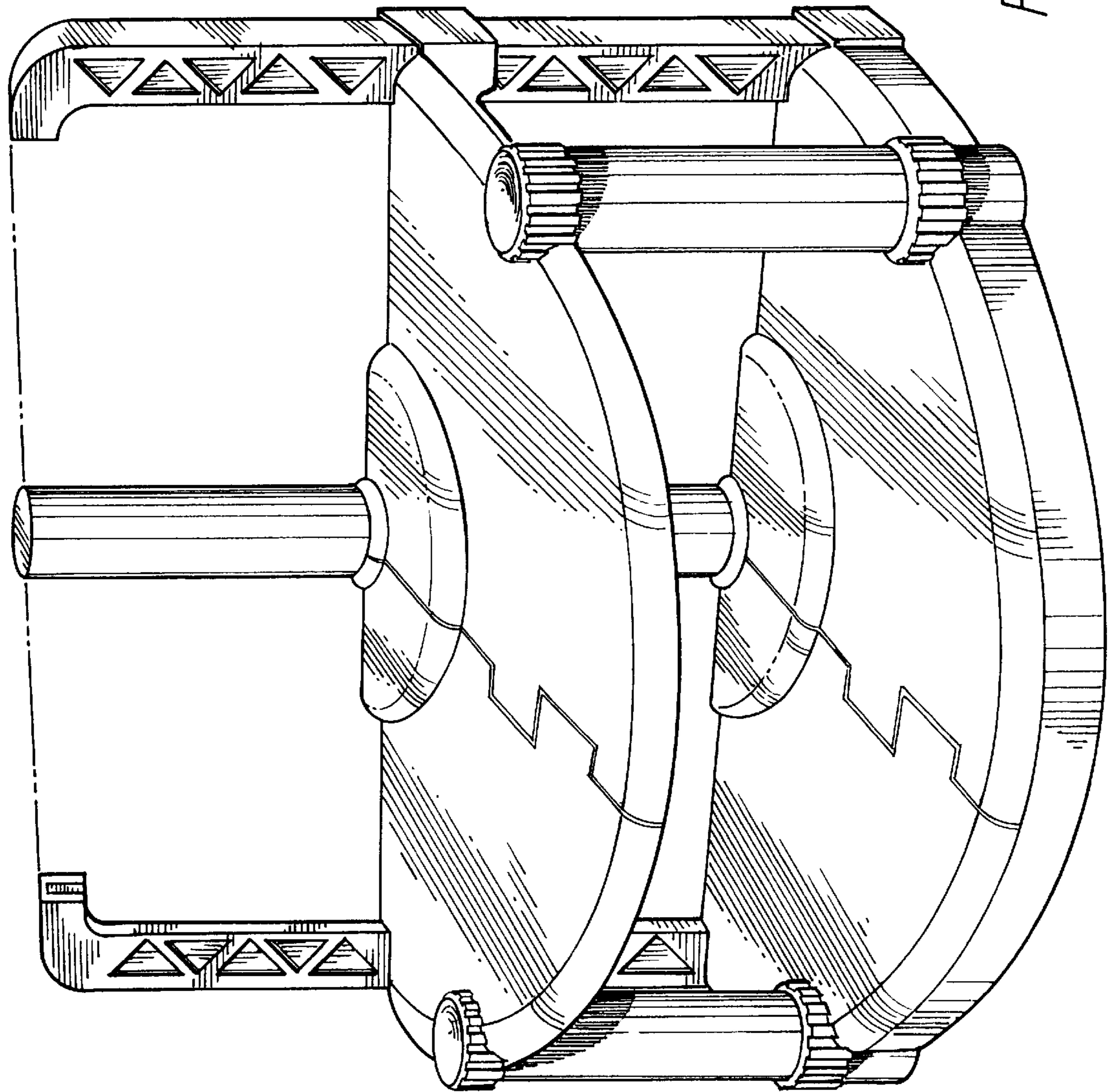


FIG. 1

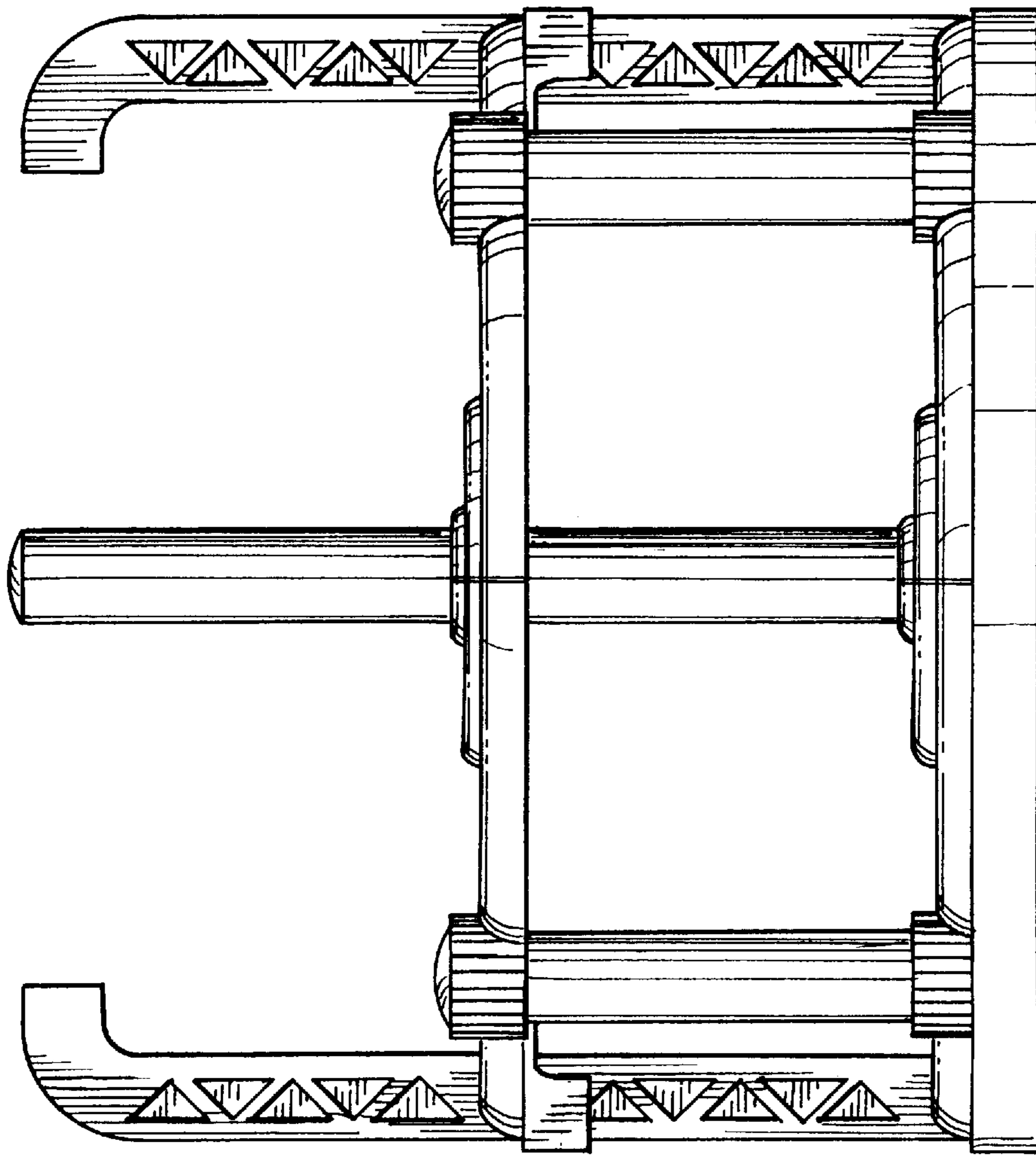


FIG. 2

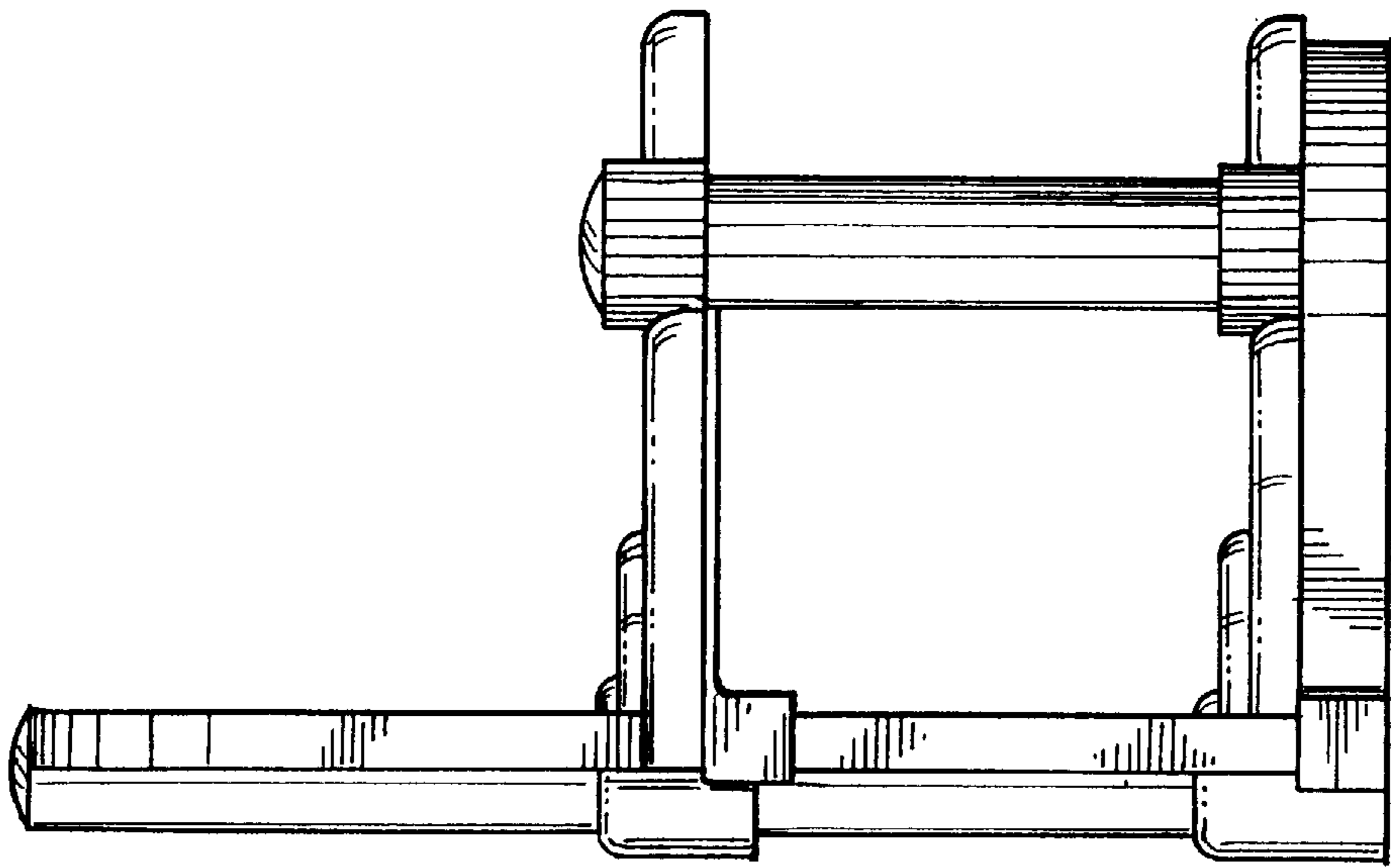


FIG. 3

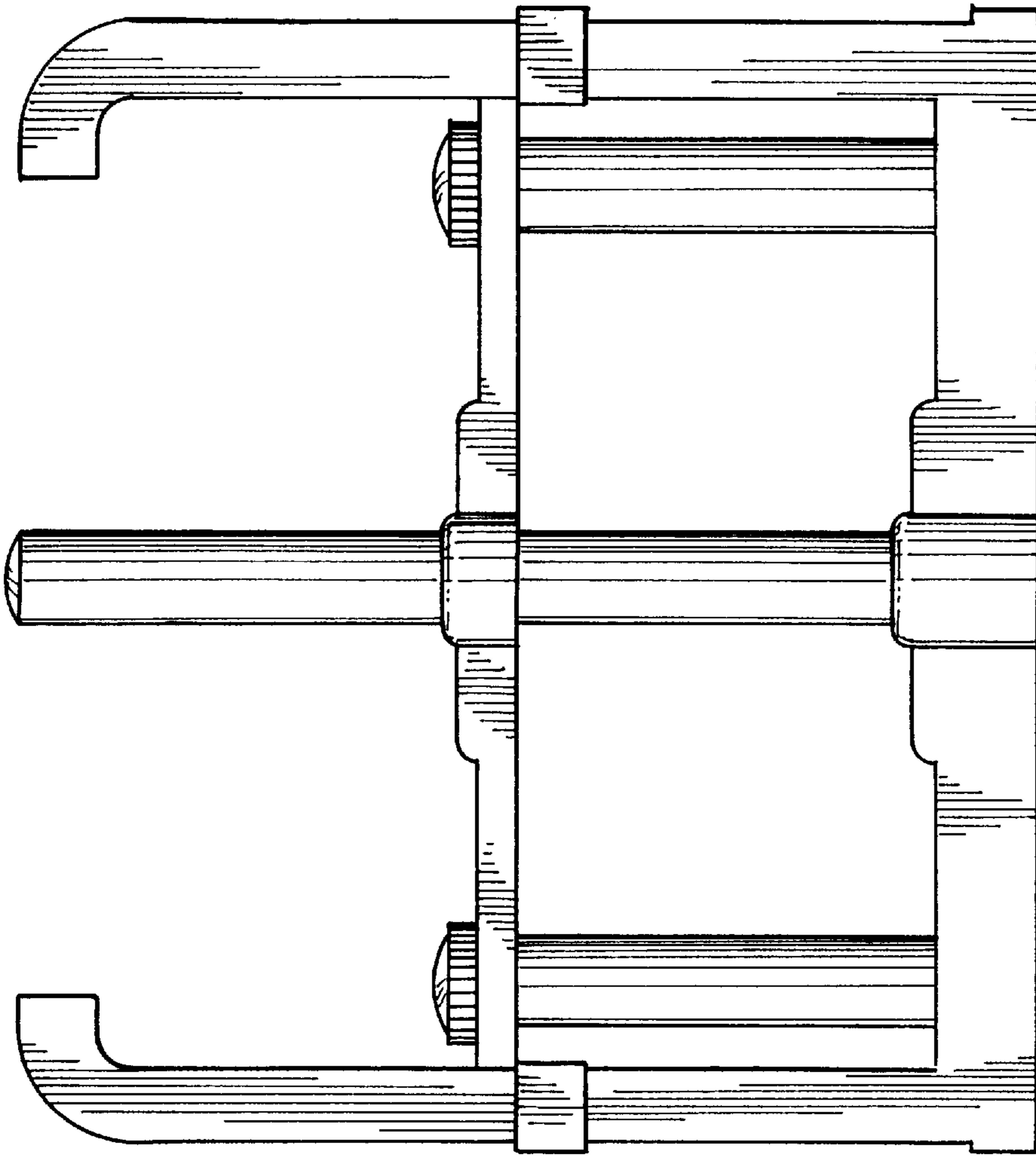


FIG. 4

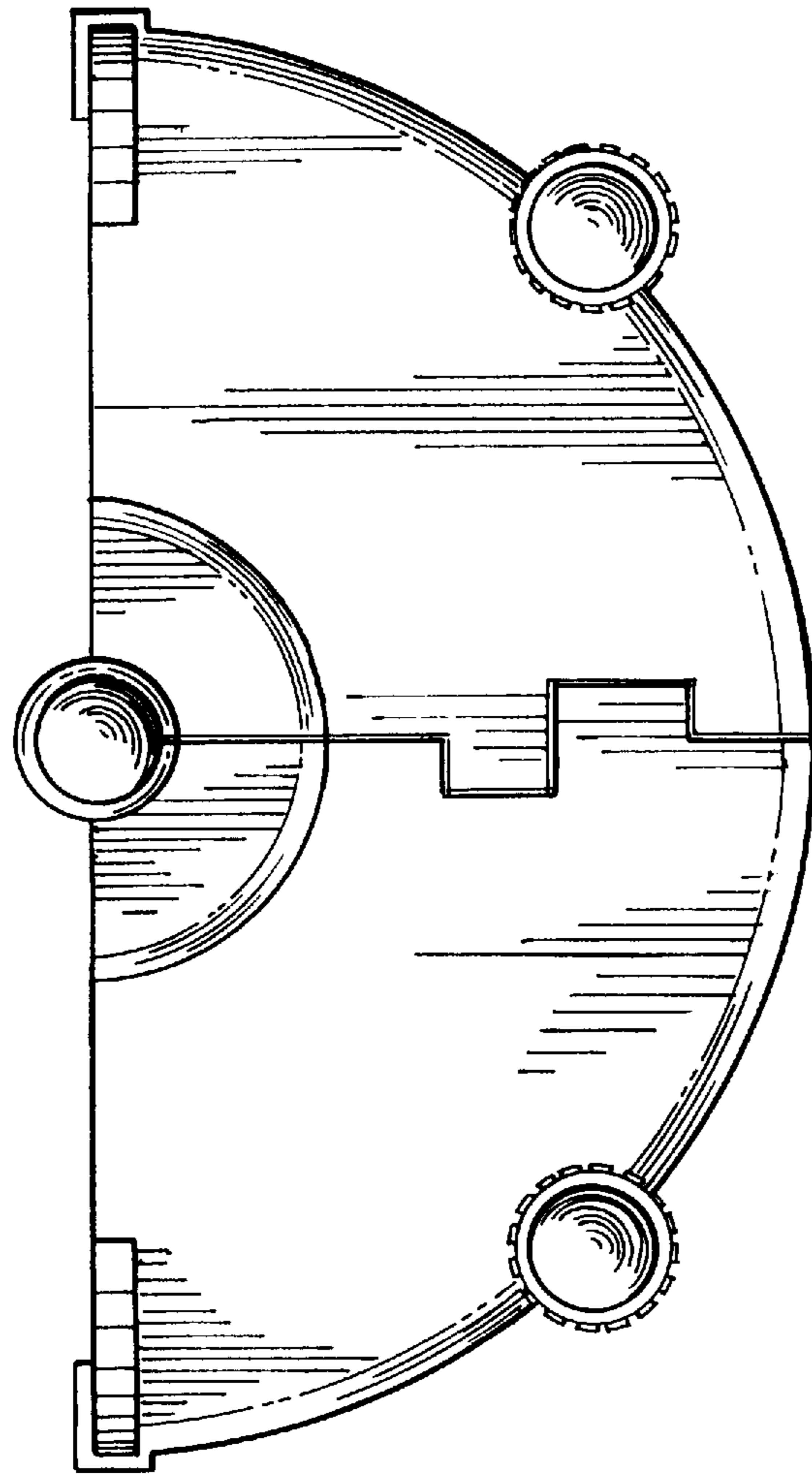


FIG. 5

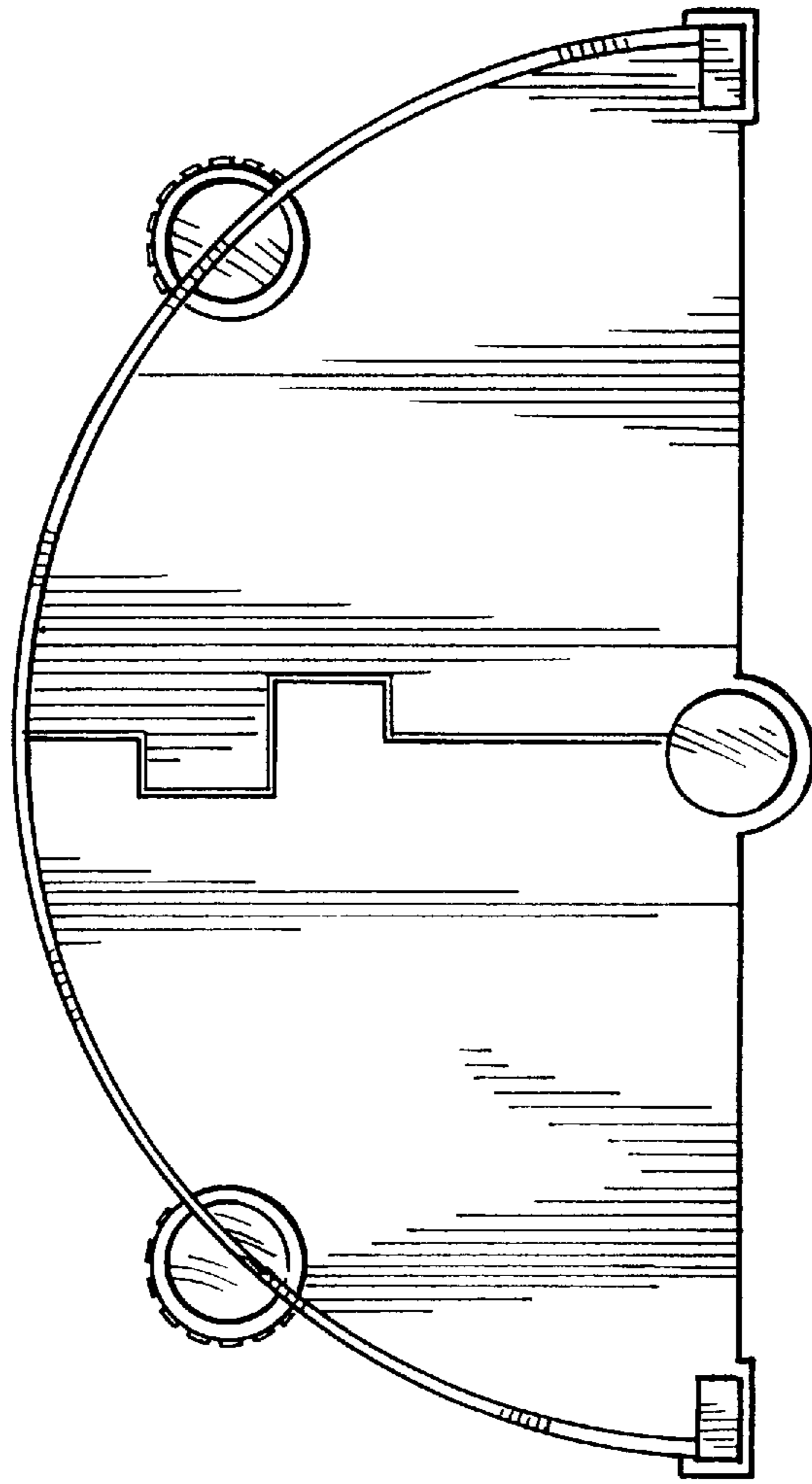


FIG. 6