



US00D406960S

United States Patent [19]
Zaid

[11] **Patent Number: Des. 406,960**

[45] **Date of Patent: **Mar. 23, 1999**

[54] **POLE STORAGE STAND**

[76] Inventor: **Gene H. Zaid**, 213 E. Monroe,
Sterling, Kans. 67579

[**] Term: **14 Years**

[21] Appl. No.: **82,163**

[22] Filed: **Jan. 16, 1998**

[51] **LOC (6) Cl.** **06-04**

[52] **U.S. Cl.** **D6/464; D6/552**

[58] **Field of Search** D6/455, 457, 466-469,
D6/462, 464, 552, 397, 458; D22/147,
148; 248/121, 146, 163.1, 175, 176.1, 125.8,
518, 519; 211/60.1, 67, 68, 71.01, 85.18,
85.26, 112, 181.1, 119, 20.8, 65, 165; 206/315.1,
317, 315.2; 43/21.2

[56] **References Cited**

U.S. PATENT DOCUMENTS

D. 202,432 9/1965 Turiace D22/148

D. 394,300 5/1998 Samuels et al. D22/148
955,646 4/1910 Jorey 211/65
3,076,557 2/1963 Husted et al. 211/165 X
4,671,009 6/1987 Faunce 43/21.2 X
5,487,475 1/1996 Knee D6/552 X

Primary Examiner—Doris V. Coles
Assistant Examiner—Linda Brooks
Attorney, Agent, or Firm—Hovey, Williams, Timmons &
Collins

[57] **CLAIM**

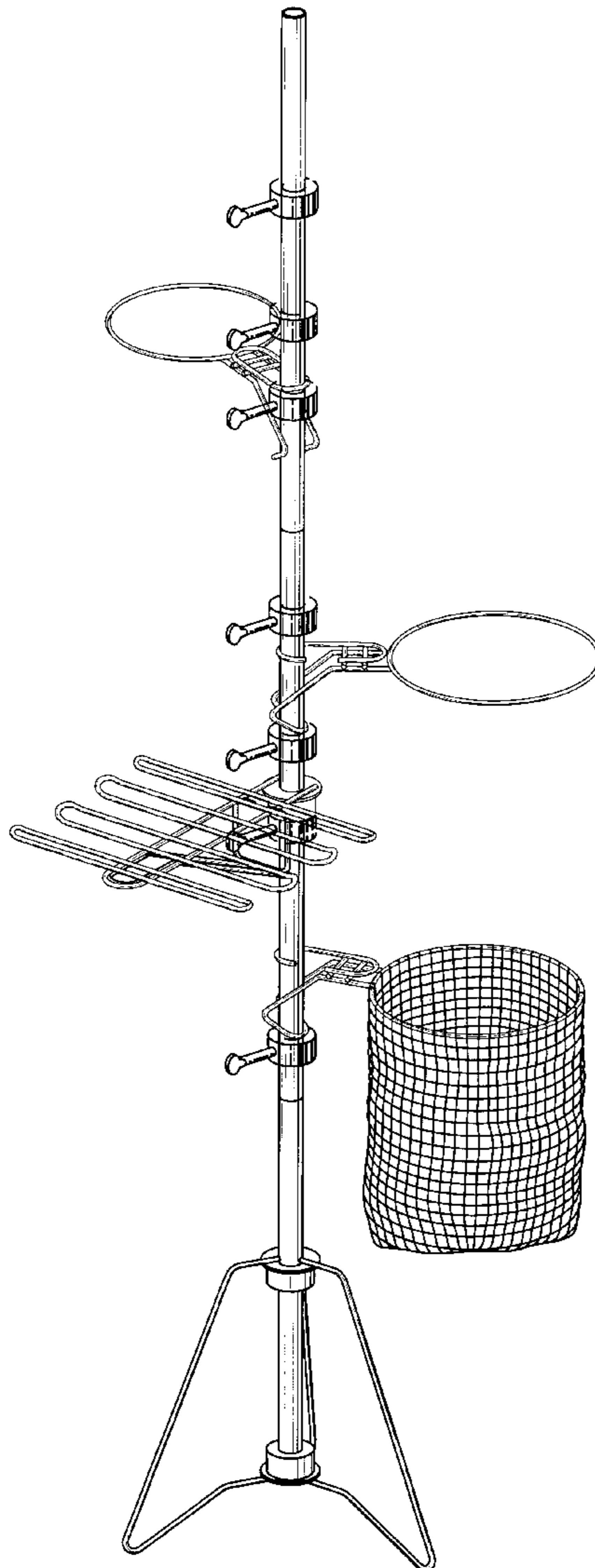
The ornamental design for a pole storage stand, as shown and described.

DESCRIPTION

FIG. 1 is a perspective view of a pole storage stand; FIG. 2 is a side view of stand FIG. 1; and, FIG. 3 is a plan view of stand FIG. 1.

The mesh part of the bag is fragmentarily shown in FIG. 2 for clarity of illustration, in order to fully disclose the verticle pole and support bracket for the bag.

1 Claim, 2 Drawing Sheets



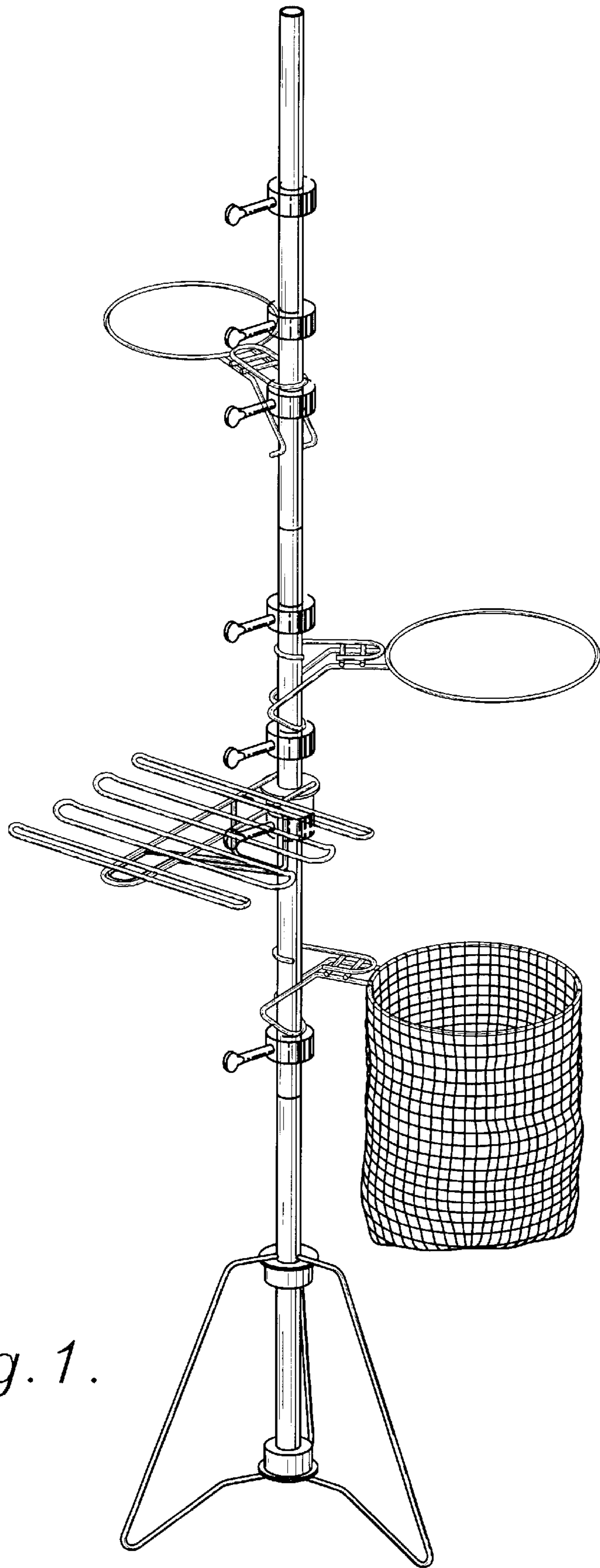


Fig. 1.

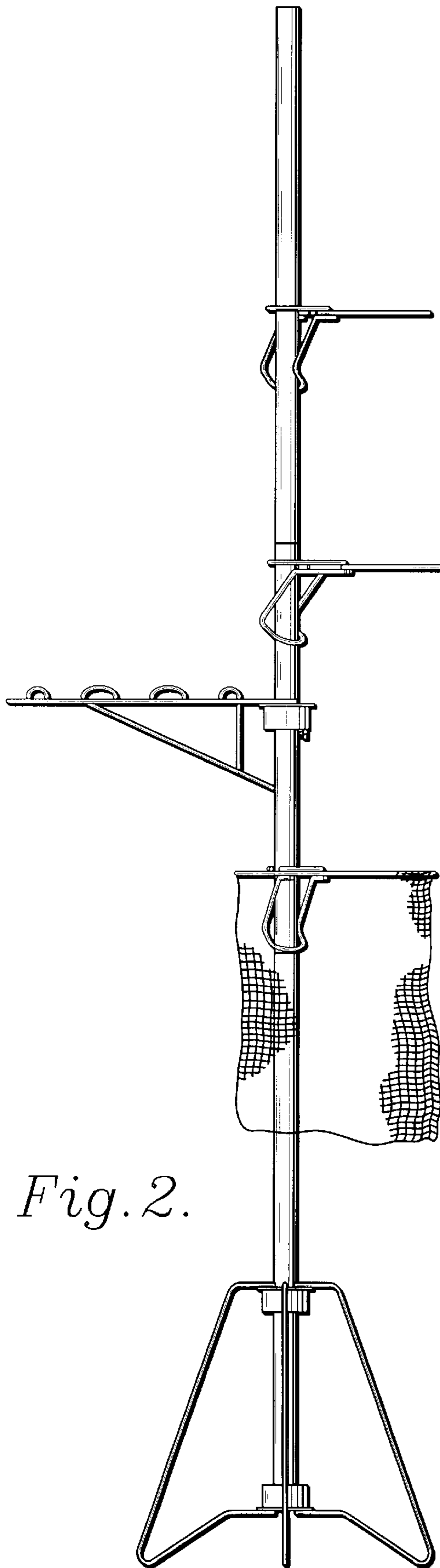


Fig. 2.

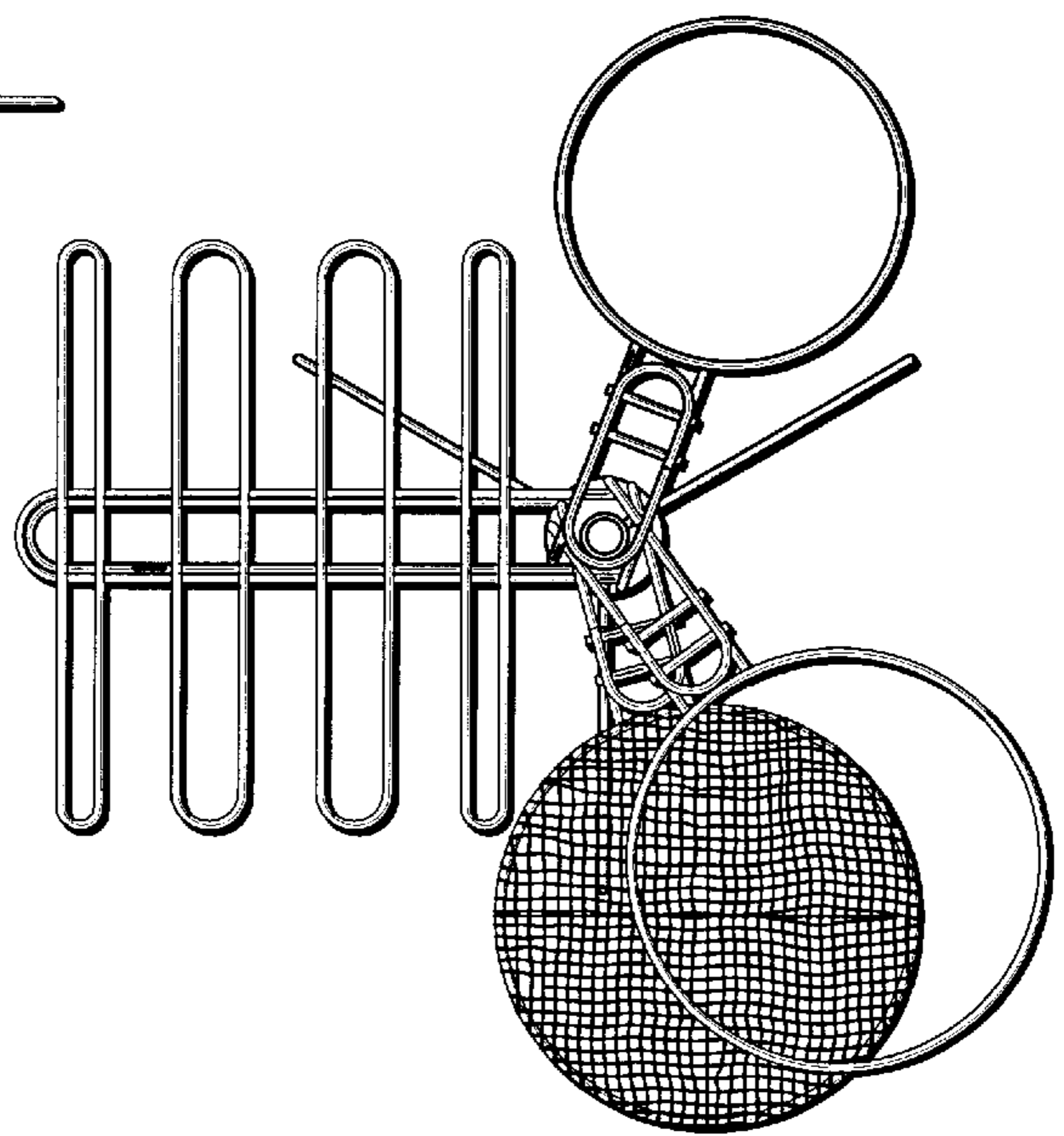


Fig. 3.