



US00D406956S

United States Patent [19]
Lee

[11] **Patent Number: Des. 406,956**

[45] **Date of Patent: **Mar. 23, 1999**

[54] **WORKSTATION**

D. 368,812 4/1996 Lee D6/421
4,561,619 12/1985 Robillard et al. D6/428 X

[76] Inventor: **John J. Lee**, 1279 N. Tustin Ave.,
Anaheim, Calif. 92807

Primary Examiner—Carmen H. Vales-Lado
Attorney, Agent, or Firm—James E. Brunton

[**] Term: **14 Years**

[57] **CLAIM**

[21] Appl. No.: **80,950**

The ornamental design for “a workstation”, as shown.

[22] Filed: **Dec. 22, 1997**

DESCRIPTION

[51] **LOC (6) Cl.** **06-04**

FIG. 1 is a perspective view of a workstation showing my new design;

[52] **U.S. Cl.** **D6/426**

FIG. 2 is a front elevational view thereof;

[58] **Field of Search** D6/421–428; 312/194–196,
312/223.3, 223.2, 208.1, 208.2; 108/59,
60

FIG. 3 is a right side view thereof;

FIG. 4 is a left side view thereof;

FIG. 5 is a top plan view thereof;

FIG. 6 is a rear elevational view thereof; and,

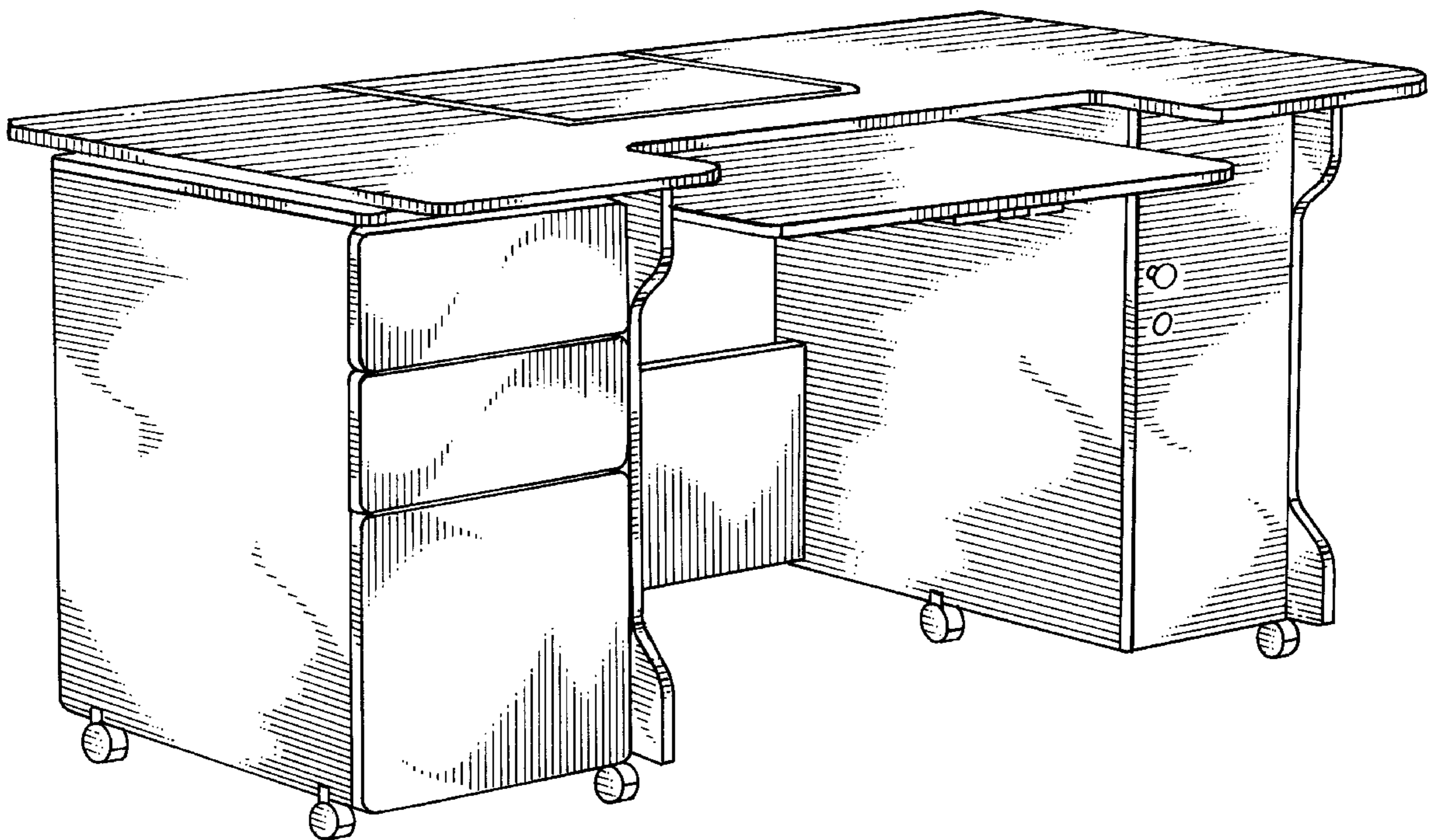
FIG. 7 is a bottom plan view thereof.

[56] **References Cited**

U.S. PATENT DOCUMENTS

D. 305,185 12/1989 Cruz D6/426
D. 340,816 11/1993 Lee D6/421

1 Claim, 4 Drawing Sheets



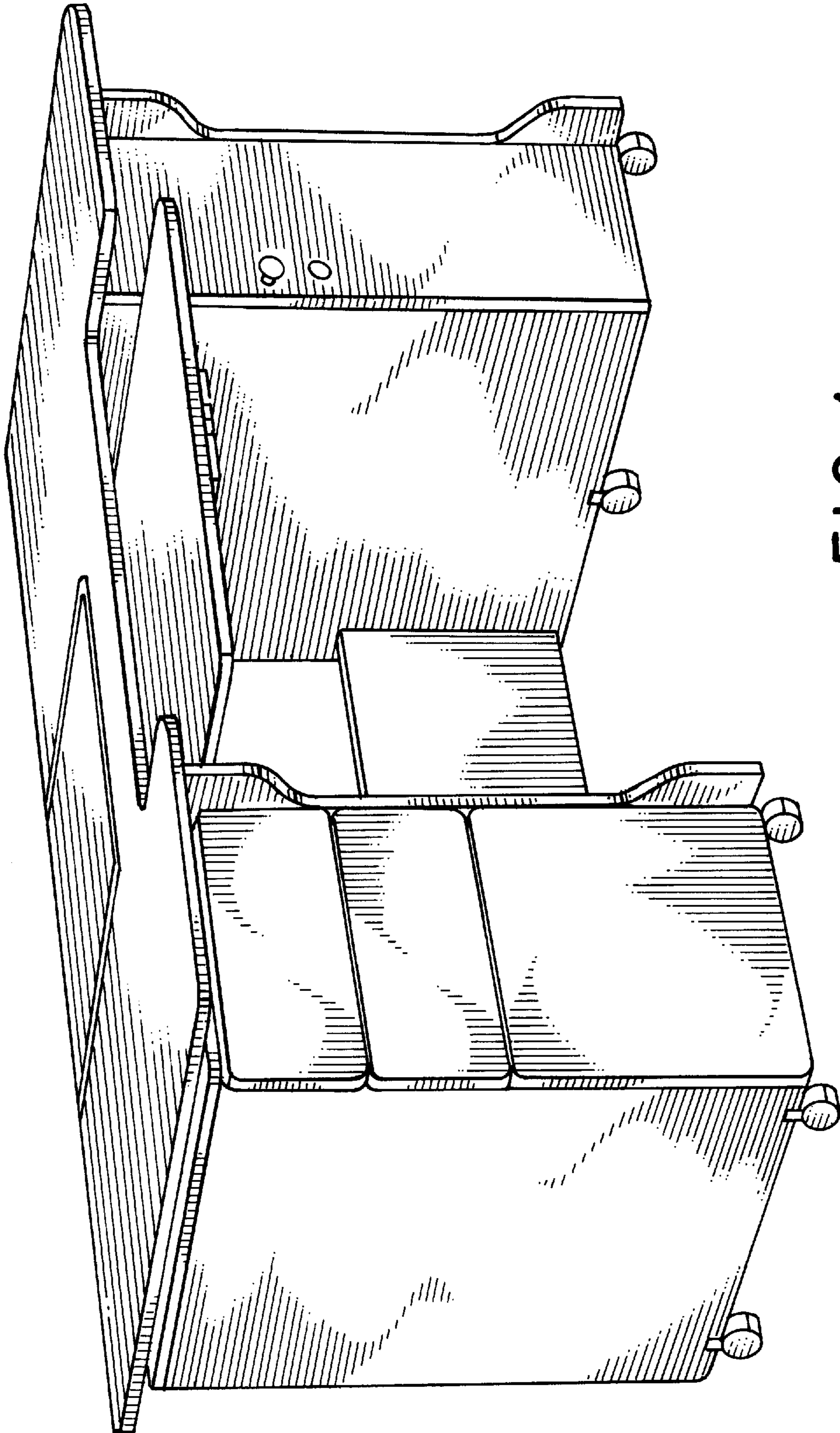


FIG. 1

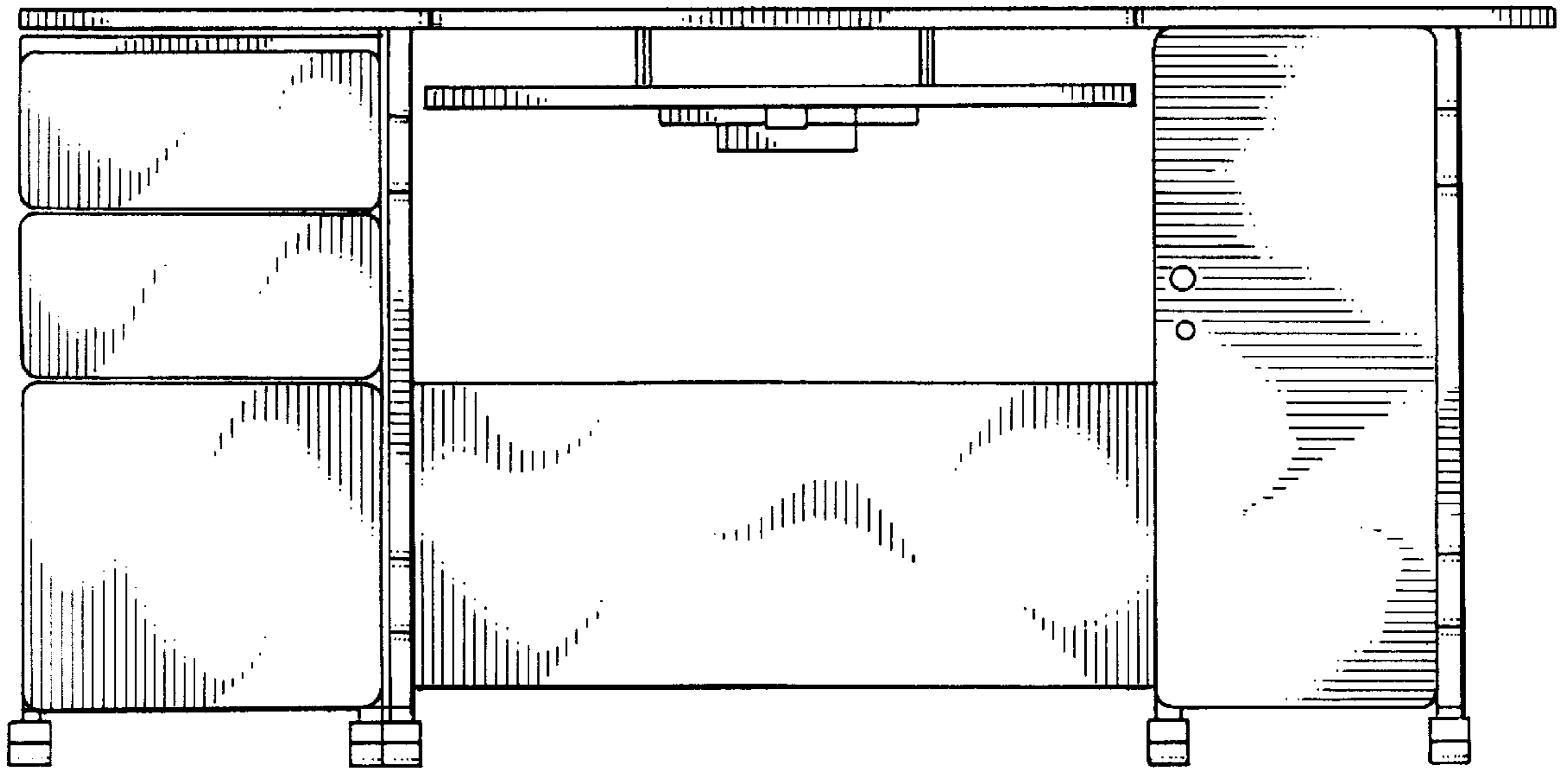


FIG. 2

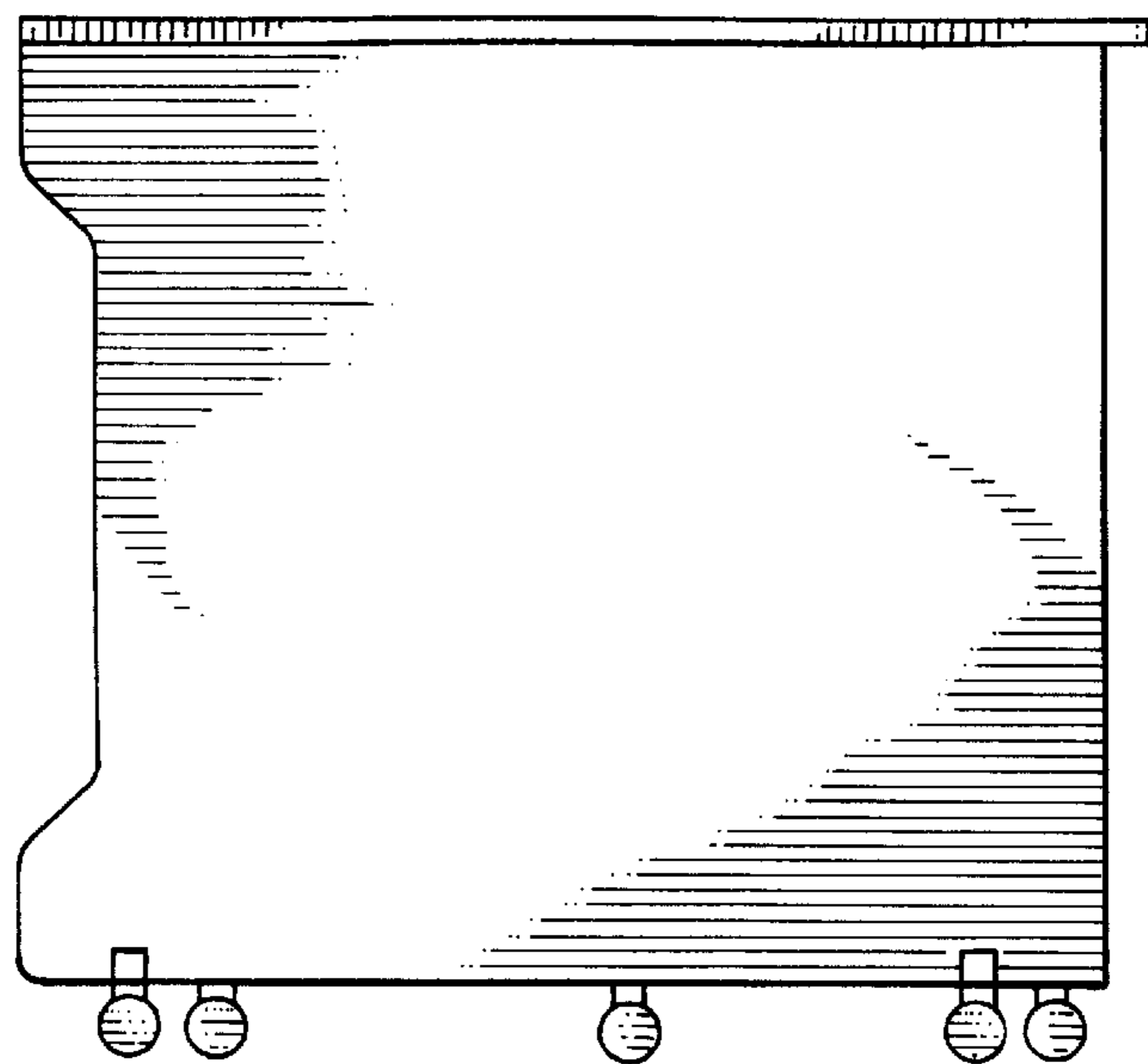


FIG. 3

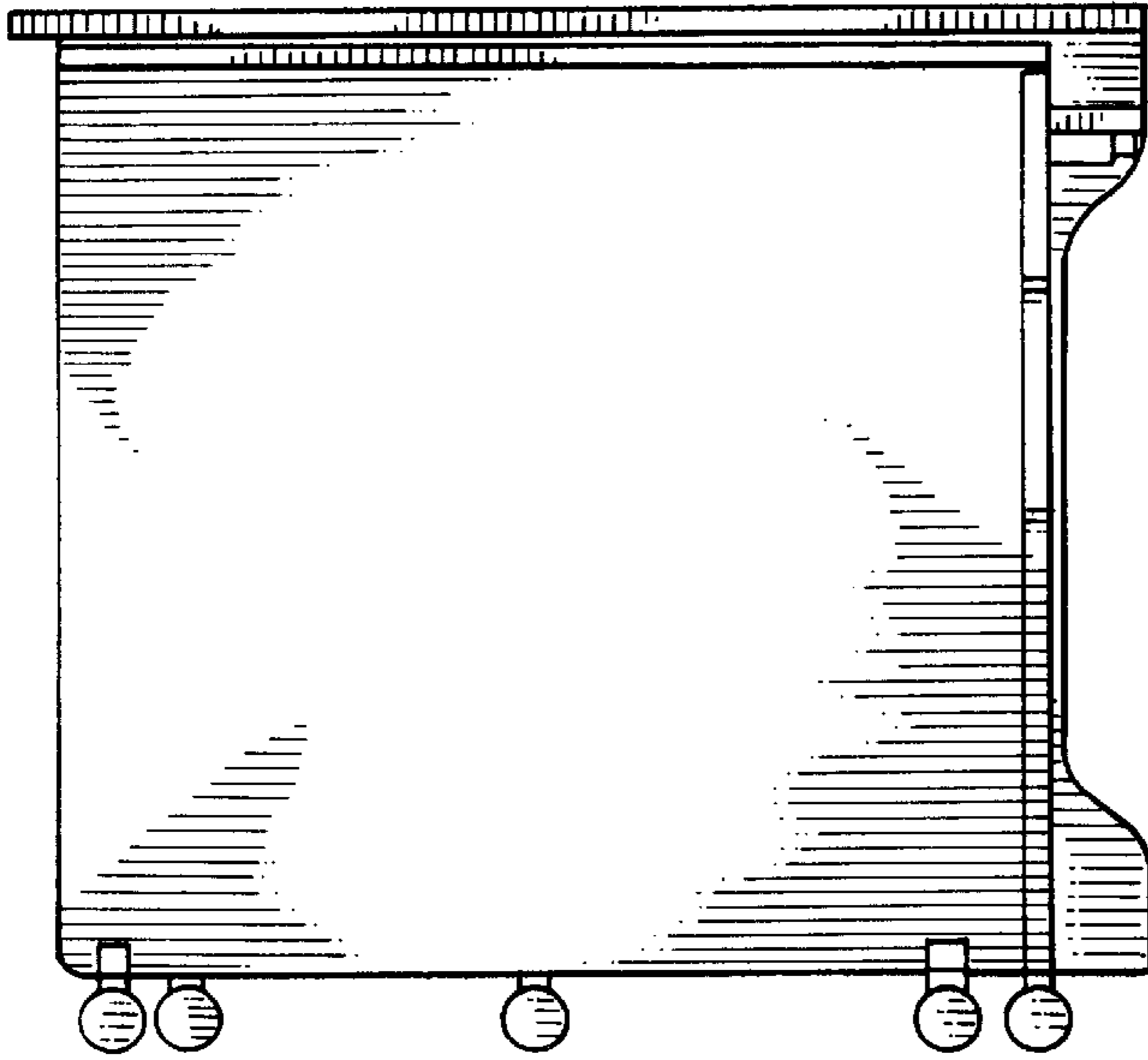
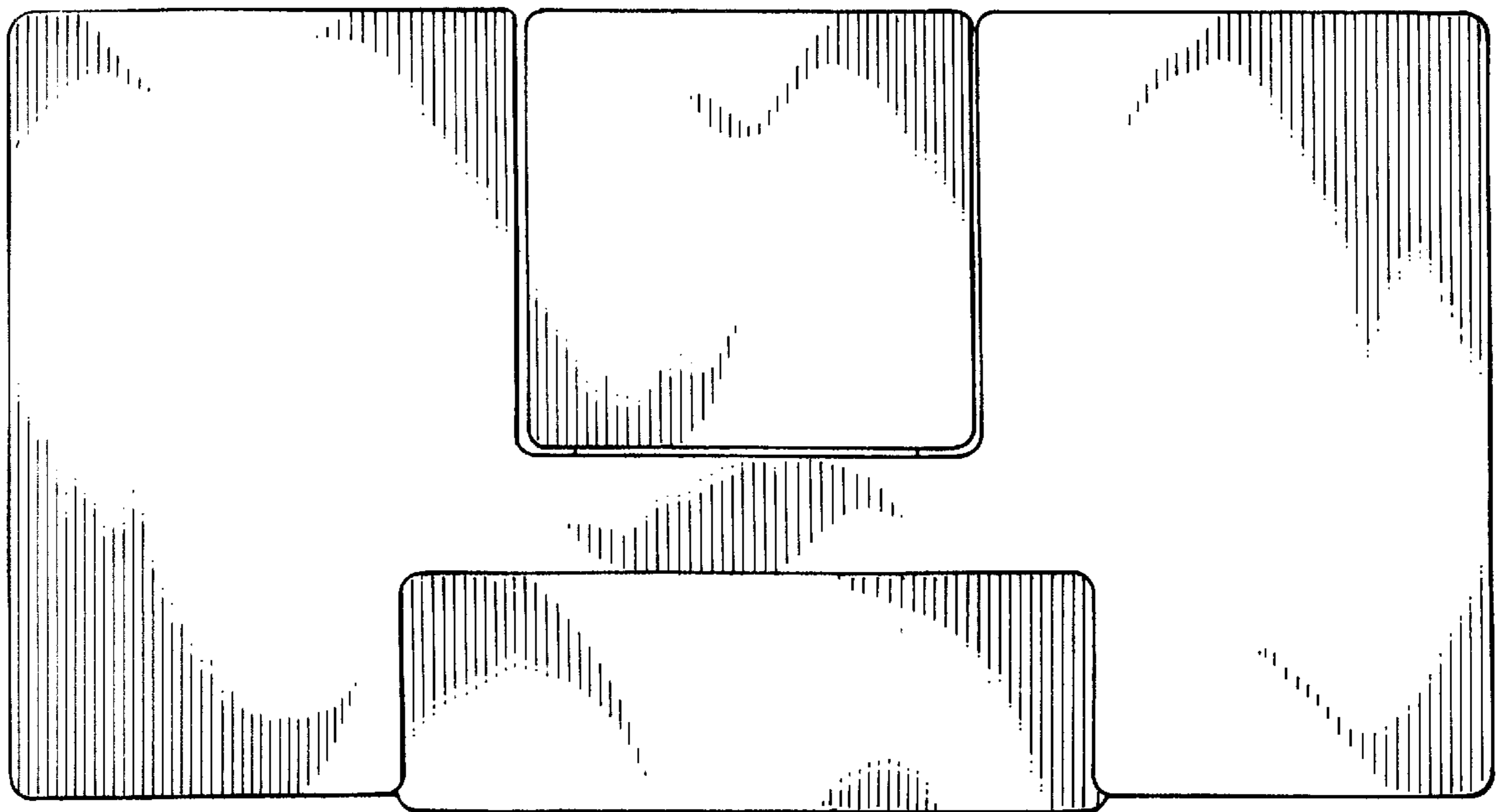


FIG. 4

FIG. 5



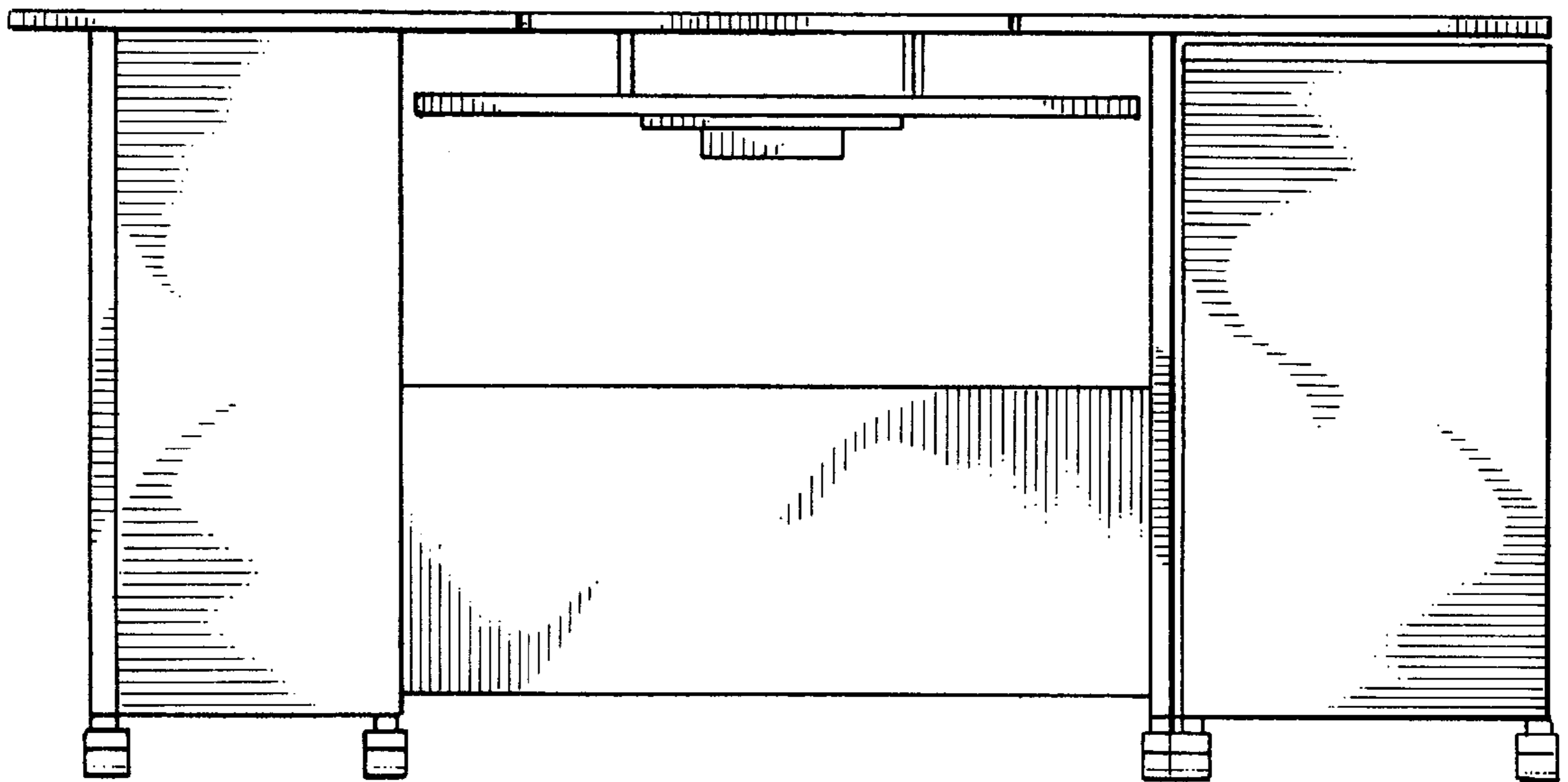


FIG. 6

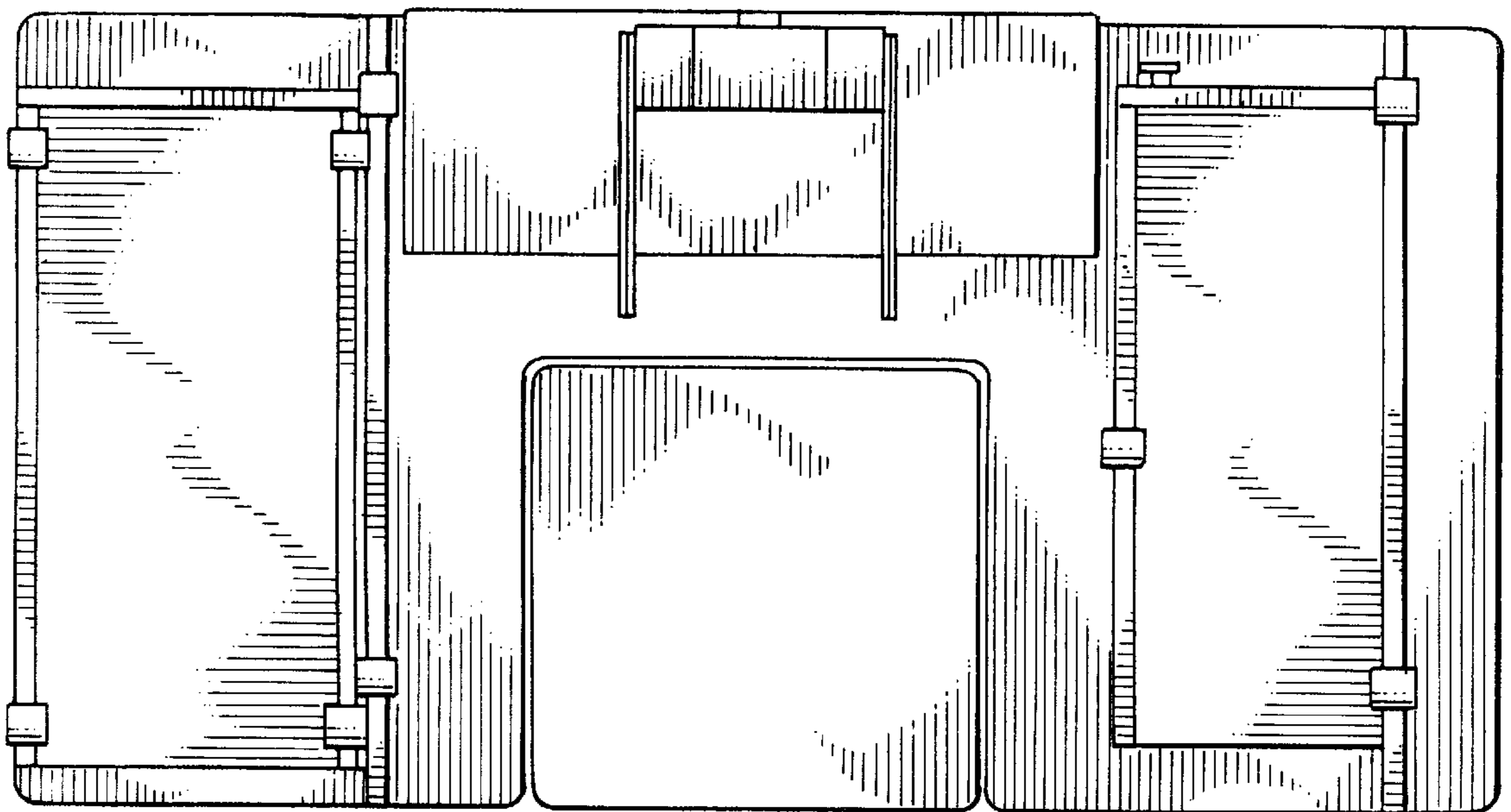


FIG. 7