



US00D406954S

United States Patent [19]
Riboldi

[11] **Patent Number: Des. 406,954**

[45] **Date of Patent: **Mar. 23, 1999**

[54] **SEAT**

[75] Inventor: **Giulio Riboldi**, Briosco, Italy

[73] Assignee: **Flexsteel Industries, Inc.**, Dubuque, Iowa

[**] Term: **14 Years**

[21] Appl. No.: **78,043**

[22] Filed: **Oct. 16, 1997**

[51] **LOC (6) Cl.** **06-01**

[52] **U.S. Cl.** **D6/381; D6/334**

[58] **Field of Search** D6/334, 335, 336,
D6/364, 371, 373, 381, 500, 501, 502;
297/232, 445.1

[56] **References Cited**

U.S. PATENT DOCUMENTS

D. 70,187	5/1926	Ruben	D6/334
D. 237,435	11/1975	Kaplan	D6/381
D. 367,180	2/1996	Natuzzi et al.	D6/381
D. 381,527	7/1997	Williams	D6/381
D. 392,809	3/1998	Natuzzi et al.	D6/381
5,740,564	4/1998	Hankins et al.	297/232 X

Primary Examiner—Gary D. Watson

Attorney, Agent, or Firm—Lee, Mann, Smith, McWilliams,
Sweeny & Ohlson

[57] **CLAIM**

The ornamental design for a seat, as shown and described.

DESCRIPTION

FIG. 1 is a perspective view of a seat, showing my new design in the form of a sofa;

FIG. 2 is a left side elevational view, the right side being a mirror image thereof;

FIG. 3 is a top plan view thereof;

FIG. 4 is a front elevational view thereof;

FIG. 5 is a rear elevational view thereof;

FIG. 6 is a perspective view of a second embodiment of a seat, showing my new design in the form of a love seat;

FIG. 7 is a left side elevational view, the right side being a mirror image thereof;

FIG. 8 is a top plan view thereof;

FIG. 9 is a front elevational view thereof;

FIG. 10 is a rear elevational view thereof;

FIG. 11 is a perspective view of a third embodiment of a seat, showing my new design in the form of a chair;

FIG. 12 is a left side elevational view, the right side being a mirror image thereof;

FIG. 13 is a top plan view thereof;

FIG. 14 is a front elevational view thereof; and,

FIG. 15 is a rear elevational view thereof.

1 Claim, 5 Drawing Sheets

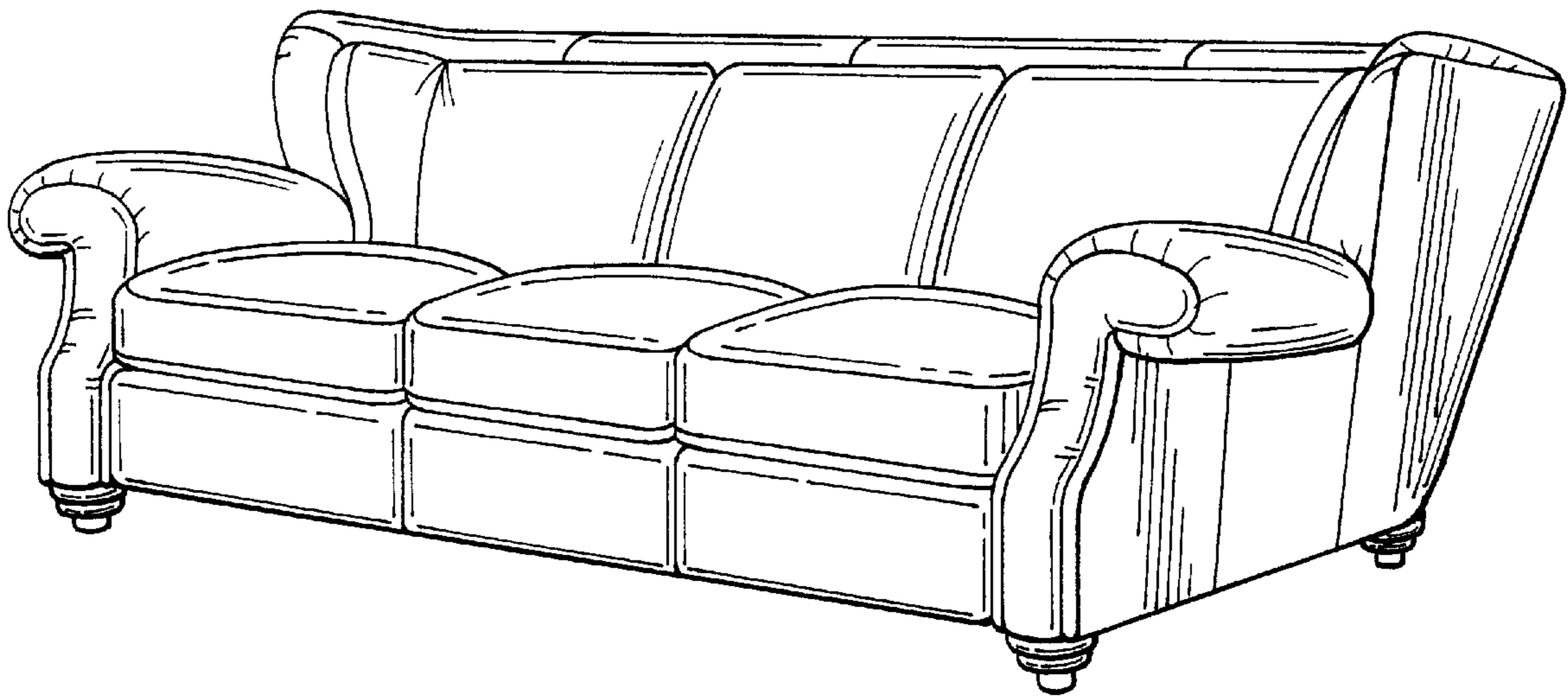


FIG. 1

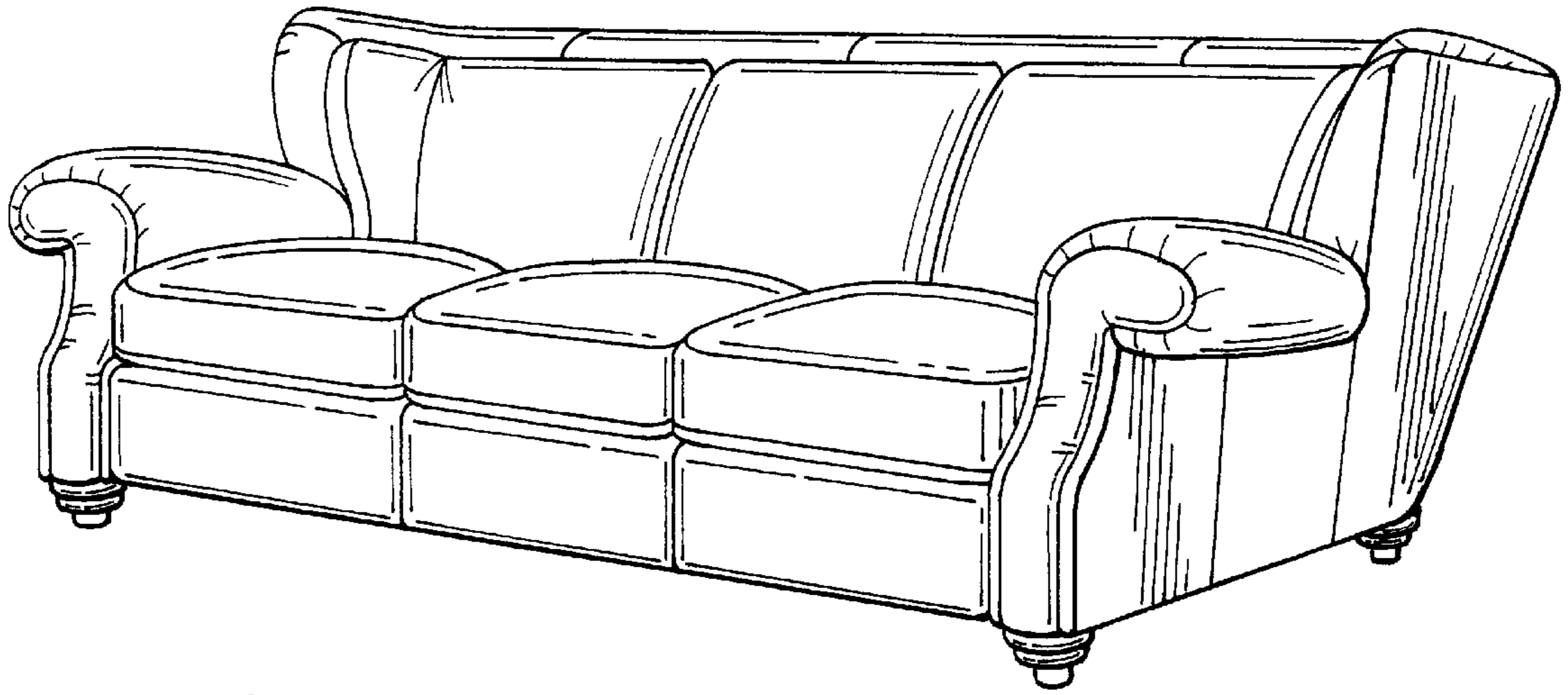


FIG. 2

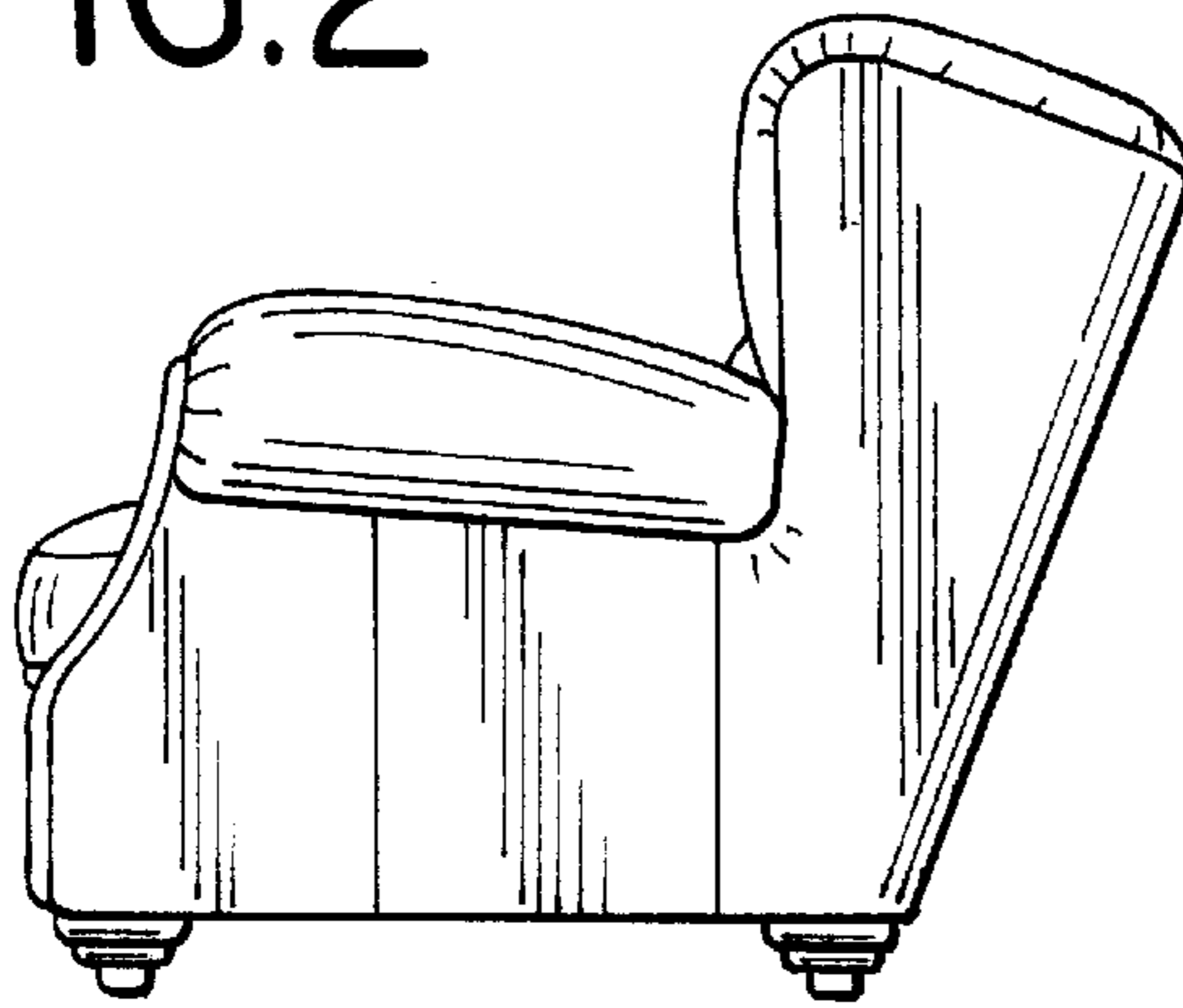


FIG. 3

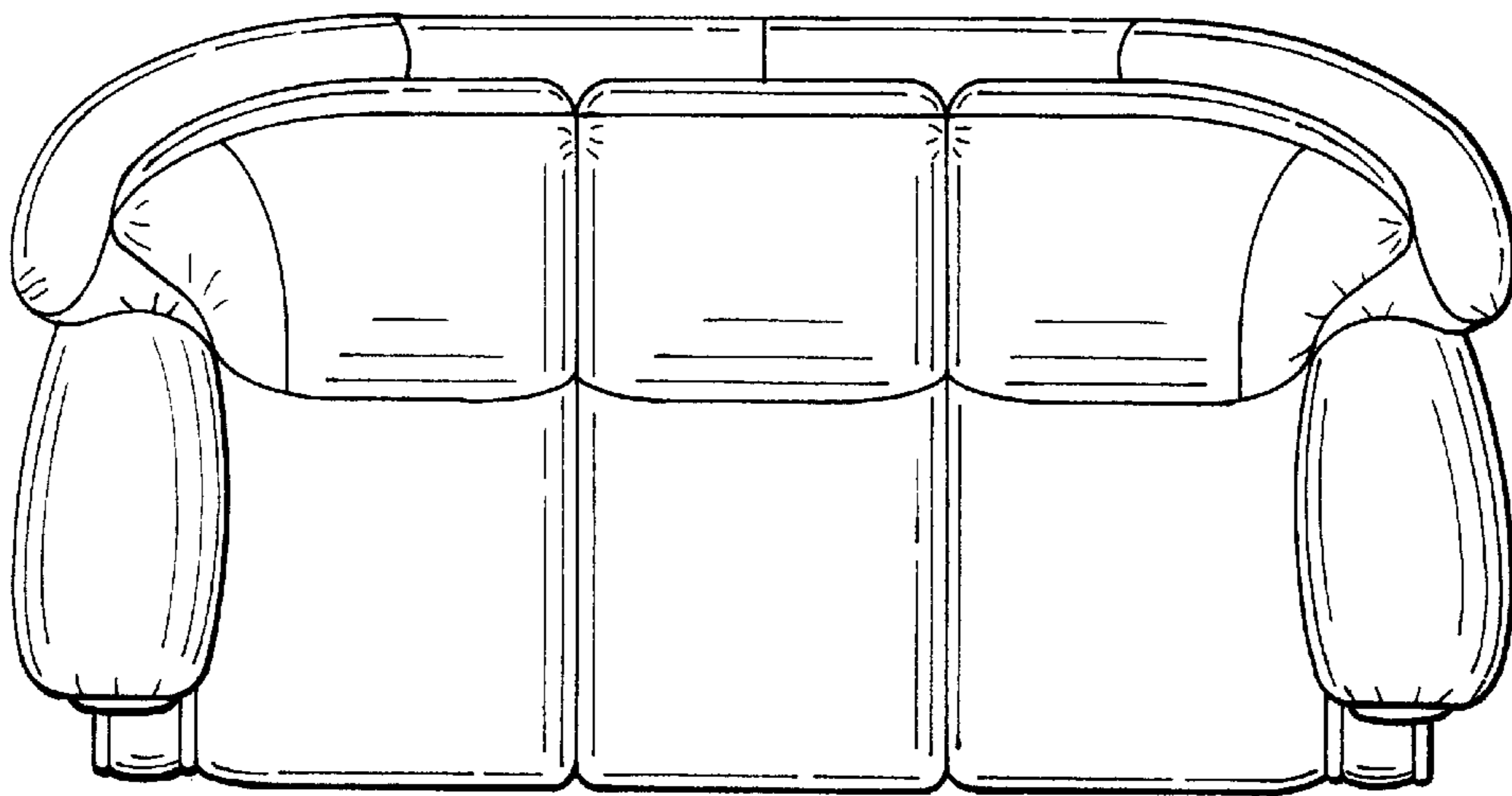


FIG.4

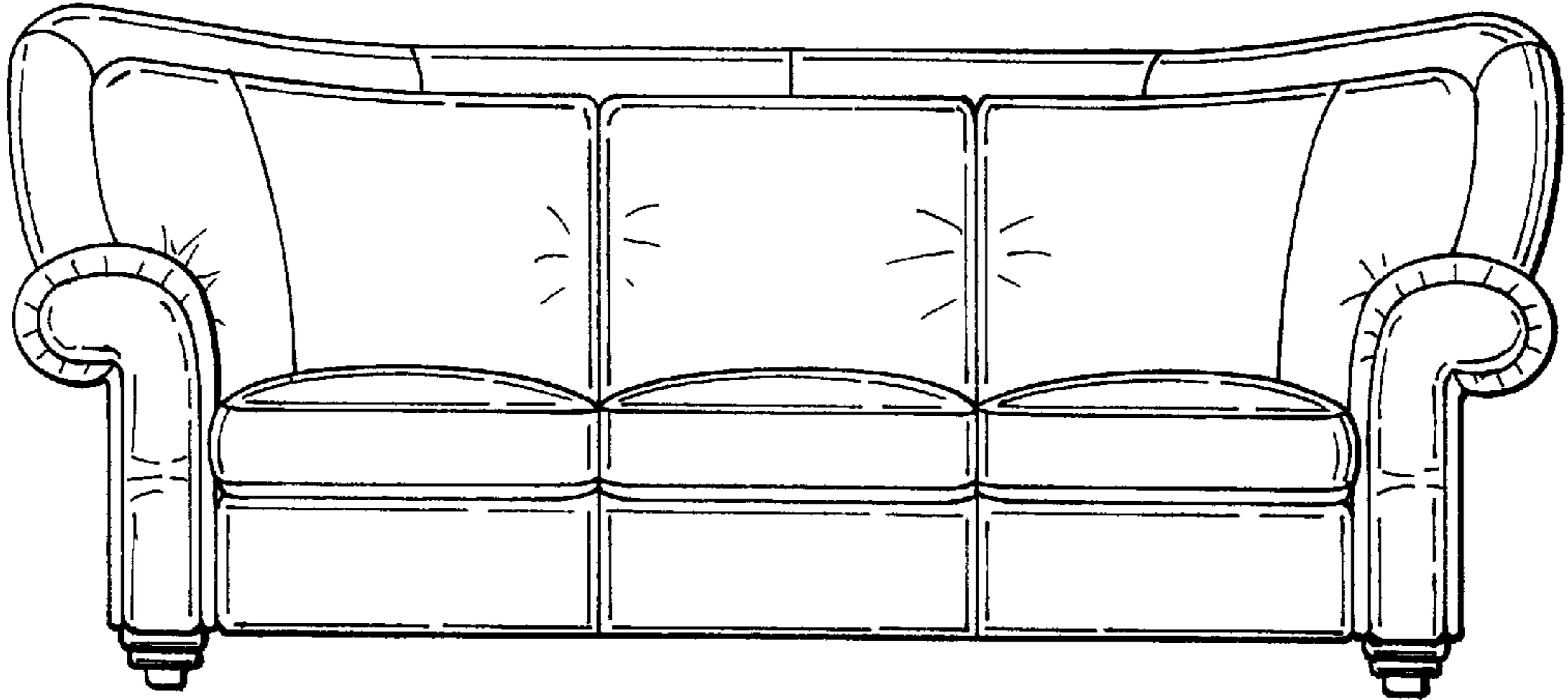


FIG.5

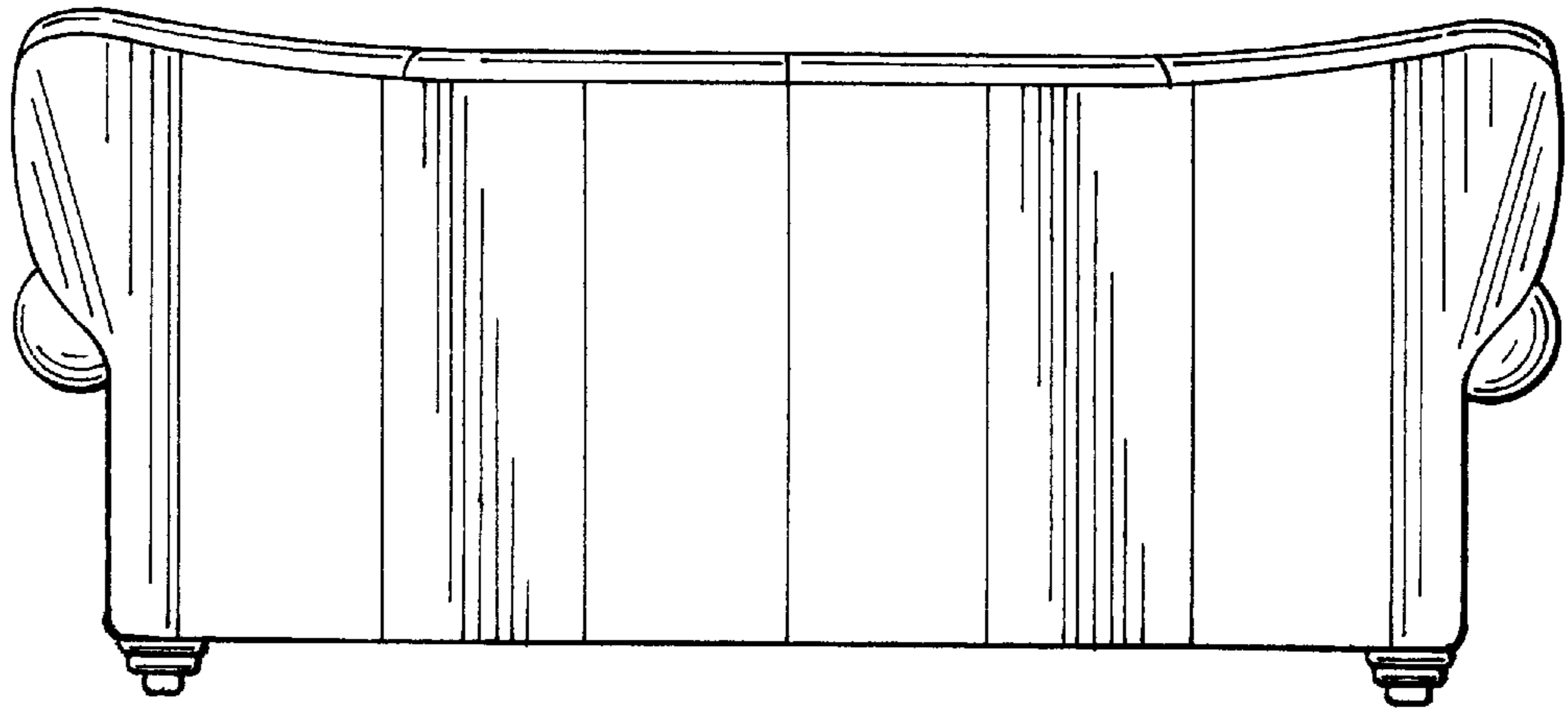


FIG.6

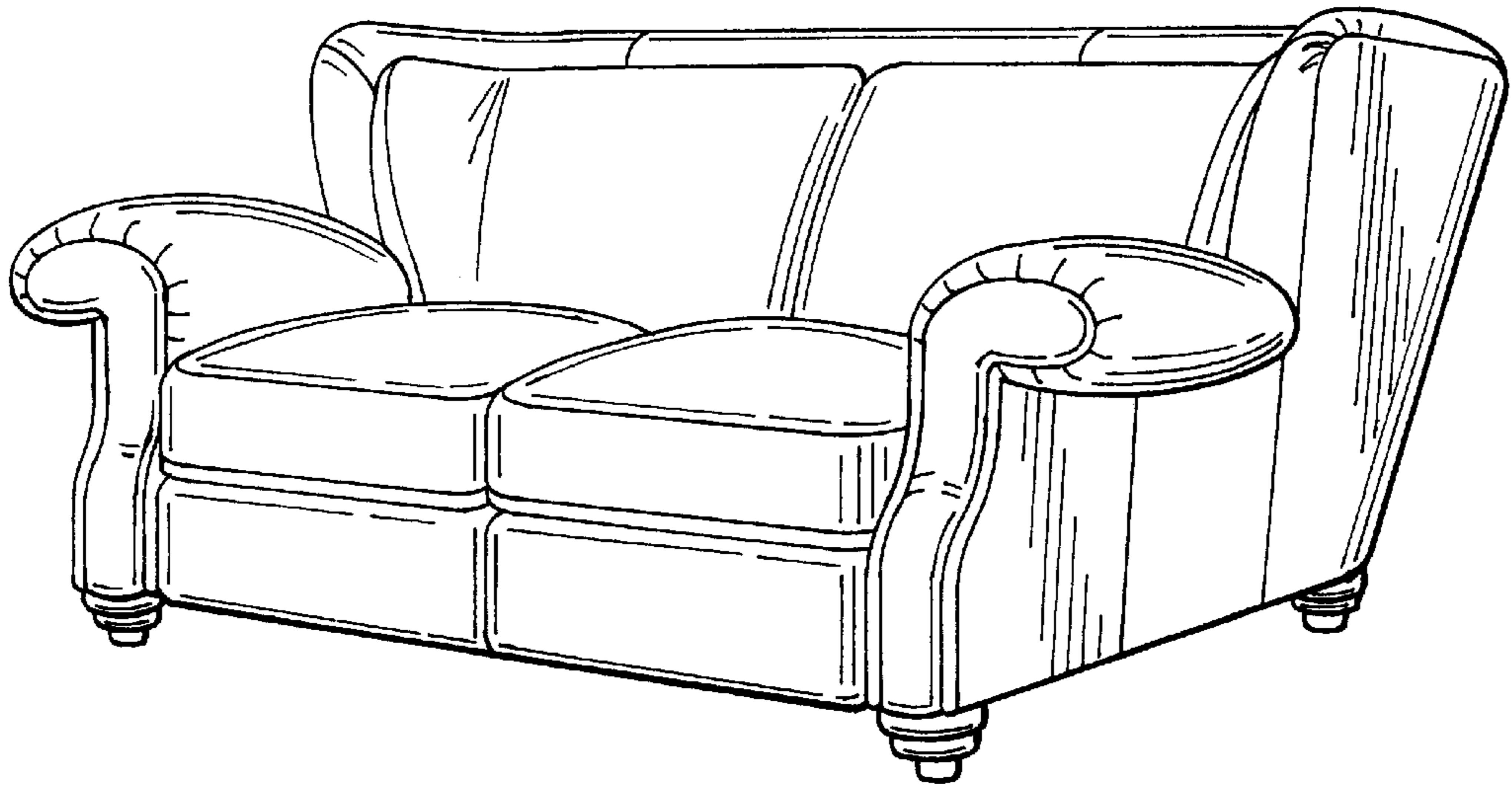


FIG.7

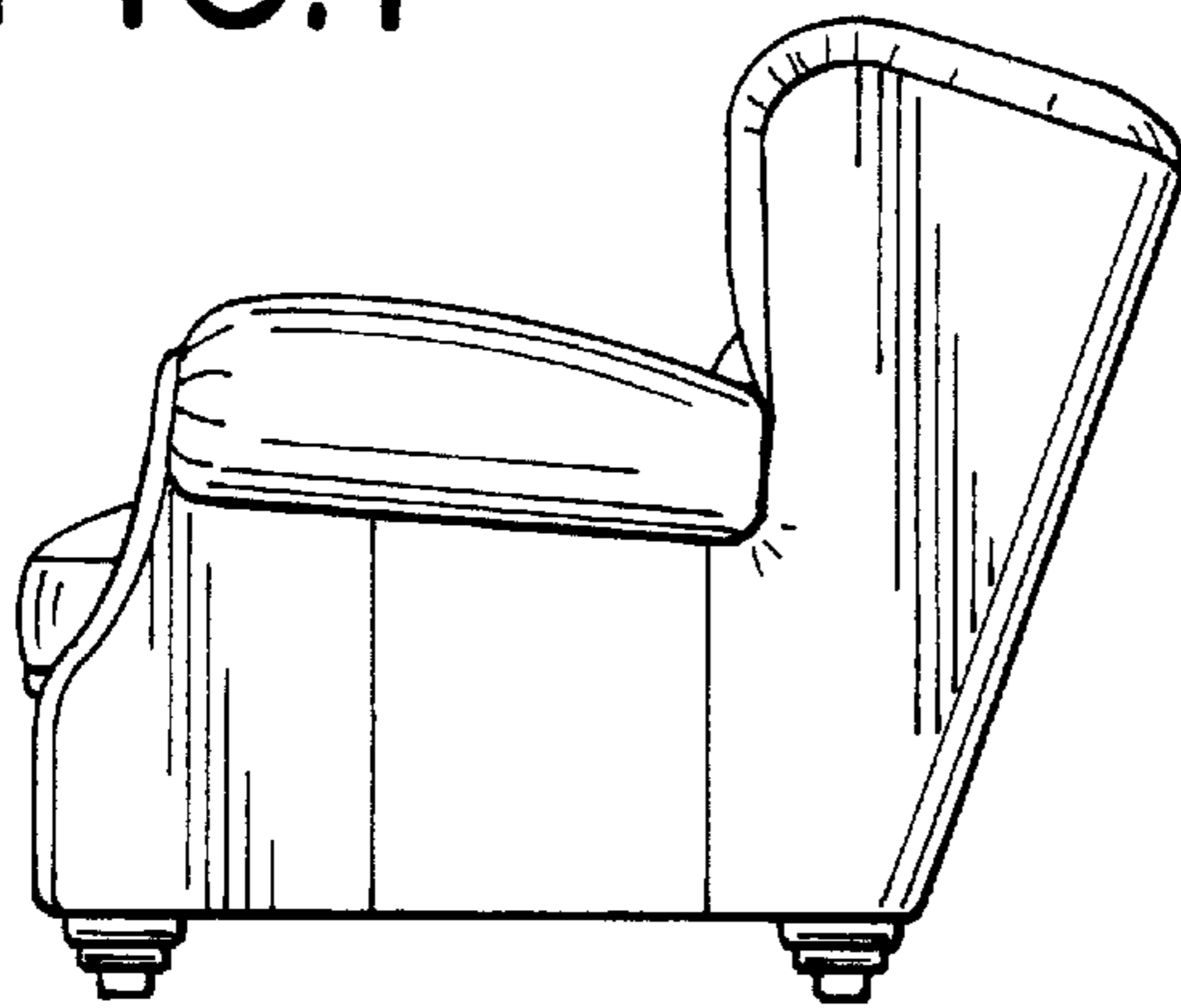


FIG.8

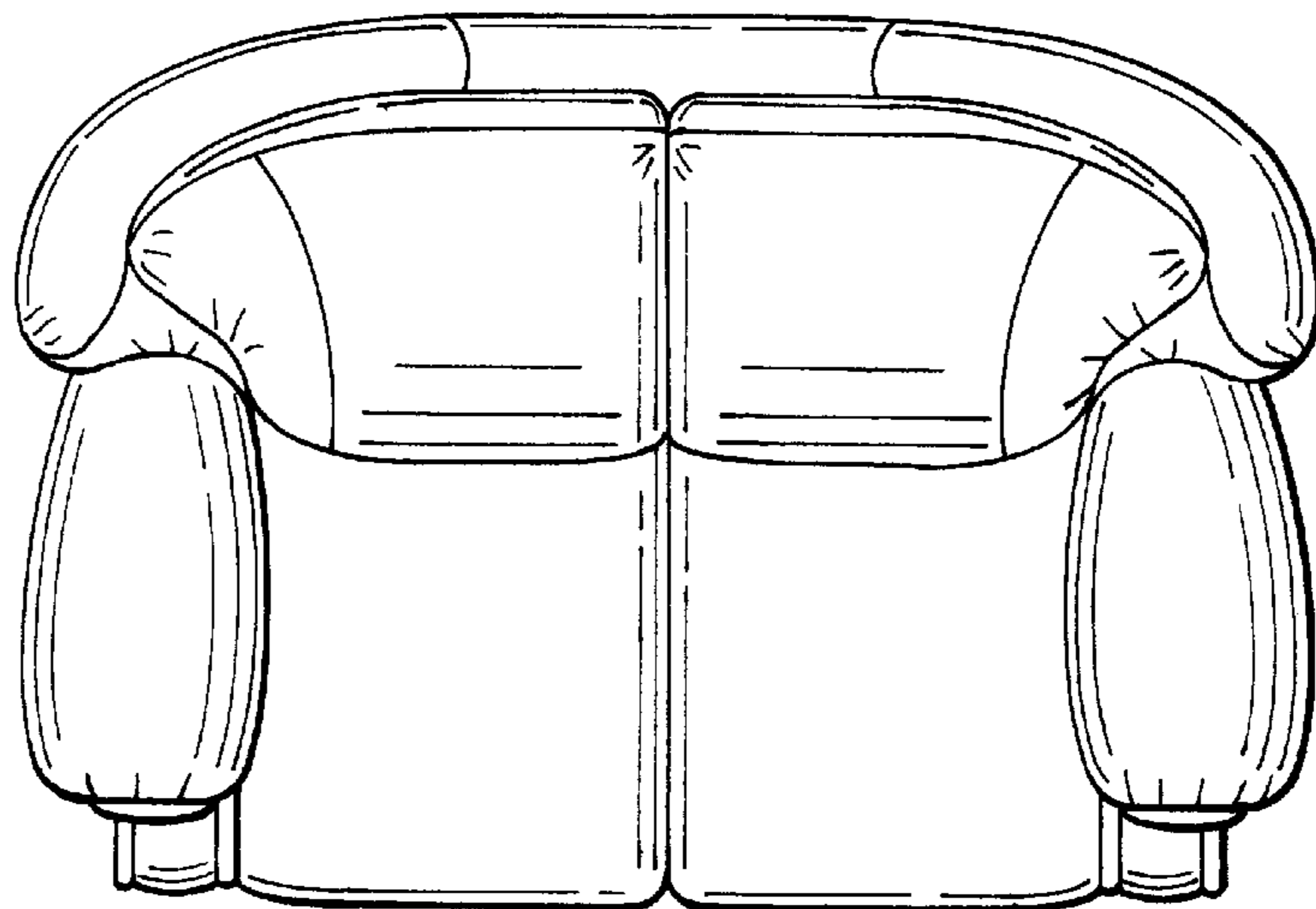


FIG. 9

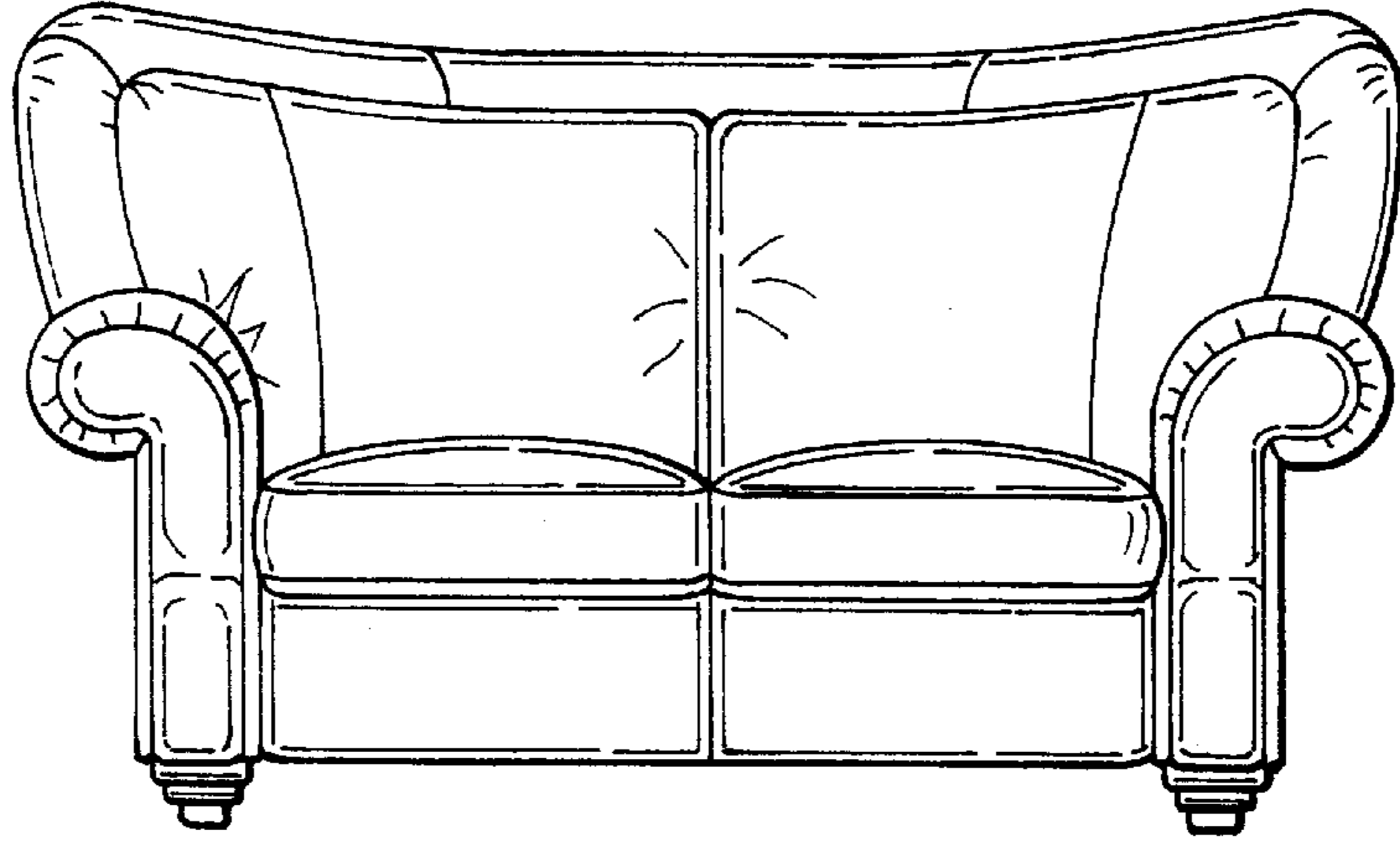


FIG. 10

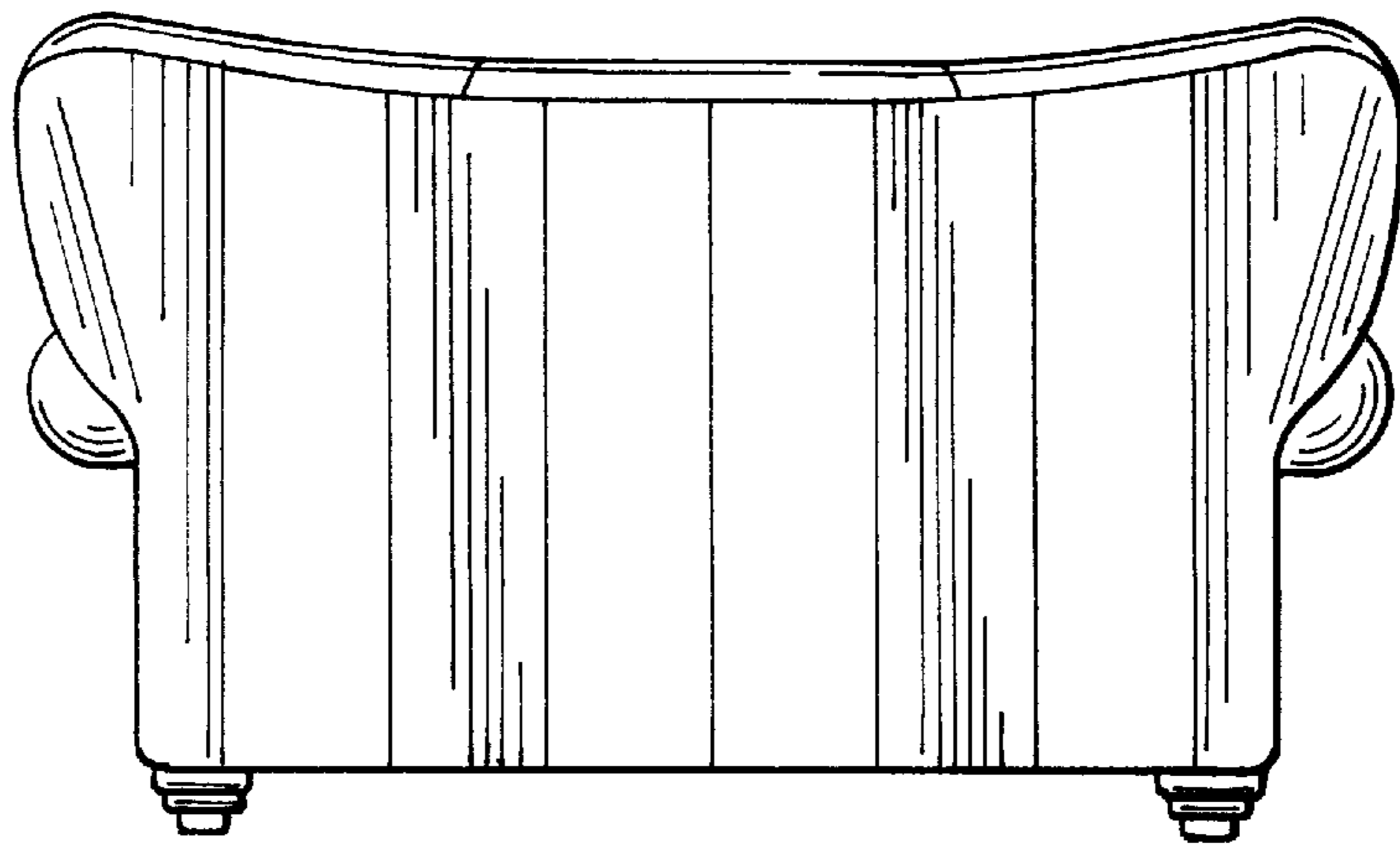


FIG.11

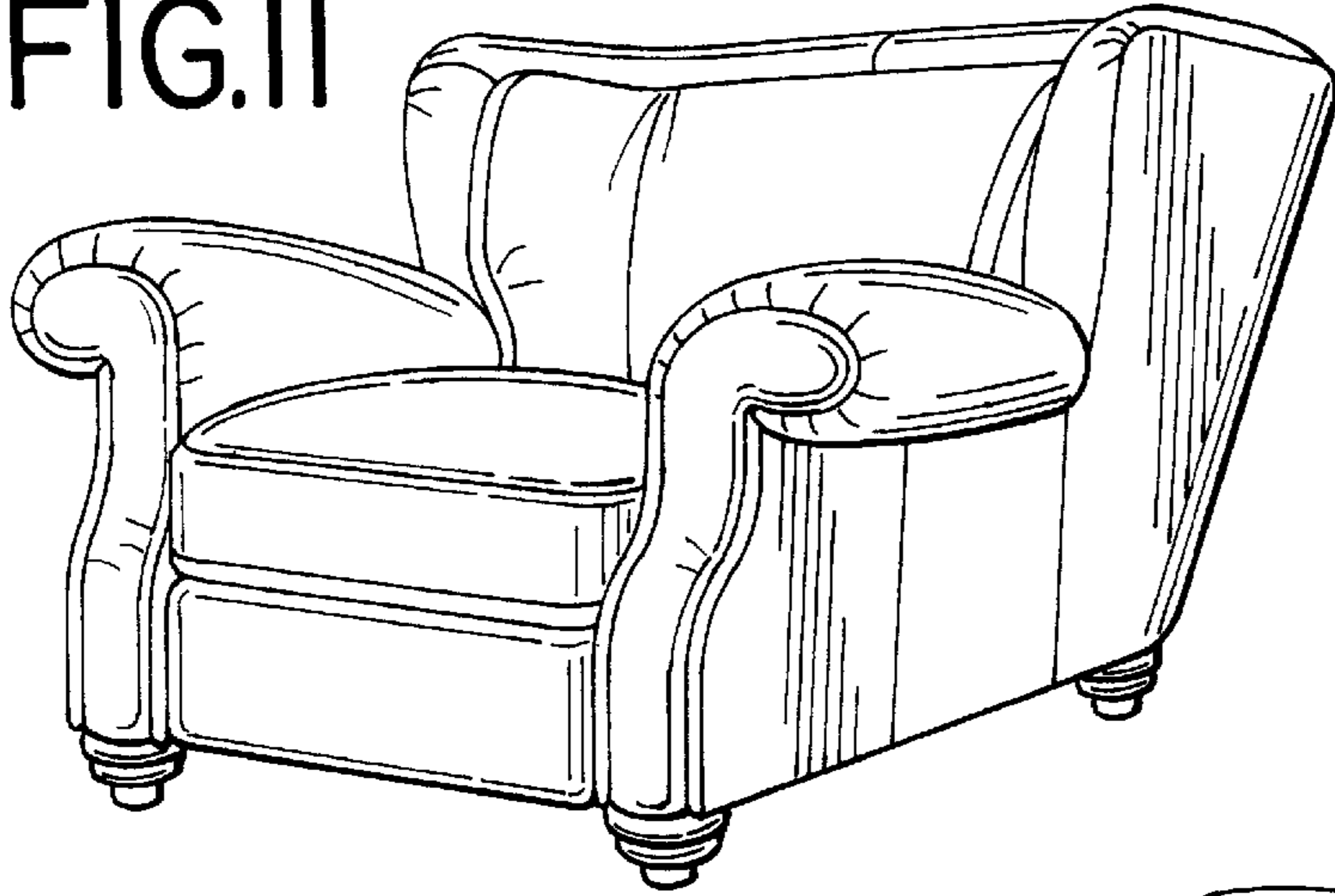


FIG.12

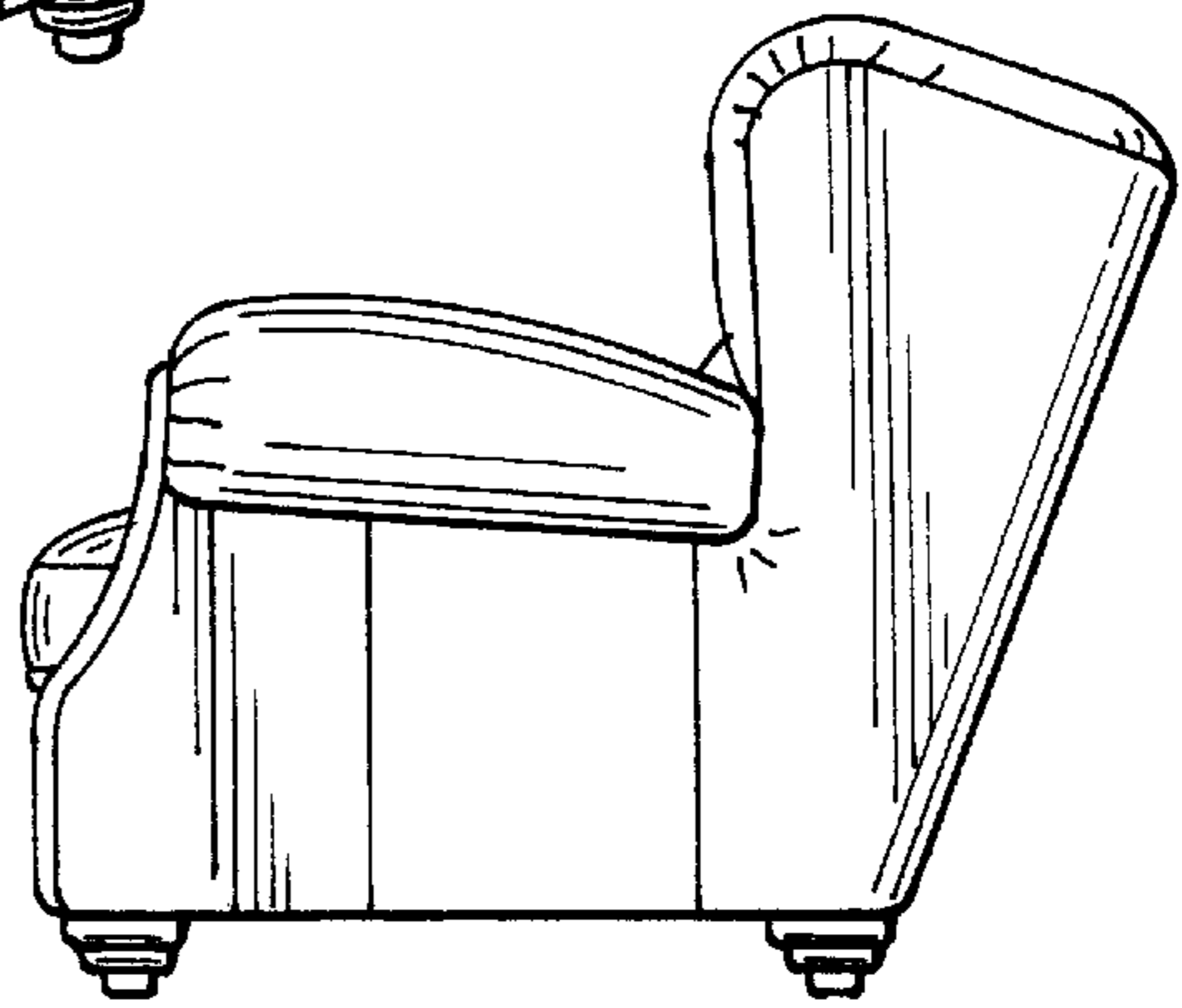


FIG.13

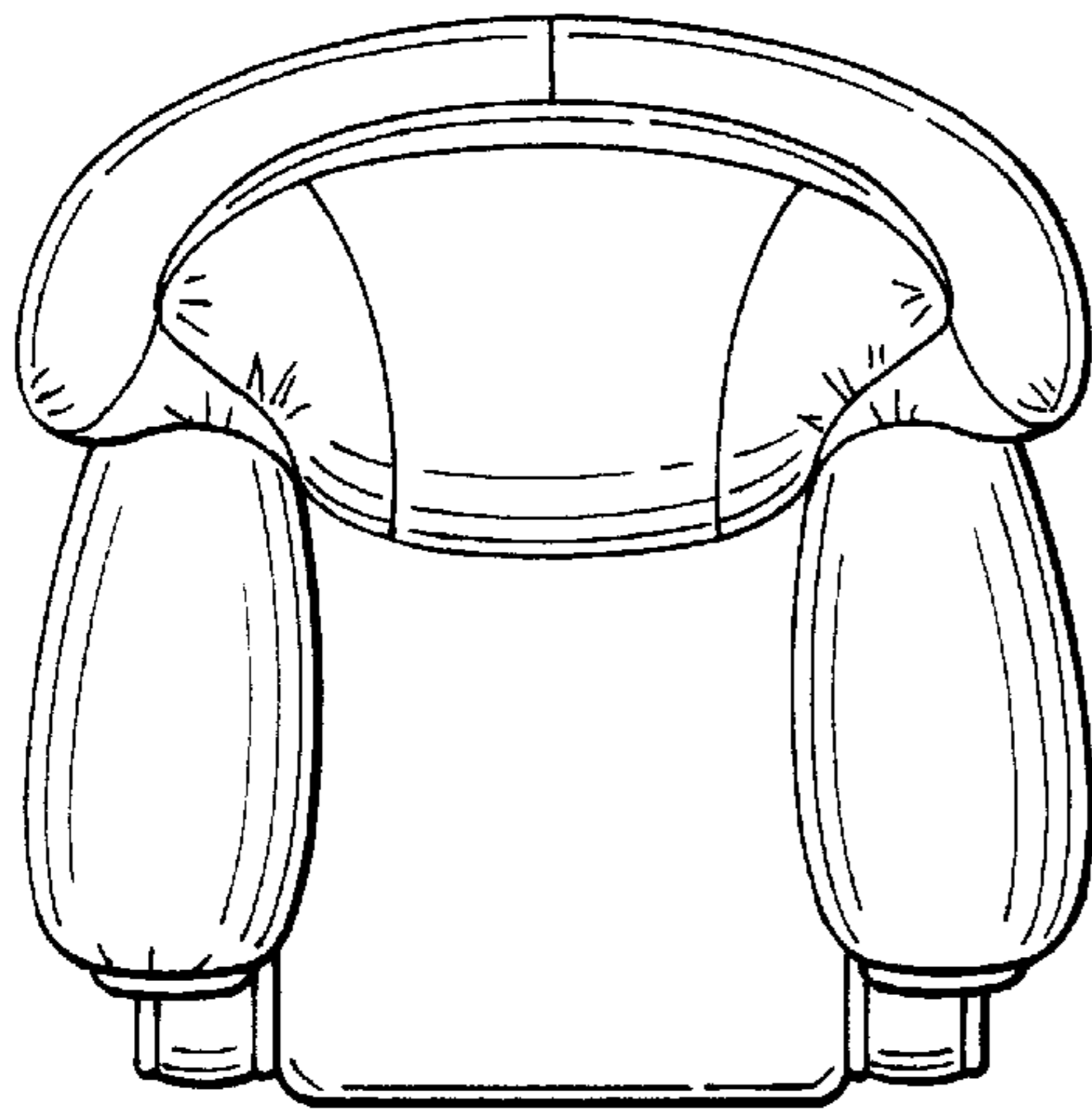


FIG.14

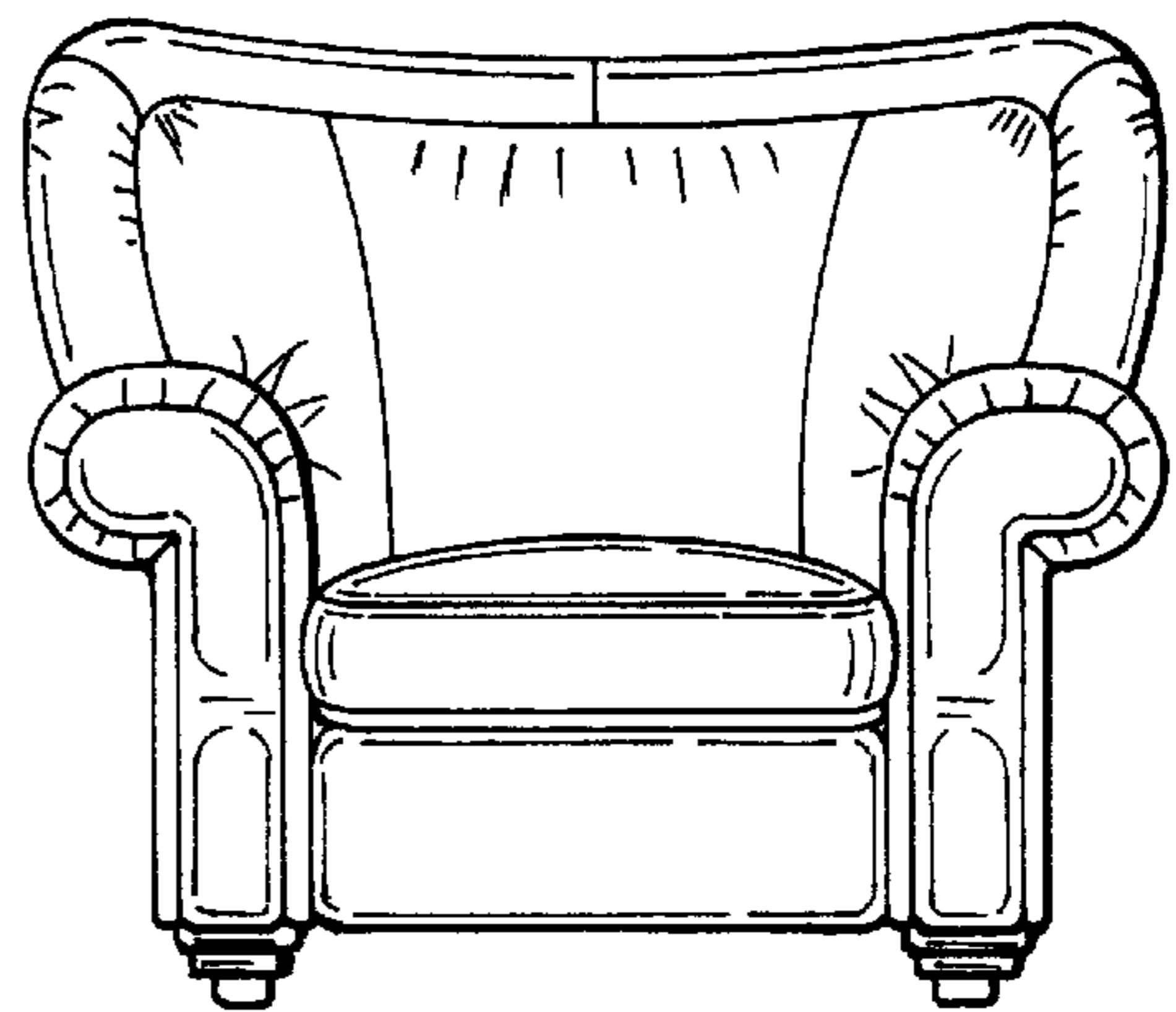


FIG.15

