



US00D406953S

# United States Patent [19] Riboldi

[11] **Patent Number: Des. 406,953**

[45] **Date of Patent: \*\*Mar. 23, 1999**

[54] **SEAT**

[75] Inventor: **Giulio Riboldi**, Briosco, Italy

[73] Assignee: **Flexsteel Industries, Inc.**, Dubuque, Iowa

[\*\*] Term: **14 Years**

[21] Appl. No.: **78,042**

[22] Filed: **Oct. 16, 1997**

[51] **LOC (6) Cl.** ..... **06-01**

[52] **U.S. Cl.** ..... **D6/381; D6/334**

[58] **Field of Search** ..... D6/334, 335, 336,  
D6/364, 371, 373, 381, 500, 501, 502;  
297/232, 445.1

[56] **References Cited**

**U.S. PATENT DOCUMENTS**

D. 350,034	8/1994	Natuzzi et al.	.....	D6/381
D. 367,187	2/1996	Natuzzi et al.	.....	D6/381
D. 369,479	5/1996	Natuzzi et al.	.....	D6/381
D. 373,484	9/1996	Natuzzi et al.	.....	D6/381
D. 373,485	9/1996	Natuzzi et al.	.....	D6/381
D. 383,619	9/1997	Culler	.....	D6/381
D. 385,121	10/1997	Natuzzi et al.	.....	D6/381
D. 388,631	1/1998	Natuzzi et al.	.....	D6/381
D. 388,971	1/1998	Natuzzi et al.	.....	D6/381
D. 393,759	4/1998	Natuzzi et al.	.....	D6/381

*Primary Examiner*—Gary D. Watson

*Attorney, Agent, or Firm*—Lee, Mann, Smith, McWilliams, Sweeney & Ohlson

[57] **CLAIM**

The ornamental design for a seat, as shown and described.

**DESCRIPTION**

FIG. 1 is a perspective of a seat, showing my new design in the form of a sofa;

FIG. 2 is a left side elevational view, the right side being a mirror image thereof;

FIG. 3 is a top plan view thereof;

FIG. 4 is a front elevational view thereof;

FIG. 5 is a rear elevational view thereof;

FIG. 6 is a perspective view of a second embodiment of a seat, showing my new design in the form of a love seat;

FIG. 7 is a left side elevational view, the right side being a mirror image thereof;

FIG. 8 is a top plan view thereof;

FIG. 9 is a front elevational view thereof;

FIG. 10 is a rear elevational view thereof;

FIG. 11 is a perspective view of a third embodiment of a seat, showing my new design in the form of a chair;

FIG. 12 is a left side elevational view, the right side being a mirror image thereof;

FIG. 13 is a top plan view thereof;

FIG. 14 is a front elevational view thereof; and,

FIG. 15 is a rear elevational view thereof.

**1 Claim, 5 Drawing Sheets**

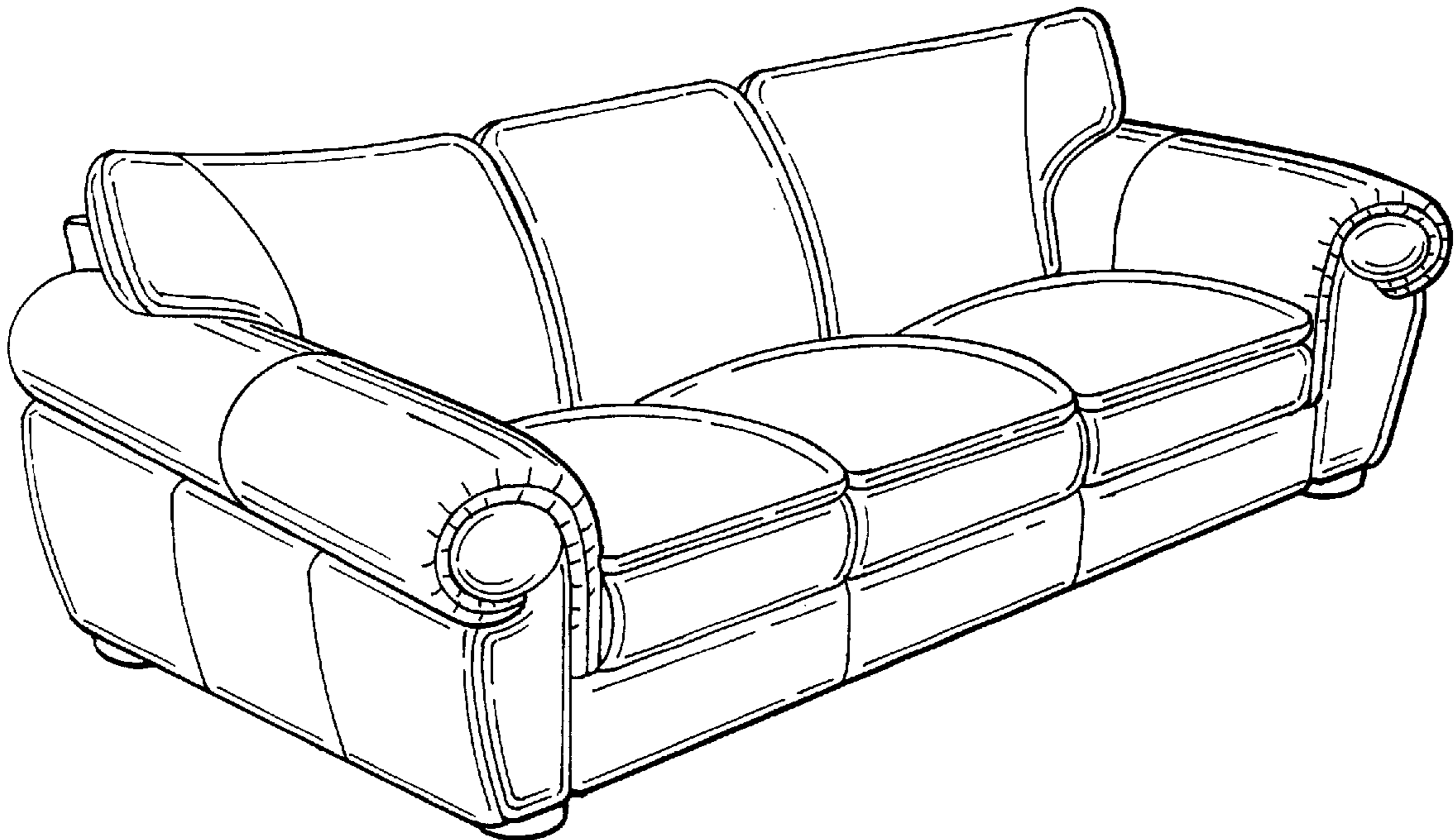


FIG.1

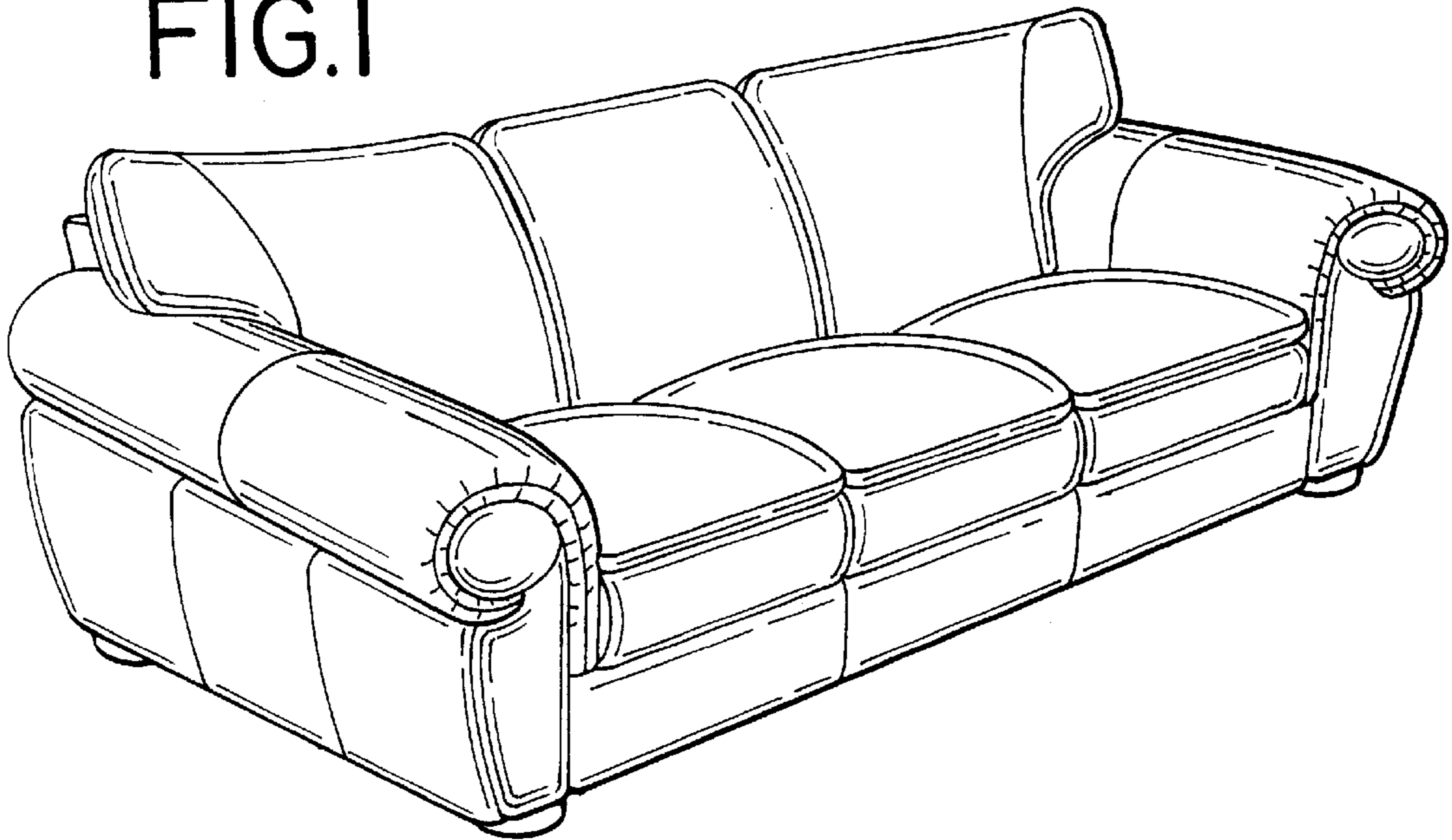


FIG.2

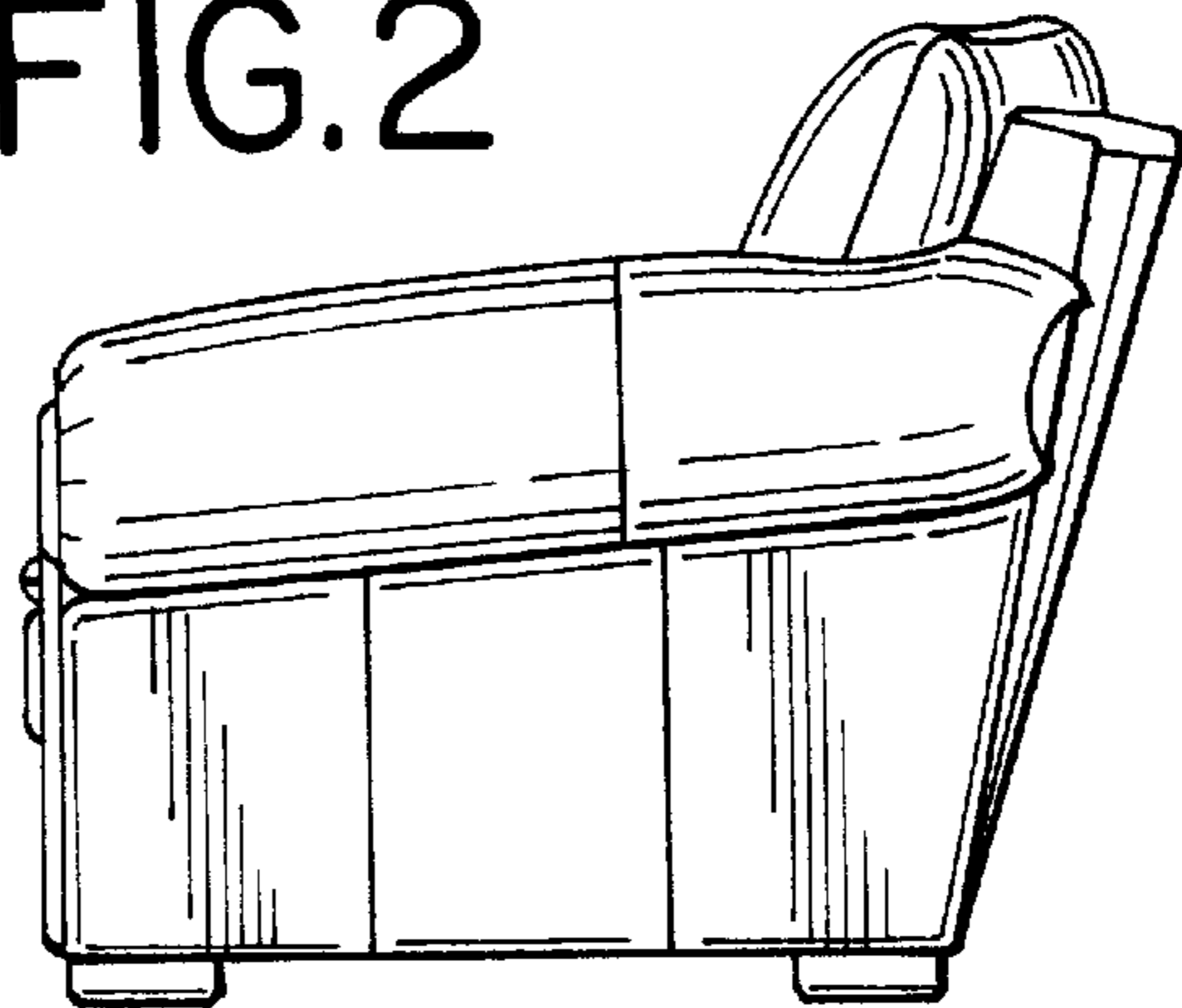


FIG.3

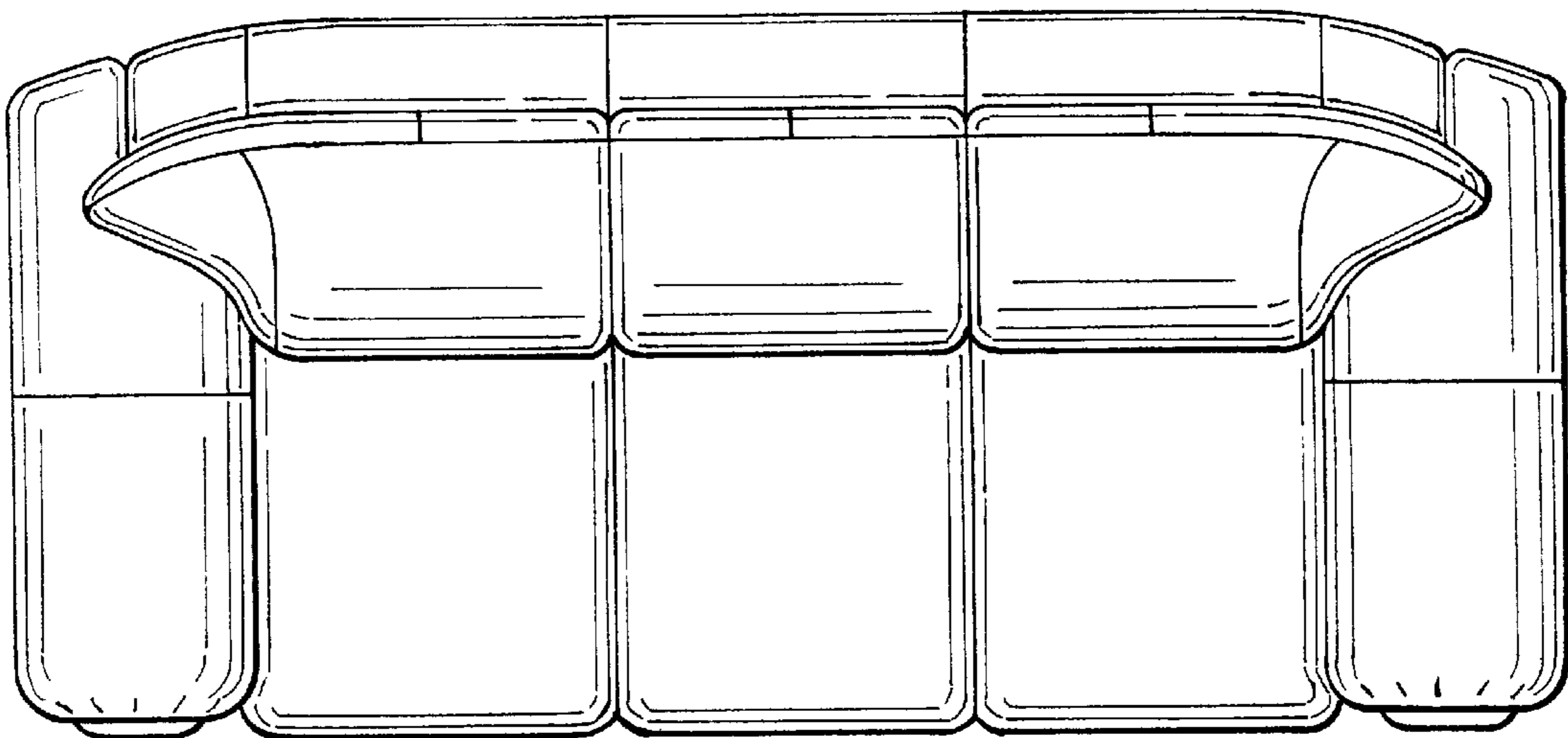


FIG.4

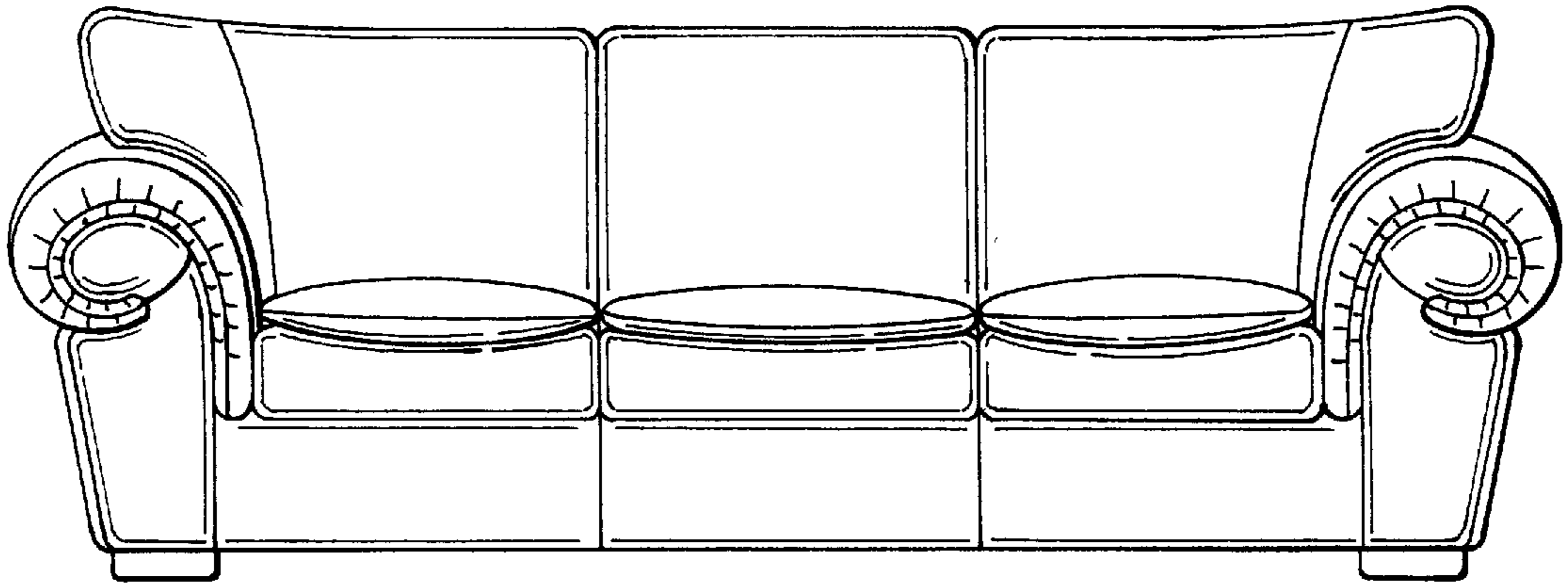


FIG.5

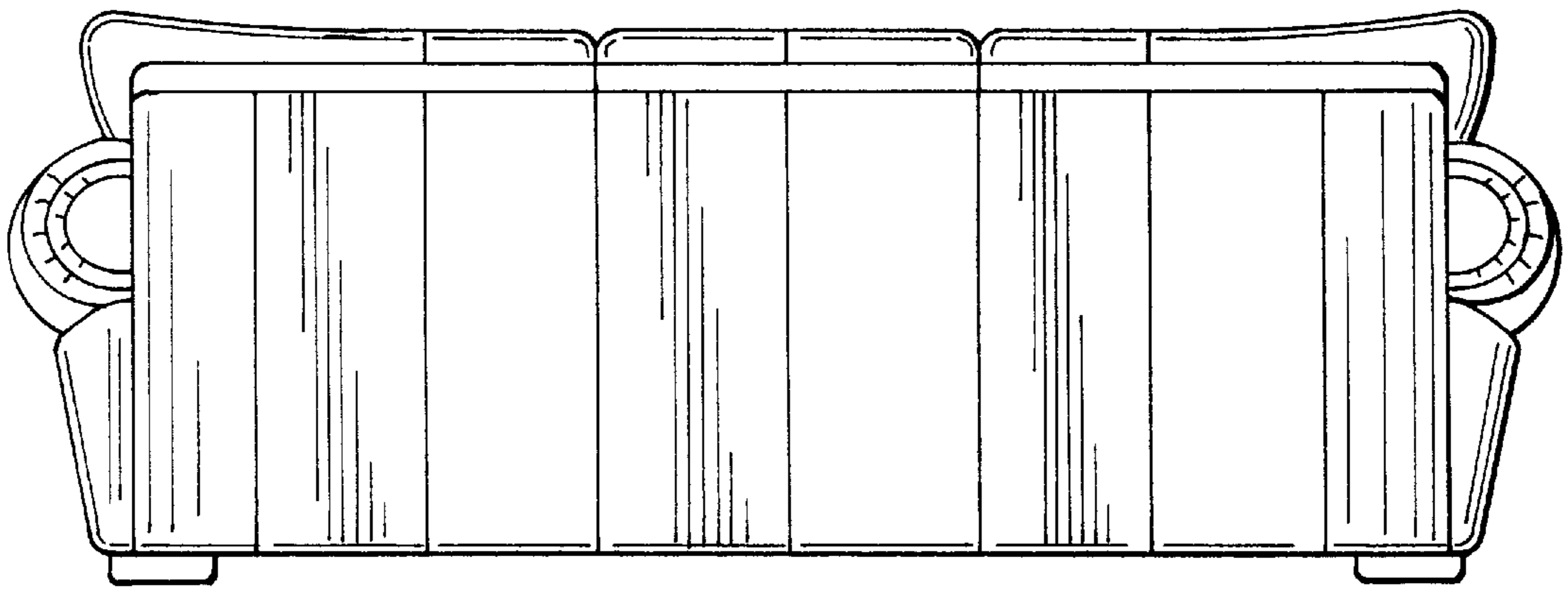


FIG.6

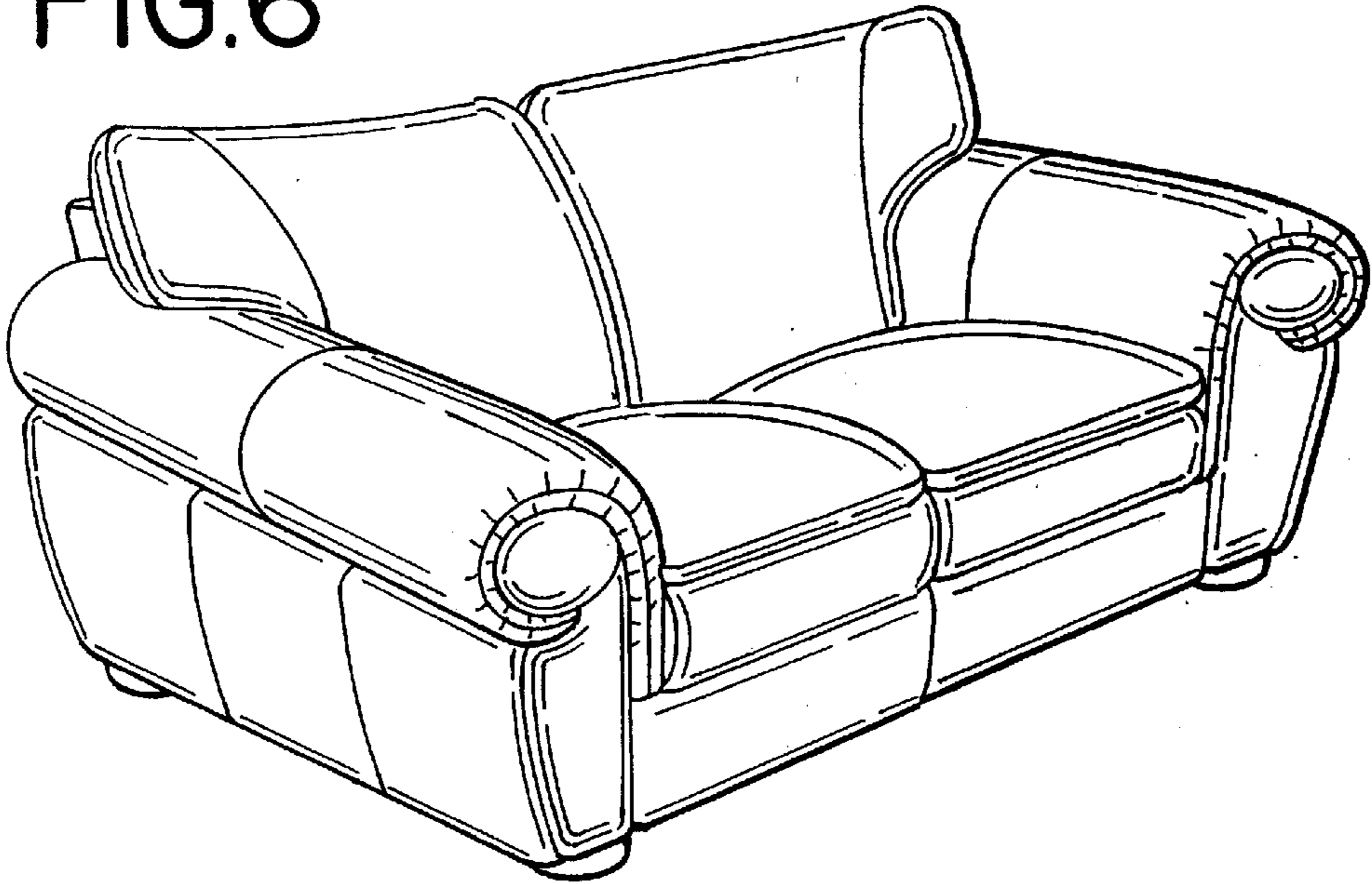


FIG.7

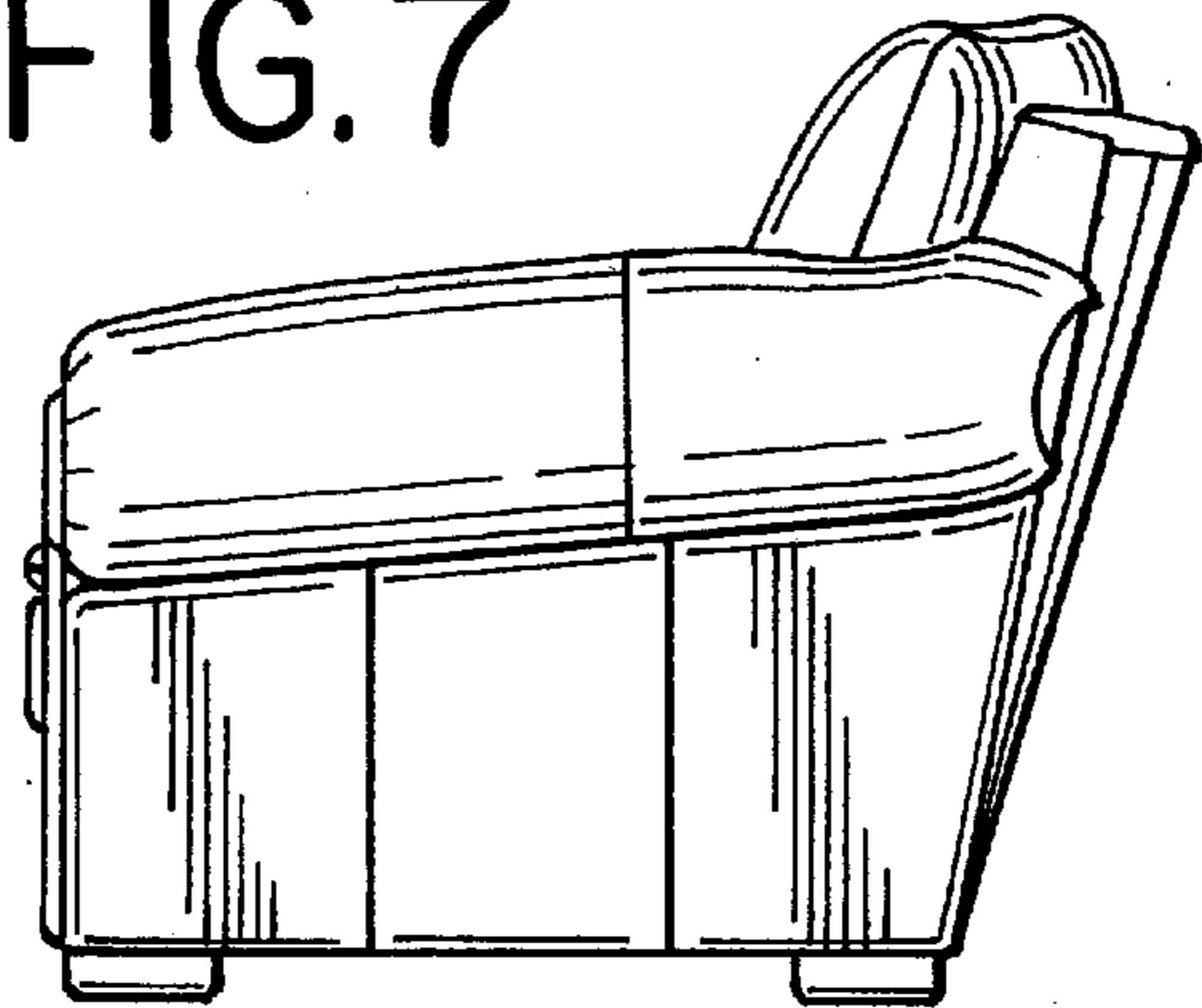


FIG.8

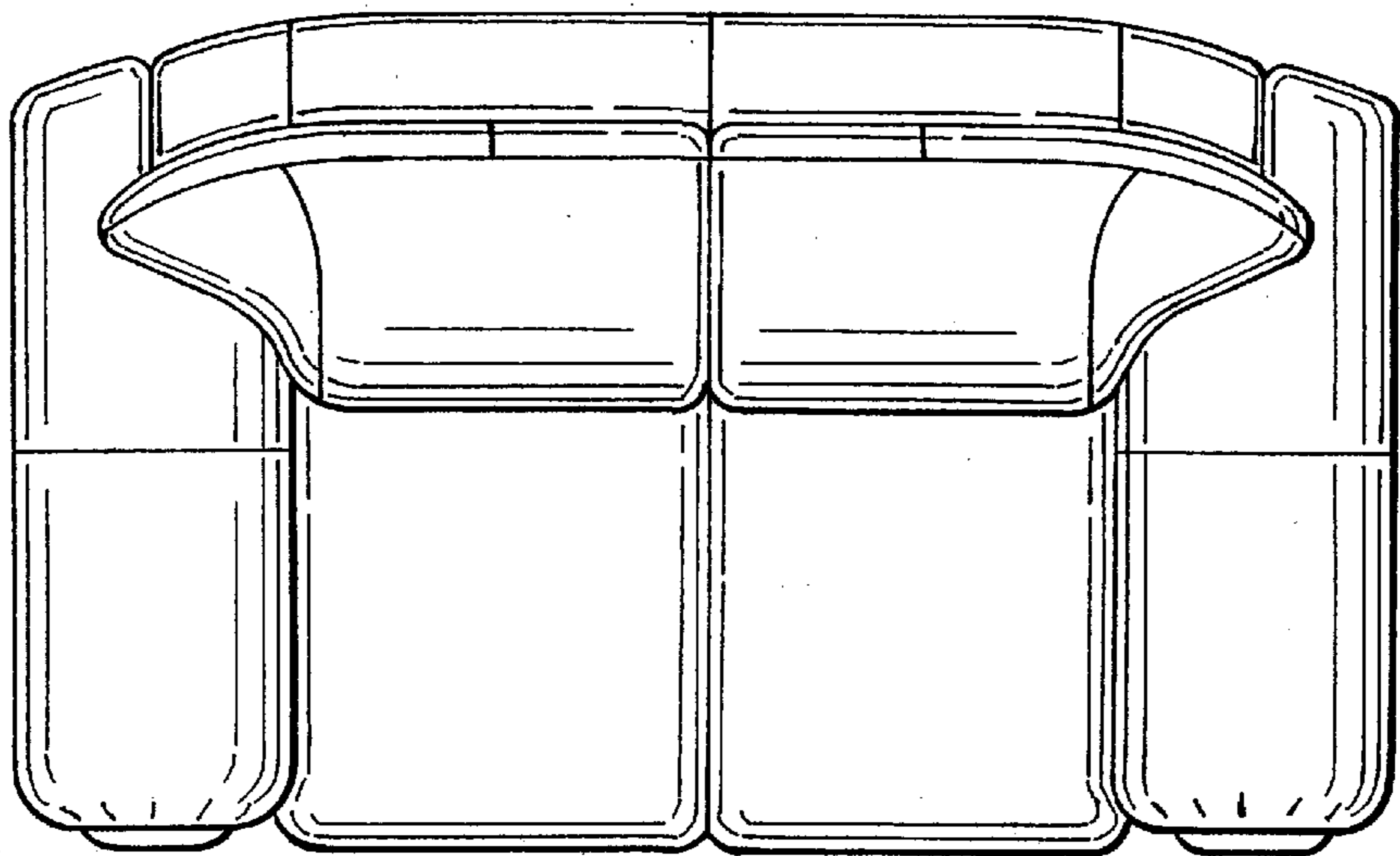


FIG.9

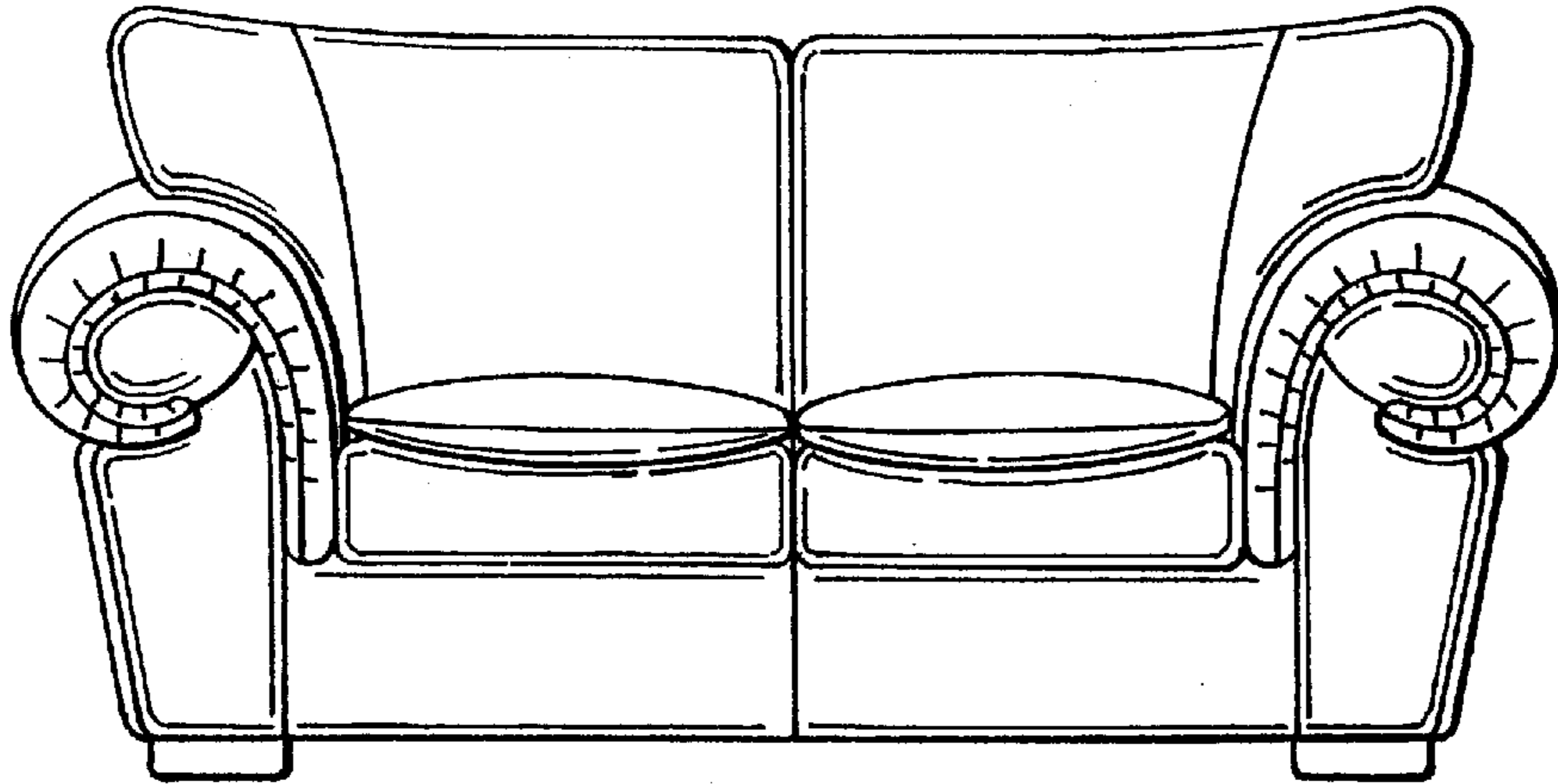


FIG.10

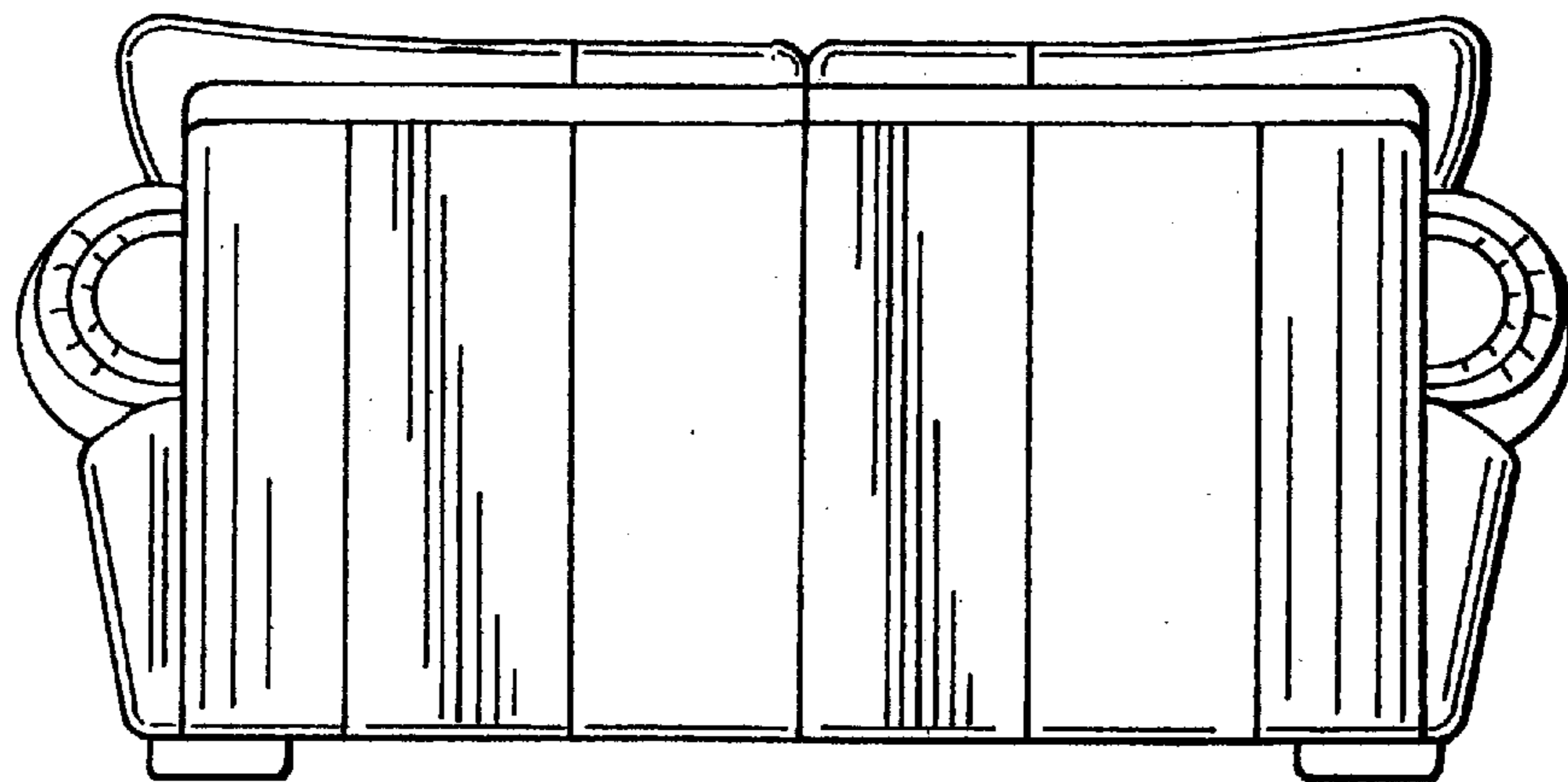


FIG.11

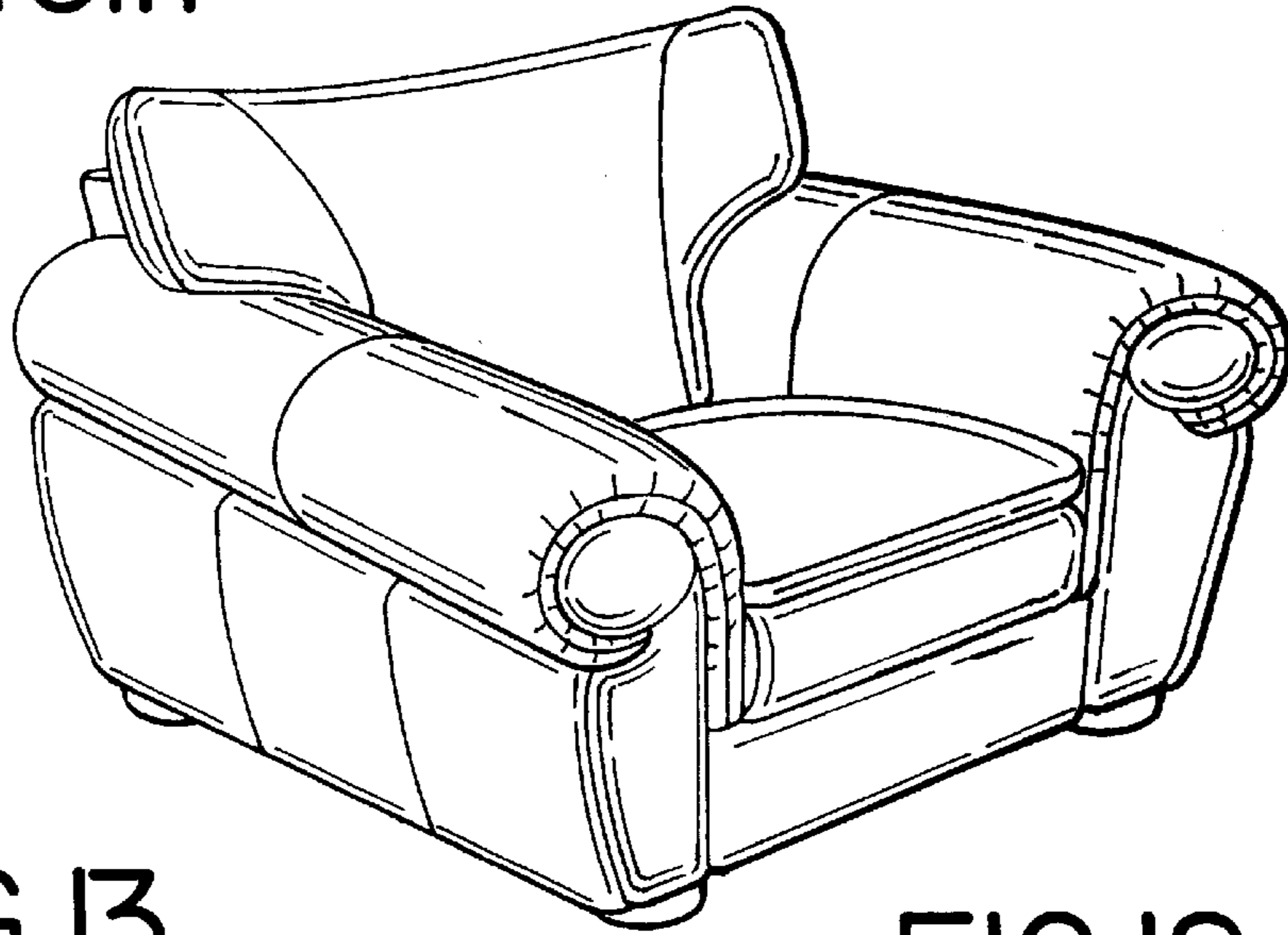


FIG.13

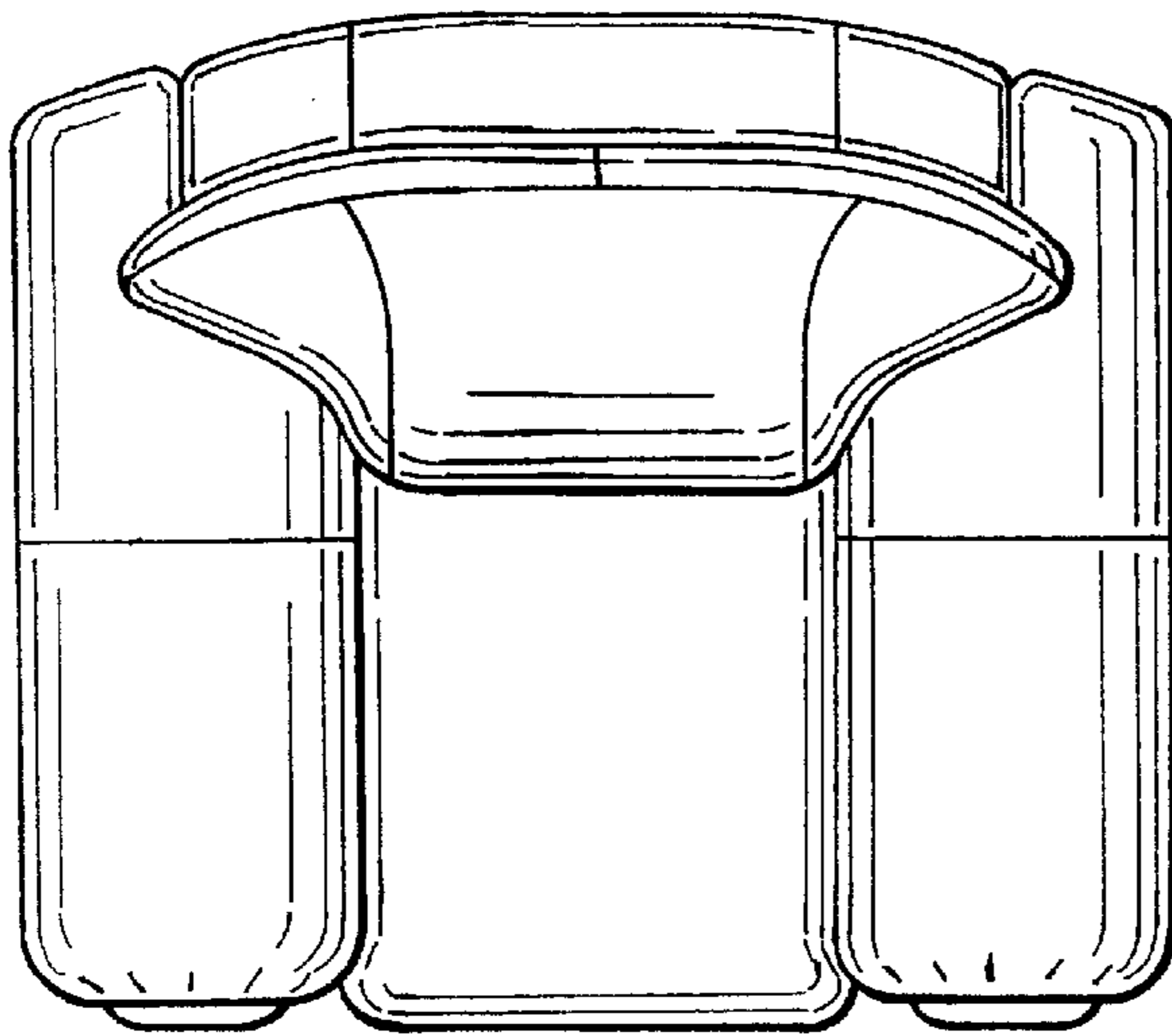


FIG.12

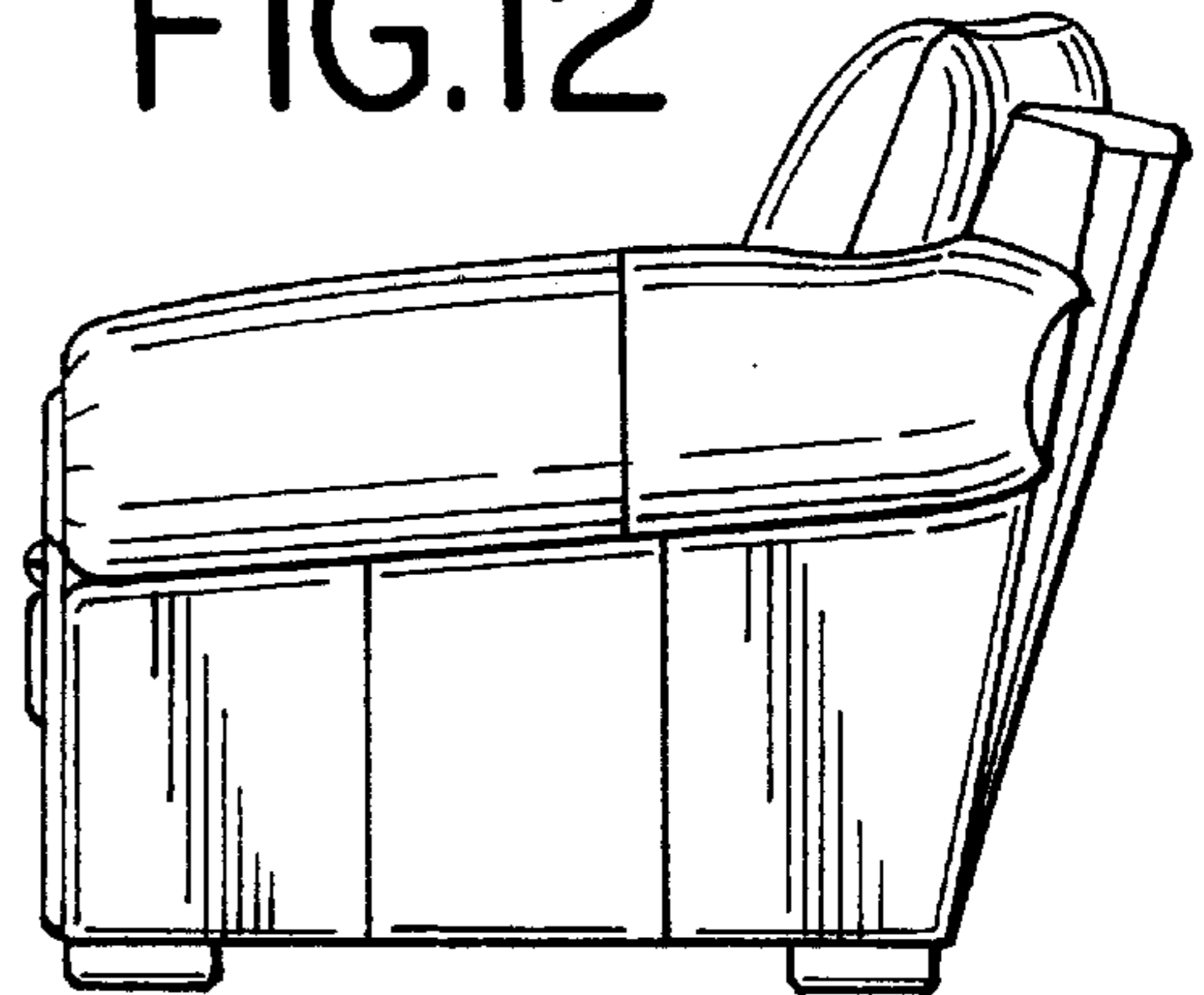


FIG.14

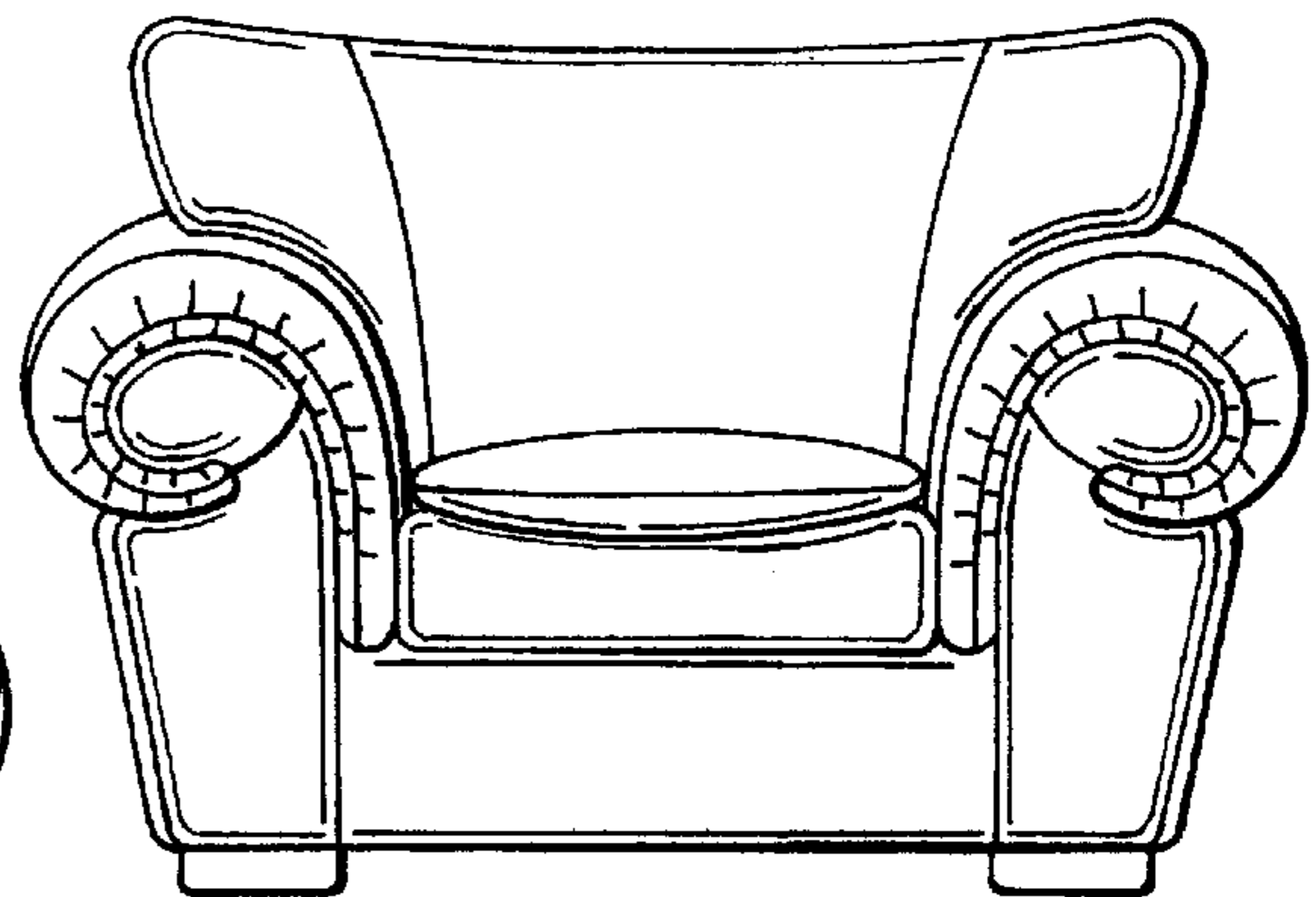


FIG.15

