



US00D406947S

United States Patent [19]

Wang

[11] Patent Number: Des. 406,947

[45] Date of Patent: **Mar. 23, 1999

[54] **GLIDER ROCKER WITH RATTAN SEAT AND BACK**

[76] Inventor: Rocky Shu-Fu Wang, 4F, No. 4, Alley 21, Lane 106, Ming-Chueng E. Rd., Sec. 3, Taipei, Taiwan

[**] Term: 14 Years

[21] Appl. No.: 82,100

[22] Filed: Jan. 14, 1998

[51] LOC (6) Cl. 06-01

[52] U.S. Cl. D6/344

[58] Field of Search D6/334, 335, 344, D6/347, 369, 379, 500, 201, 502; 248/370; 297/259.3, 270.1, 273, 281, 287

[56] **References Cited**

U.S. PATENT DOCUMENTS

D. 289,237	4/1987	Arthur, Jr.	D6/379
D. 362,969	10/1995	Desnoyers	D6/344
D. 373,684	9/1996	Desnoyers	D6/344
D. 391,409	3/1998	Brooks	D6/344

OTHER PUBLICATIONS

Furniture Today, p. 19, Chair by Holland House at mid-page right, Oct. 20, 1997.

Primary Examiner—Gary D. Watson

Attorney, Agent, or Firm—Varndell Legal Group

[57] **CLAIM**

The ornamental design for a glider rocker with rattan seat and back, as shown and described.

DESCRIPTION

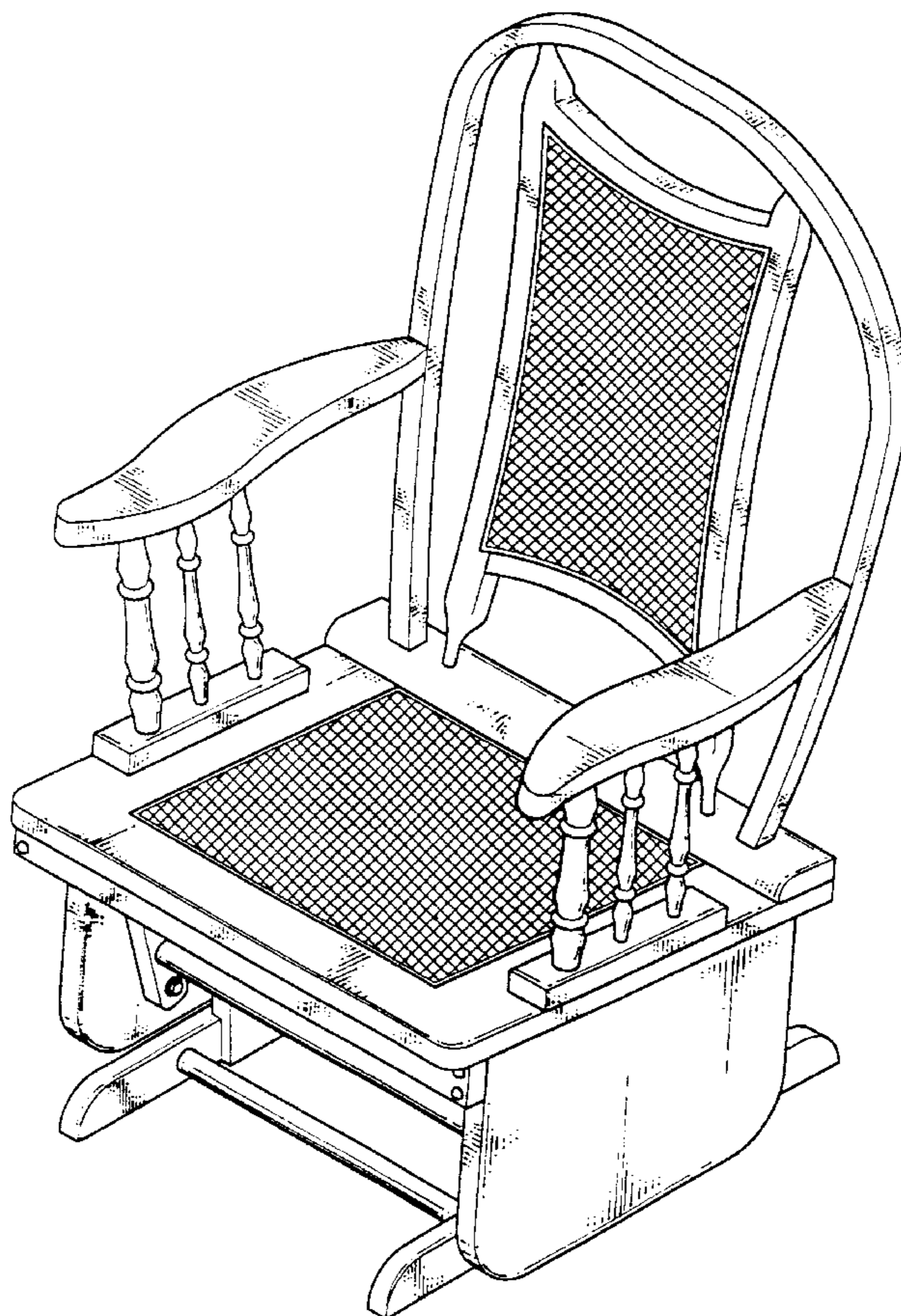
FIG. 1 is a perspective view of glider rocker with rattan seat and back showing the first embodiment of my new design; FIG. 2 is a front elevational view of the first embodiment; FIG. 3 is a rear elevational view of the first embodiment; FIG. 4 is a left side view of the first embodiment; FIG. 5 is a right side view of the first embodiment; FIG. 6 is a top plan view of the first embodiment; and FIG. 7 is a bottom plan view thereof.

FIG. 8 is a perspective view of glider rocker having cushion with rattan seat and back showing the second embodiment of my new design;

FIG. 9 is a front elevational view of the second embodiment; FIG. 10 is a rear elevational view of the second embodiment; FIG. 11 is a left side view of the second embodiment; FIG. 12 is a right side view of the second embodiment; FIG. 13 is a top plan view of the second embodiment; and, FIG. 14 is a bottom plan view thereof.

The fragmented cross-hatching shown on the seat and backrest cushions in FIGS. 8 through 13 is understood to represent fabric and would be continuous throughout the implied areas.

1 Claim, 14 Drawing Sheets



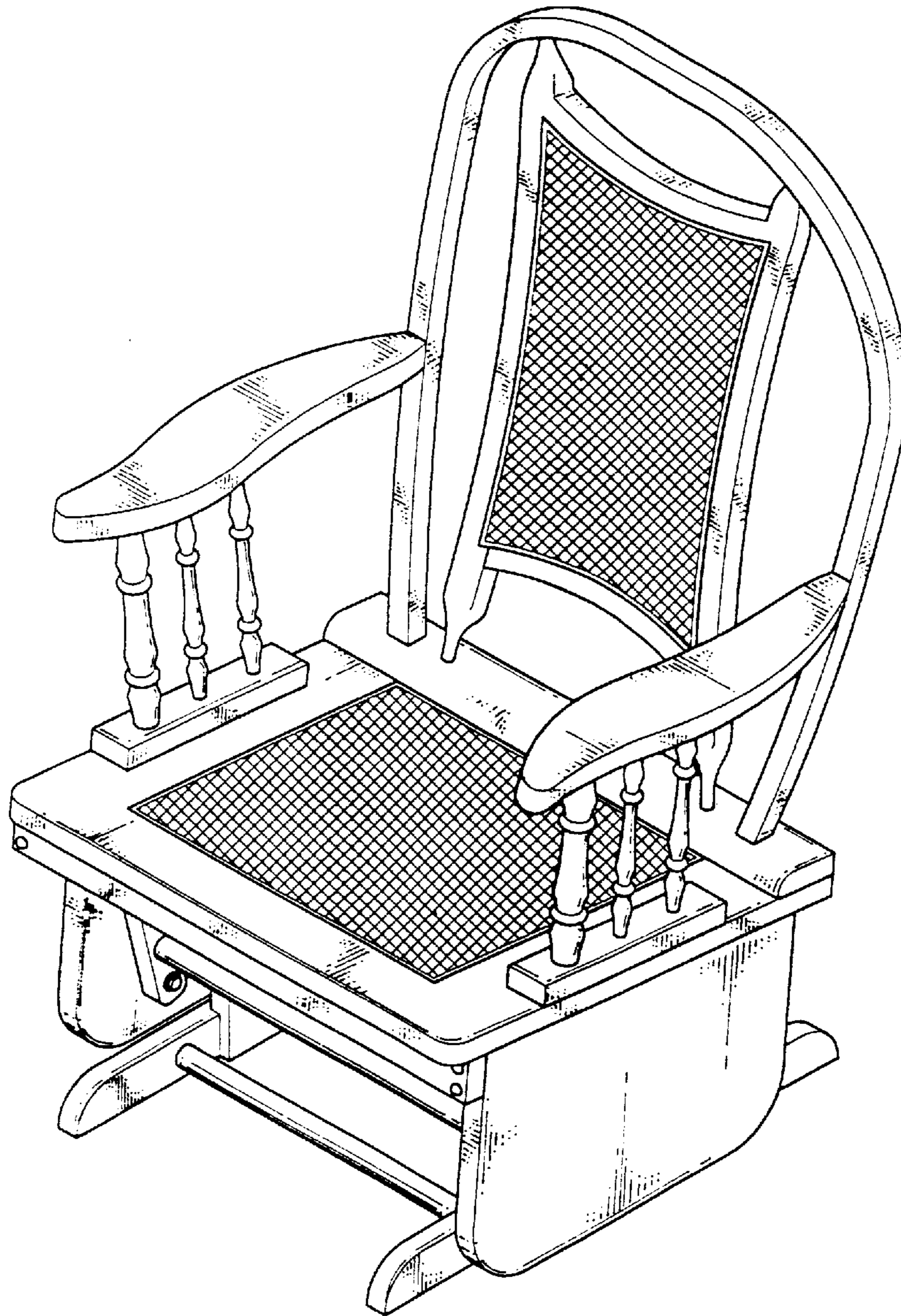


FIG. 1

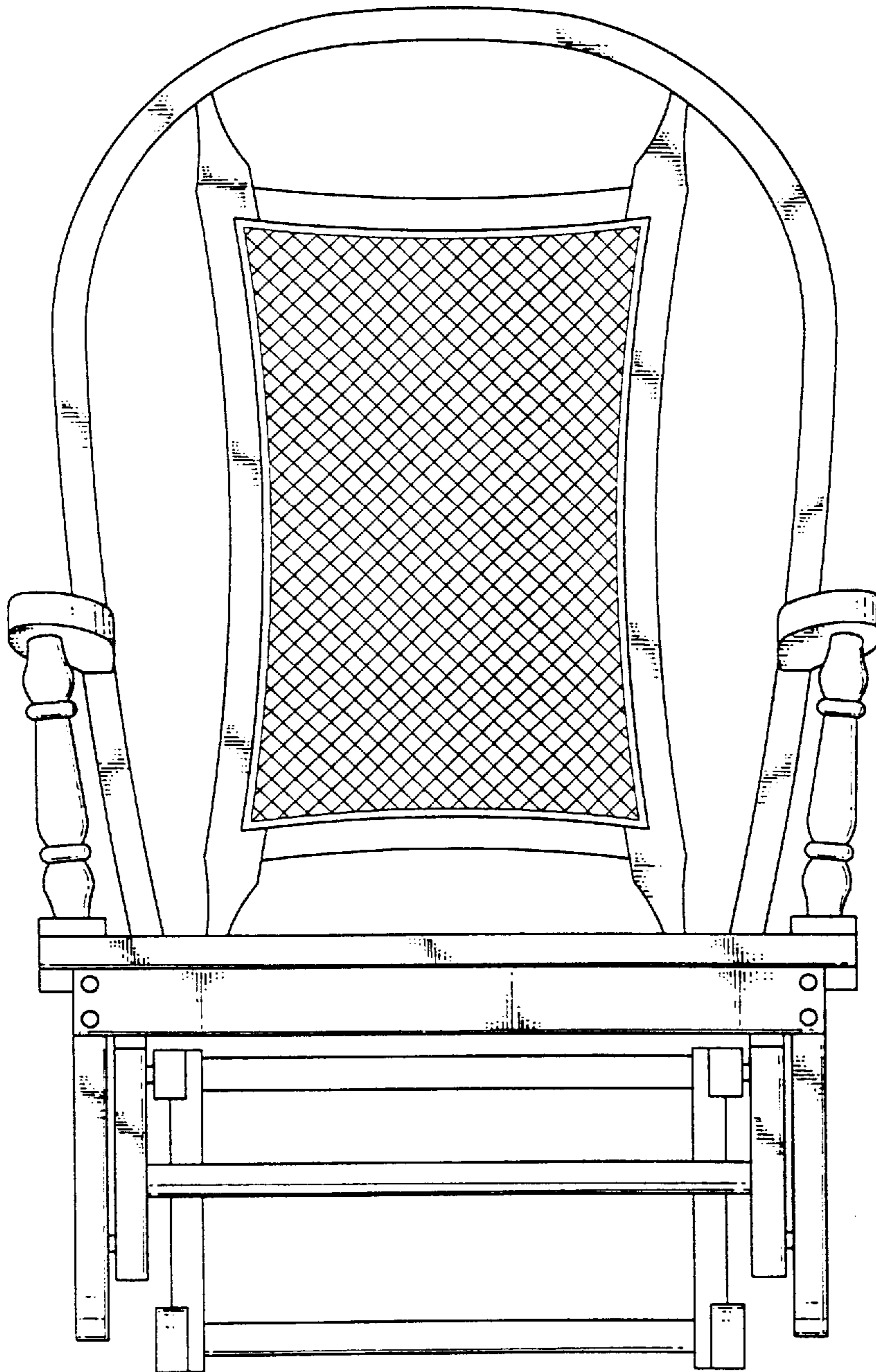


FIG. 2

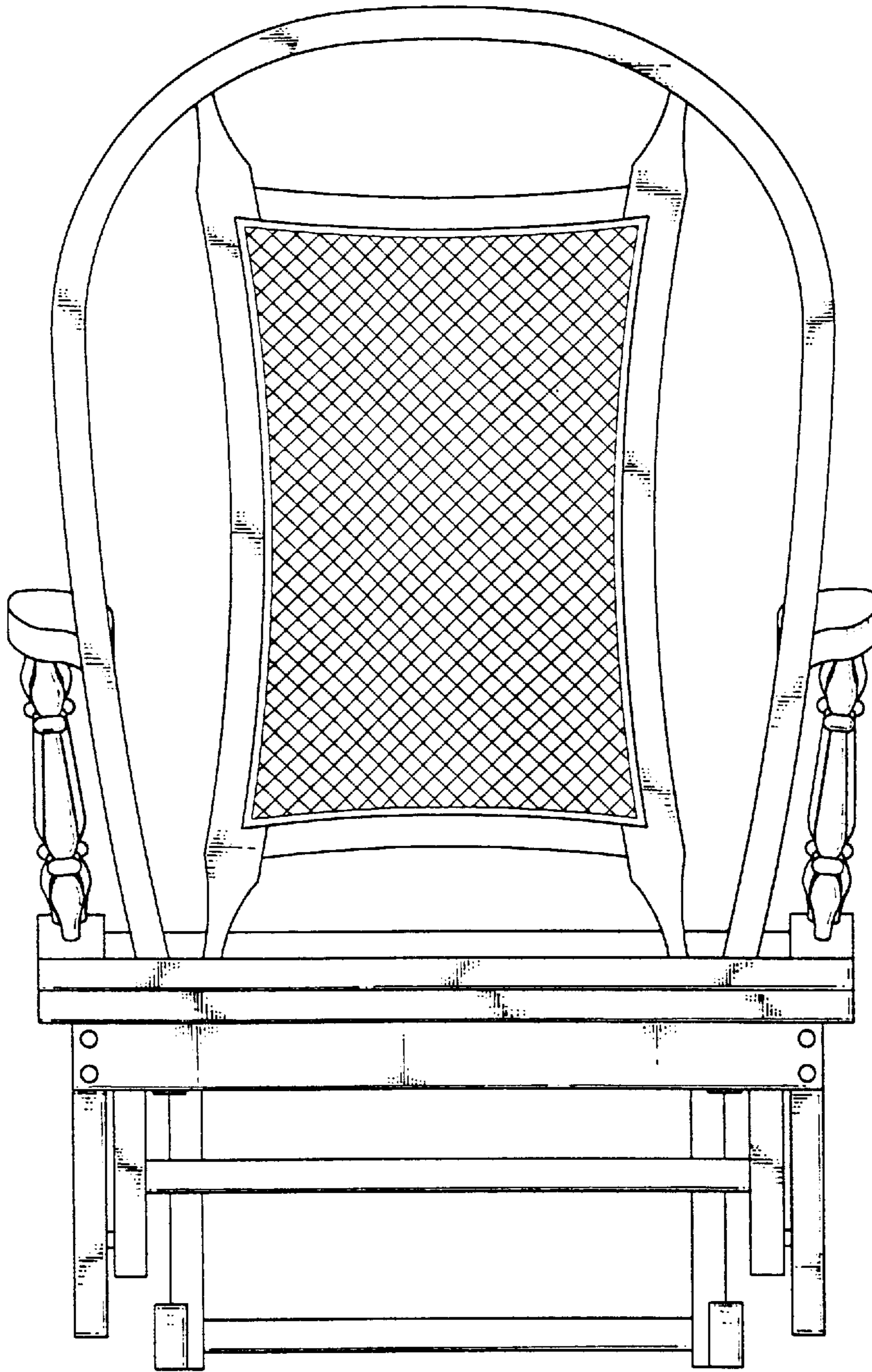


FIG. 3

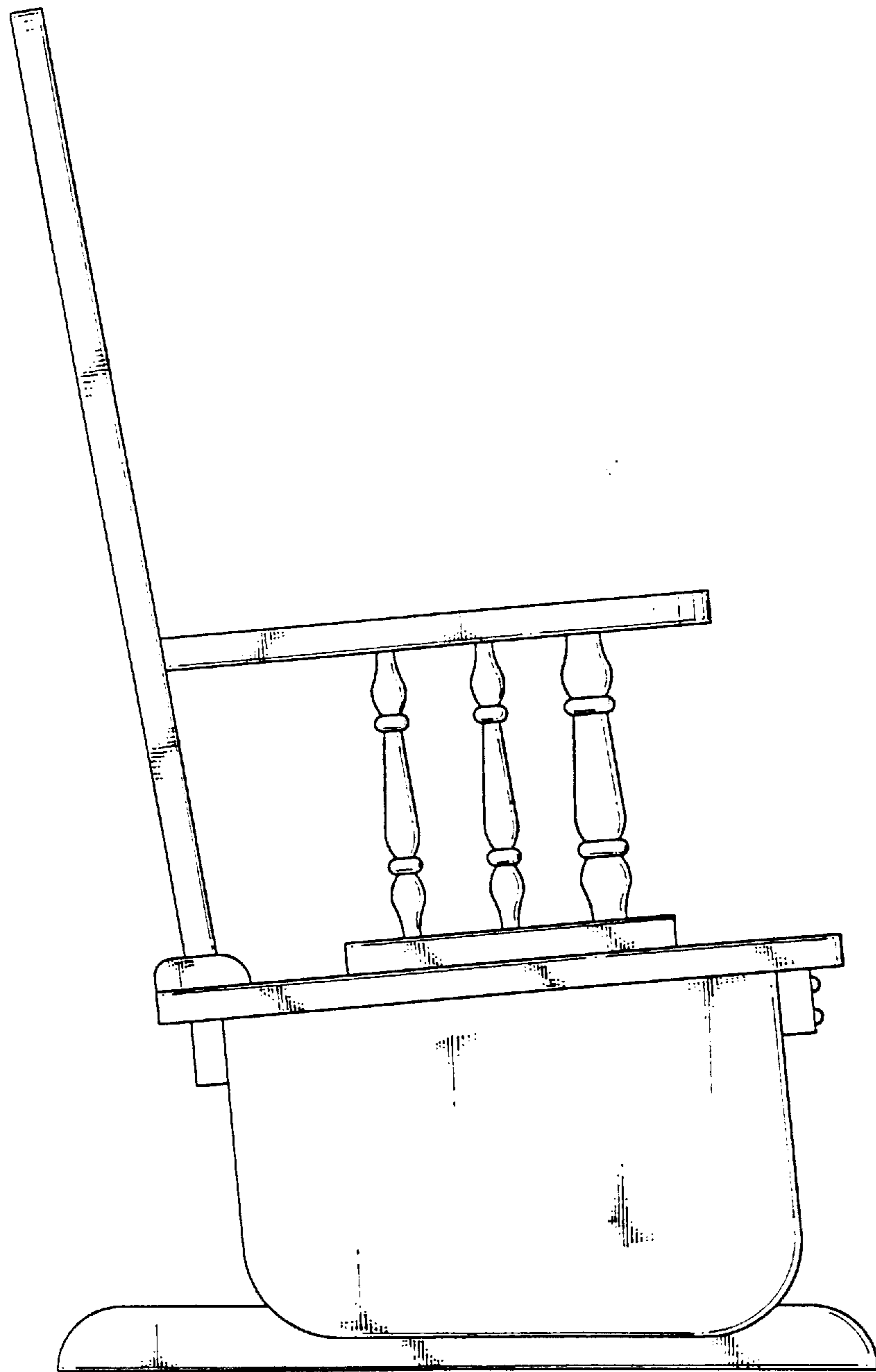


FIG. 4

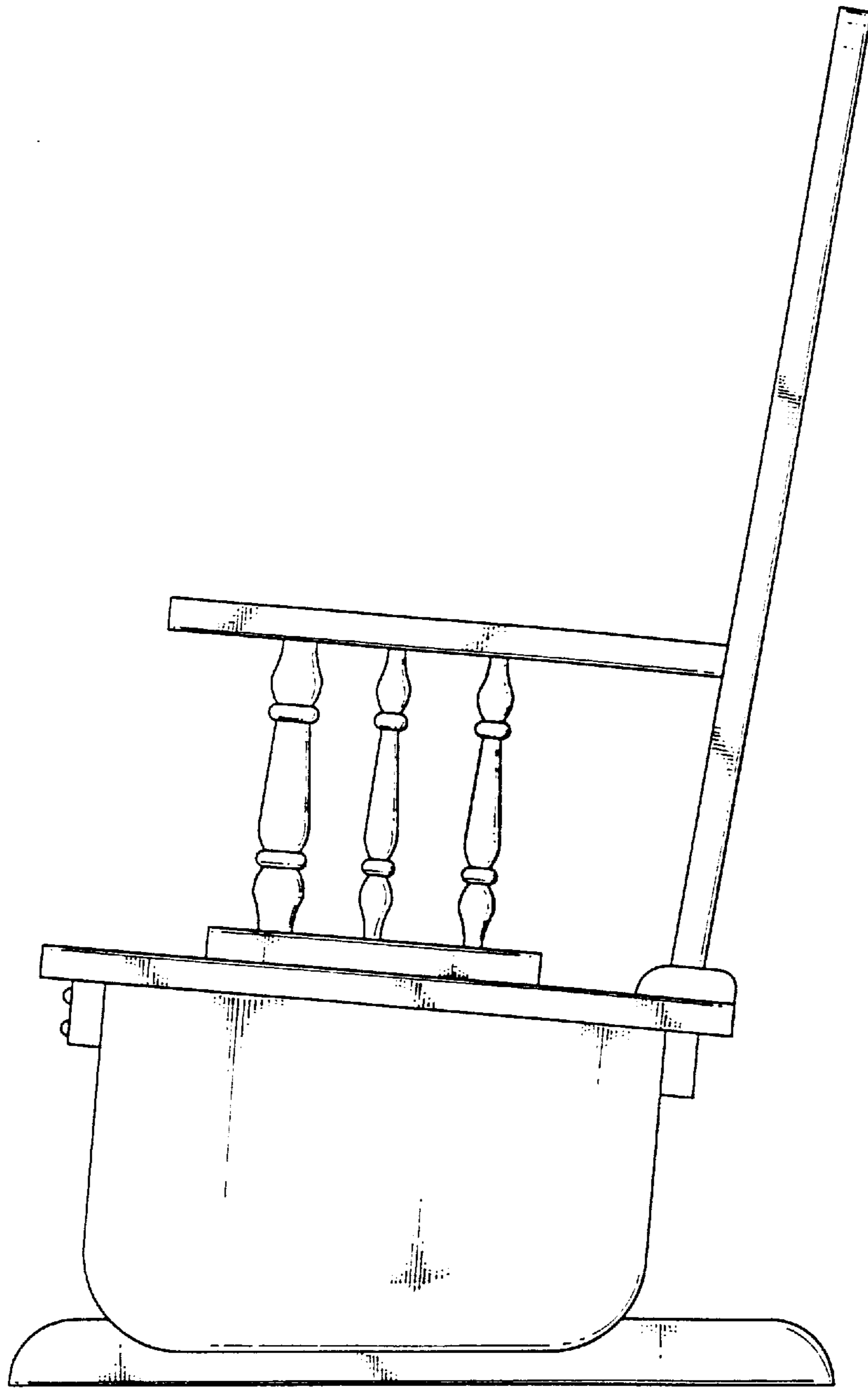


FIG. 5

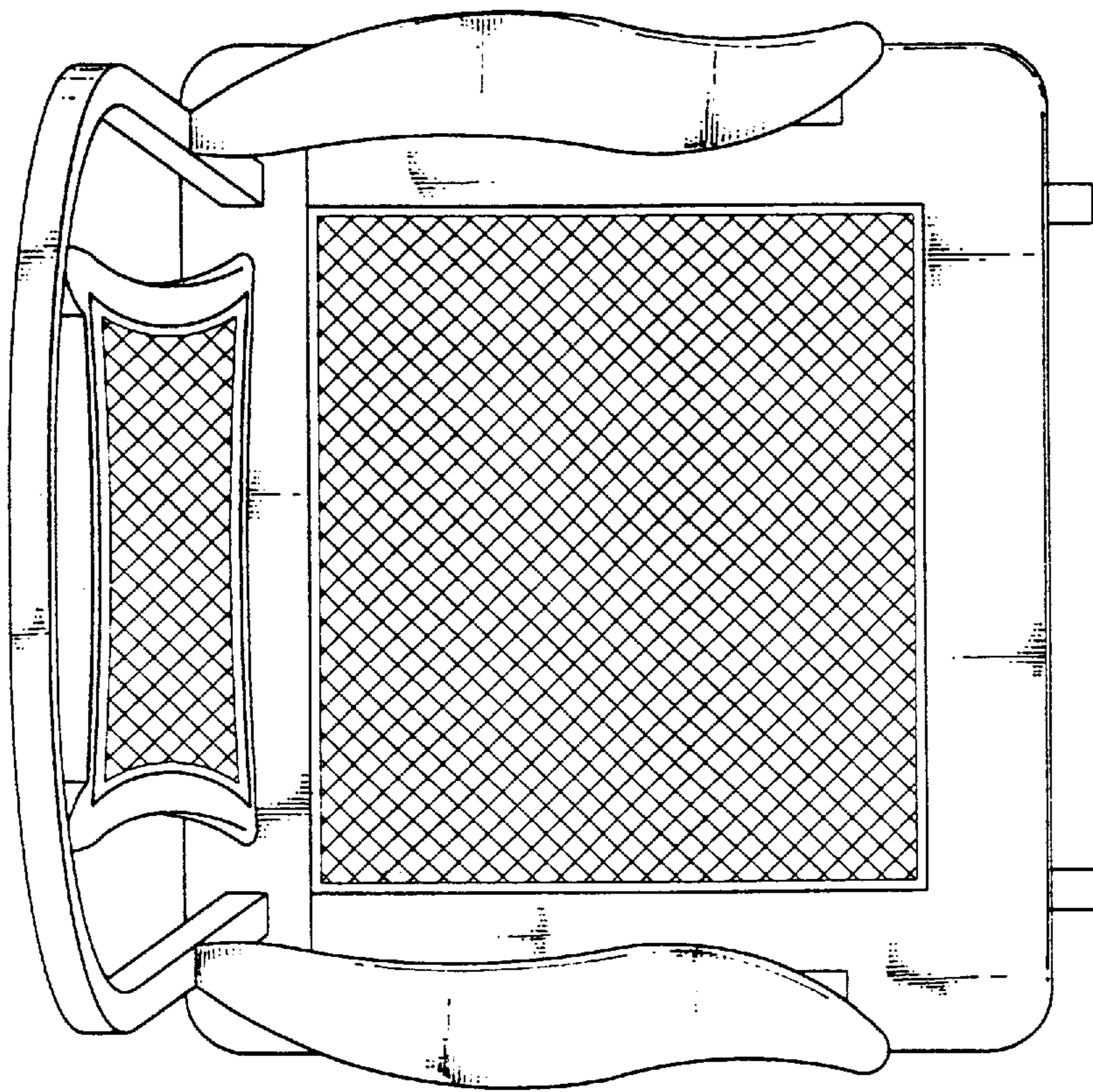


FIG.6

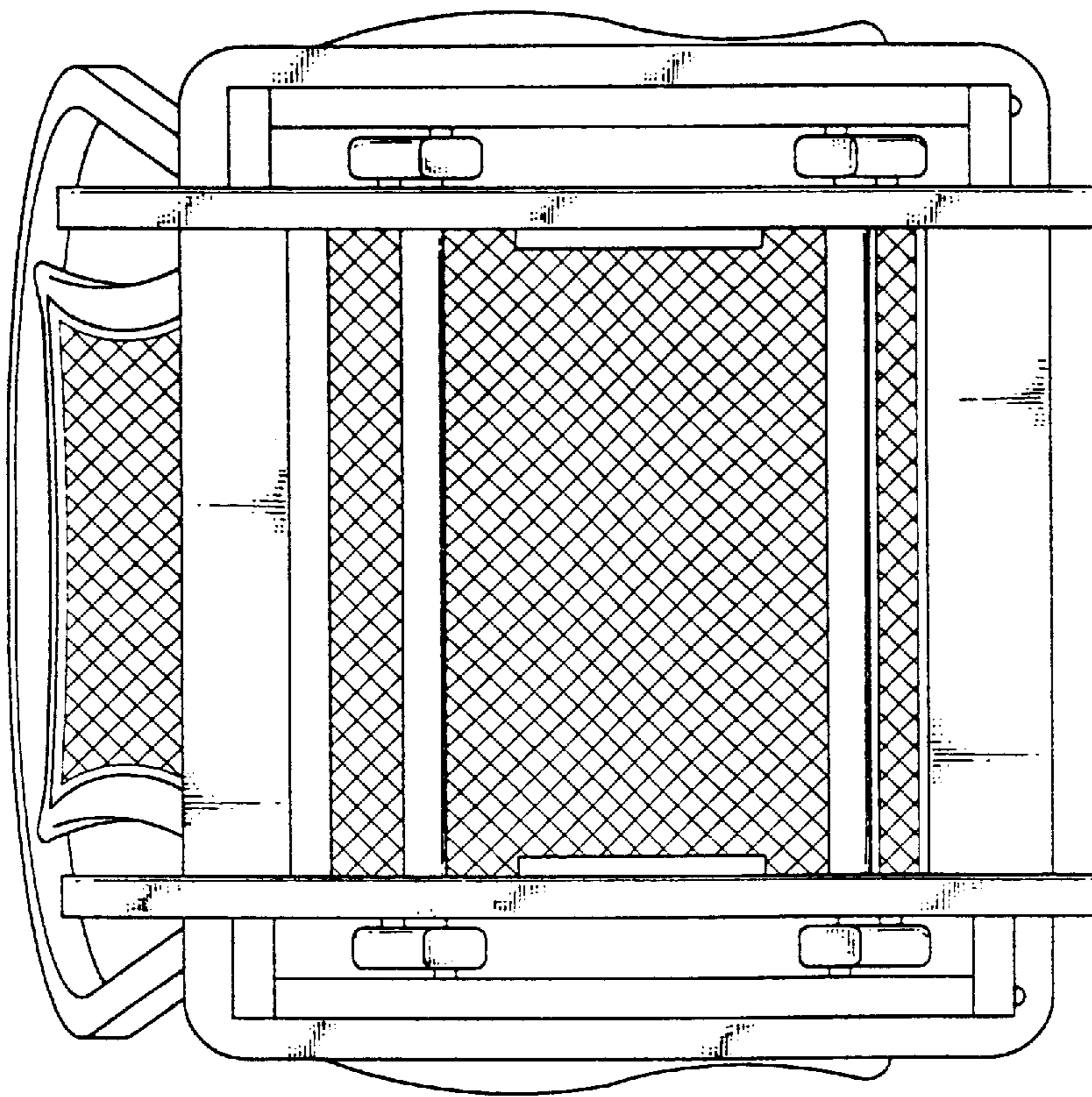


FIG. 7

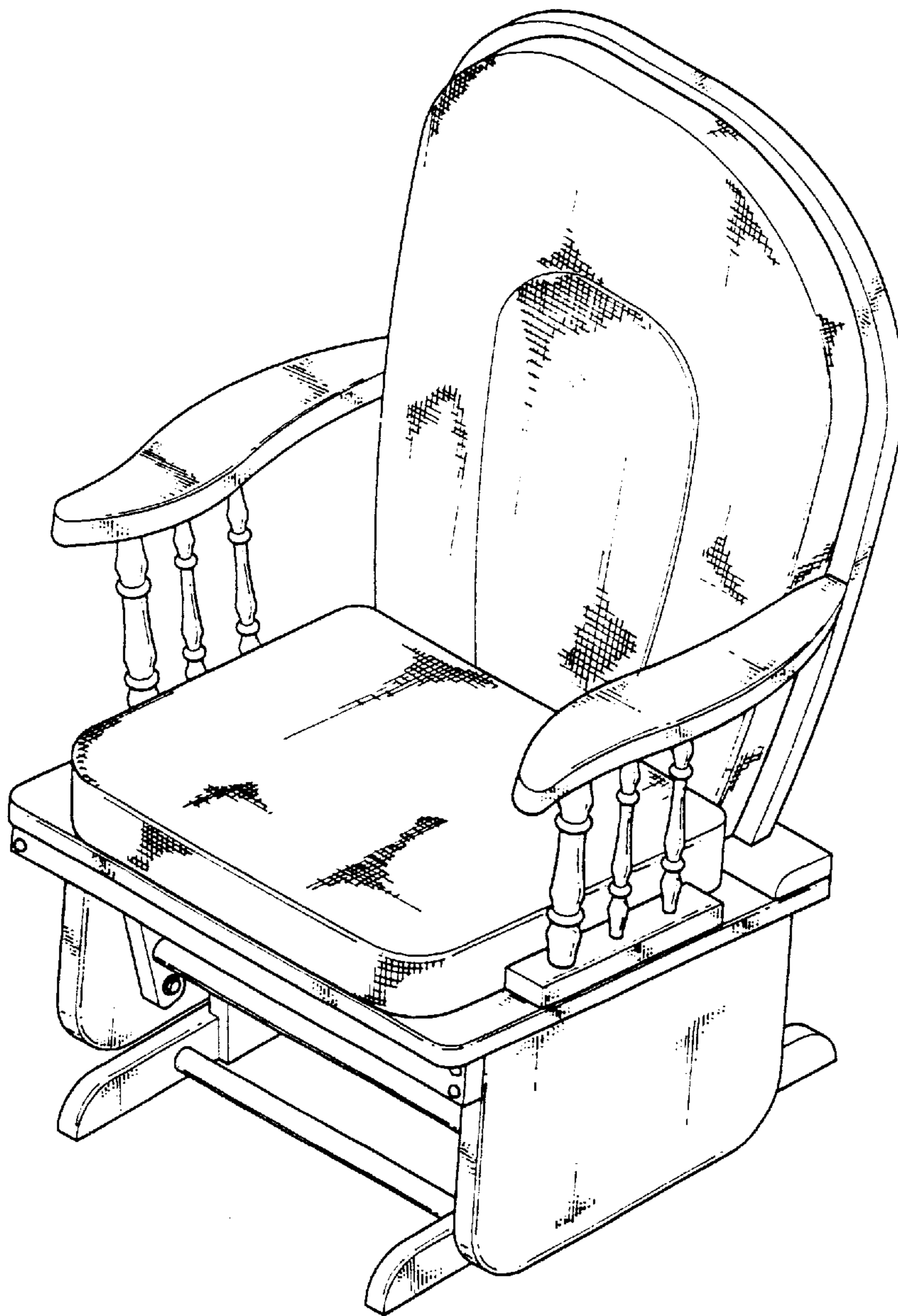


FIG. 8

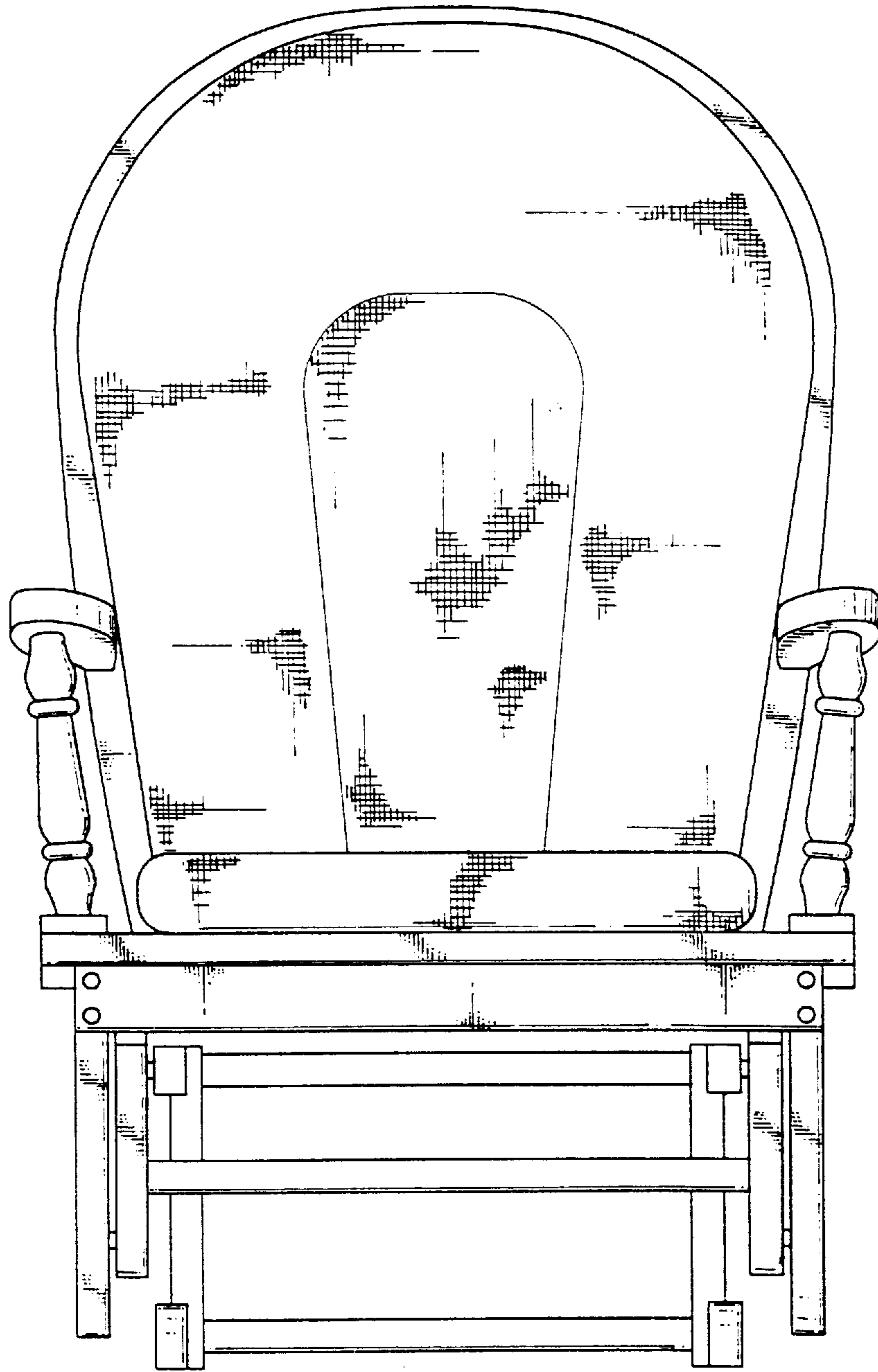


FIG. 9

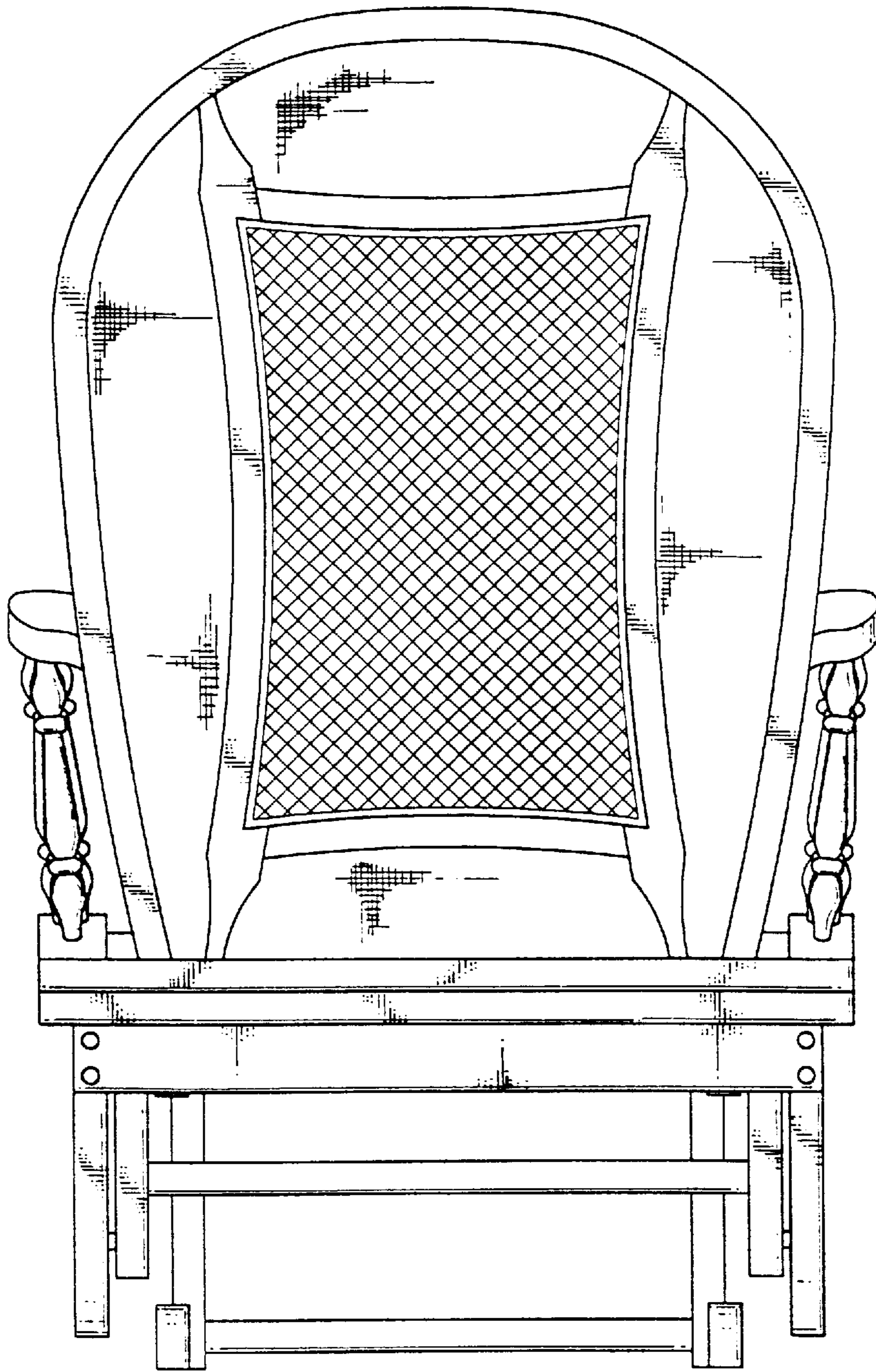


FIG. 10

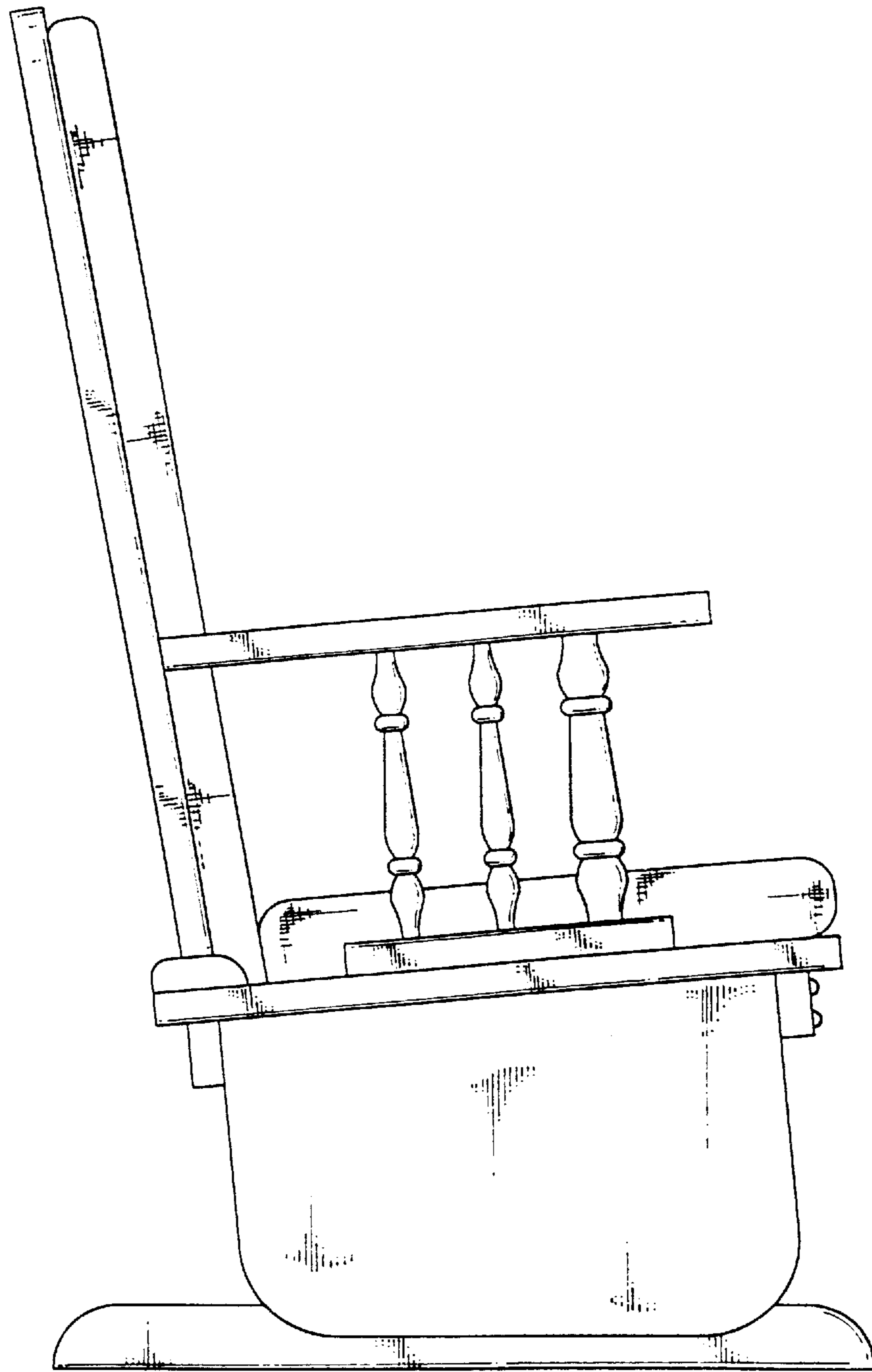


FIG. 11

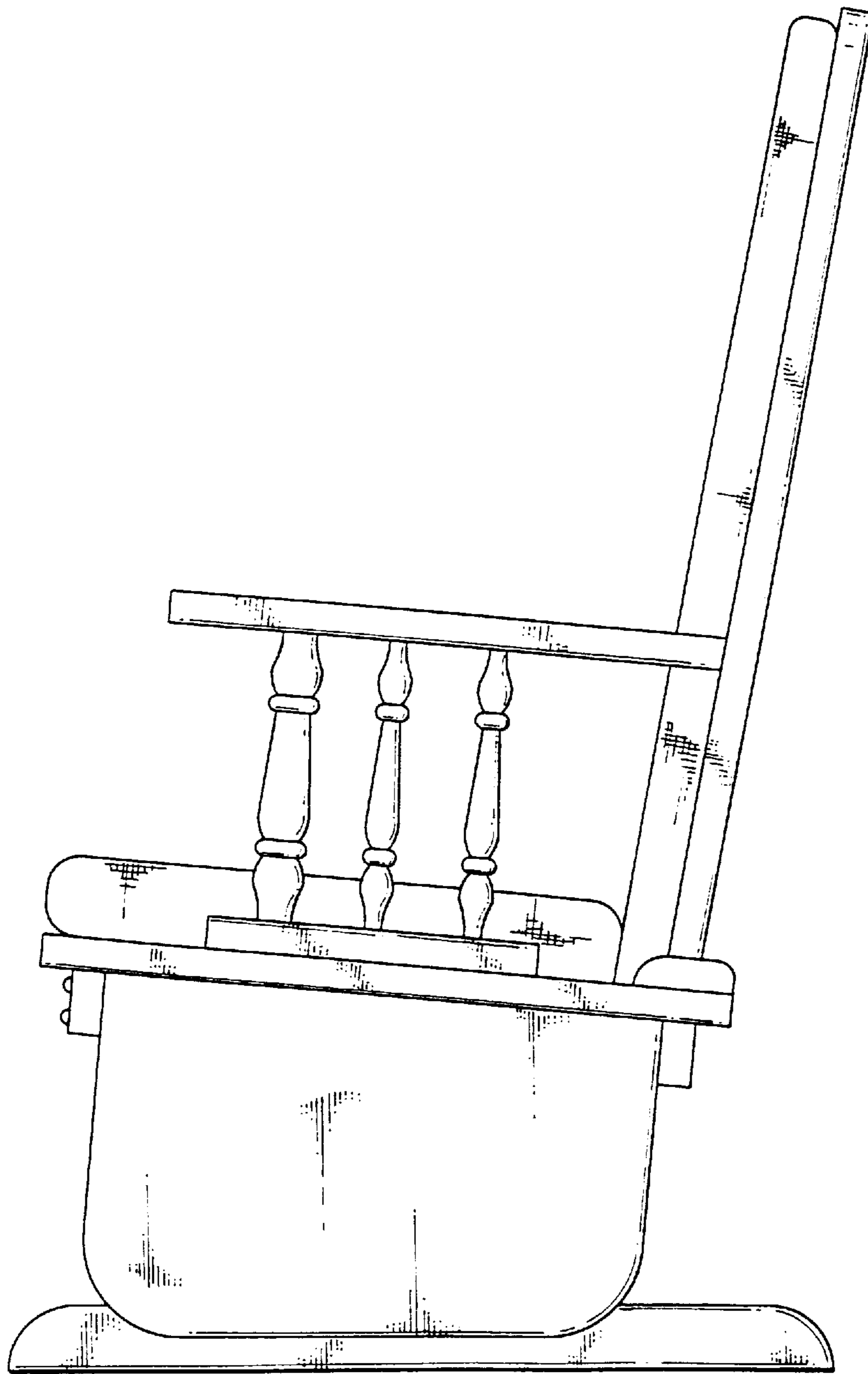


FIG. 12

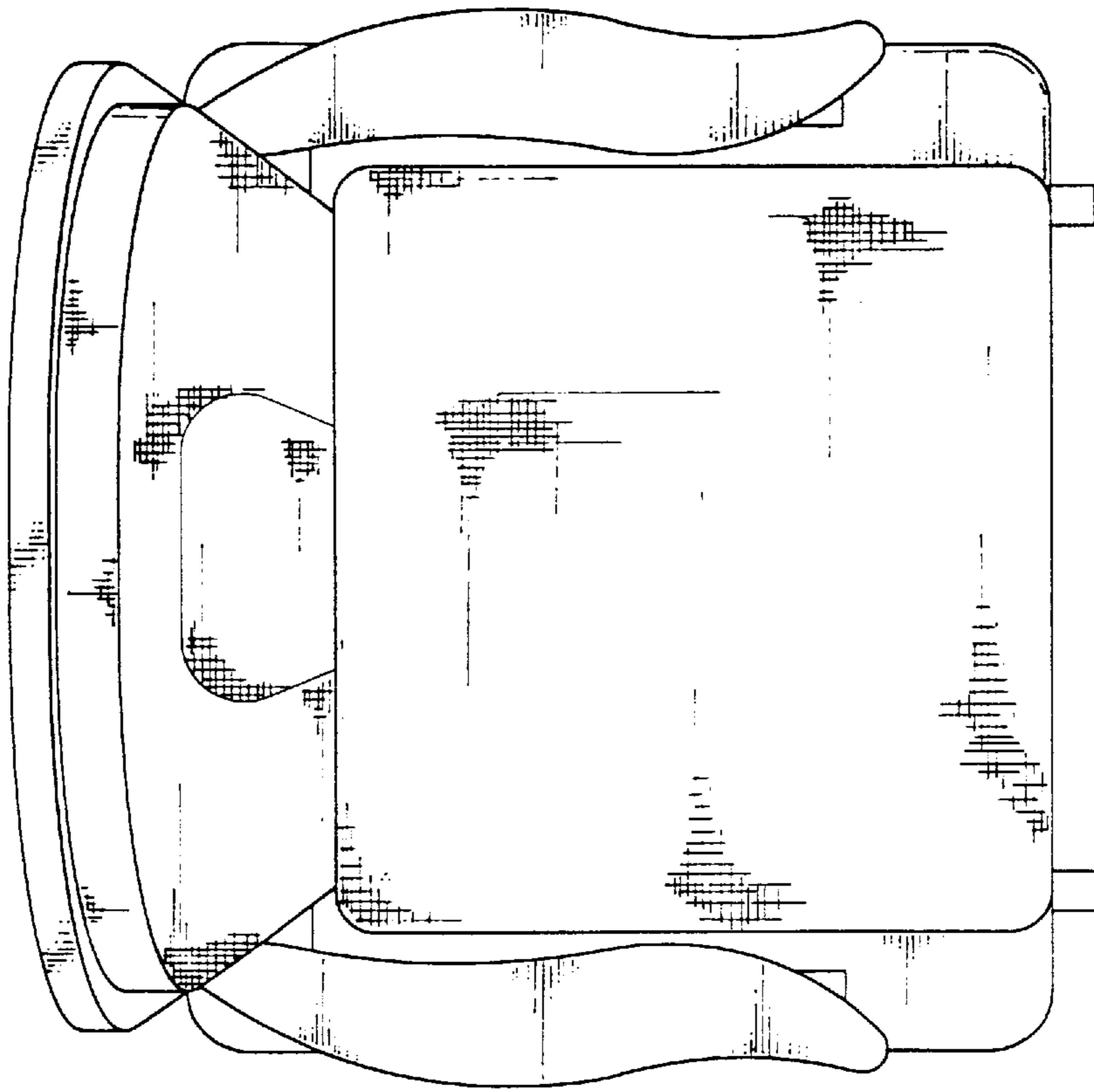


FIG. 13

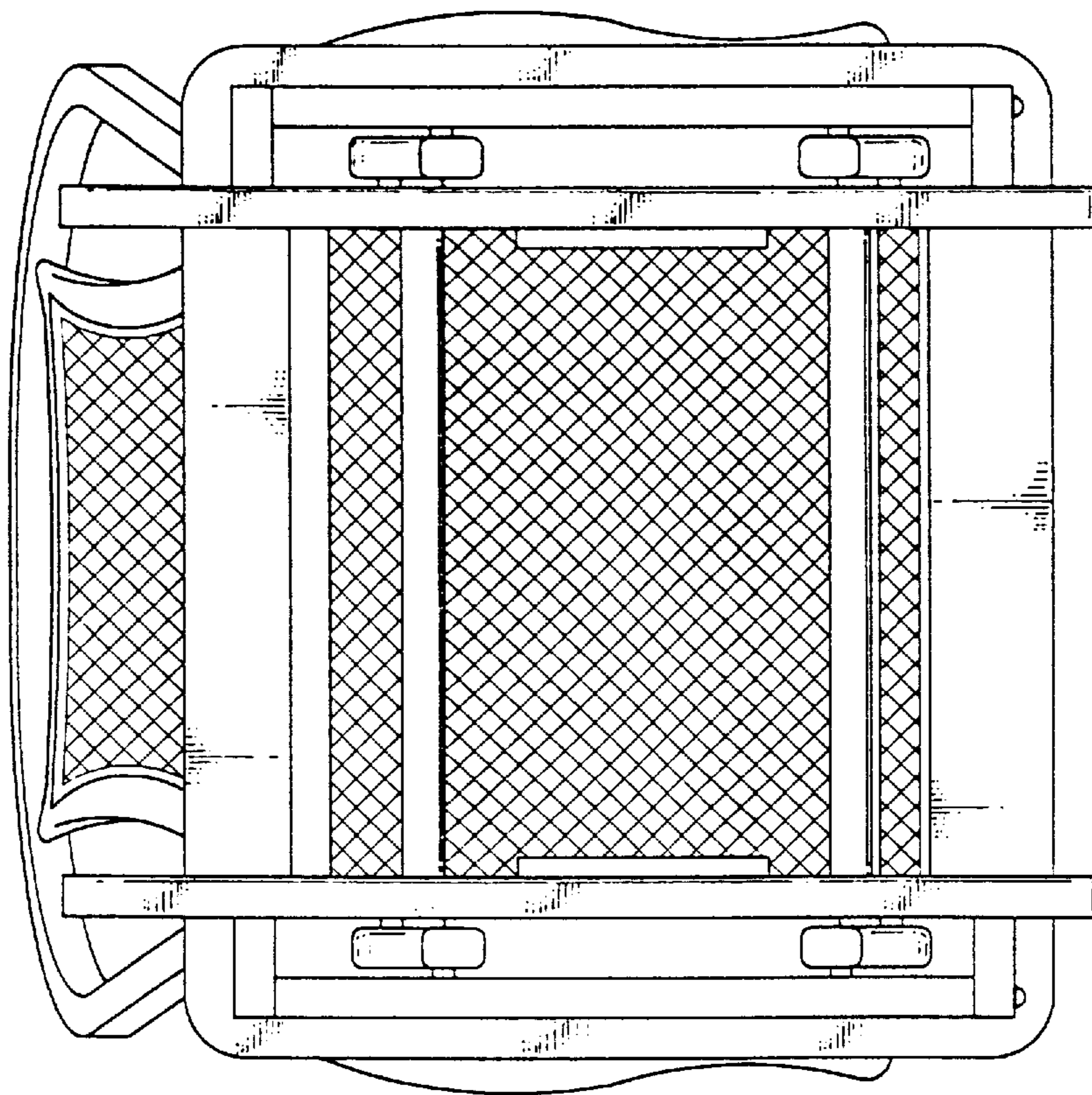


FIG. 14