



US00D406946S

United States Patent [19]
Larson

[11] **Patent Number: Des. 406,946**

[45] **Date of Patent: **Mar. 23, 1999**

[54] **TOOLBOX**

[75] **Inventor: Lars Larson, Copenhagen, Denmark**

[73] **Assignee: A/S E. Damberg Group, Nykobing, Denmark**

[**] **Term: 14 Years**

[21] **Appl. No.: 85,736**

[22] **Filed: Mar. 30, 1998**

[30] **Foreign Application Priority Data**

Sep. 30, 1997 [DK] Denmark MA 1008 1997

[51] **LOC (6) Cl. 03-01**

[52] **U.S. Cl. D3/308; D3/315; D3/905**

[58] **Field of Search D3/272, 273, 308, D3/315, 905; 206/349, 372, 373; 312/902**

[56] **References Cited**

U.S. PATENT DOCUMENTS

D. 327,562 6/1992 Brightbill D3/308

D. 329,135 9/1992 Embree D3/308

- D. 341,692 11/1993 Klepac D3/315
- D. 346,682 5/1994 Travato D3/315
- D. 354,938 1/1995 Remeyer D3/315
- D. 361,664 8/1995 Brown D3/315

Primary Examiner—Philip S. Hyder
Attorney, Agent, or Firm—Ladas & Parry

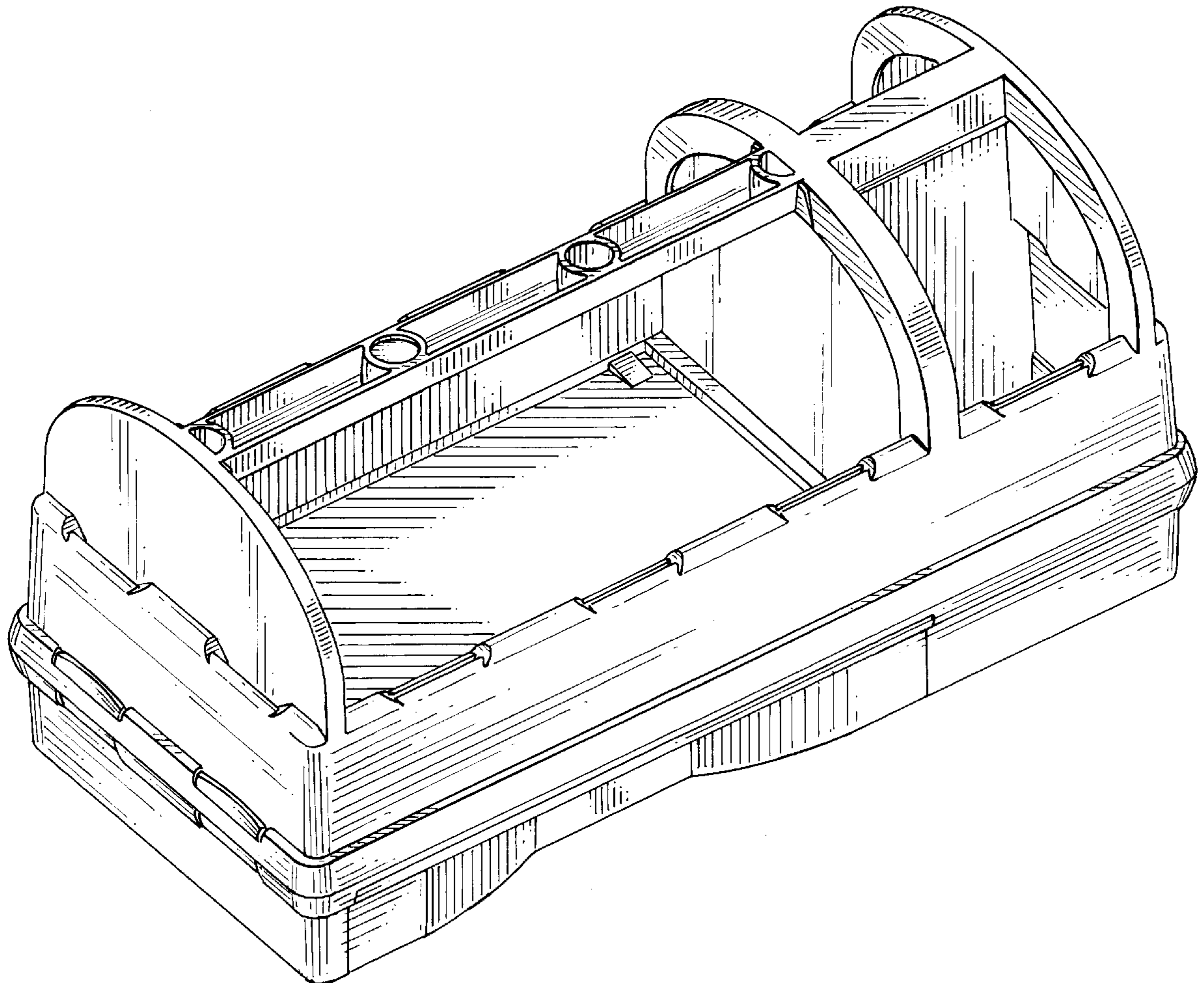
[57] **CLAIM**

The ornamental design for a toolbox, as shown and described.

DESCRIPTION

FIG. 1 is a perspective view of the toolbox showing my new design from above and to the left; FIG. 2 is a top plan view thereof; FIG. 3 is a front elevational view thereof; FIG. 4 is a left side elevational view thereof, the right side elevational view being a mirror image thereof; FIG. 5 is a rear elevational view thereof; FIG. 6 is a bottom plan view thereof; and, FIG. 7 is a perspective view thereof from the front and to the left showing the drawer in the open position.

1 Claim, 7 Drawing Sheets



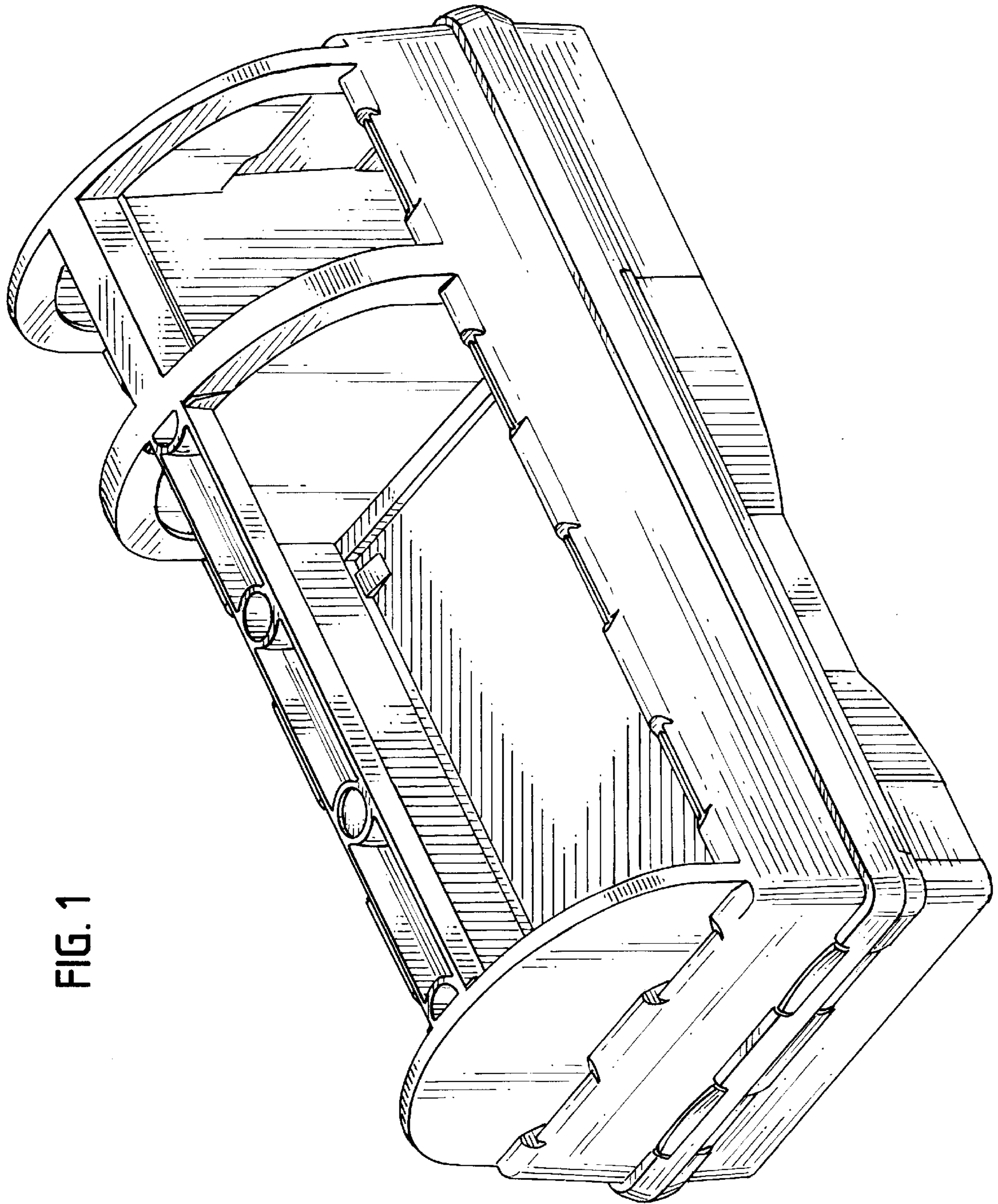


FIG. 1

FIG. 2

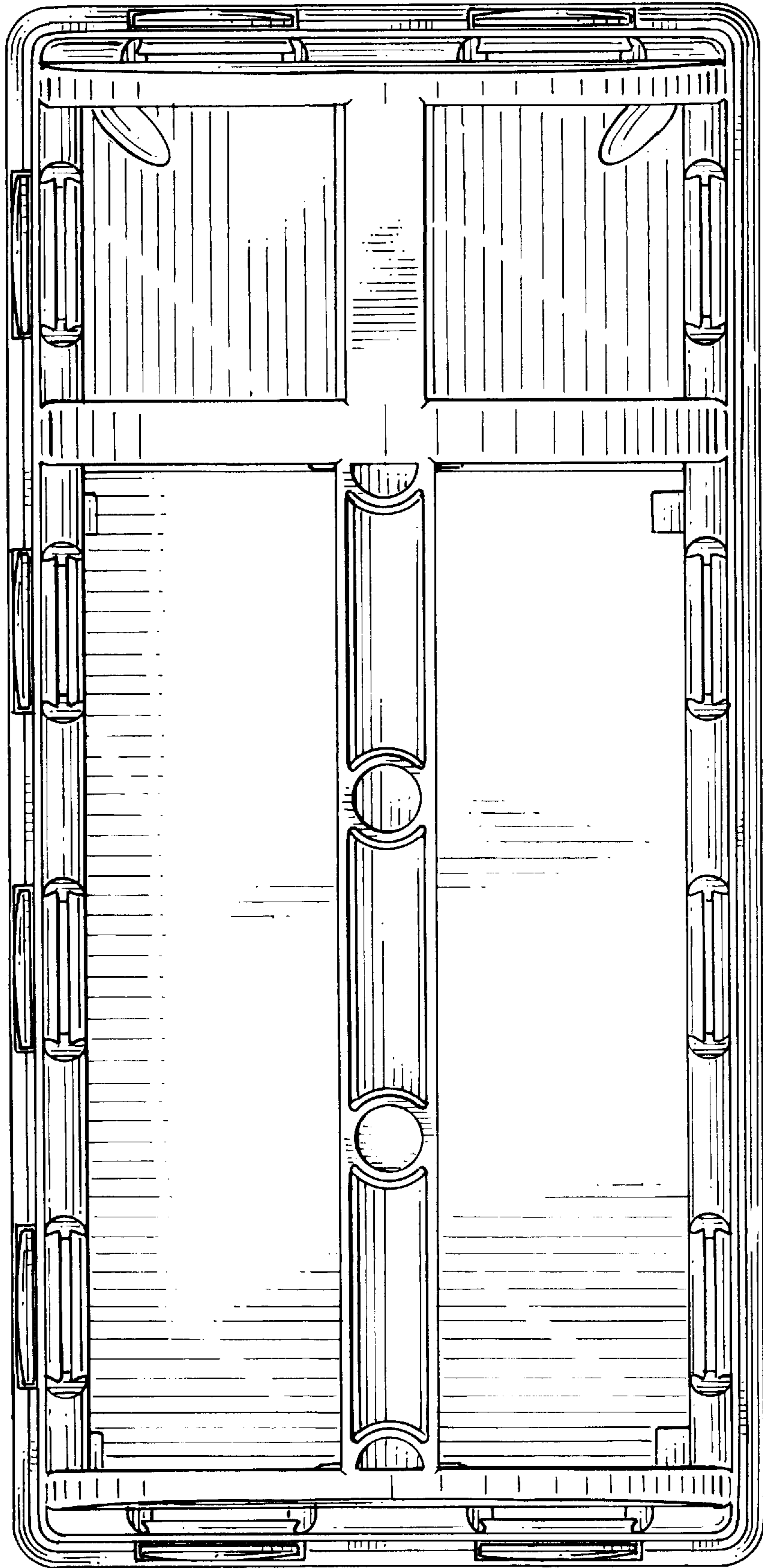


FIG. 3

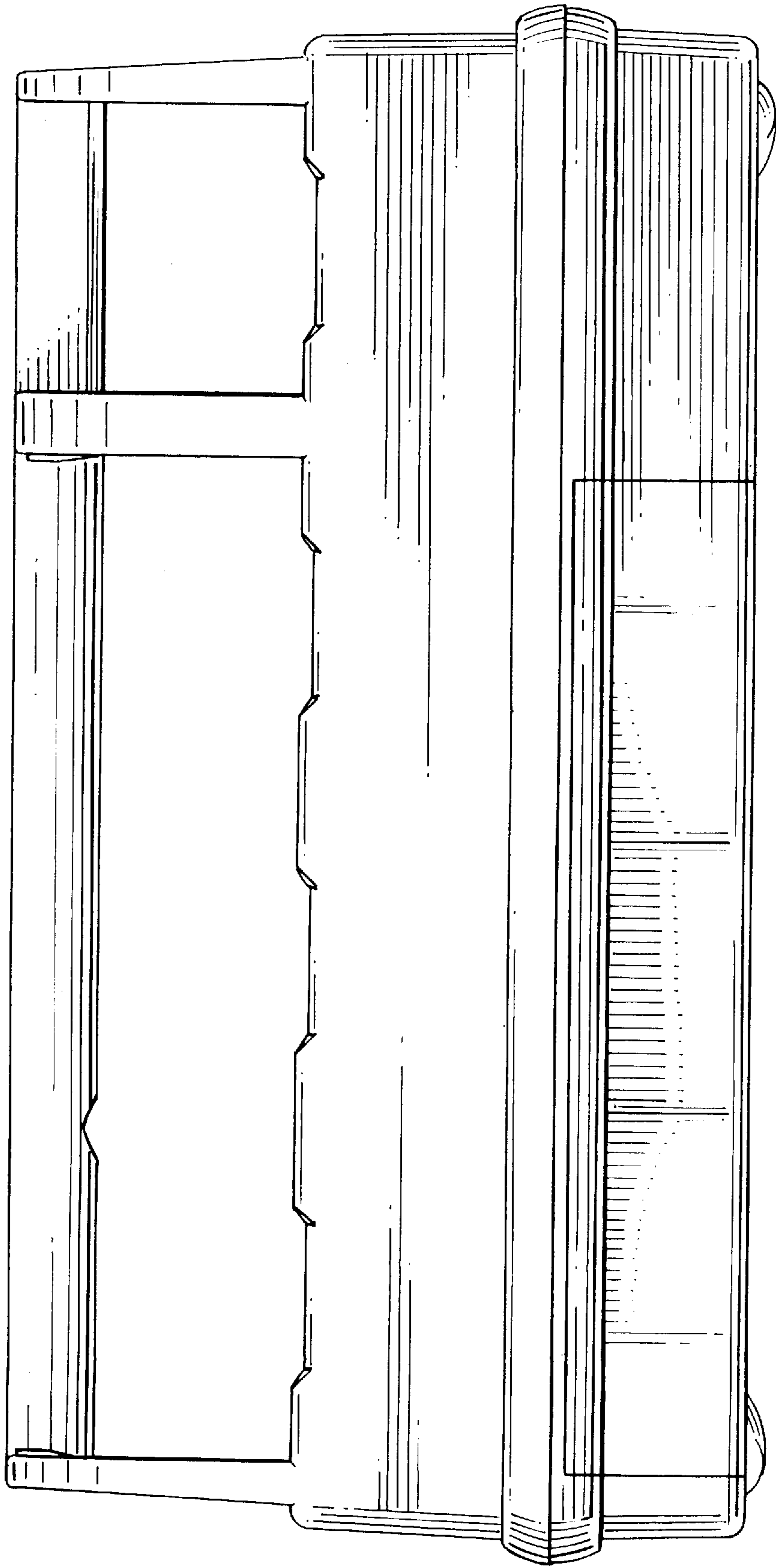


FIG. 4

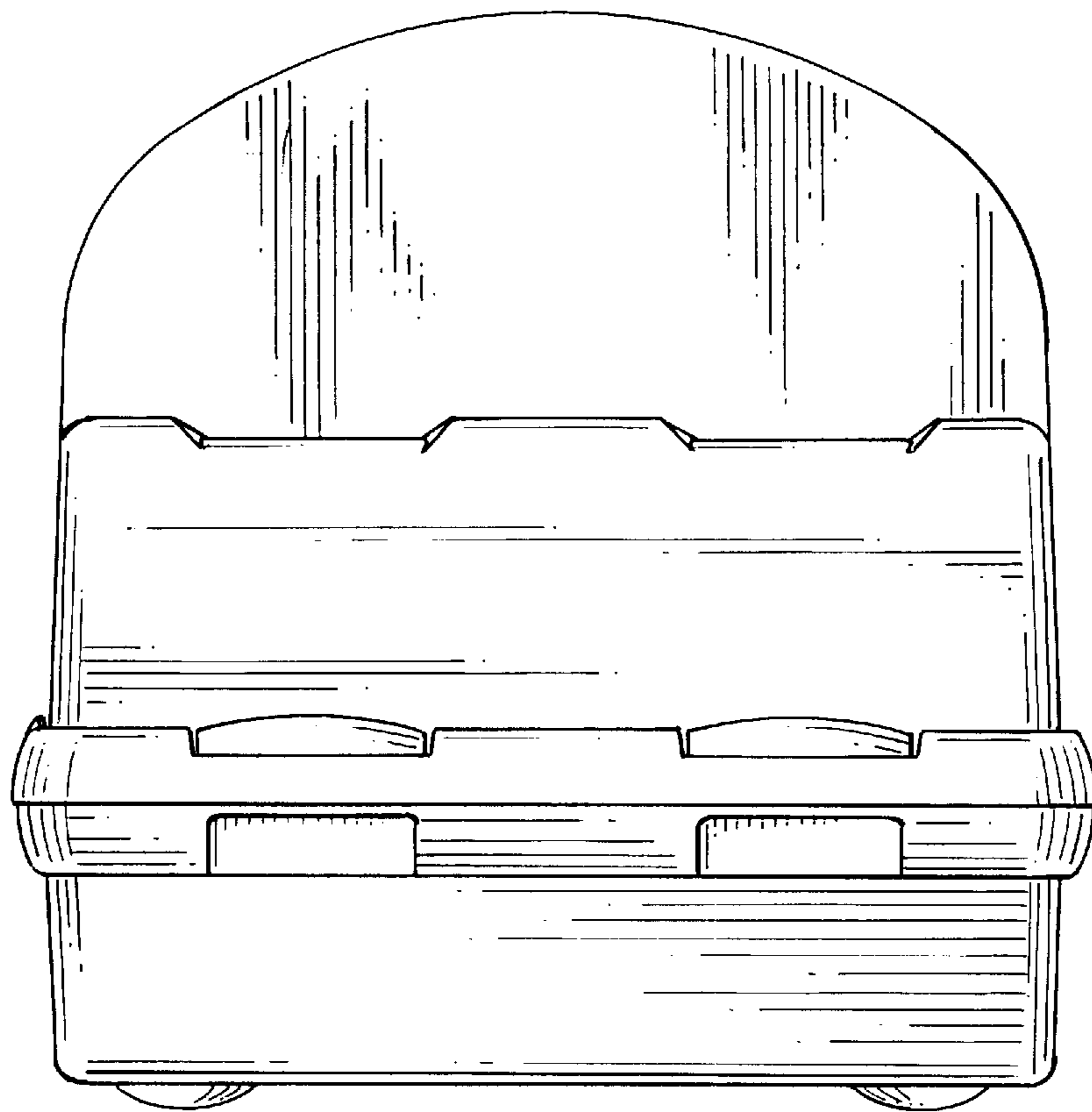


FIG. 5

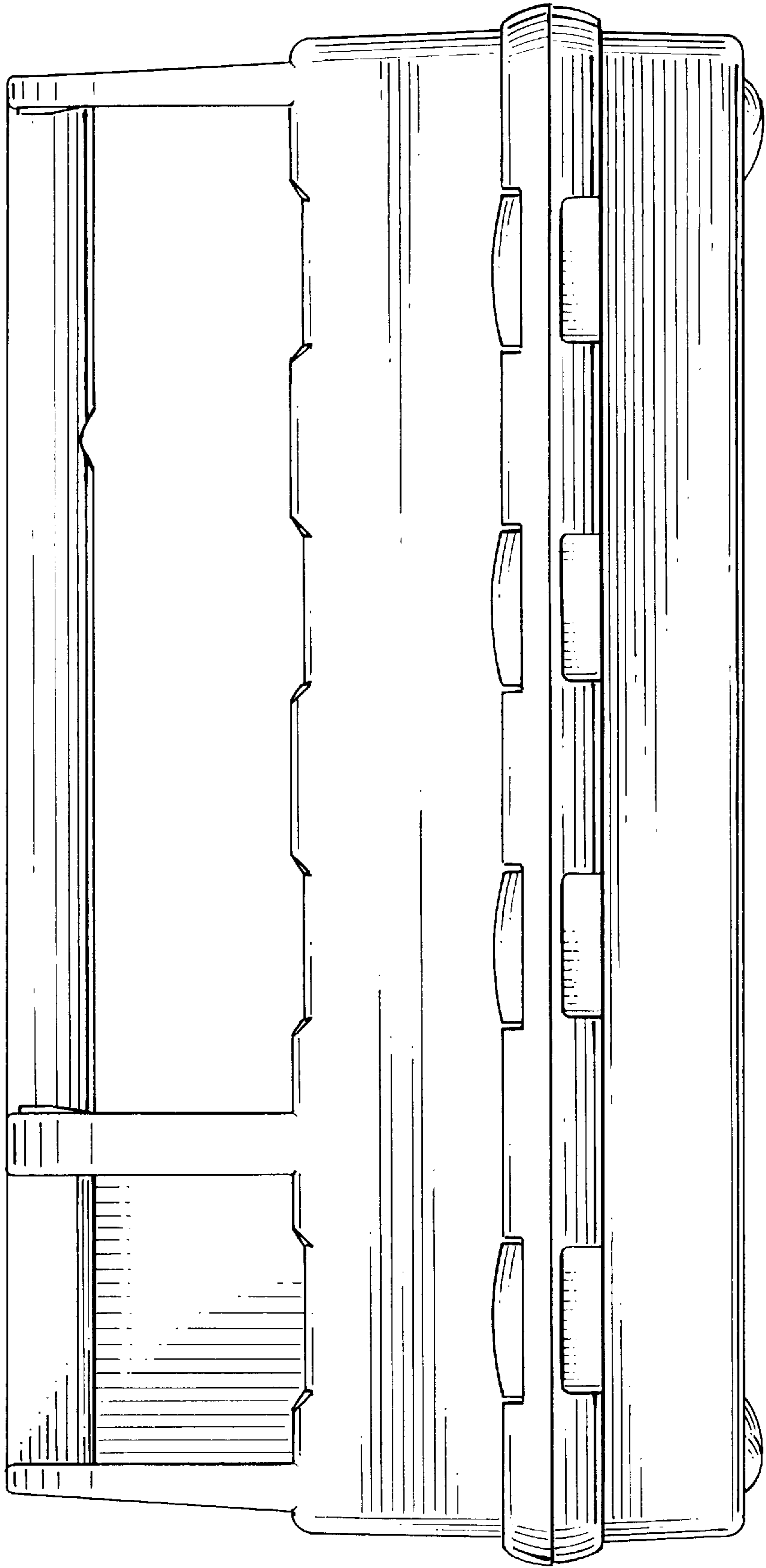


FIG. 6

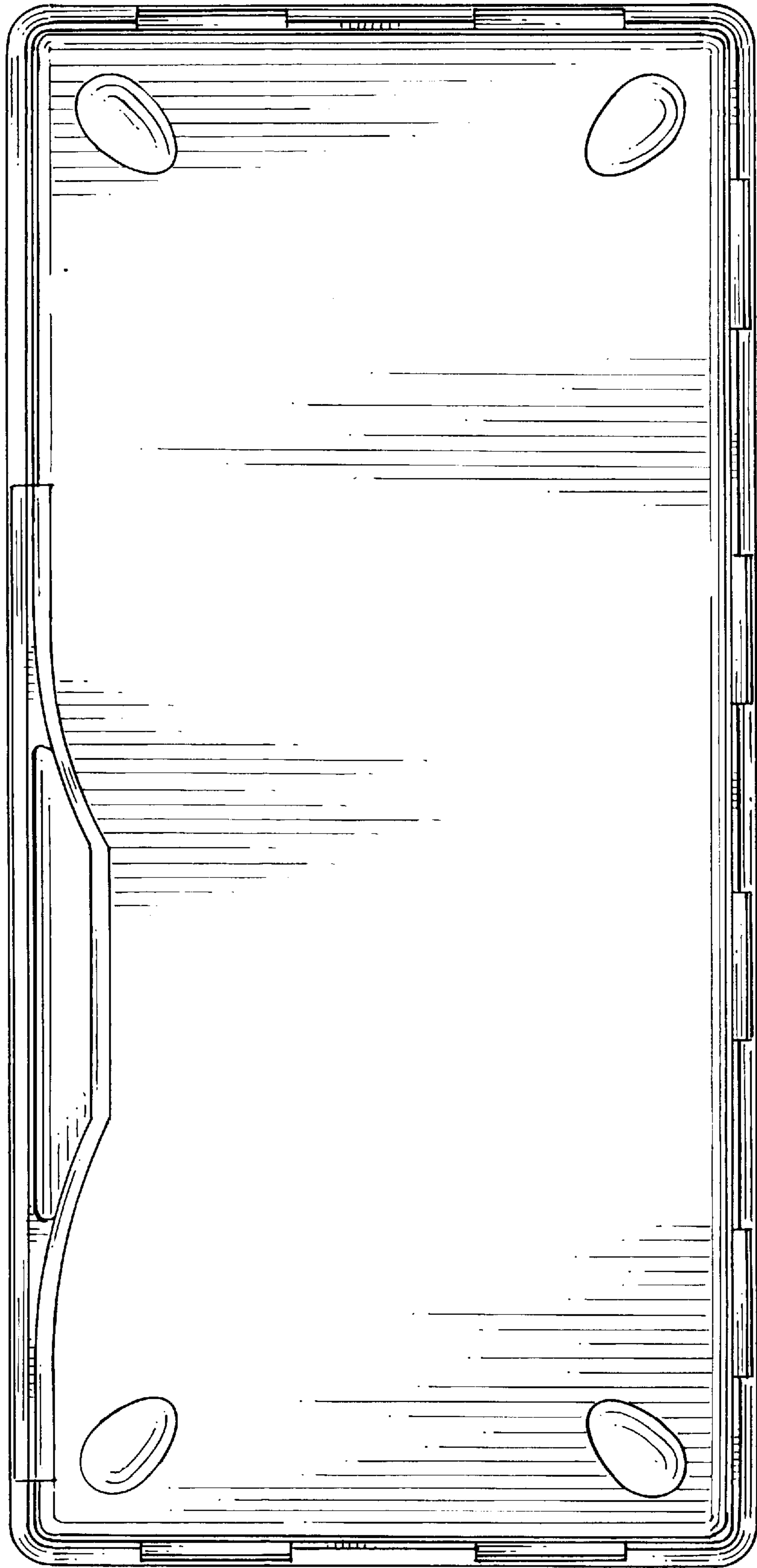


FIG. 7

