



US00D406943S

United States Patent [19] Chou

[11] **Patent Number: Des. 406,943**

[45] **Date of Patent: **Mar. 23, 1999**

[54] **BALL CARRYING BELT**

5,085,320 2/1992 Scott 206/315.9
5,238,162 8/1993 La Civita 224/250

[76] Inventor: **Wen-Ying Chou**, No. 1-50, Nan Tan,
Kuei Jen Hsiang, Tainan Hsien, Taiwan

Primary Examiner—Doris V. Coles
Assistant Examiner—Catherine R. Oliver
Attorney, Agent, or Firm—Rosenberg, Klein & Bilker

[**] Term: **14 Years**

[21] Appl. No.: **75,343**

[57] **CLAIM**

[22] Filed: **Aug. 25, 1997**

The ornamental design for a ball carrying belt, as shown and described.

[51] **LOC (6) Cl.** **03-01**

DESCRIPTION

[52] **U.S. Cl.** **D3/221**

[58] **Field of Search** D3/221, 254, 257;
206/315.1, 315.9, 579; 224/250, 919; 294/148,
149, 150, 157

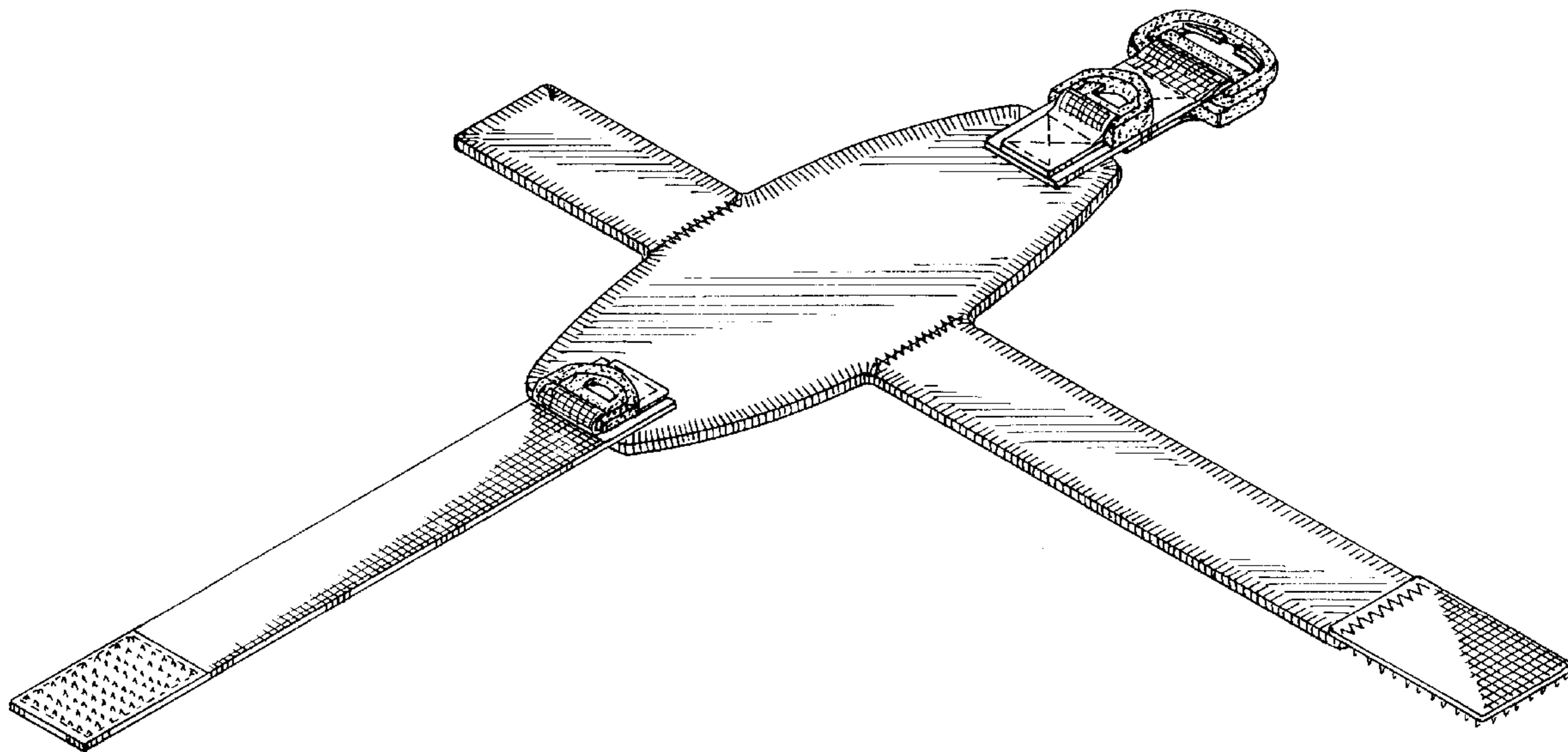
FIG. 1 is a perspective view of a ball carrying belt showing my new design;
FIG. 2 is a front elevational view thereof;
FIG. 3 is a rear elevational view thereof;
FIG. 4 is a left side elevational view thereof;
FIG. 5 is a right side elevational view thereof;
FIG. 6 is a top plan view thereof; and,
FIG. 7 is a bottom plan view thereof.

[56] **References Cited**

U.S. PATENT DOCUMENTS

- D. 289,226 4/1987 Zisholtz D3/221
- D. 332,350 1/1993 Anderson D3/257
- D. 375,626 11/1996 Eaton et al. D3/257

1 Claim, 5 Drawing Sheets



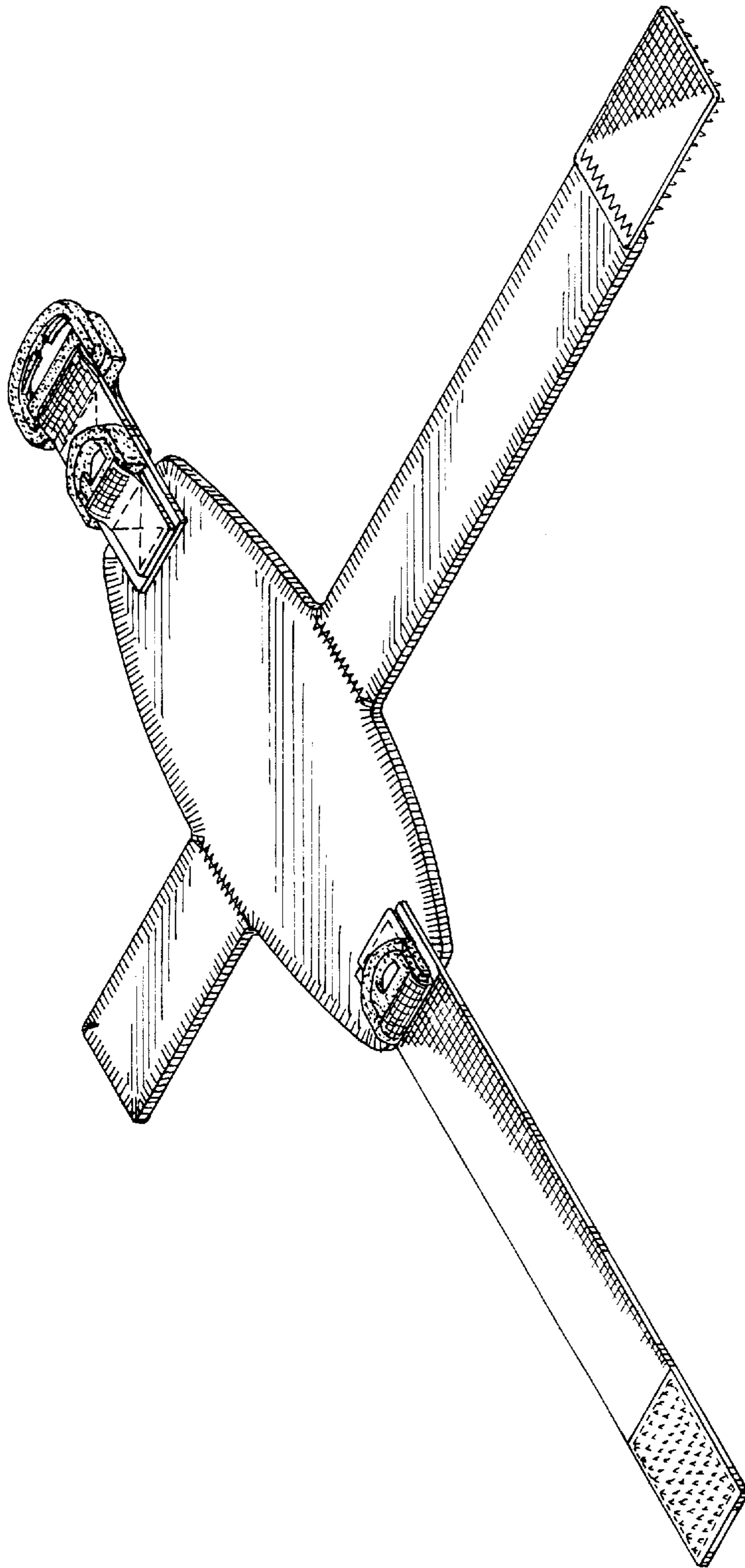


FIG. 1

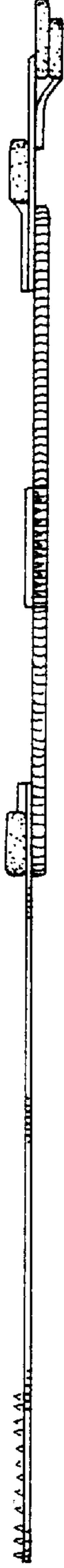


FIG. 2



FIG. 3

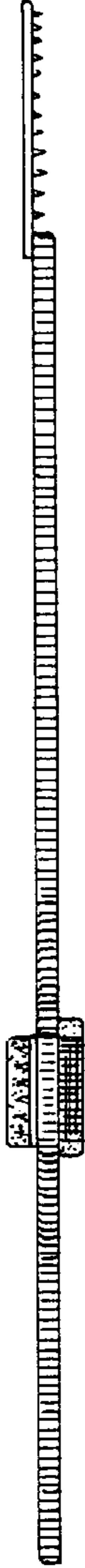


FIG. 4



FIG. 5

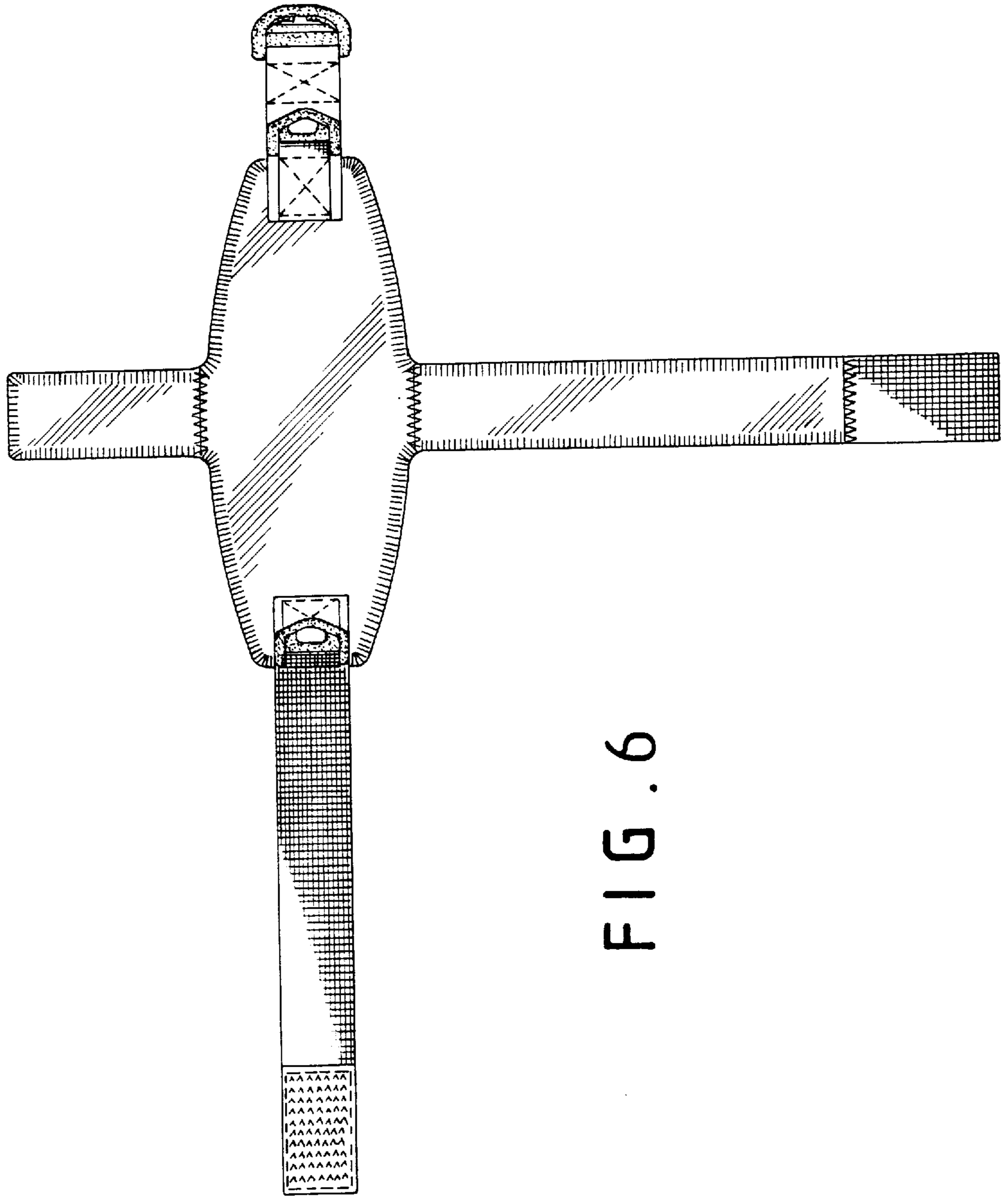


FIG. 6

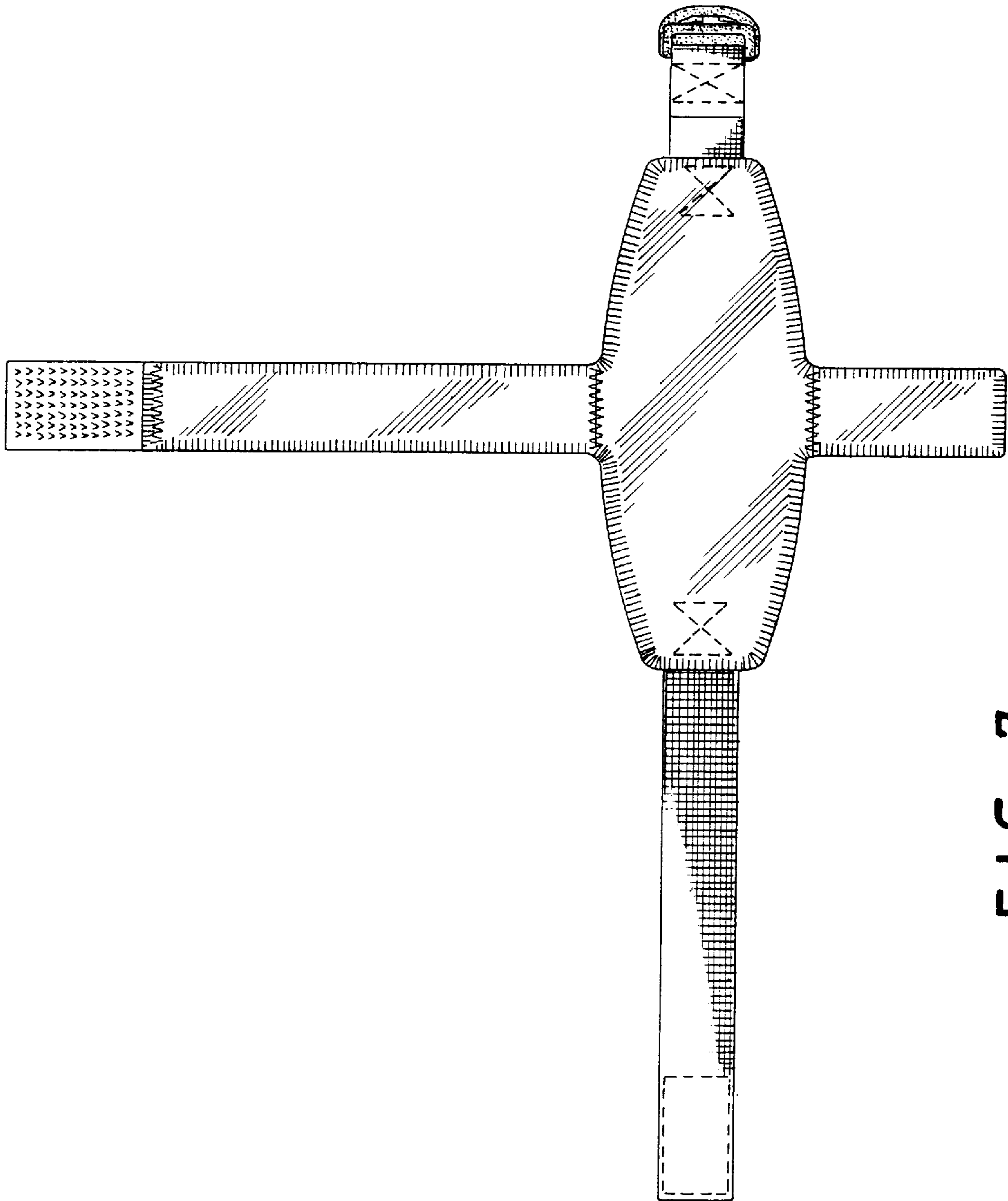


FIG. 7