



US00D406942S

United States Patent [19]

Santoro

[11] Patent Number: **Des. 406,942**

[45] Date of Patent: ****Mar. 23, 1999**

[54] **BACKPACK FOR CARRYING A FRENCH EASEL**

5,704,529 1/1998 Santoro et al. 224/629

[75] Inventor: **Michael Santoro**, 2601 Jefferson St.
407, Carlsbad, Calif. 92008

[73] Assignee: **Michael Santoro**, Carlsbad, Calif.

[**] Term: **14 Years**

[21] Appl. No.: **85,026**

[22] Filed: **Mar. 16, 1998**

[51] **LOC (6) Cl.** **03-01**

[52] **U.S. Cl.** **D3/216**

[58] **Field of Search** D3/216, 217, 318,
D3/327; 224/250, 651, 214, 578, 579, 580

[56] **References Cited**

U.S. PATENT DOCUMENTS

42,895	5/1864	Woods	224/651
3,144,014	8/1964	Mantell, Jr.	224/651 X
5,366,126	11/1994	Dausien	224/630
5,492,254	2/1996	Challoner et al.	224/651 X
5,505,353	4/1996	Marsh, Jr.	224/250 X

FOREIGN PATENT DOCUMENTS

546839	9/1922	France	224/214
125992	9/1949	Netherlands	224/214
5076	of 1910	United Kingdom	224/214

Primary Examiner—Prabhakar G. Deshmukh

[57] **CLAIM**

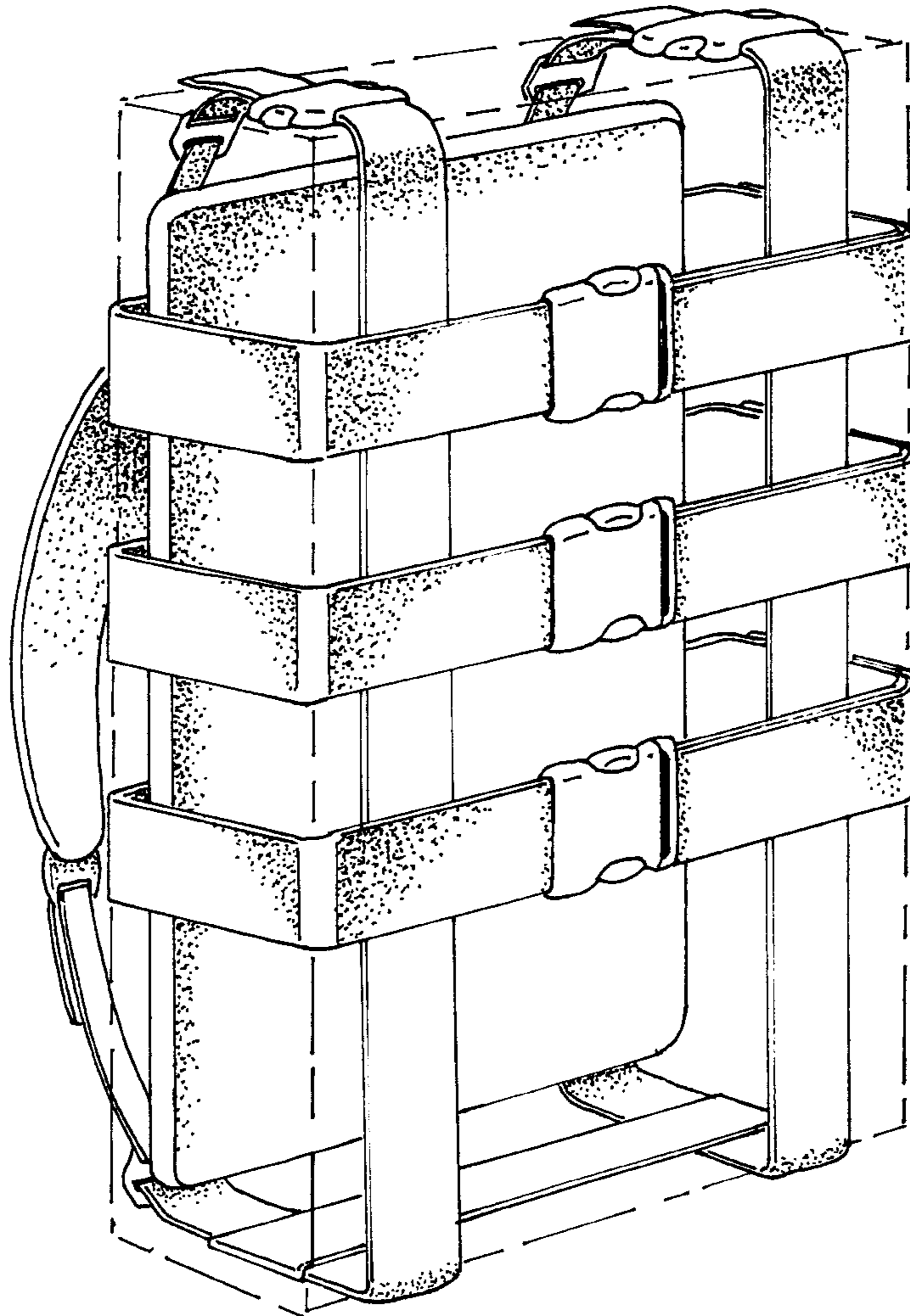
The ornamental design for a backpack for carrying a French easel, as shown and described.

DESCRIPTION

FIG. 1 is a front perspective view of a backpack for carrying a French easel showing my new design; FIG. 2 is a rear perspective view thereof; FIG. 3 is a left side elevational view thereof; FIG. 4 is a right side elevational view thereof; FIG. 5 is a top plan view thereof; and, FIG. 6 is a bottom plan view thereof.

The broken line showing of easel is for illustrative purpose only and forms no part of the claim.

1 Claim, 6 Drawing Sheets



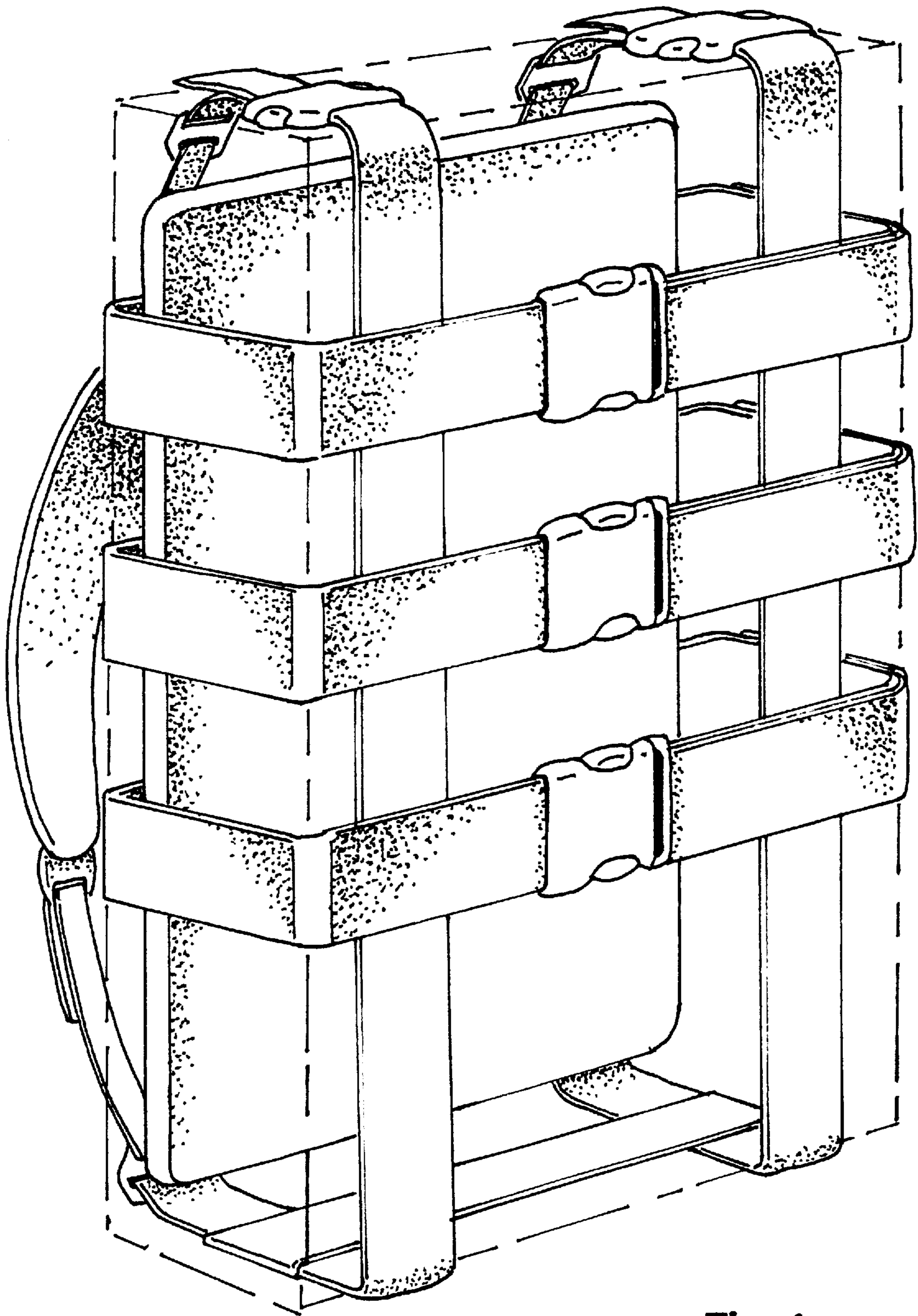


Fig. 1

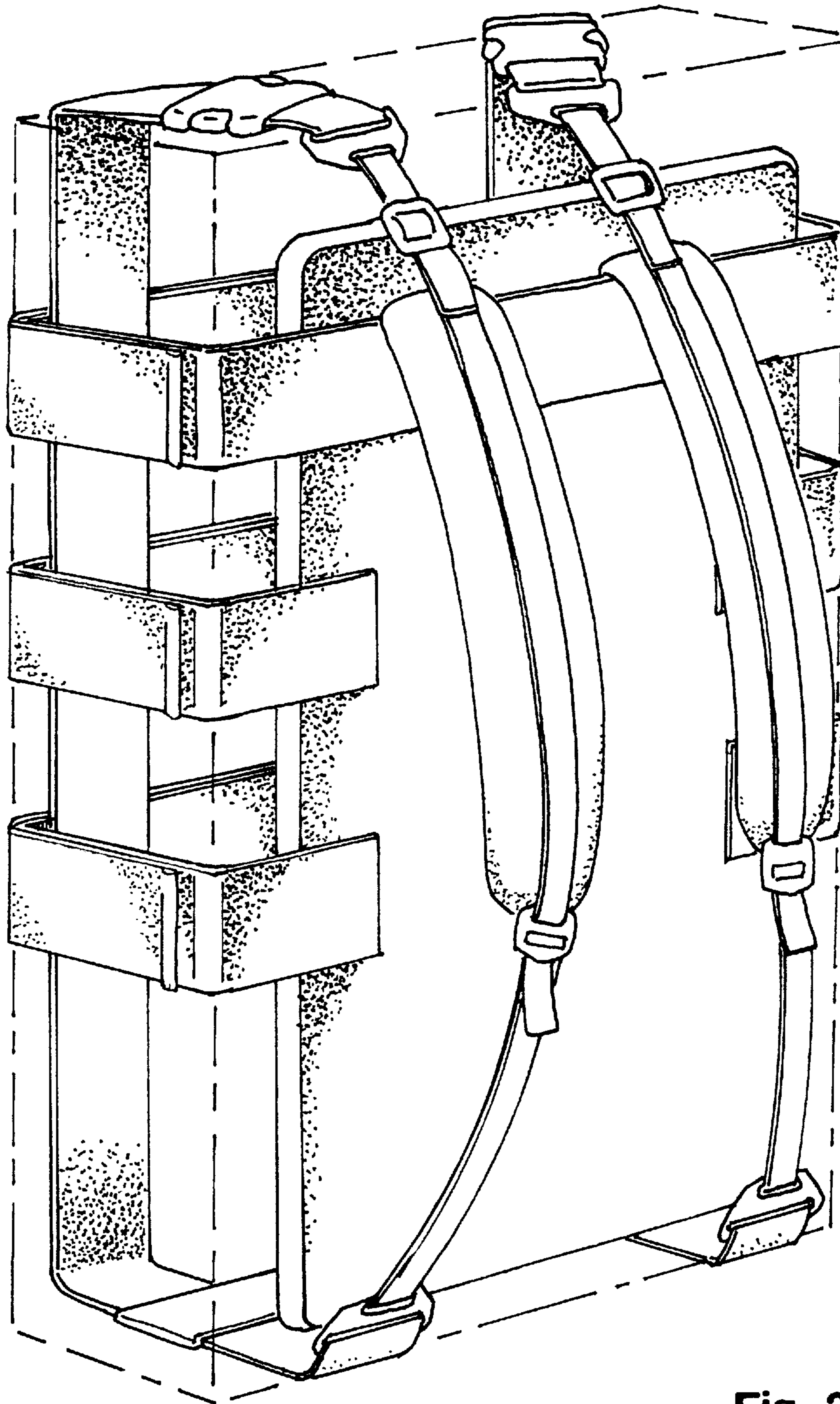


Fig. 2

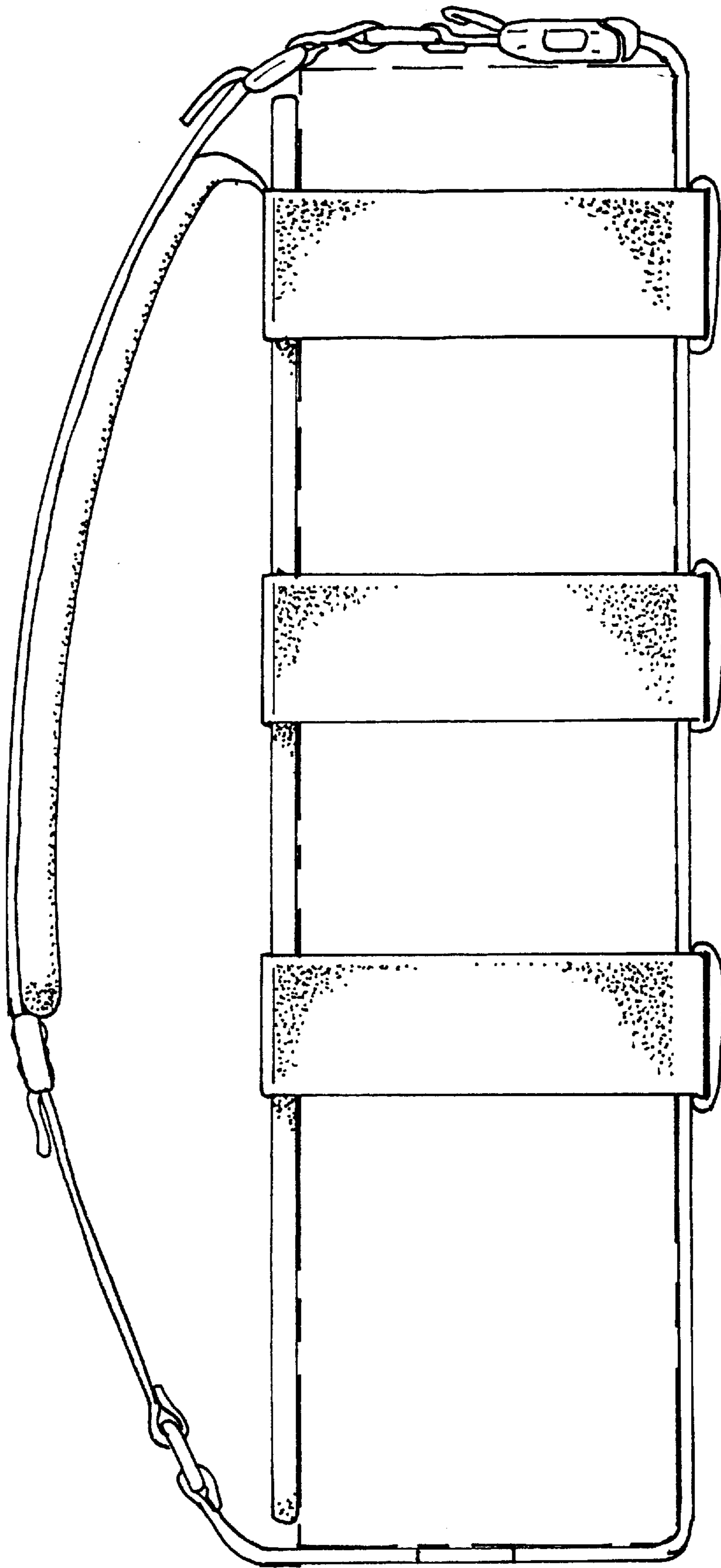


Fig. 3

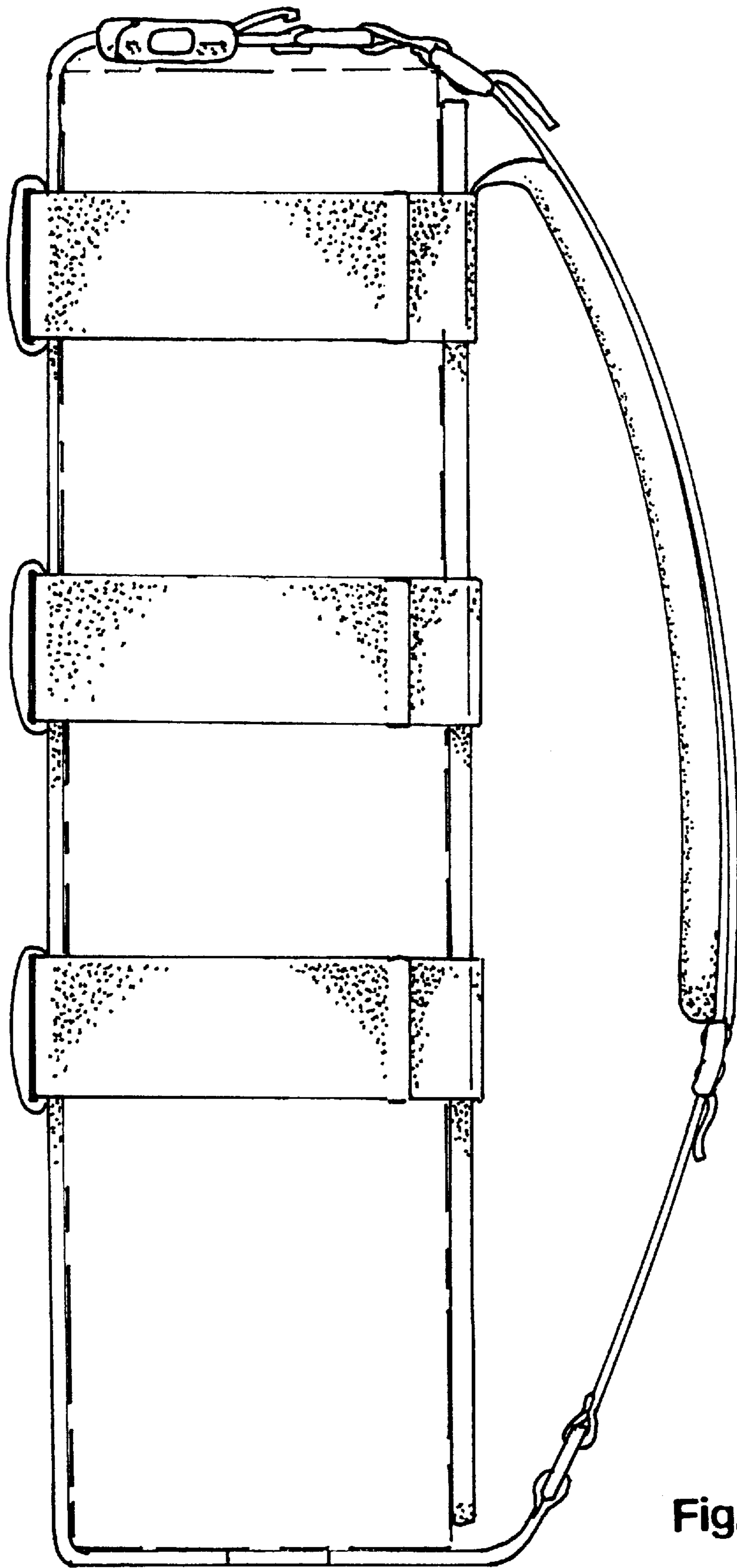


Fig. 4

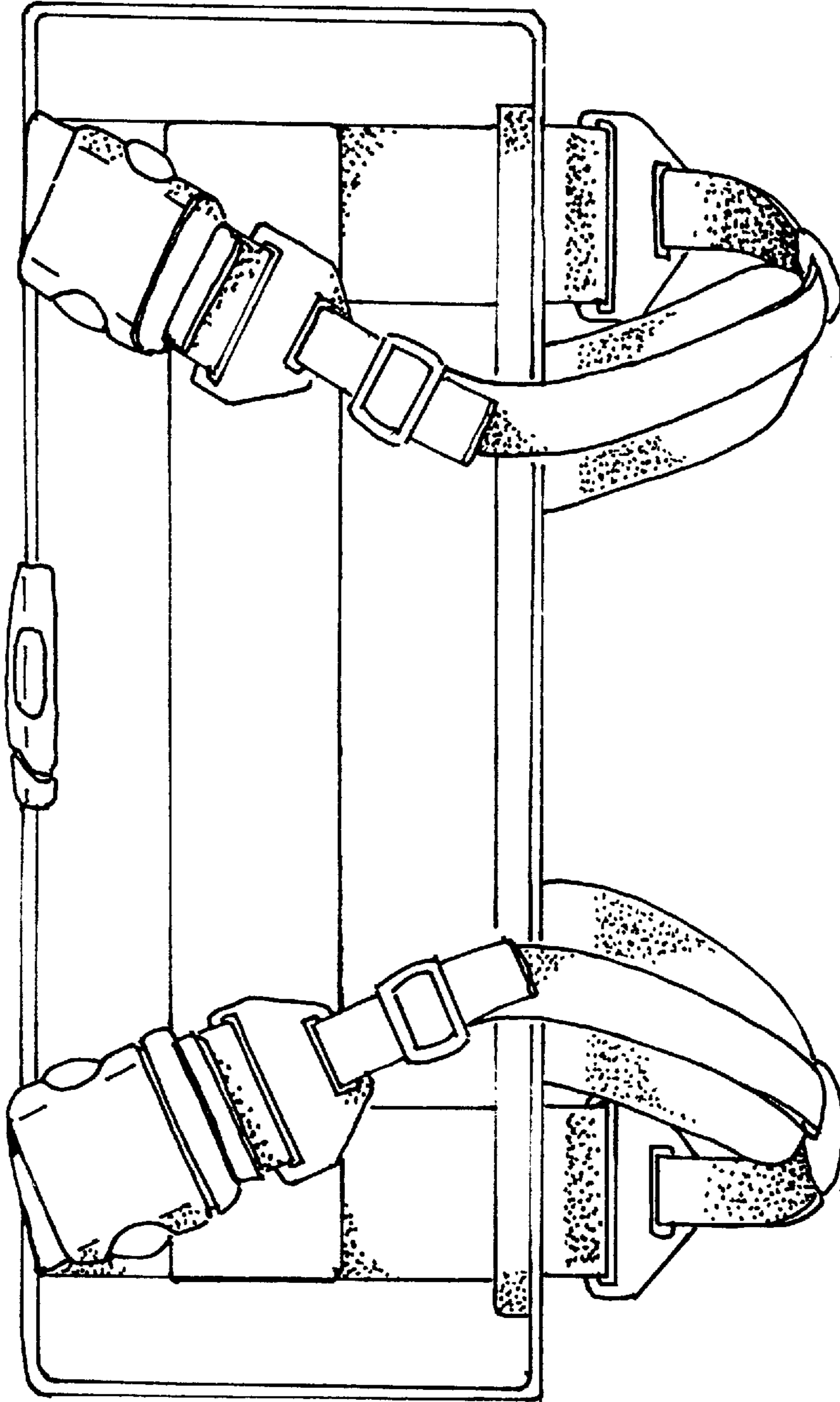


Fig. 5

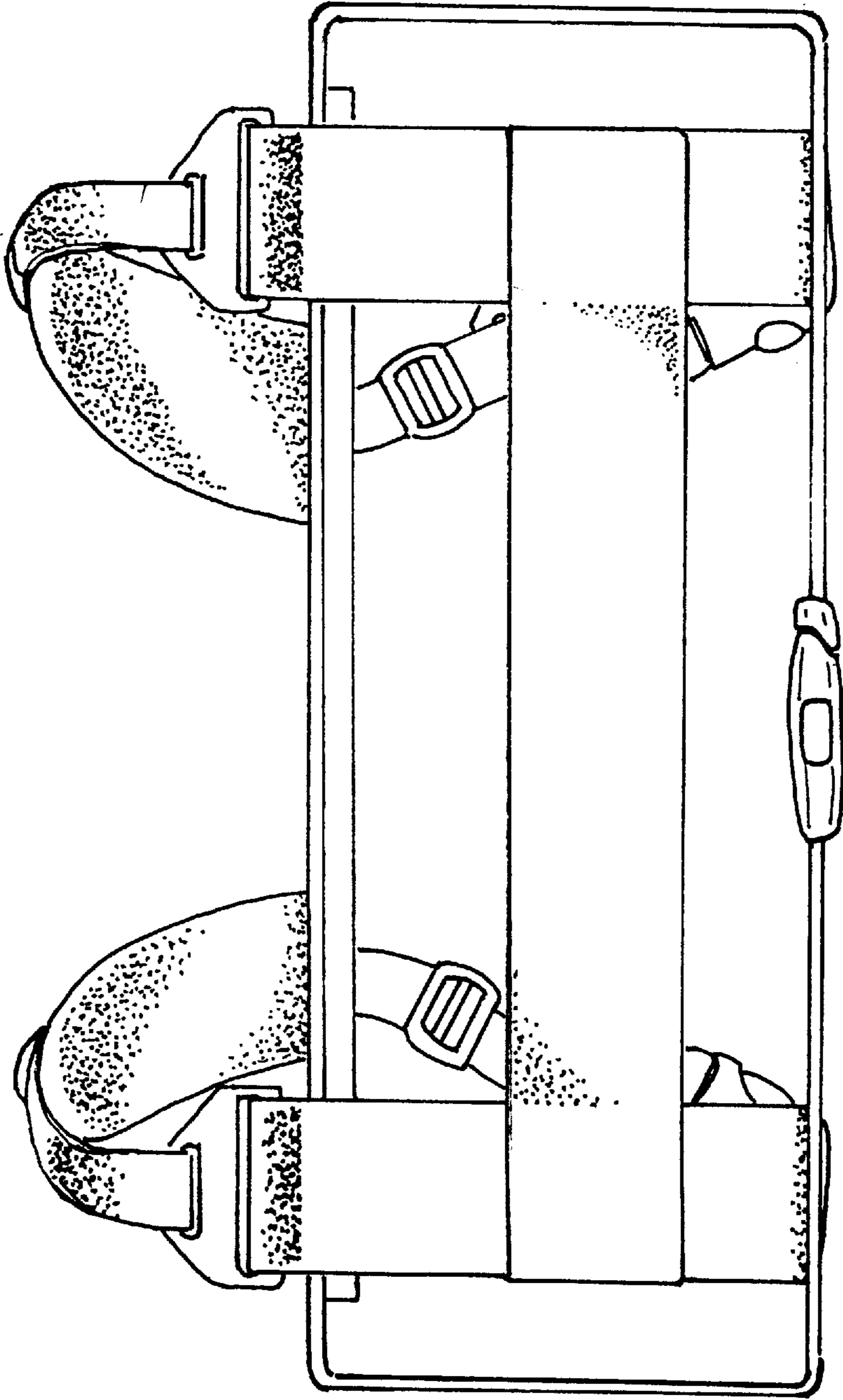


Fig. 6