



US00D406939S

United States Patent [19]

Rosdail

[11] **Patent Number: Des. 406,939**

[45] **Date of Patent: **Mar. 23, 1999**

[54] **SOFT GOLF CLEAT**

[76] Inventor: **Dustun A. Rosdail**, 420 Herald Harbor Rd., Crownsville, Md. 21032

[**] Term: **14 Years**

[21] Appl. No.: **87,306**

[22] Filed: **Apr. 30, 1998**

[51] **LOC (6) Cl. 02-04**

[52] **U.S. Cl. D2/962**

[58] **Field of Search D2/962; 36/126-130, 36/134, 135, 67 A, 67 B, 67 C, 62, 59 R**

[56] **References Cited**

U.S. PATENT DOCUMENTS

39,575 8/1863 Hyatt et al. 36/67 D
D. 288,262 2/1987 Yokoishi D2/962

294,829 3/1884 West 36/67 D
2,061,963 11/1936 Gabriele 36/59 R
4,014,114 3/1977 Jordan et al. 36/67 D
5,029,405 7/1991 DeHaitre 36/134

Primary Examiner—Doris V. Coles
Attorney, Agent, or Firm—Henderson & Sturm

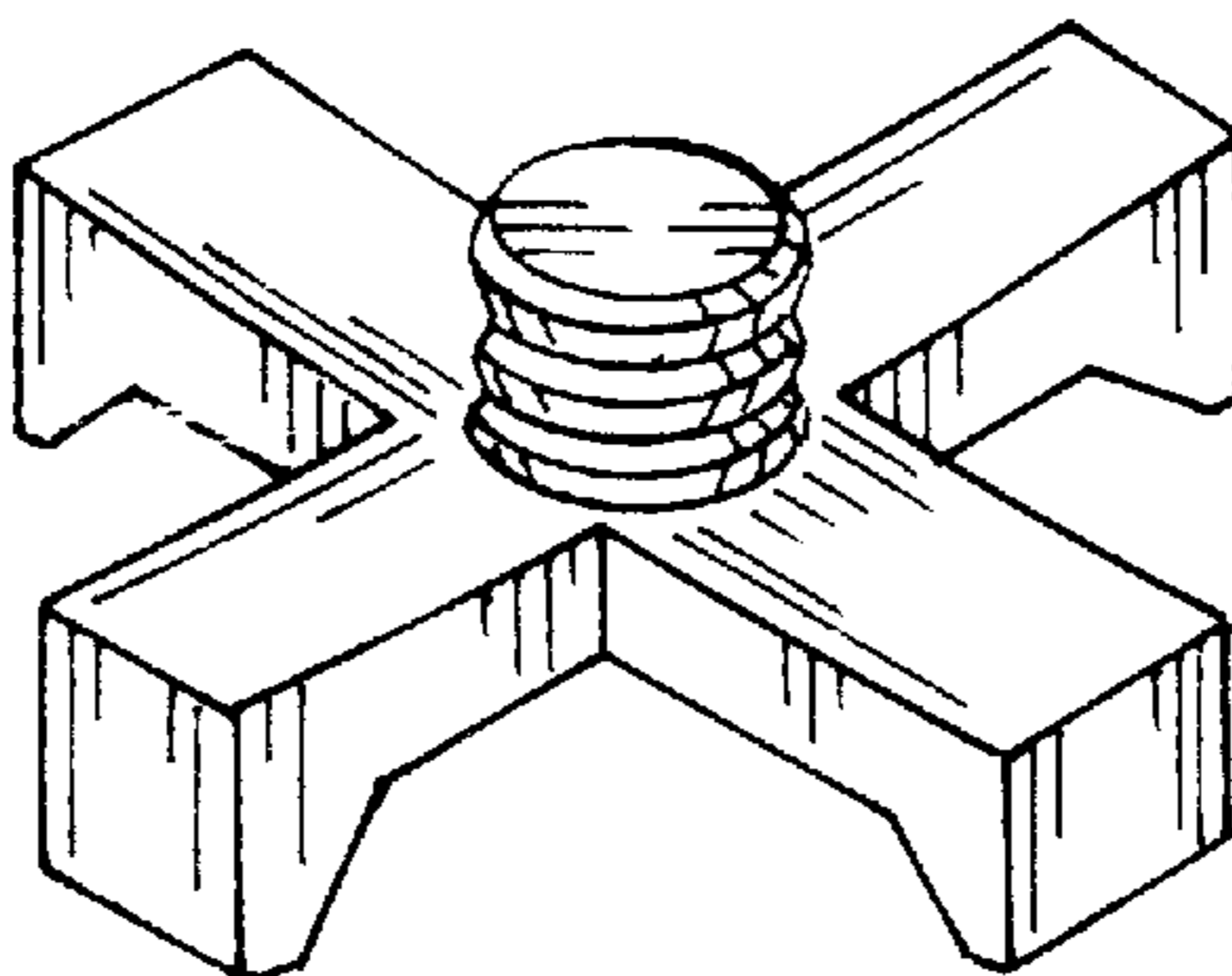
[57] **CLAIM**

The ornamental design for a soft golf cleat, as shown and described.

DESCRIPTION

FIG. 1 is a perspective view of a soft golf cleat showing my new design;
FIG. 2 is a side elevational view thereof;
FIG. 3 is a top plan view thereof; and,
FIG. 4 is a bottom plan view thereof.

1 Claim, 1 Drawing Sheet



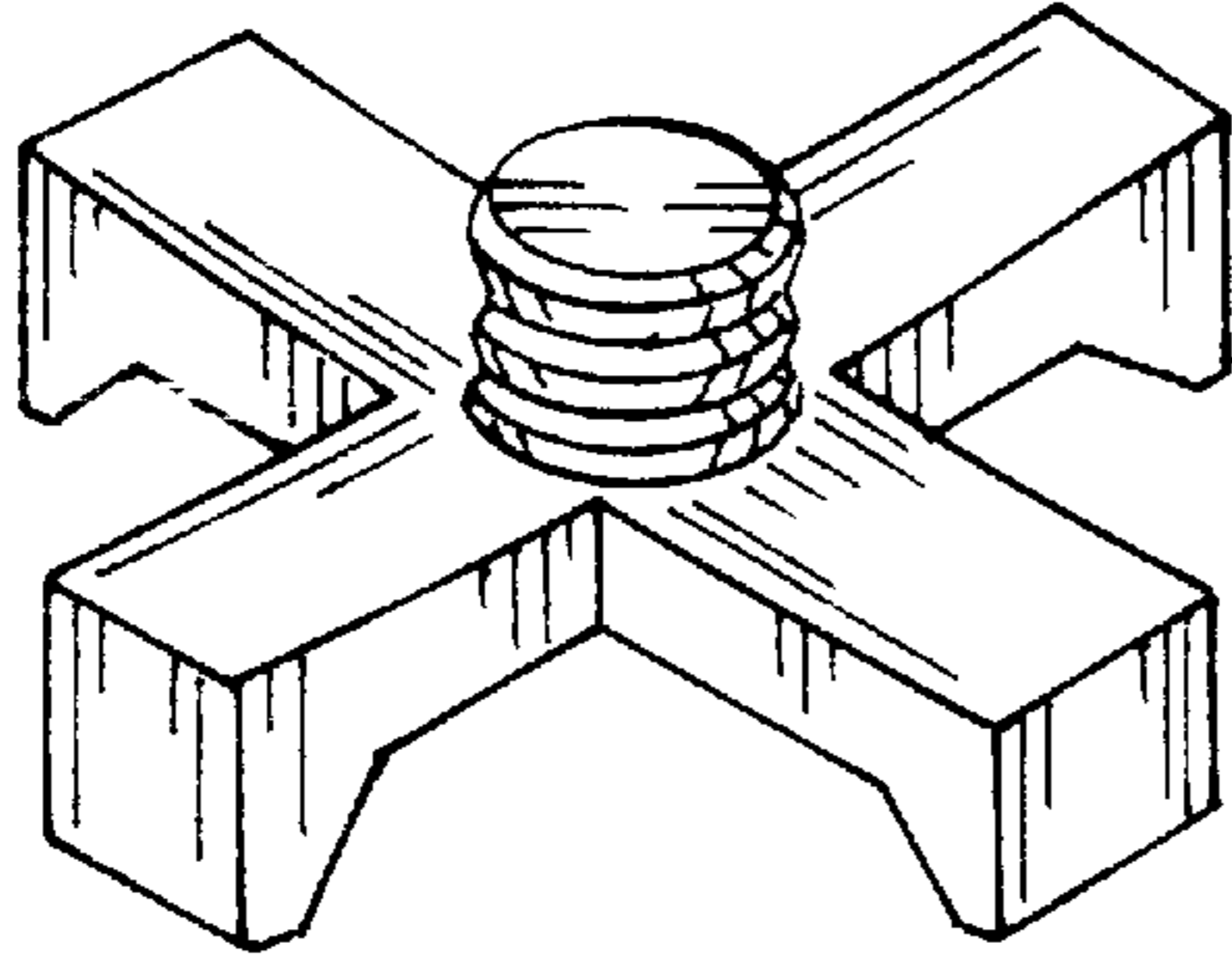


Fig. 1

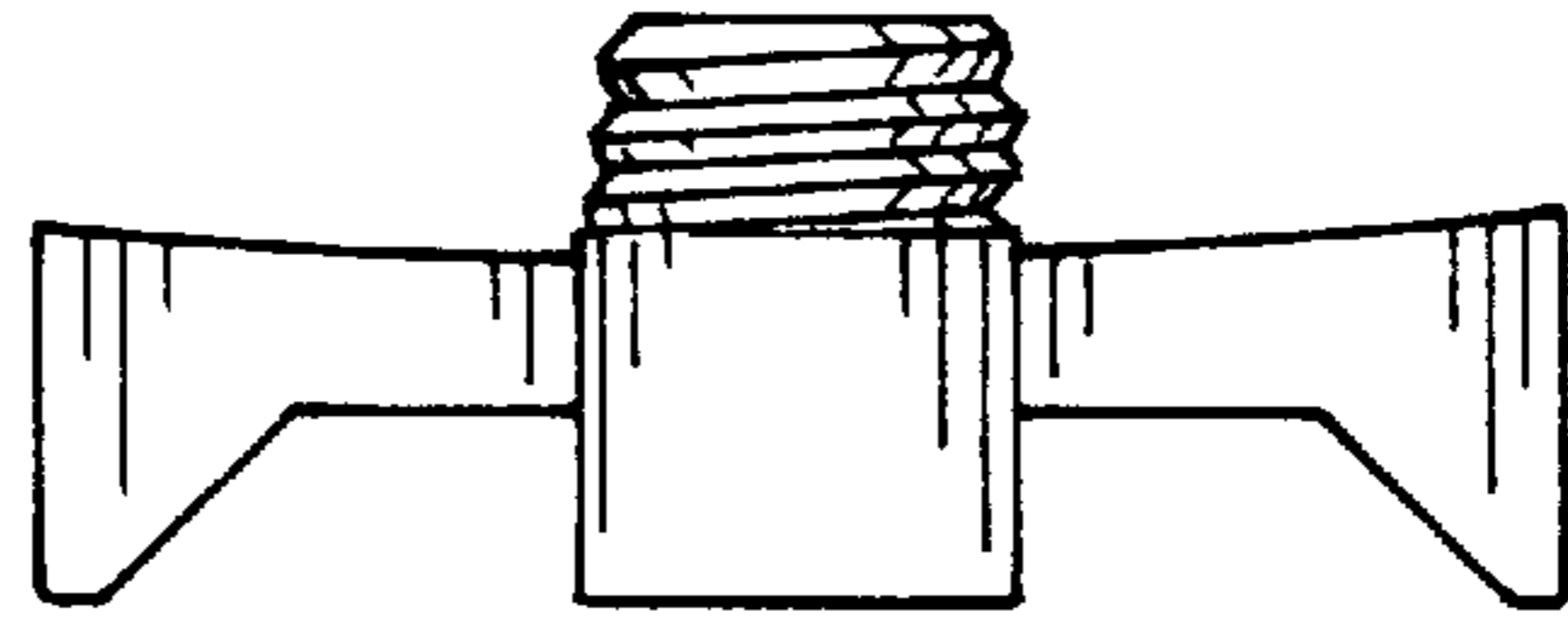


Fig. 2

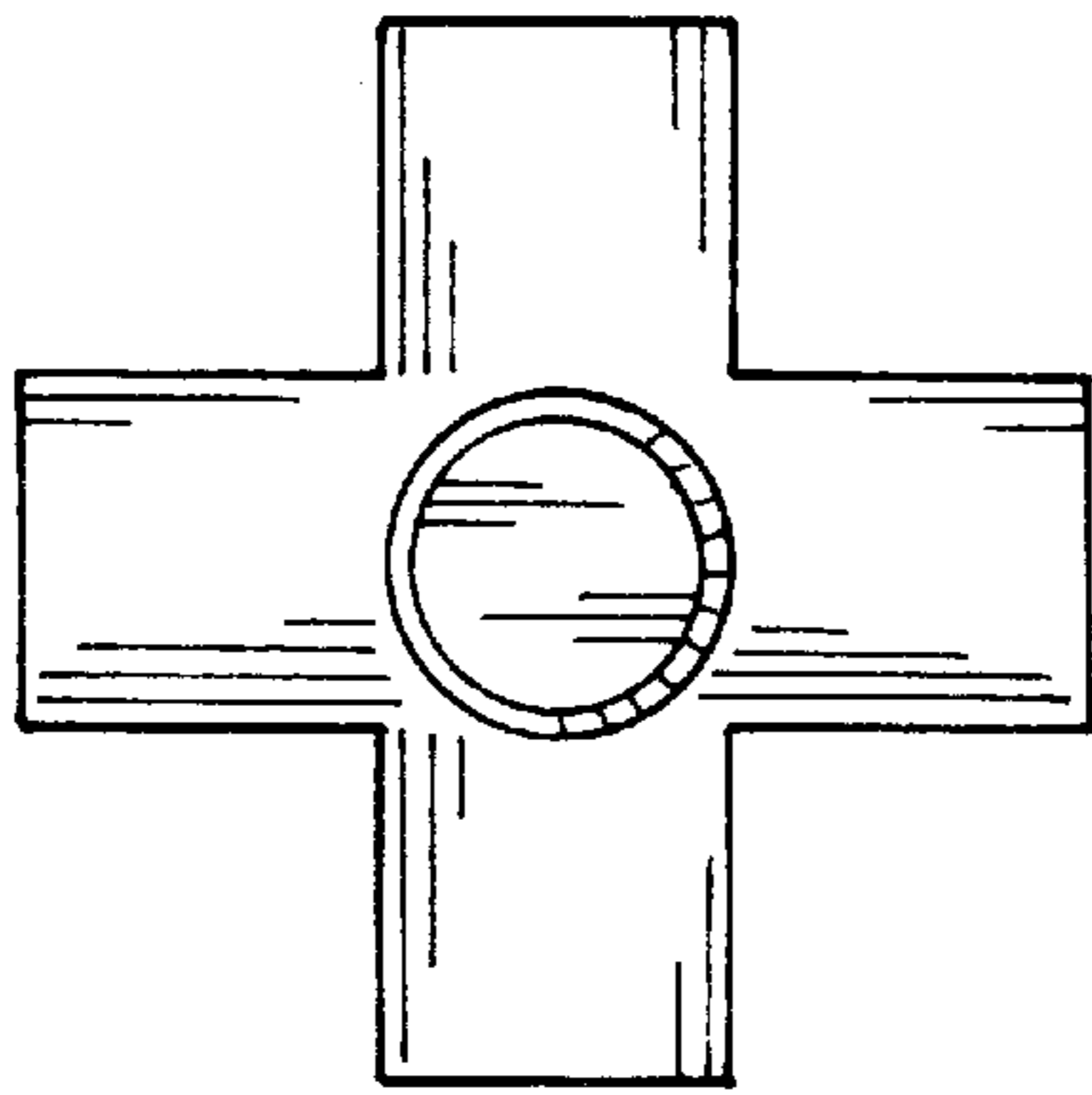


Fig. 3

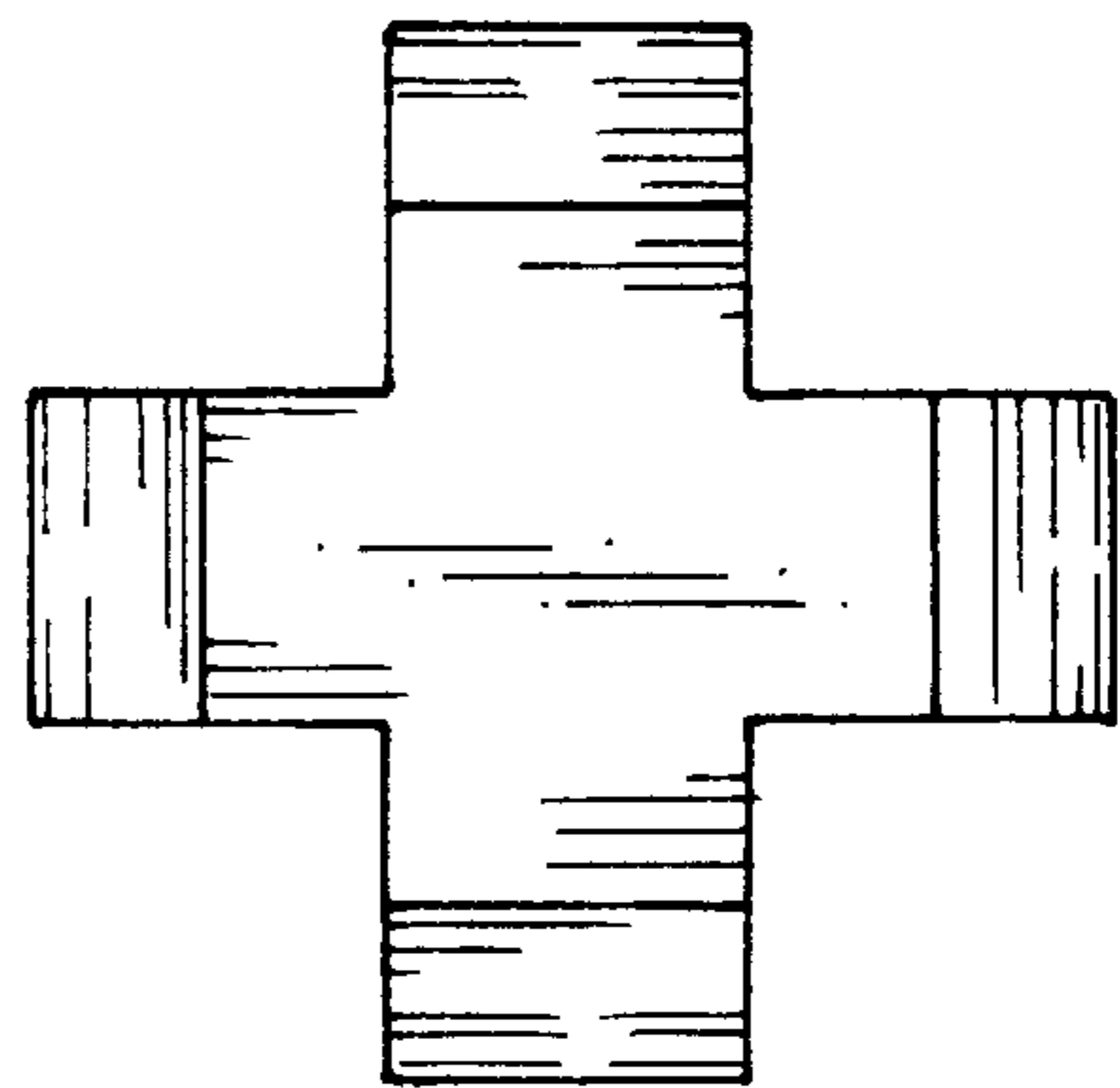


Fig. 4