



US00D406932S

United States Patent [19] Hodges

[11] **Patent Number: Des. 406,932**

[45] **Date of Patent: **Mar. 16, 1999**

[54] **MOP HEAD**

[75] Inventor: **Michael W. Hodges**, Aurora, Colo.

[73] Assignee: **Bonakemi USA, Inc.**, Denver, Colo.

[**] Term: **14 Years**

[21] Appl. No.: **85,698**

[22] Filed: **Mar. 27, 1998**

[51] **LOC (6) Cl. 04-01**

[52] **U.S. Cl. D32/50**

[58] **Field of Search** D32/40, 50, 51,
D32/52; 15/115, 119.1, 119.2, 116.1, 116.2,
228, 229.1, 147.1, 147.2, 143.1, 144.1,
144.2, 144.3, 144.4, 229.3

[56] **References Cited**

U.S. PATENT DOCUMENTS

D. 295,914	5/1988	Moss et al.	D32/50
D. 368,561	4/1996	Hodges et al. .	
2,912,710	11/1959	Vosbikian et al. .	
3,651,534	3/1972	Leland	15/144.1 X
3,737,938	6/1973	Saltzstein .	
3,778,860	12/1973	Thielen .	
3,792,505	2/1974	Saltzstein	15/147.1 X
4,070,128	1/1978	Garrison .	

4,656,686	4/1987	Moss et al.	15/147.1
4,829,719	5/1989	Braselton .	
4,852,210	8/1989	Krajicek .	
4,885,876	12/1989	Henke .	
5,455,980	10/1995	Buchanan	15/228

Primary Examiner—Susan J. Lucas
Assistant Examiner—Cynthia E Ramirez
Attorney, Agent, or Firm—Klass, Law, O’Meara & Malkin, P.C.; William P. O’Meara

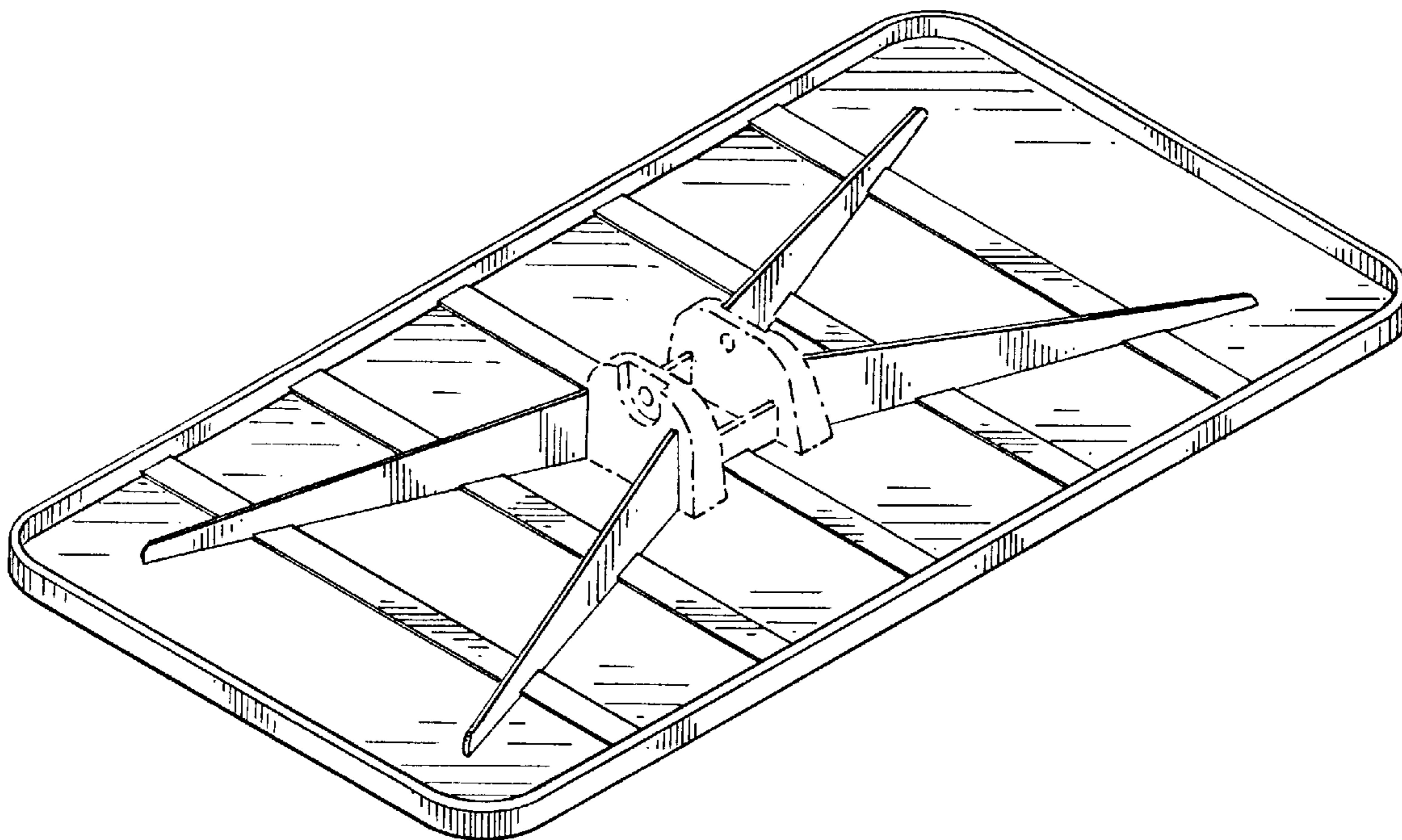
[57] **CLAIM**

The ornamental design for a mop head, as shown and described.

DESCRIPTION

FIG. 1 is a perspective view of a mop head showing my/our new design;
FIG. 2 is a top plan view thereof;
FIG. 3 is a bottom plan view;
FIG. 4 is a front, elevation view of which the rear elevation view is identical;
FIG. 5 is a right side elevation view of which the left side elevation view is identical; and,
FIG. 6 is a cross-sectional elevation view taken along the central longitudinal axis of the mop head and facing rearwardly.

1 Claim, 2 Drawing Sheets



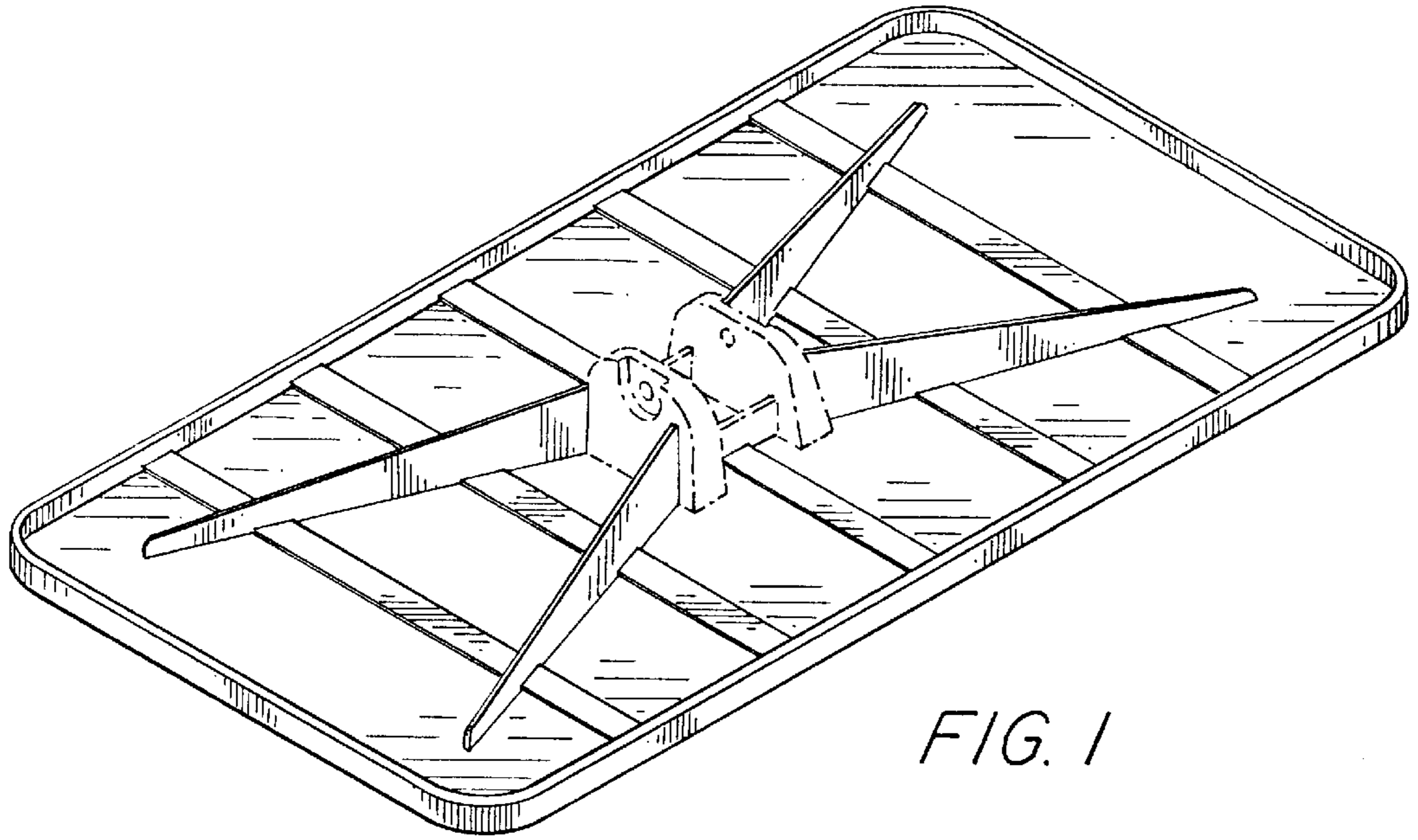


FIG. 1

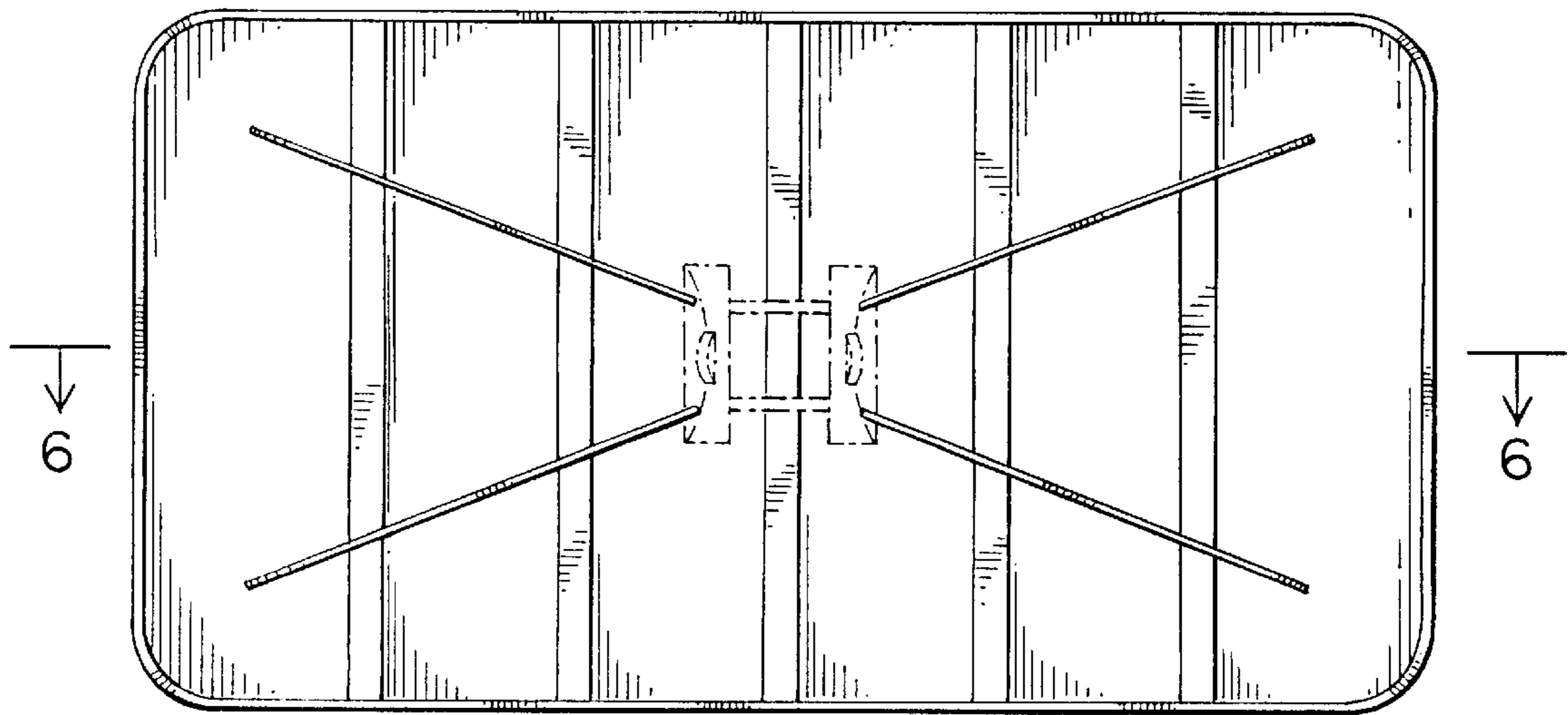


FIG. 2

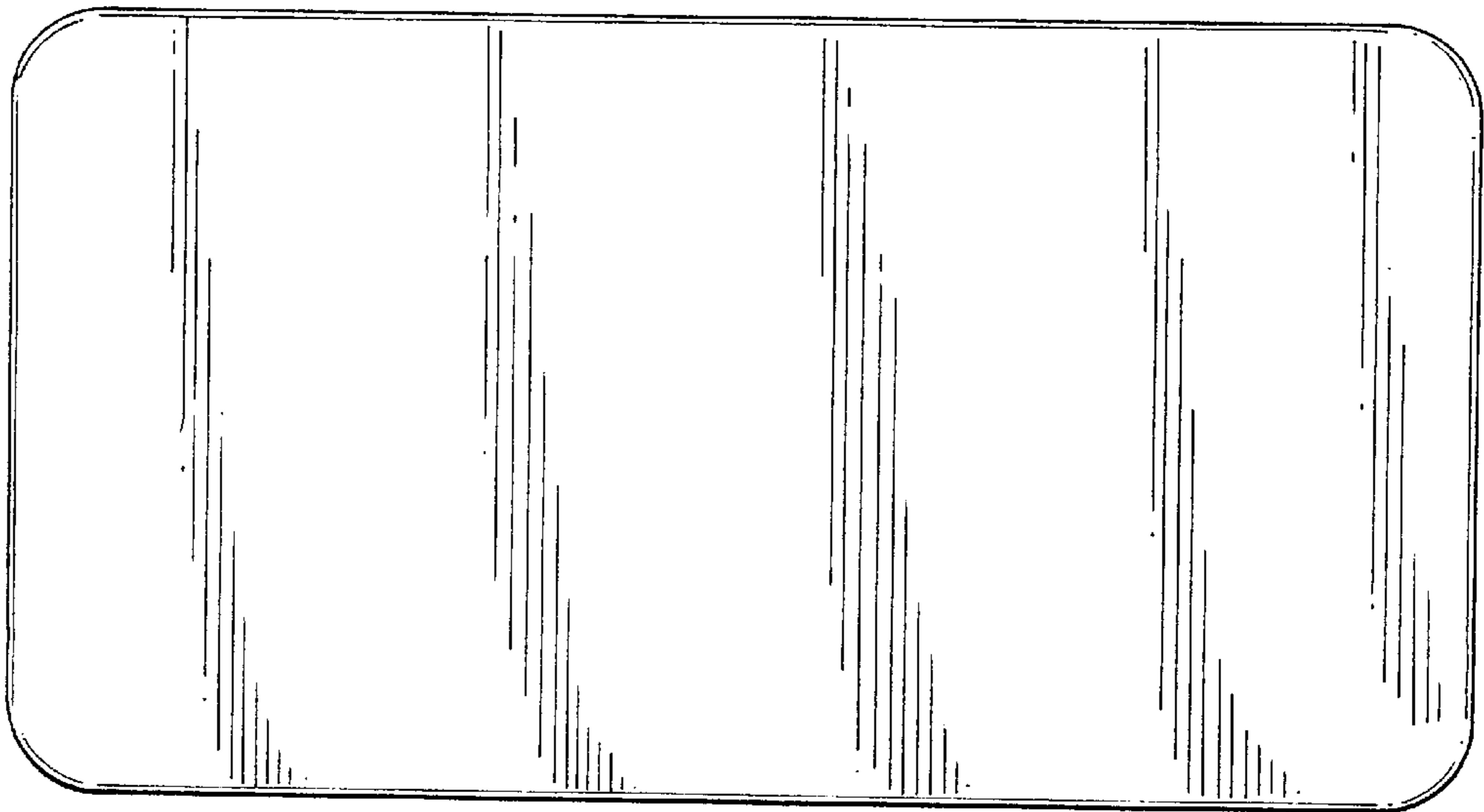


FIG. 3



FIG. 4

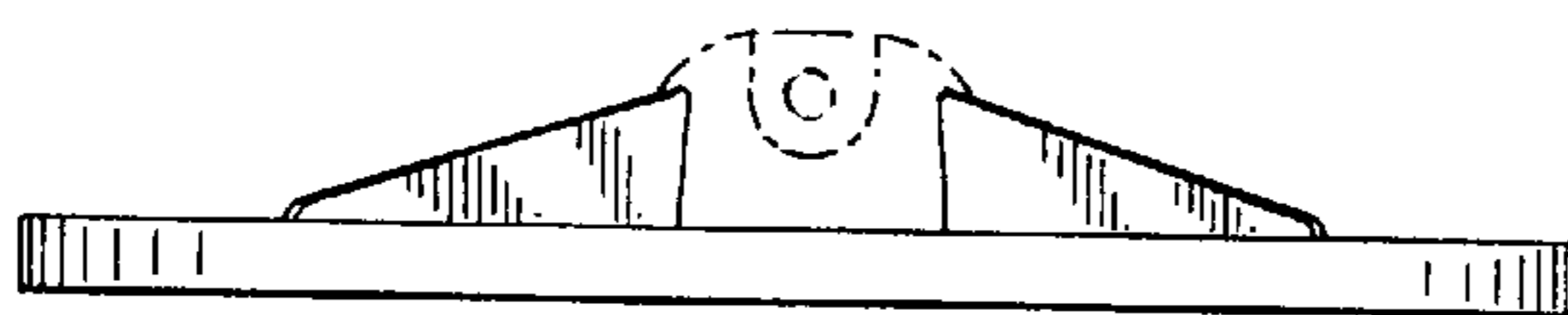


FIG. 5

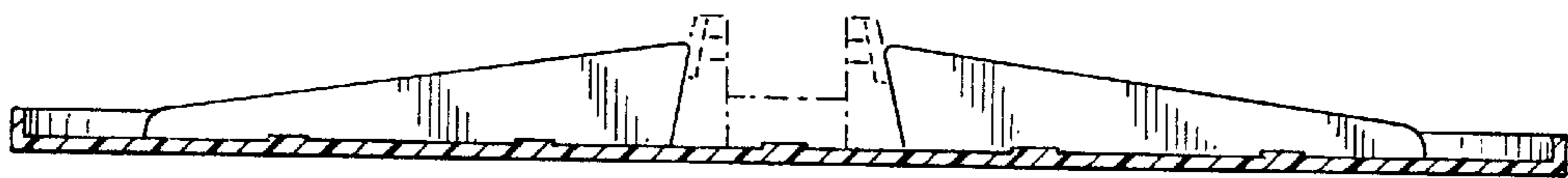


FIG. 6