



US00D406930S

United States Patent [19] Epps

[11] Patent Number: **Des. 406,930**

[45] Date of Patent: ****Mar. 16, 1999**

[54] **PLUNGER**

[76] Inventor: **Oliver Wendell Epps**, 2433 Winding Ridge Rd., Odenton, Md. 21113

[**] Term: **14 Years**

[21] Appl. No.: **82,521**

[22] Filed: **Jan. 23, 1998**

[51] **LOC (6) Cl.** **08-99**

[52] **U.S. Cl.** **D32/35**

[58] **Field of Search** D32/35; 15/406; 4/255.01, 255.05, 255.06-255.12; D8/14

[56] **References Cited**

U.S. PATENT DOCUMENTS

D. 46,996	2/1915	Howell .
593,225	11/1897	Macklin .
862,824	8/1907	Howell .
975,527	11/1910	Howell .
1,594,831	8/1926	Hartman .
2,844,826	7/1958	Cheiten .
3,021,532	2/1962	Gross .

3,336,604	8/1967	Lacey	4/255
4,768,237	9/1988	Torti	4/255.05 X
5,384,918	1/1995	Leighton et al.	4/255.05

Primary Examiner—Susan J. Lucas
Assistant Examiner—Cynthia E. Ramirez
Attorney, Agent, or Firm—Goldstein & Canino

[57] **CLAIM**

The ornamental design for a plunger, as shown and described.

DESCRIPTION

FIG. 1 is a diagrammatic perspective view of the plunger in full lines with a drain and hands shown in broken lines representing environmental association matter being for illustrative purposes only and forming no part of the claimed invention.

FIG. 2 is a front elevational view thereof, the rear, left and right side elevational views being mirror images of the front view;

FIG. 3 is a top plan view of the plunger; and, FIG. 4 is a bottom plan view thereof.

1 Claim, 2 Drawing Sheets

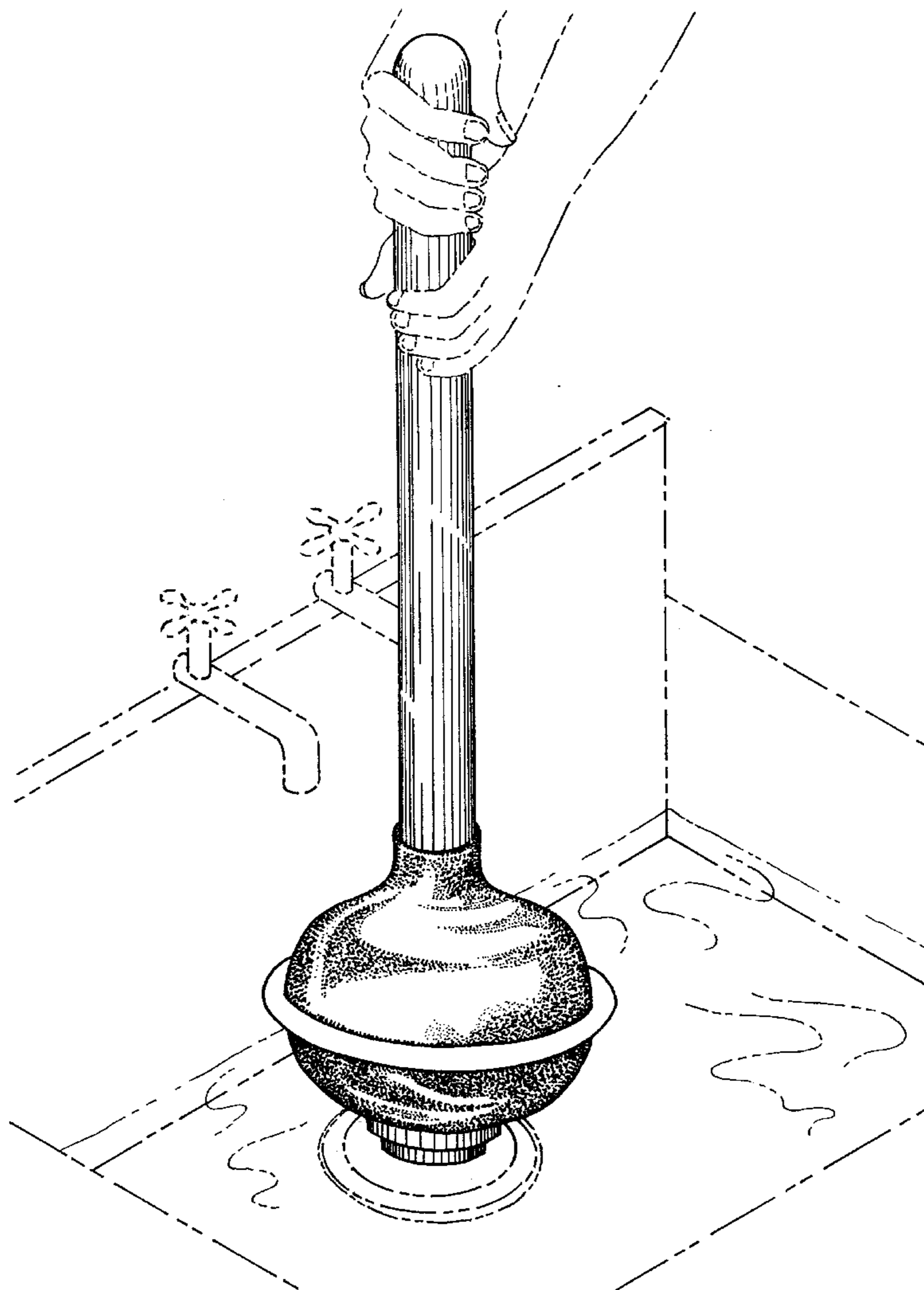


FIG. 1

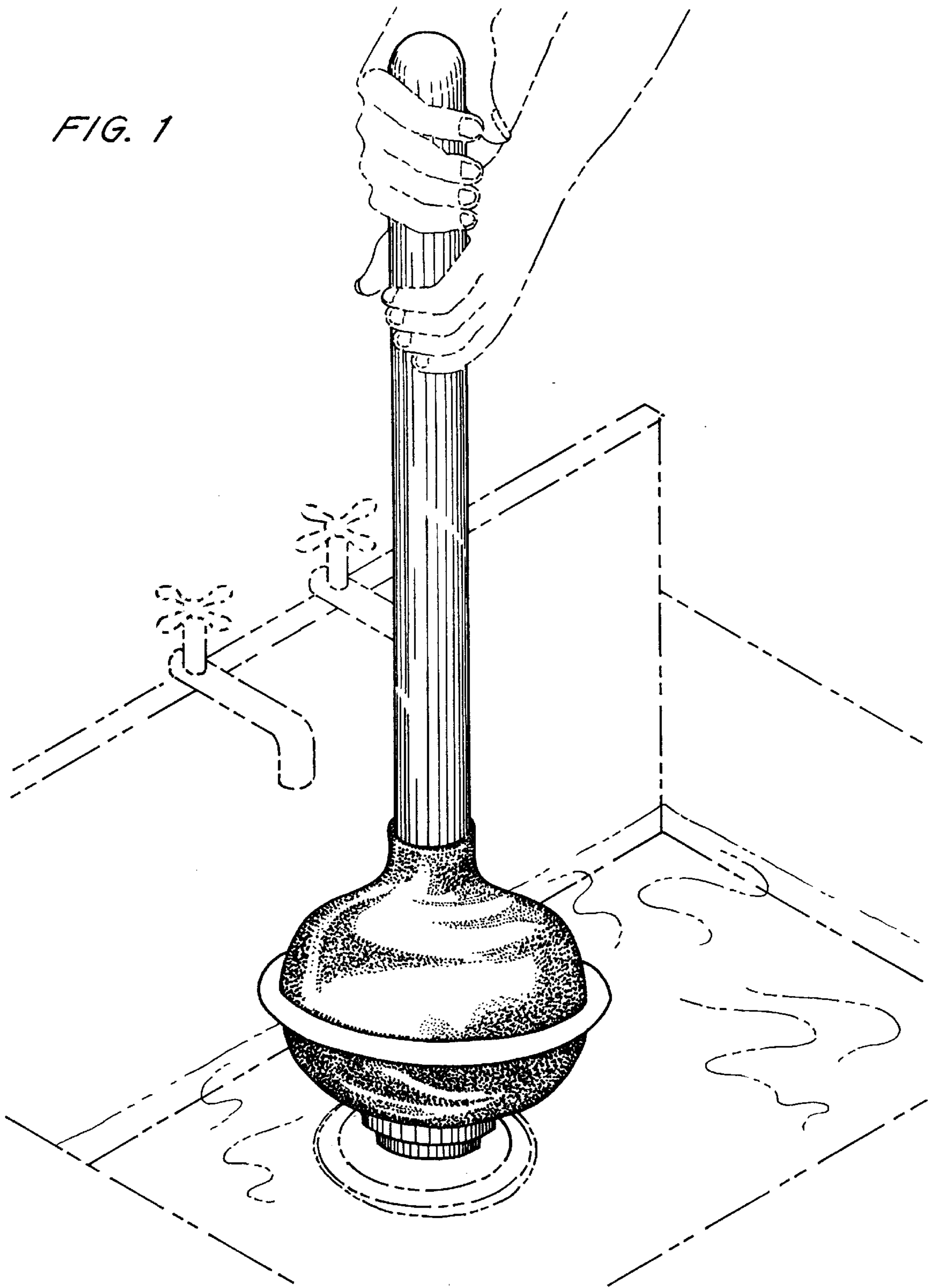


FIG. 2

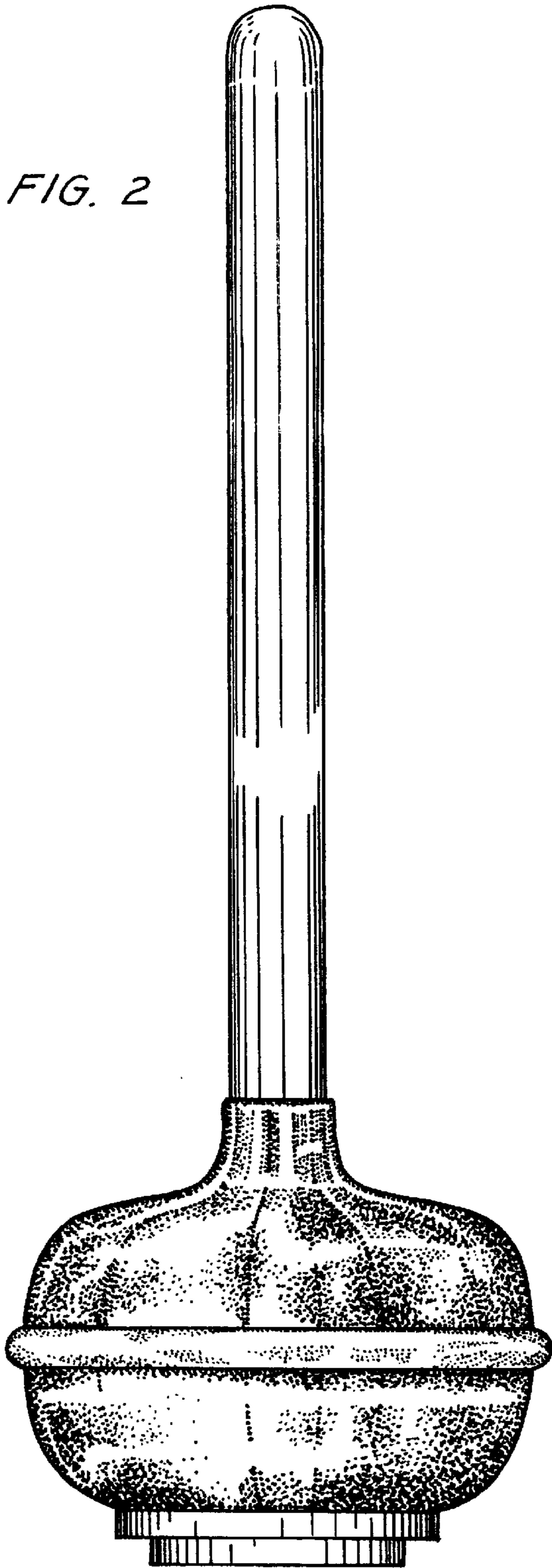


FIG. 3

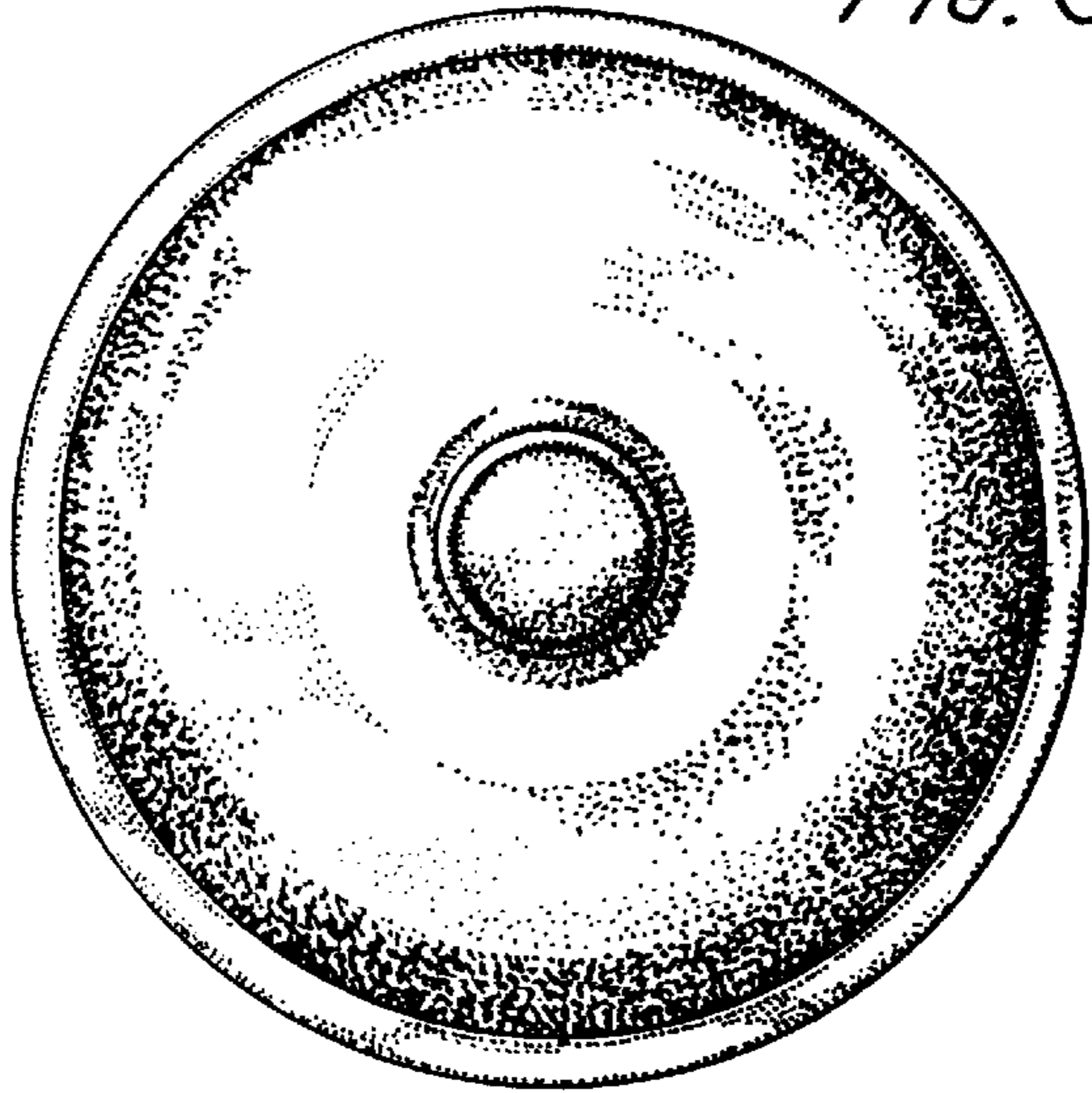


FIG. 4

