



US00D406929S

United States Patent [19]

[11] **Patent Number: Des. 406,929**

Hsu

[45] **Date of Patent: **Mar. 16, 1999**

[54] **CLEANING DEVICE FOR LASER OPTICAL DISK**

D. 366,737 1/1996 Chen D9/428 X
D. 372,862 8/1996 Fiori D9/428
D. 373,954 9/1996 Wolff D9/428 X

[76] Inventor: **Chin-Tien Hsu**, No. 3, Alley 15, Lane 54, Fute 2nd Rd., Hsi Chih Chen, Taipei Hsien, Taiwan

Primary Examiner—Susan J. Lucas
Assistant Examiner—Cynthia E Ramirez
Attorney, Agent, or Firm—Morton J. Rosenberg; David I. Klein; Jun Y. Lee

[**] Term: **14 Years**

[21] Appl. No.: **75,294**

[57] **CLAIM**

[22] Filed: **Aug. 26, 1997**

The ornamental design for a cleaning device for laser optical disk, as shown.

[51] **LOC (6) Cl.** **08-99**

DESCRIPTION

[52] **U.S. Cl.** **D32/35; D9/428**

[58] **Field of Search** D34/35; D24/101; 15/DIG. 4; D9/428, 339, 420, 423, 424, 426; 206/528; 369/72

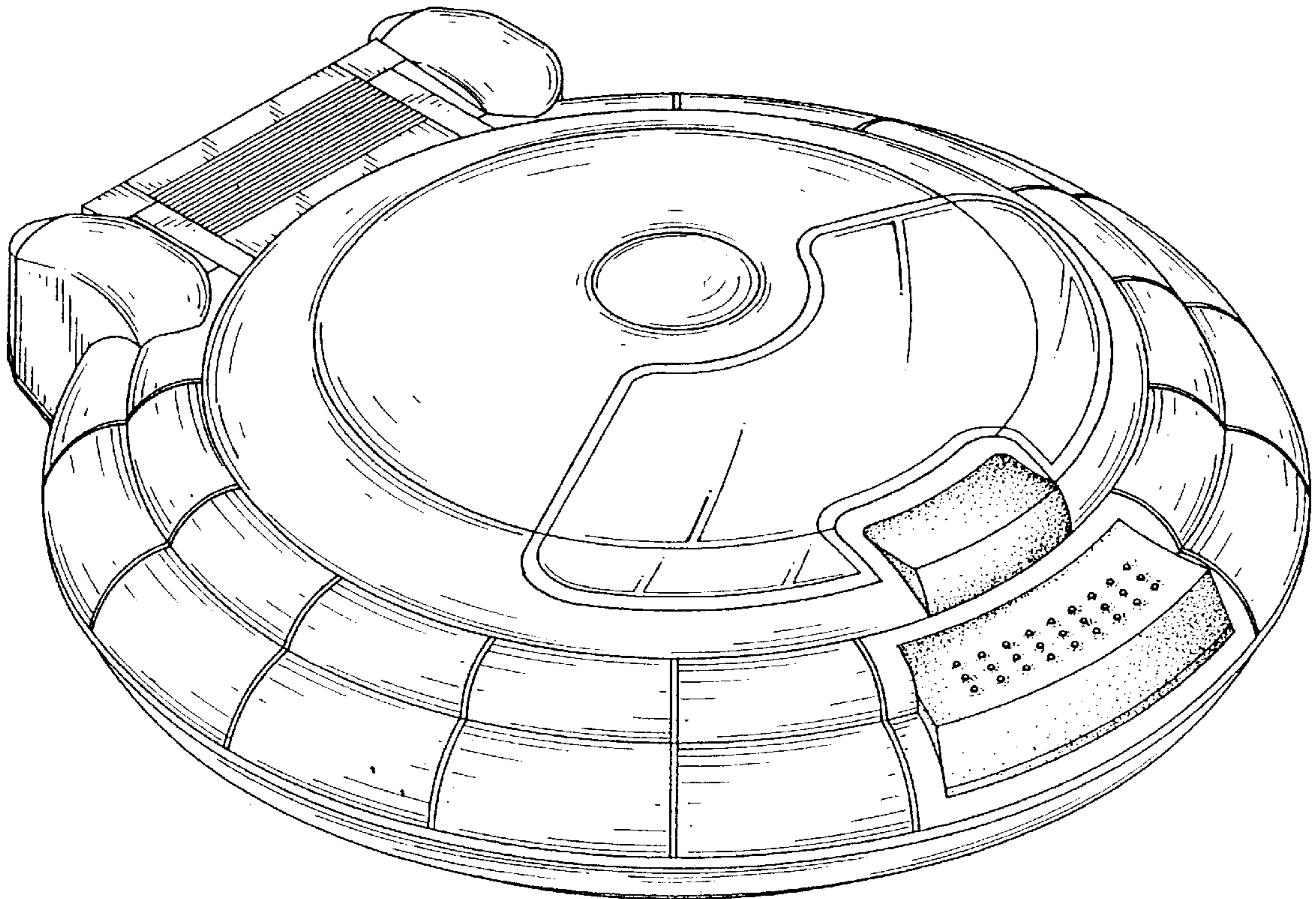
FIG. 1 is a front, left, top view of a cleaning device for laser optical disk showing my new design; FIG. 2 is a front view thereof; FIG. 3 is a rear view thereof; FIG. 4 is a left view thereof; FIG. 5 is a right view thereof; FIG. 6 is a top view thereof; and, FIG. 7 is a bottom view thereof.

[56] **References Cited**

U.S. PATENT DOCUMENTS

D. 275,902 10/1984 Yamada et al. D32/35
D. 277,326 1/1985 Allsop D32/35
D. 278,204 4/1985 Guerra, Jr. D32/35 X
D. 364,090 11/1995 Krupa D9/423 X

1 Claim, 5 Drawing Sheets



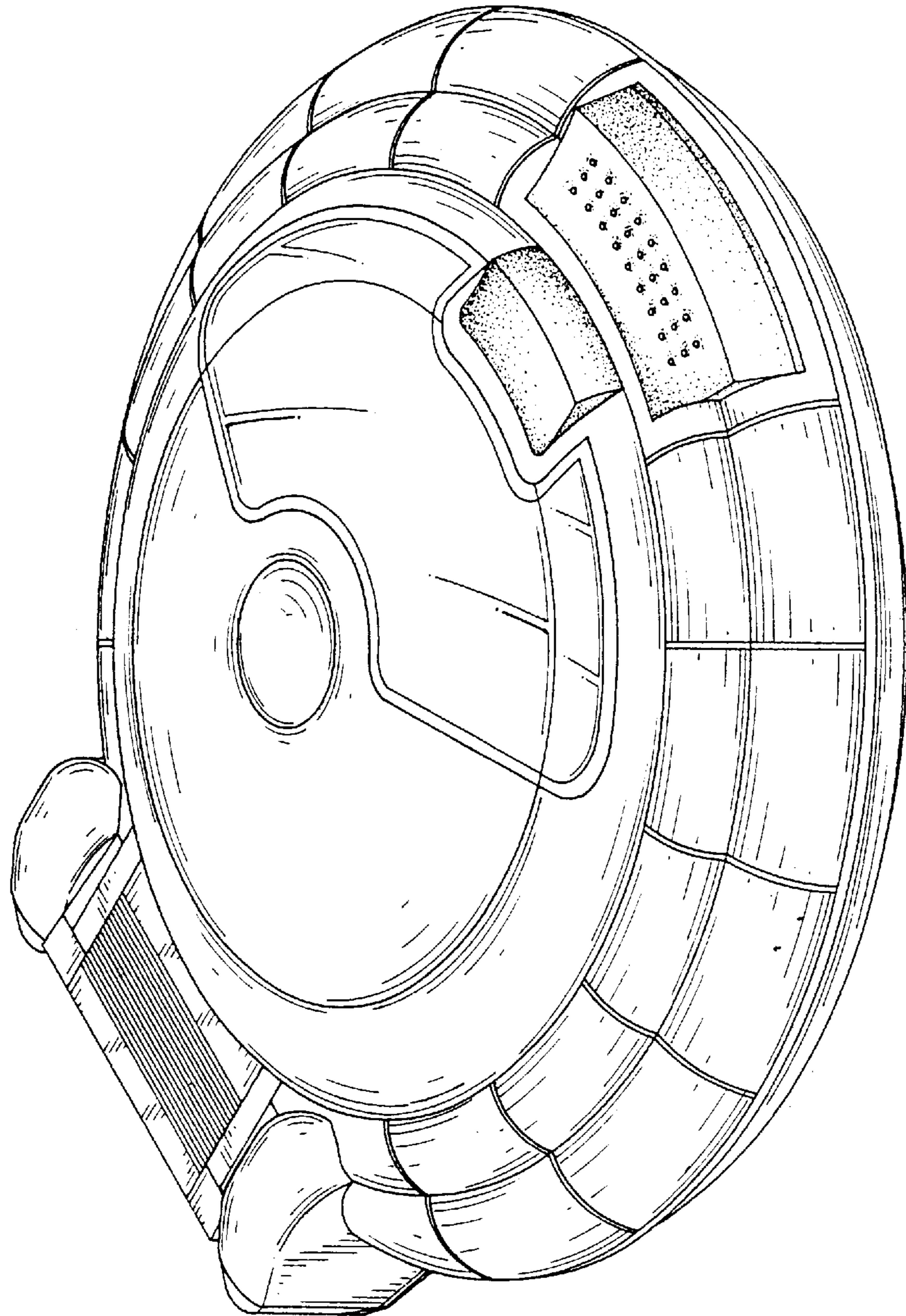


FIG.1

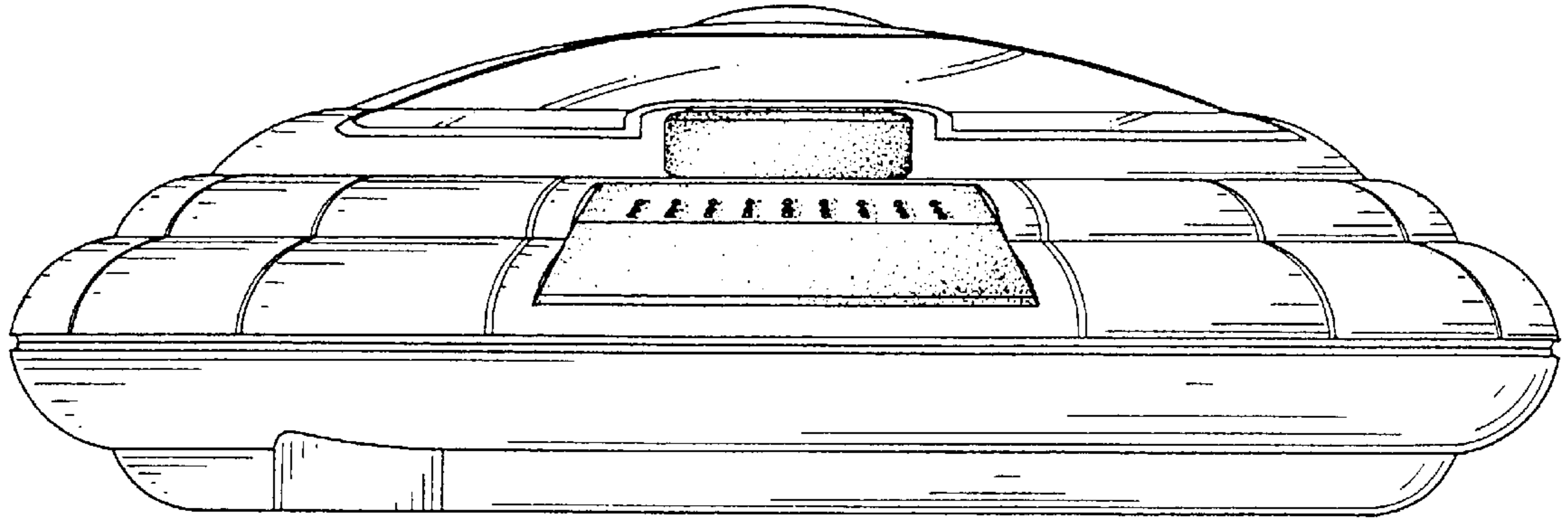


FIG. 2

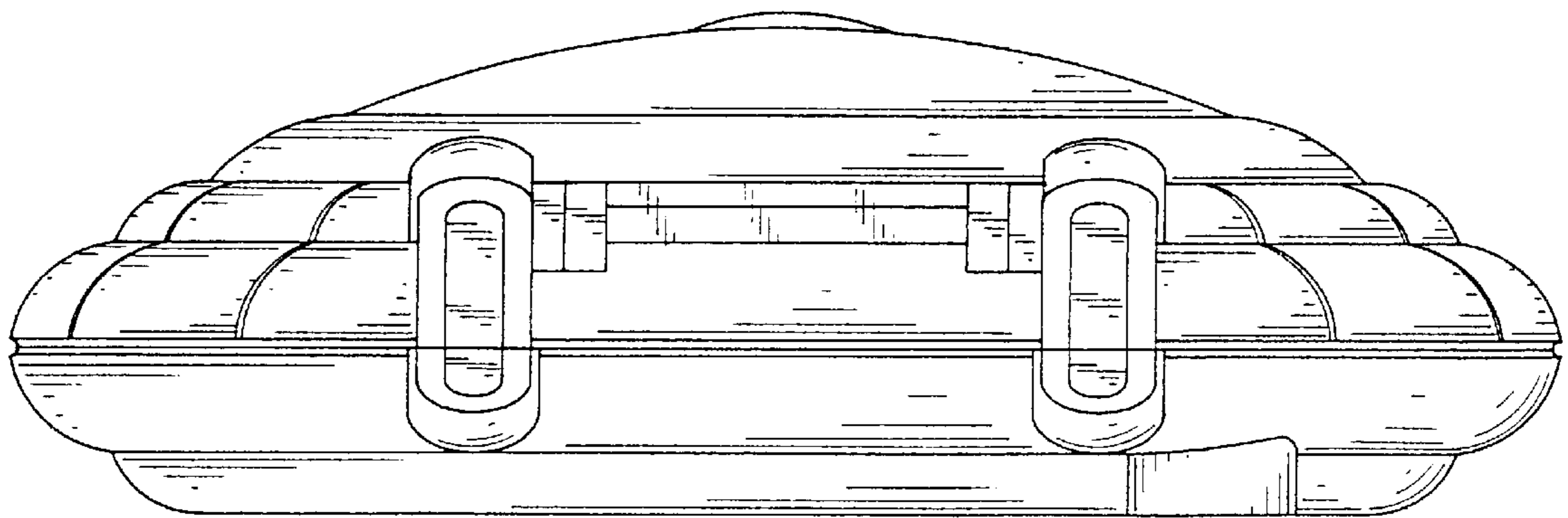


FIG. 3

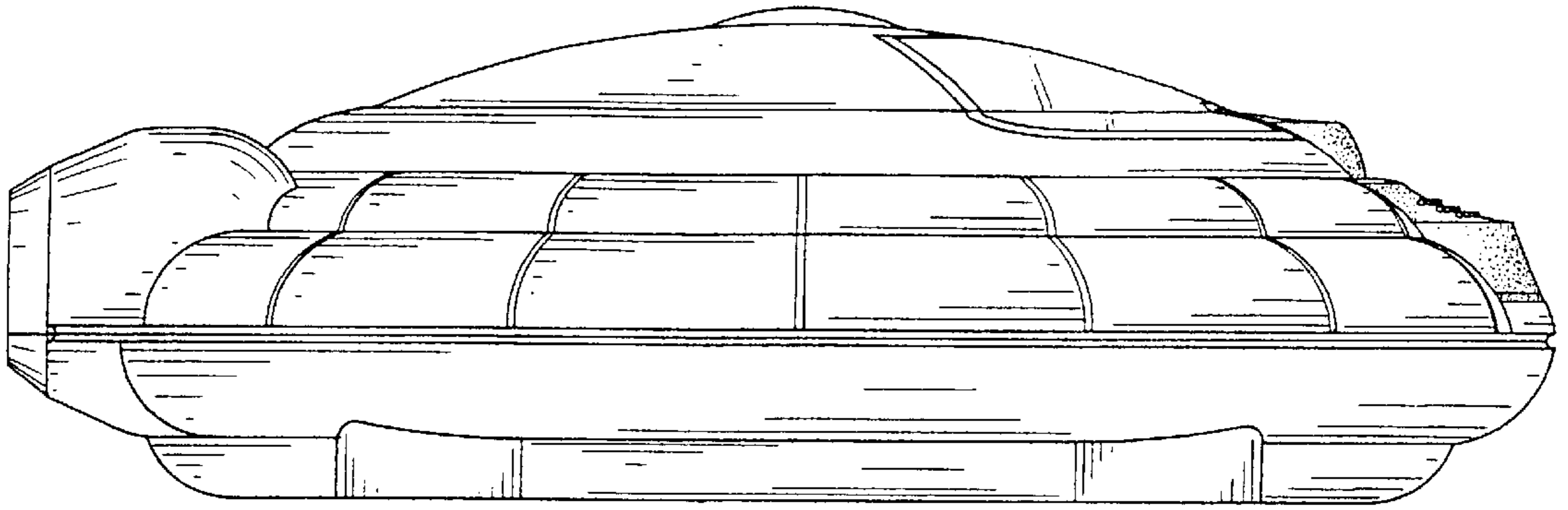


FIG. 4

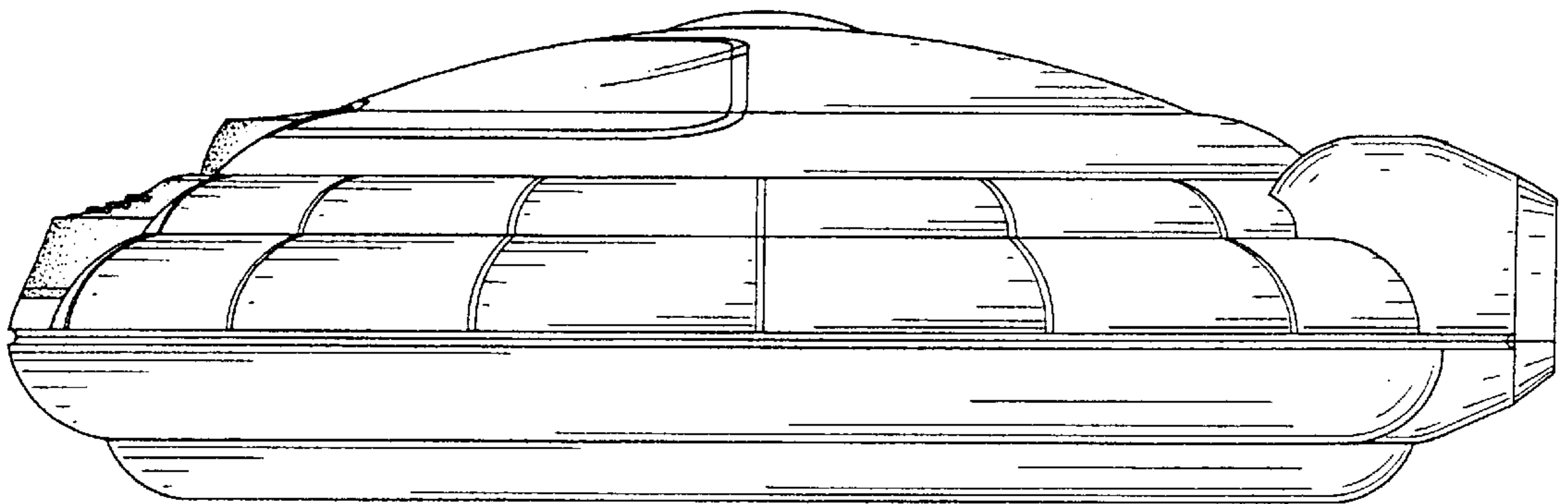


FIG. 5

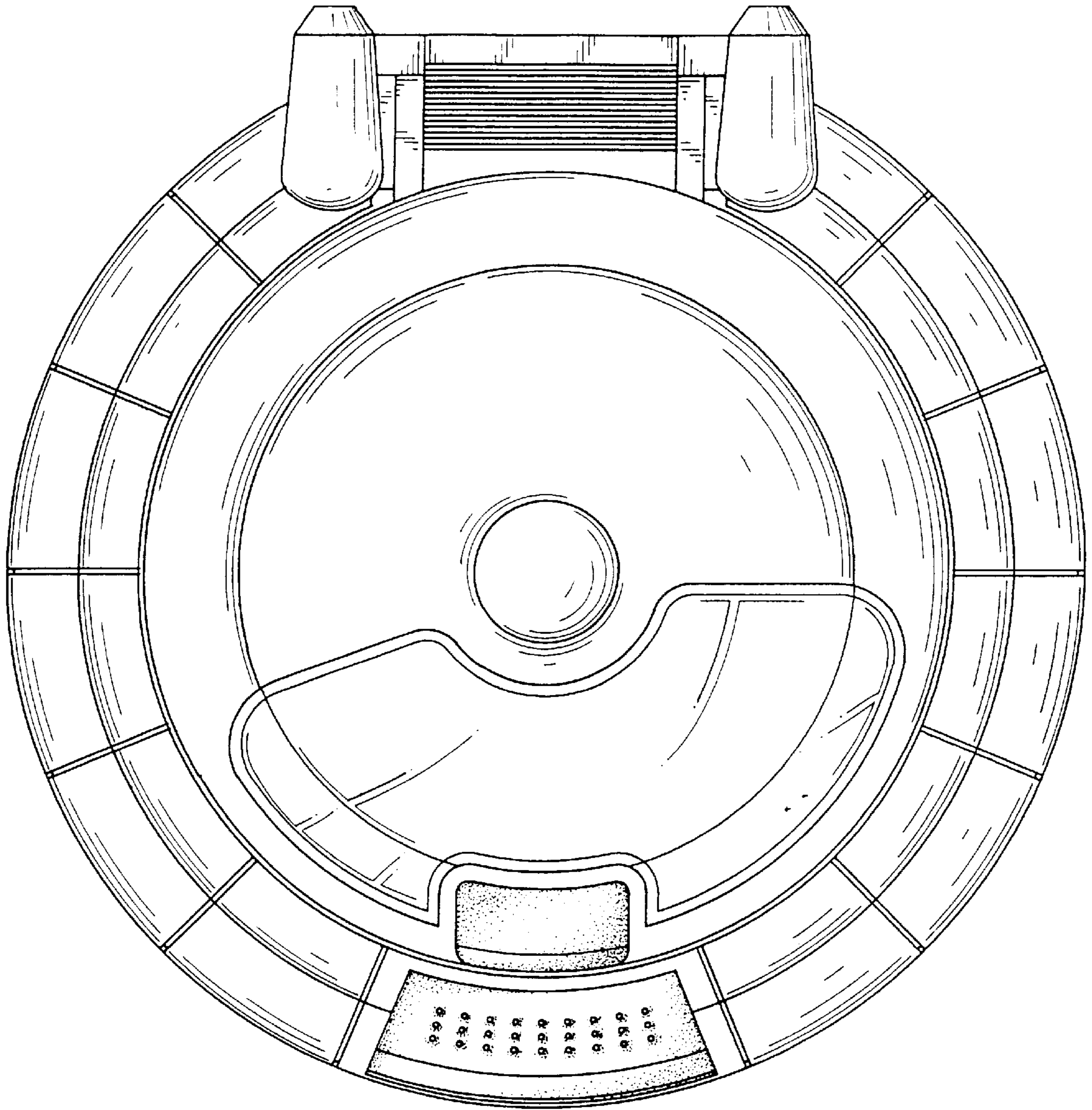


FIG. 6

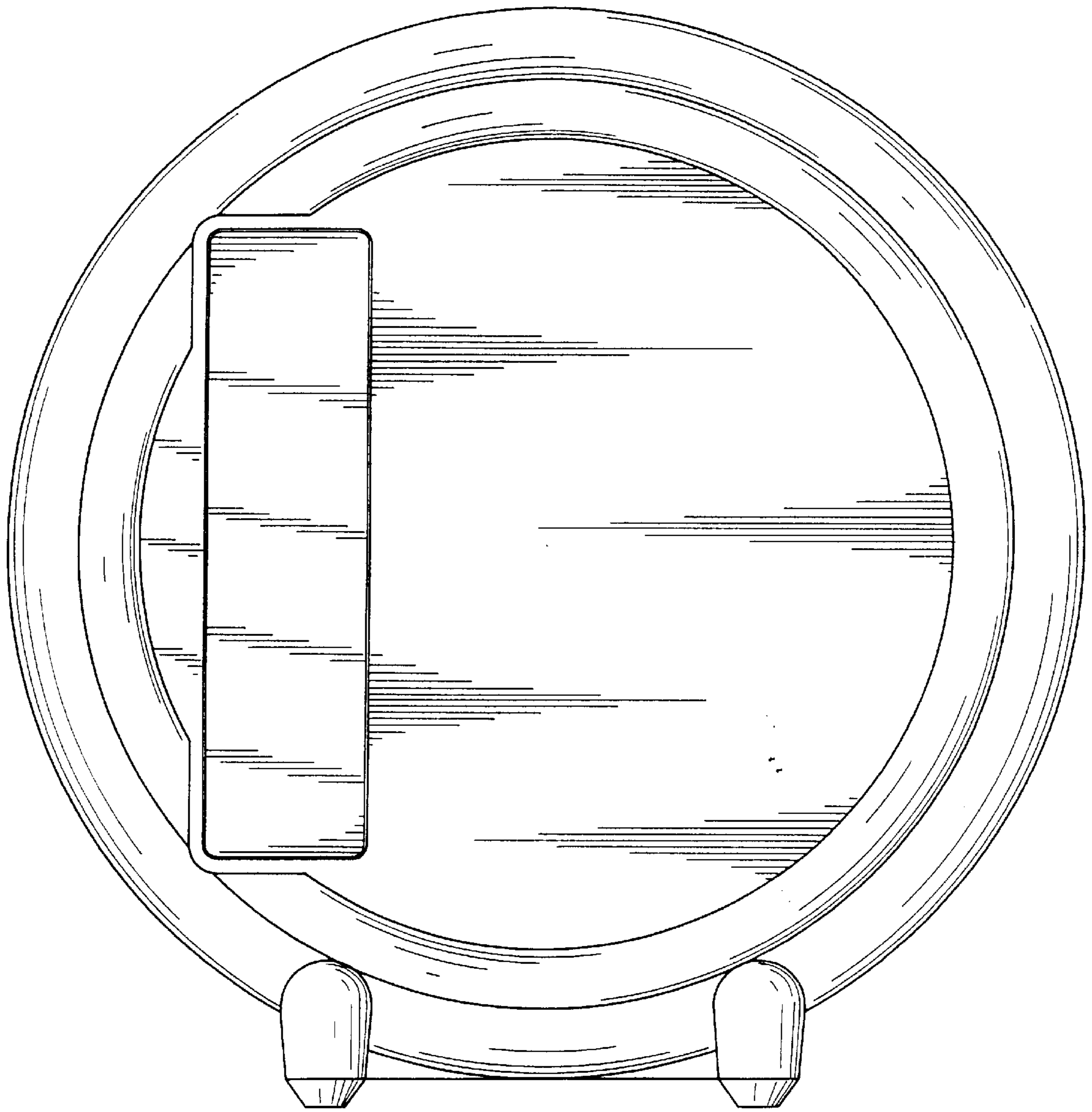


FIG.7