



US00D406927S

United States Patent [19] Feldmeier

[11] **Patent Number: Des. 406,927**

[45] **Date of Patent: **Mar. 16, 1999**

[54] **PET WASTE BAG HOLDER**

[76] Inventor: **Mary Ann Feldmeier**, 6305 A Pelican
Creek Crossing, St. Petersburg, Fla.
33707

[**] Term: **14 Years**

[21] Appl. No.: **74,494**

[22] Filed: **Jul. 31, 1997**

[51] **LOC (6) Cl. 30-99**

[52] **U.S. Cl. D30/162; D8/10**

[58] **Field of Search D30/162; 119/801,
119/795, 858; 294/1.3, 1.4, 55, 99.1, 99.2,
118-119; 248/101; D7/686-687; D8/10,
13; 383/4**

[56] **References Cited**

U.S. PATENT DOCUMENTS

D. 230,868	3/1974	Dorzan	D30/162
D. 262,686	1/1982	Anderson	D30/162
D. 279,512	7/1985	Schaffer	D30/162
D. 292,035	9/1987	Aksamit	D30/162
D. 328,373	7/1992	Murray	D30/162
D. 333,888	3/1993	Visser	D30/162
D. 333,952	3/1993	Wolf	D30/162
1,662,170	3/1928	Sahlstrom	294/55

2,829,390	4/1958	Noland	294/55
2,987,749	6/1961	Gortner	294/55
3,380,772	4/1968	Lissakers	D8/10
4,058,337	11/1977	Isac	294/1.4
4,238,868	12/1980	Sternberg	248/101
4,848,818	7/1989	Smith	294/55
5,456,509	10/1995	Martin et al.	294/55

OTHER PUBLICATIONS

Hanover House Catalog; p. 46; Dust Pan Set, Jan. 1991.
The Alsto Company 'handy helpers' Catalog; p. 29; Doggie
Dooley Dog Waste Clean-Up System, Sep. 1994.

Primary Examiner—Cathy Anne MacCormac

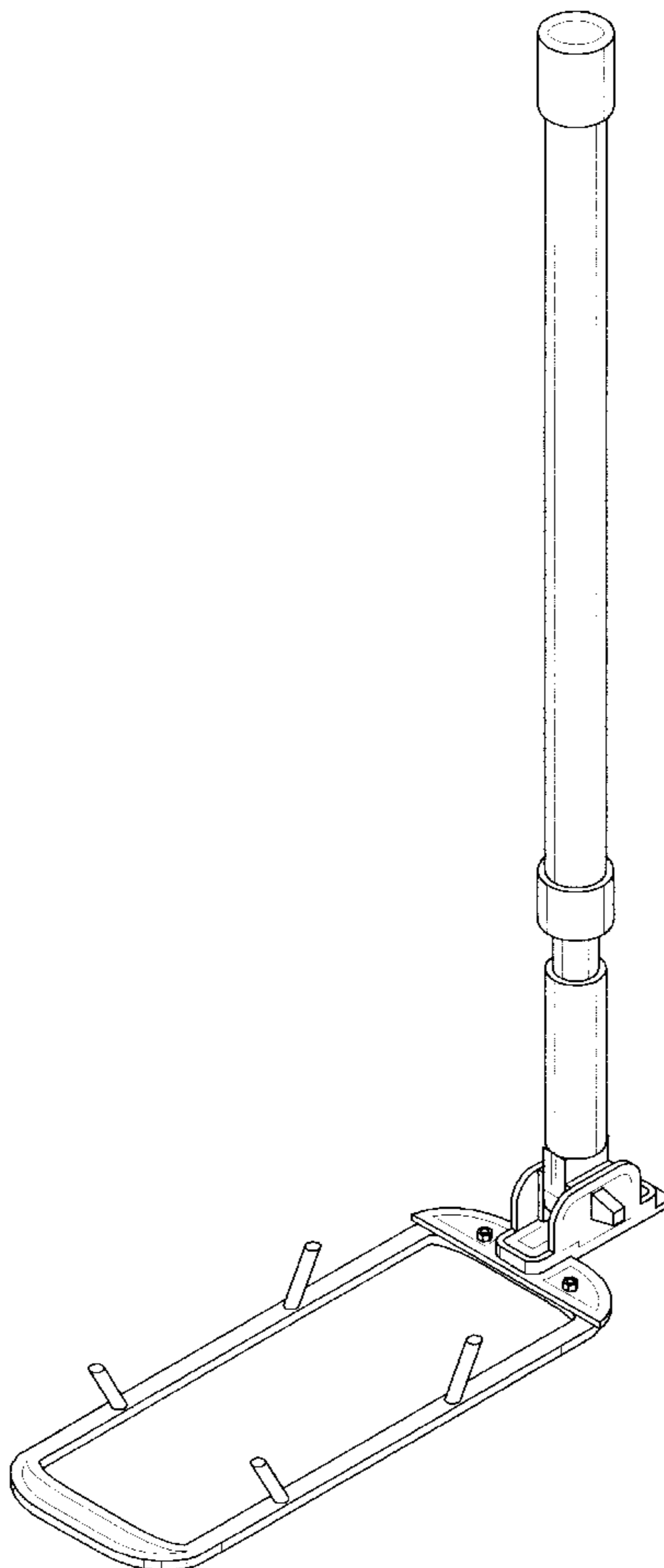
[57] **CLAIM**

The ornamental design for a pet waste bag holder, as shown.

DESCRIPTION

FIG. 1 is a front elevational view of the pet waste bag holder
of the present invention;
FIG. 2 is a rear elevational view thereof;
FIG. 3 is a left side elevational view thereof;
FIG. 4 is a right side elevational view thereof;
FIG. 5 is a top plan view thereof;
FIG. 6 is a bottom plan view thereof; and,
FIG. 7 is a front, right side, top perspective view thereof.

1 Claim, 4 Drawing Sheets



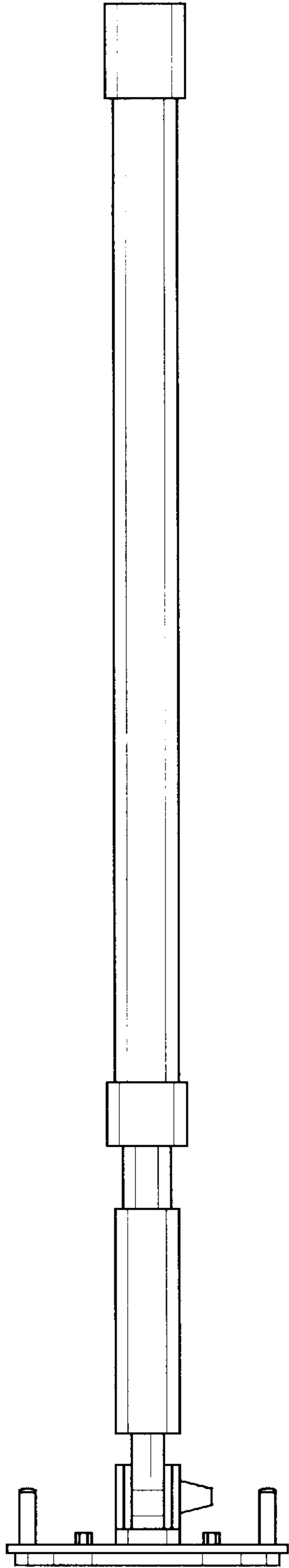


Fig. 1

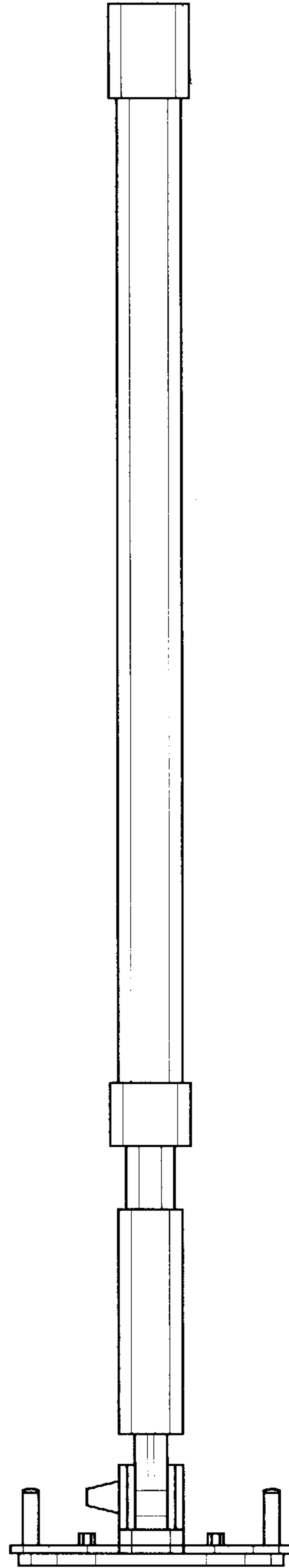


Fig. 2

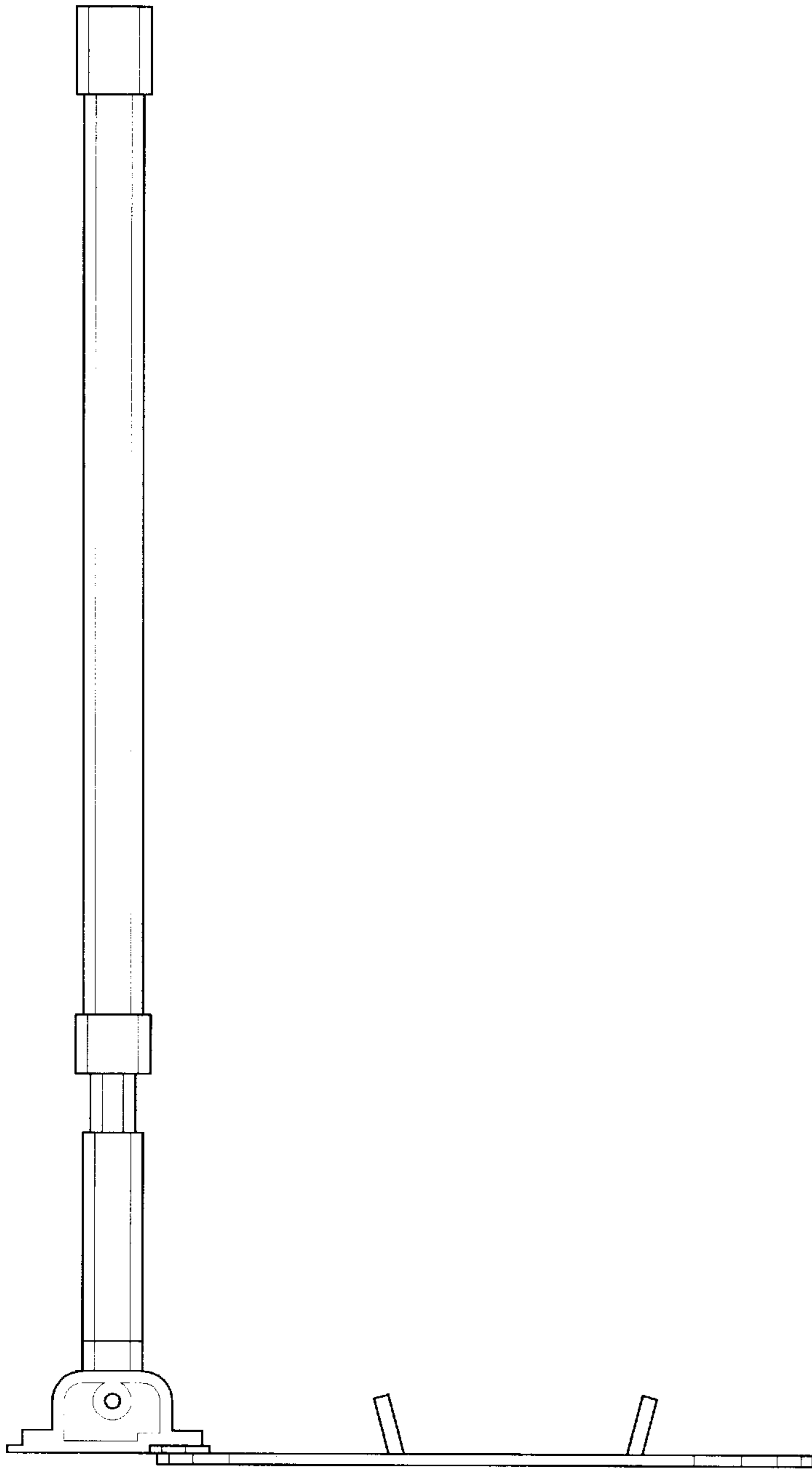


Fig. 3

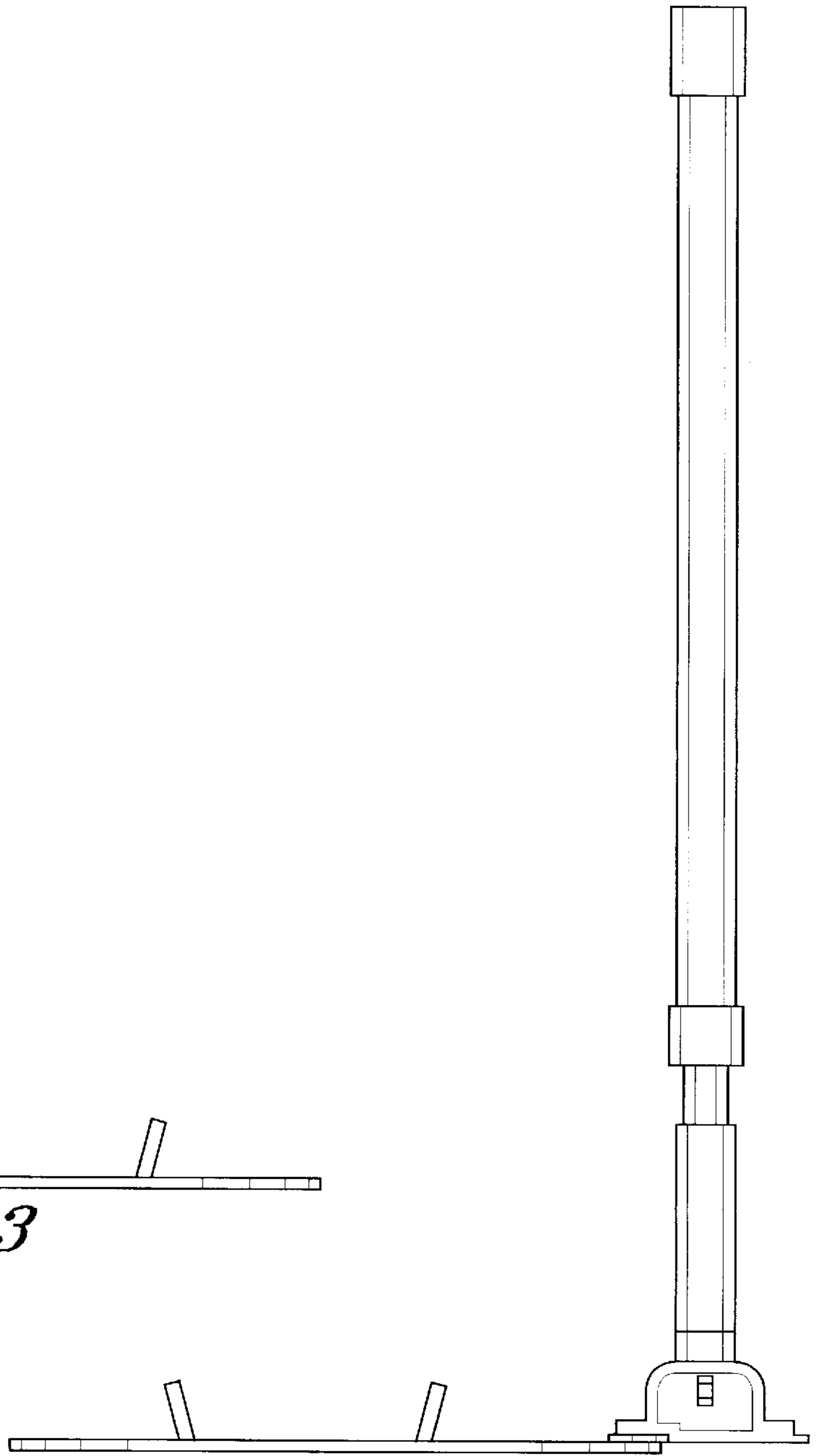


Fig. 4

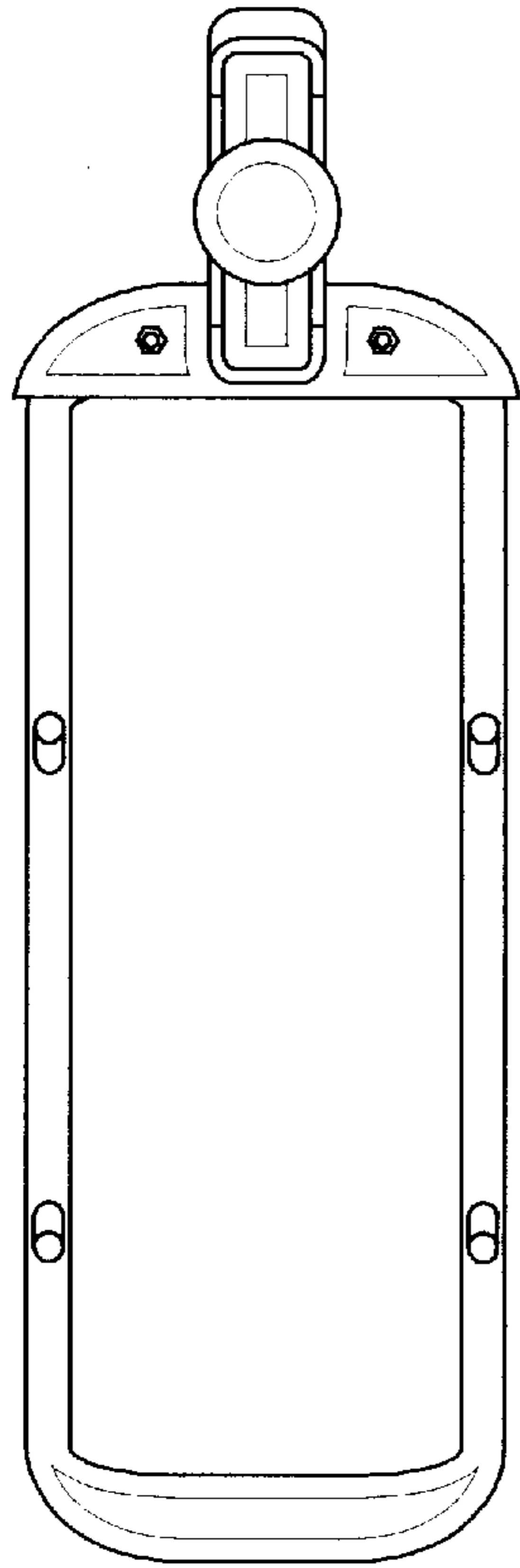


Fig. 5

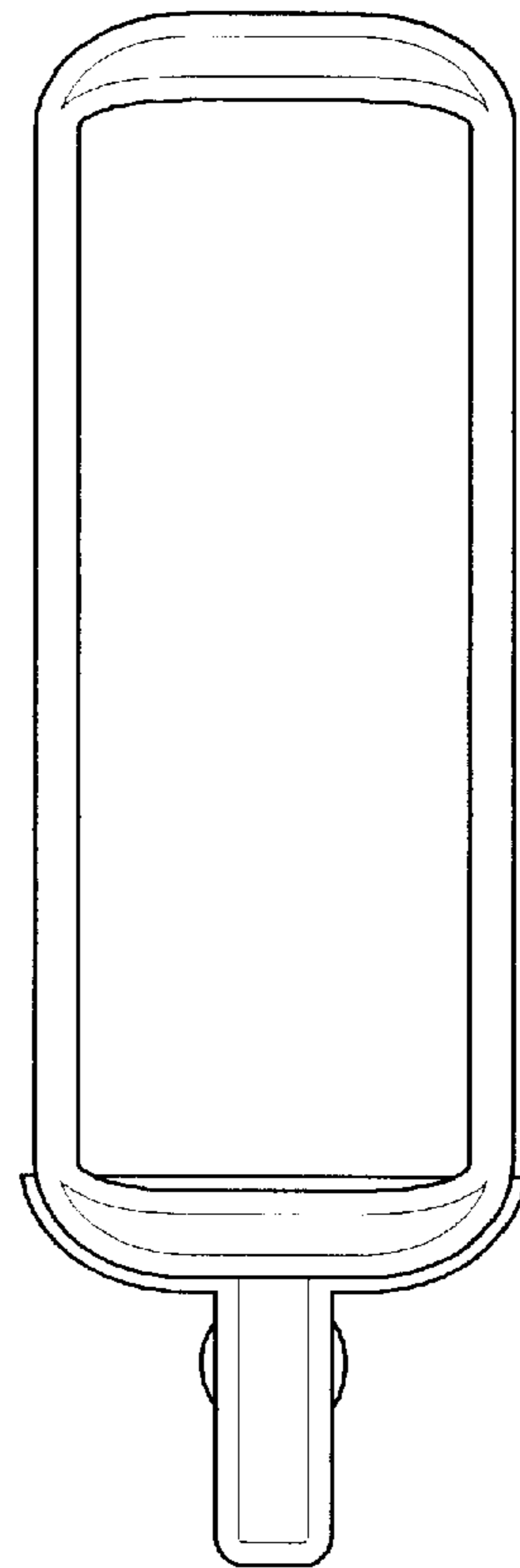


Fig. 6

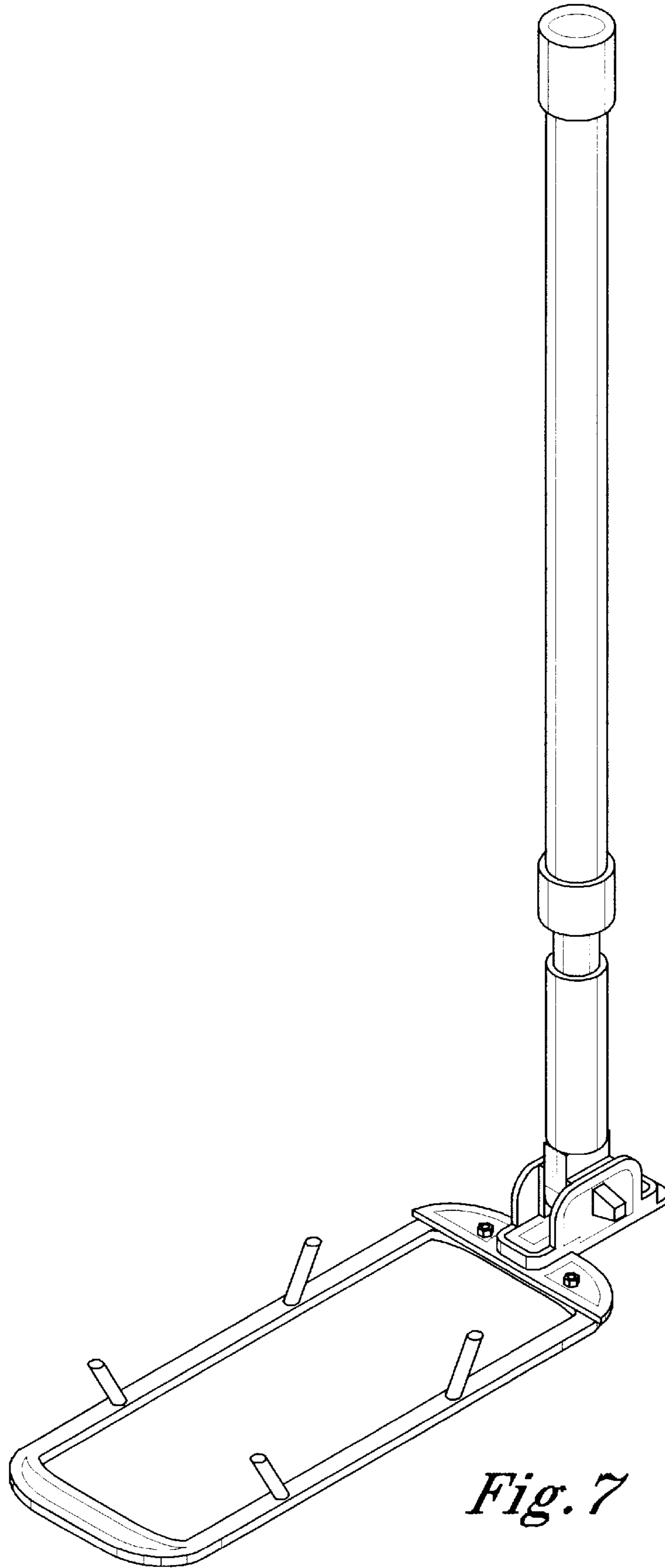


Fig. 7