



US00D406926S

United States Patent [19] Kolozsvari

[11] Patent Number: **Des. 406,926**

[45] Date of Patent: ****Mar. 16, 1999**

- [54] **WATER DISPENSER FOR A PET**
- [75] Inventor: **Kevin Kolozsvari**, Arlington, Tex.
- [73] Assignee: **Doskocil Manufacturing Company, Inc.**, Arlington, Tex.
- [**] Term: **14 Years**
- [21] Appl. No.: **87,635**
- [22] Filed: **May 6, 1998**
- [51] **LOC (6) Cl.** **30-03**
- [52] **U.S. Cl.** **D30/132**
- [58] **Field of Search** D30/121-122,
D30/129-133; 119/71, 74, 77, 60-61, 51.11,
51.5, 52.1

- D. 374,109 9/1996 Lillelund et al. D30/121
- D. 374,516 10/1996 Lillelund et al. D30/132
- D. 383,797 9/1997 Finnegan D30/132
- 4,840,143 6/1989 Simon 119/52.1

Primary Examiner—Cathy Anne MacCormac
Attorney, Agent, or Firm—Locke Purnell Rain Harrell; Roy W. Hardin; Michael W. Piper

[57] CLAIM

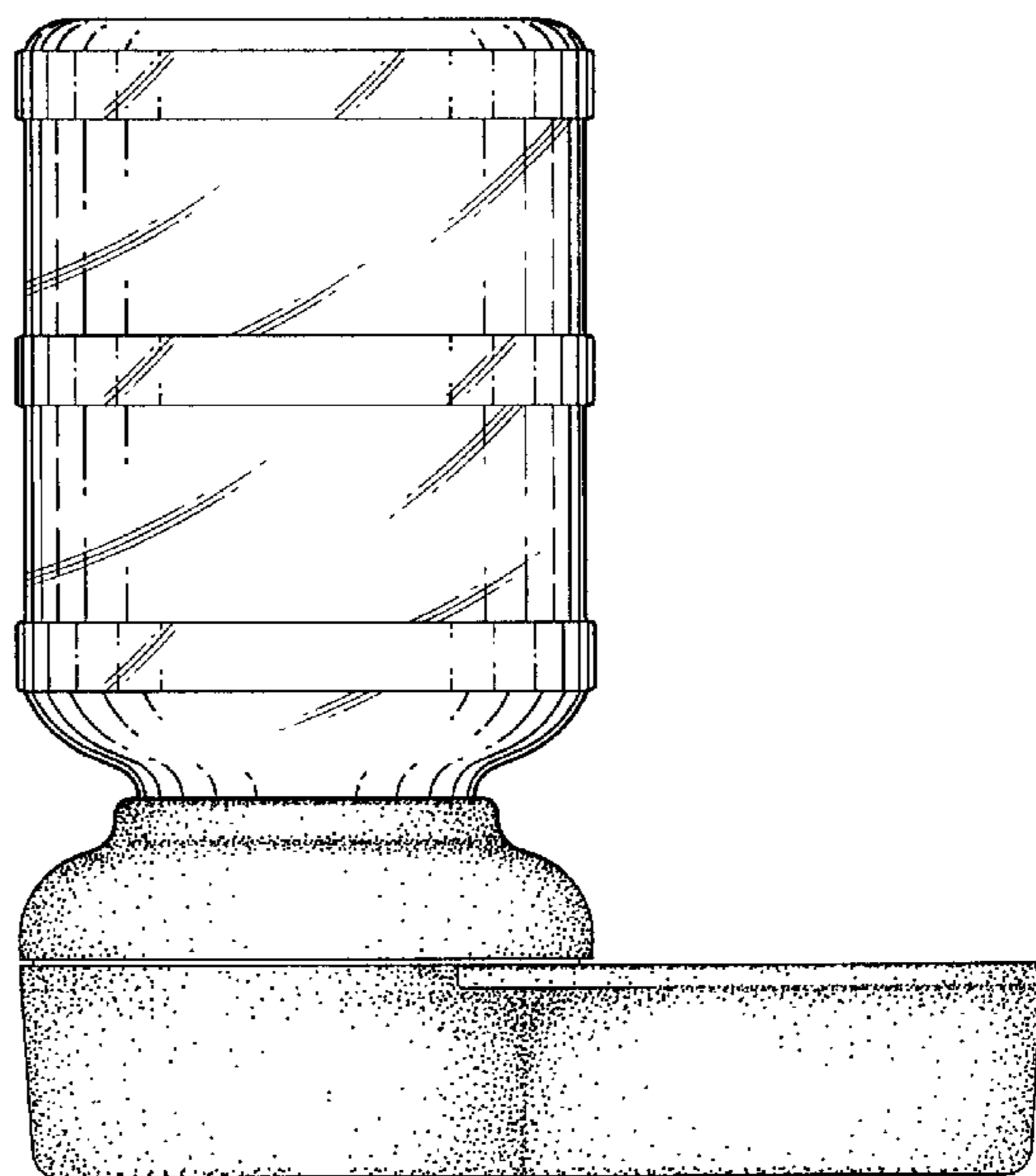
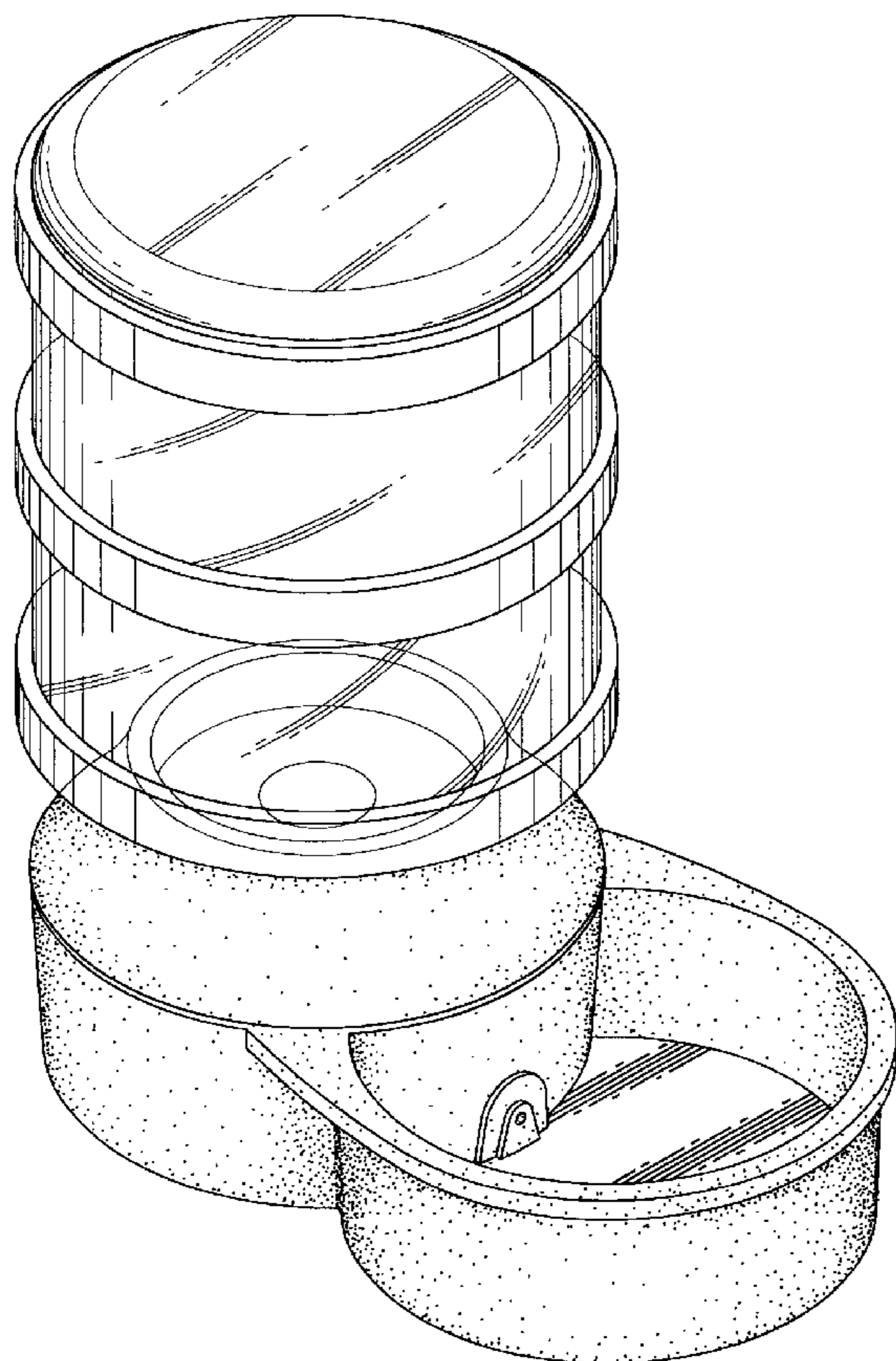
I claim the ornamental design for a water dispenser for a pet, as shown and described.

DESCRIPTION

FIG. 1 is a perspective view of the water dispenser for a pet of my invention;
FIG. 2 is a front elevational view thereof;
FIG. 3 is a back elevational view thereof;
FIG. 4 is a left side elevational view thereof;
FIG. 5 is a right side elevational view thereof;
FIG. 6 is a top plan view thereof; and,
FIG. 7 is a bottom plan view thereof.

- [56] **References Cited**
- U.S. PATENT DOCUMENTS**
- D. 330,098 10/1992 VanSkiver D30/121
- D. 350,842 9/1994 VanSkiver D30/121
- D. 351,689 10/1994 VanSkiver D30/121

1 Claim, 5 Drawing Sheets



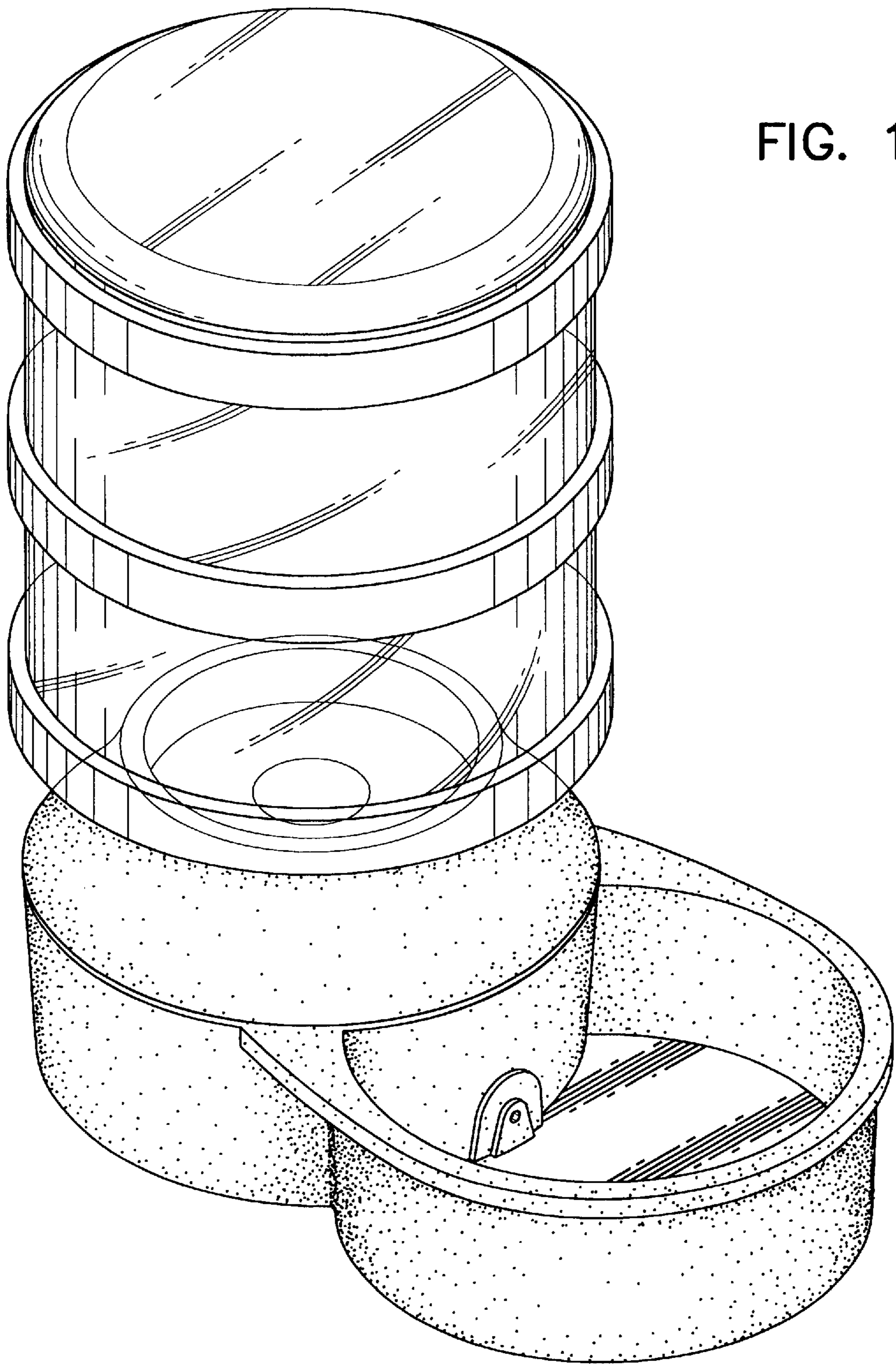


FIG. 1

FIG. 3

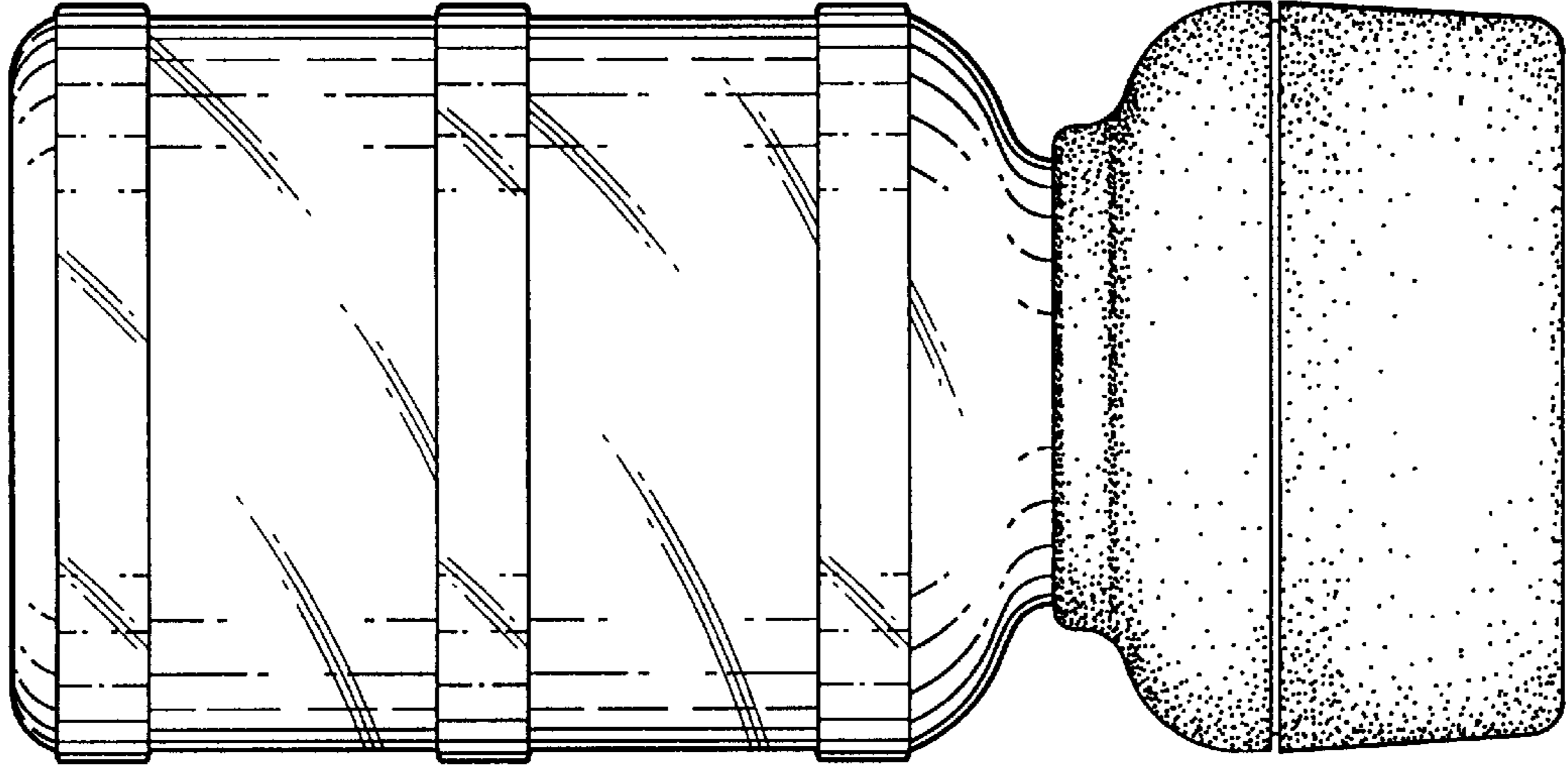


FIG. 2

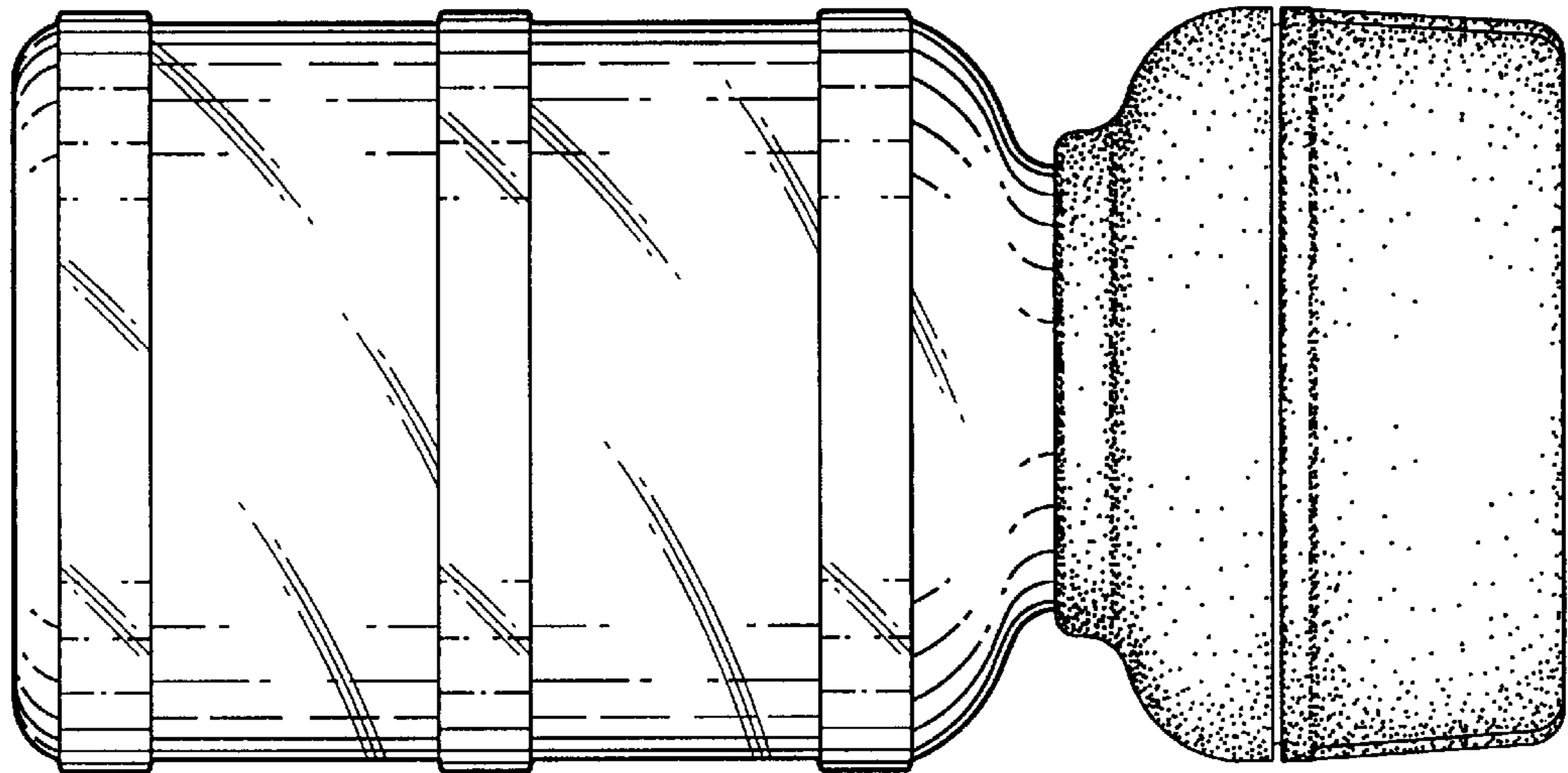


FIG. 4

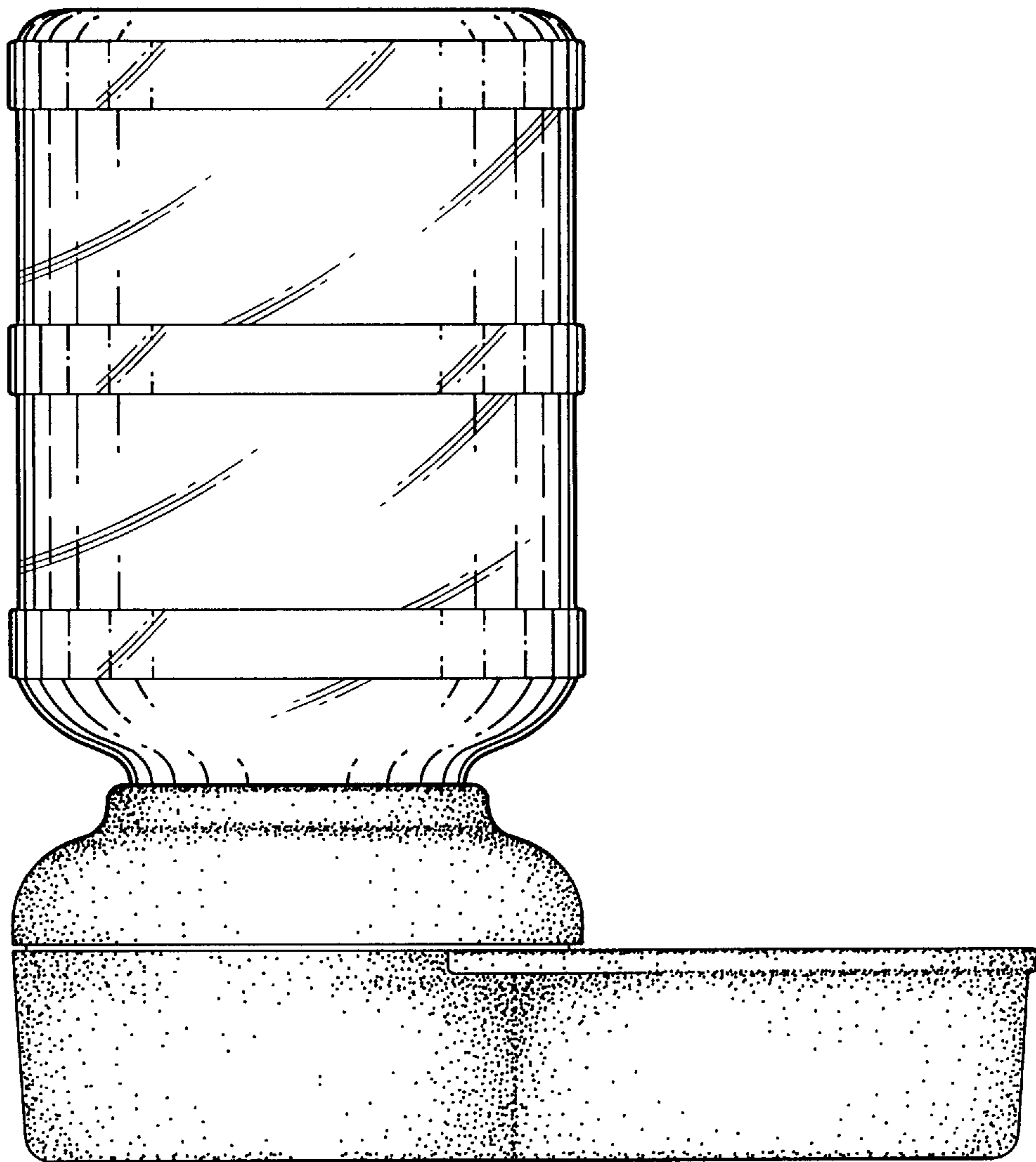


FIG. 5

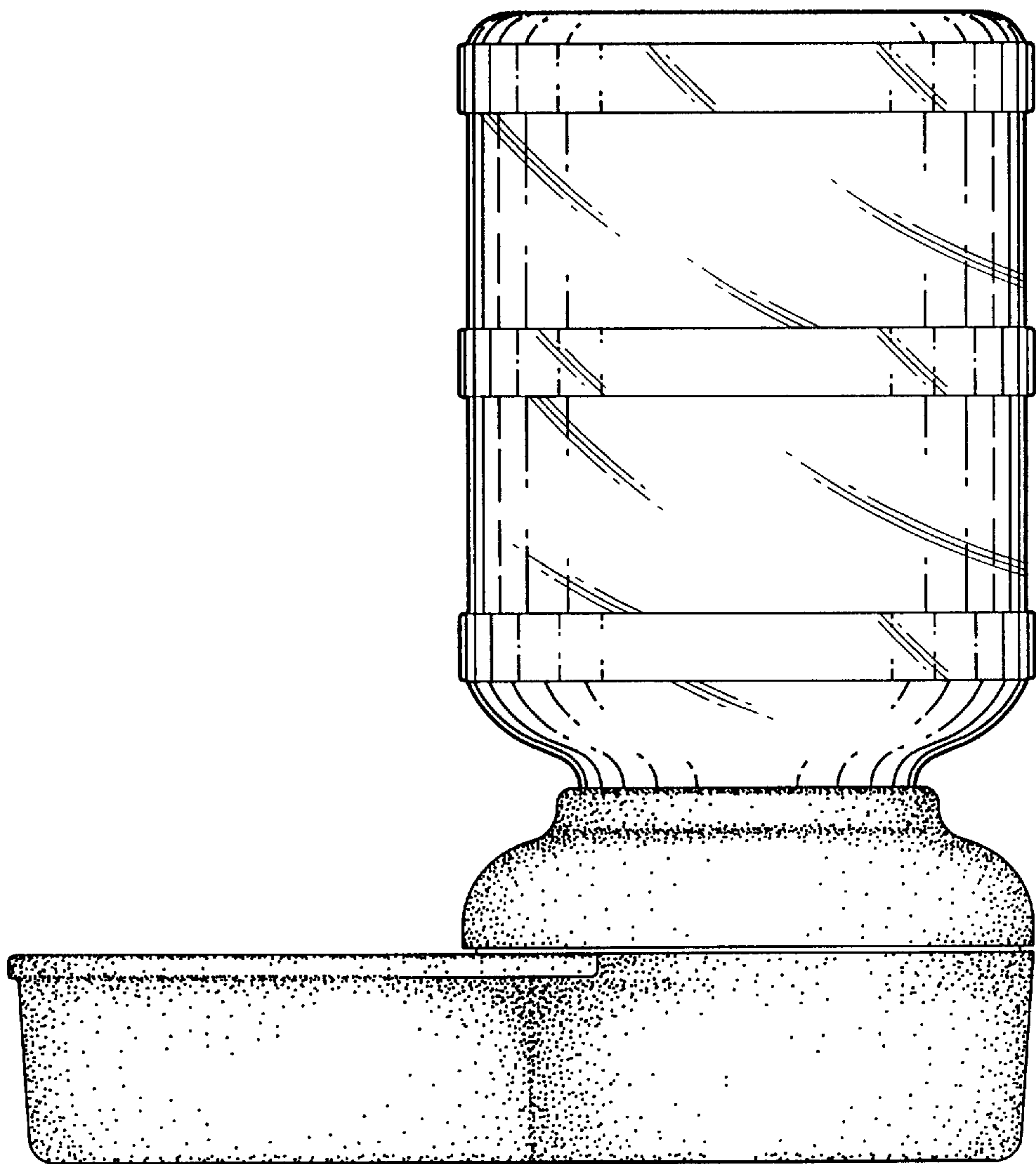


FIG. 6

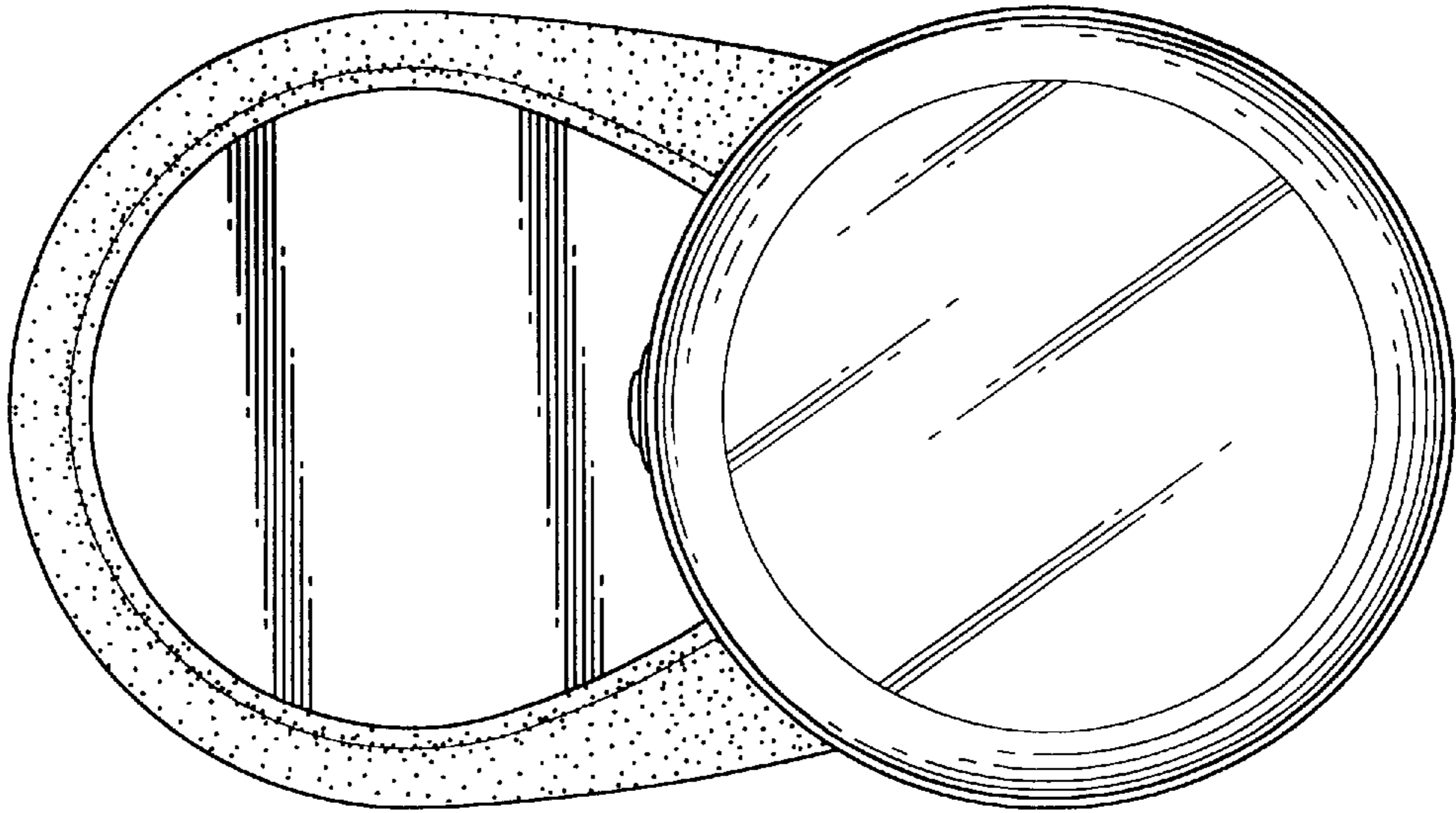


FIG. 7

