



US00D406924S

# United States Patent [19] Kolozsvari

[11] Patent Number: **Des. 406,924**

[45] Date of Patent: **\*\*Mar. 16, 1999**

[54] **FOOD DISPENSER FOR A PET**

[75] Inventor: **Kevin Kolozsvari**, Arlington, Tex.

[73] Assignee: **Doskocil Manufacturing Company, Inc.**, Arlington, Tex.

[\*\*] Term: **14 Years**

[21] Appl. No.: **87,634**

[22] Filed: **May 6, 1998**

[51] **LOC (6) Cl.** ..... **30-07**

[52] **U.S. Cl.** ..... **D30/121**

[58] **Field of Search** ..... D30/121-122,  
D30/129-133; 119/71, 51.11, 51.5, 74,  
77, 52.1, 60-61

[56] **References Cited**

**U.S. PATENT DOCUMENTS**

D. 330,098	10/1992	VanSkiver	.....	D30/121
D. 350,842	9/1994	VanSkiver	.....	D30/121
D. 351,689	10/1994	VanSkiver	.....	D30/121

D. 374,109	9/1996	Lillelund et al.	.....	D30/121
D. 383,797	9/1997	Finnegan	.....	D30/132
D. 393,108	3/1998	Atchley	.....	D30/121
4,840,143	6/1989	Simon	.....	119/52.1

*Primary Examiner*—Cathy Anne MacCormac  
*Attorney, Agent, or Firm*—Locke Purnell Rain Harrell; Roy W. Hardin; Micheal W. Piper

[57] **CLAIM**

I claim the ornamental design for a food dispenser for a pet, as shown and described.

**DESCRIPTION**

FIG. 1 is a perspective view of the food dispenser for a pet of my invention;  
FIG. 2 is a front elevational view thereof;  
FIG. 3 is a back elevational view thereof;  
FIG. 4 is a left side elevational view thereof;  
FIG. 5 is a right side elevational view thereof;  
FIG. 6 is a top plan view thereof; and,  
FIG. 7 is a bottom plan view thereof.

**1 Claim, 5 Drawing Sheets**

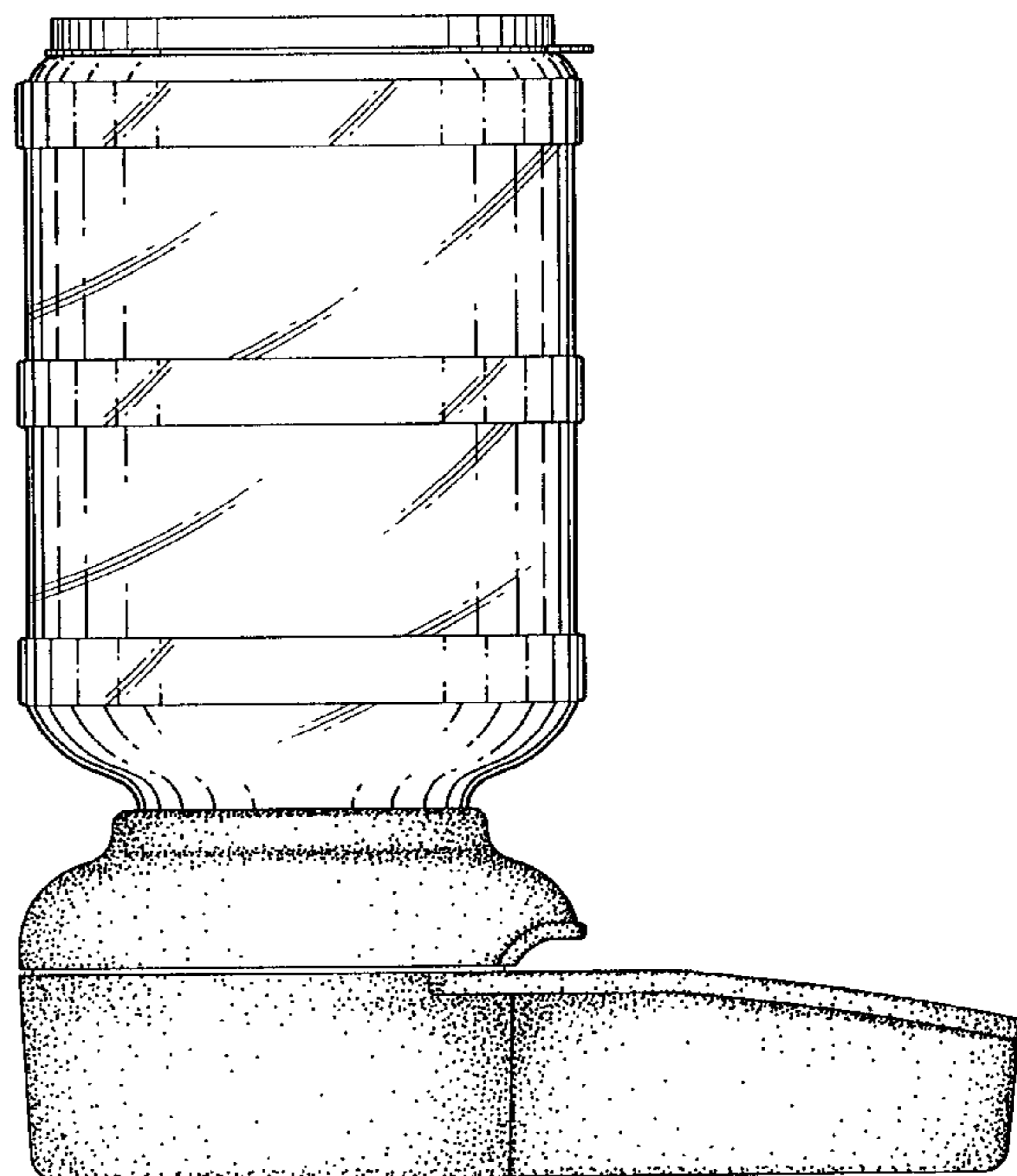
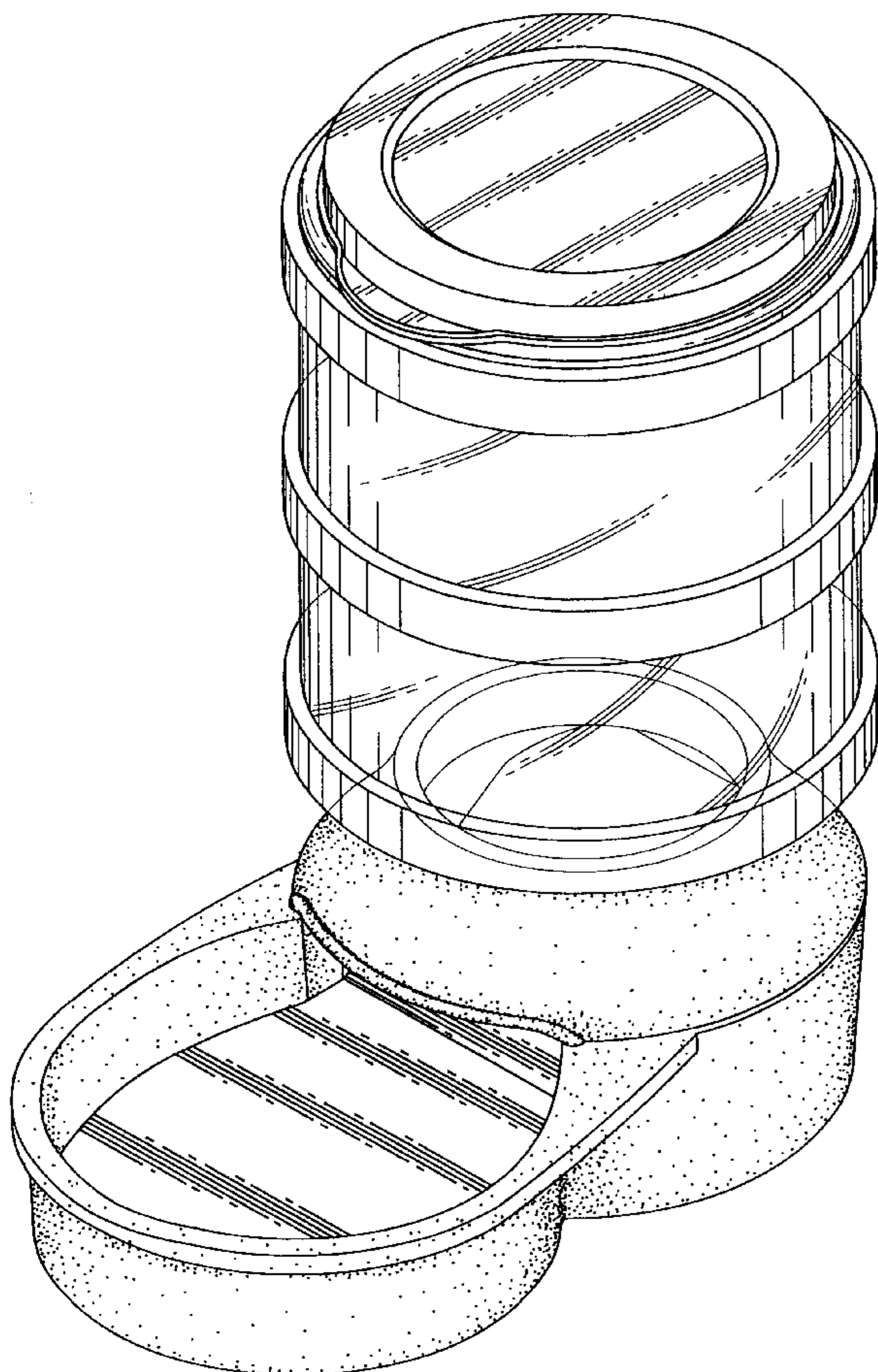
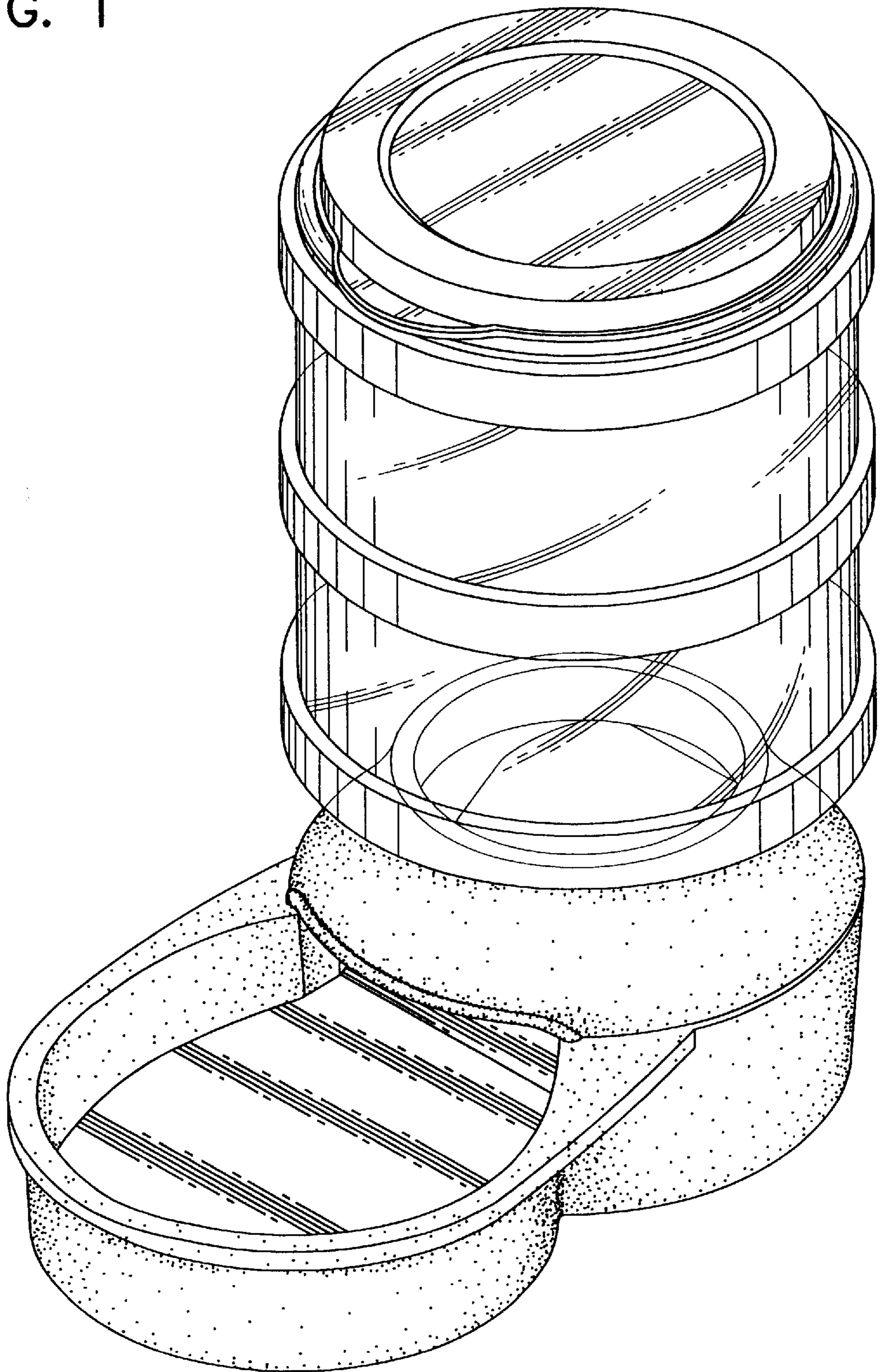


FIG. 1



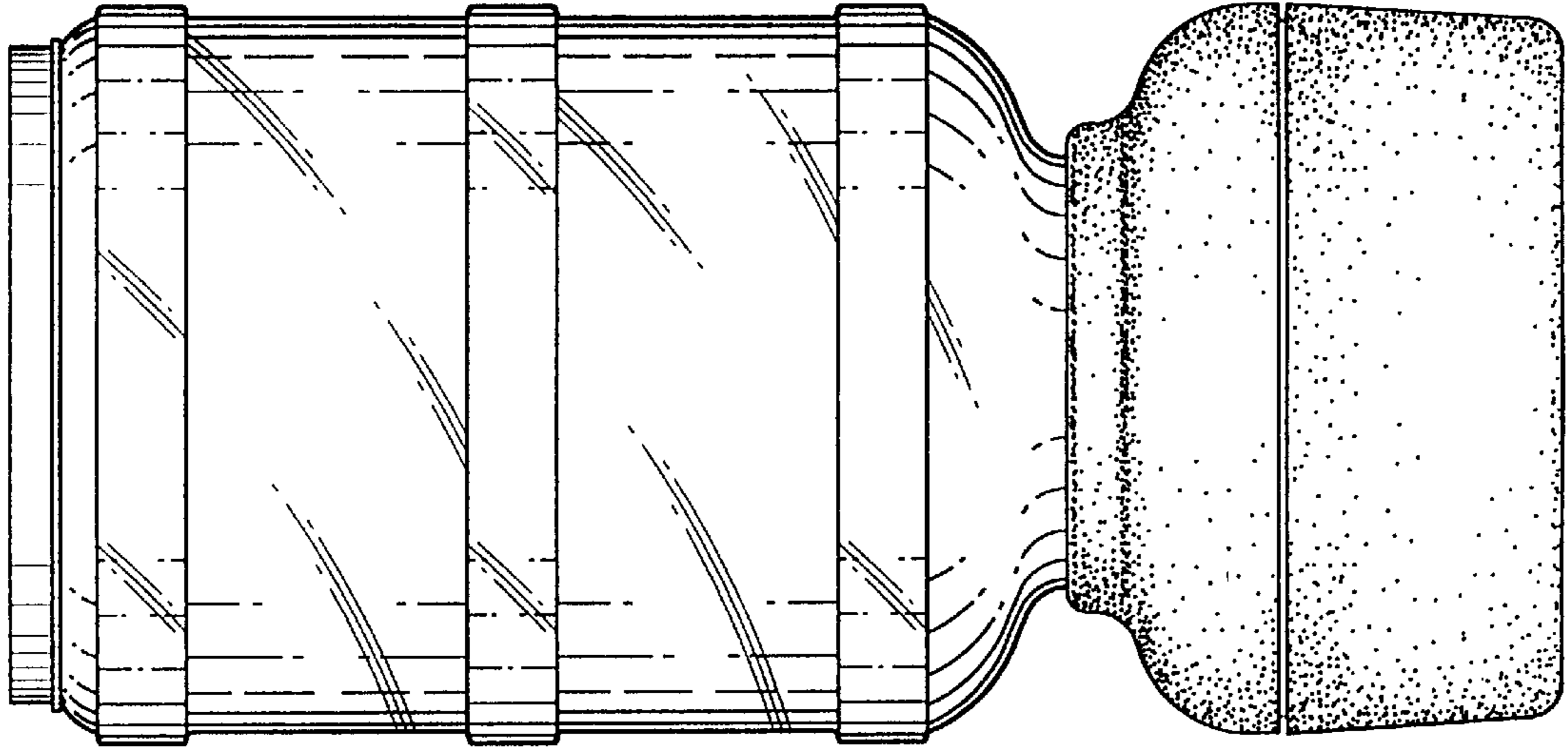


FIG. 3

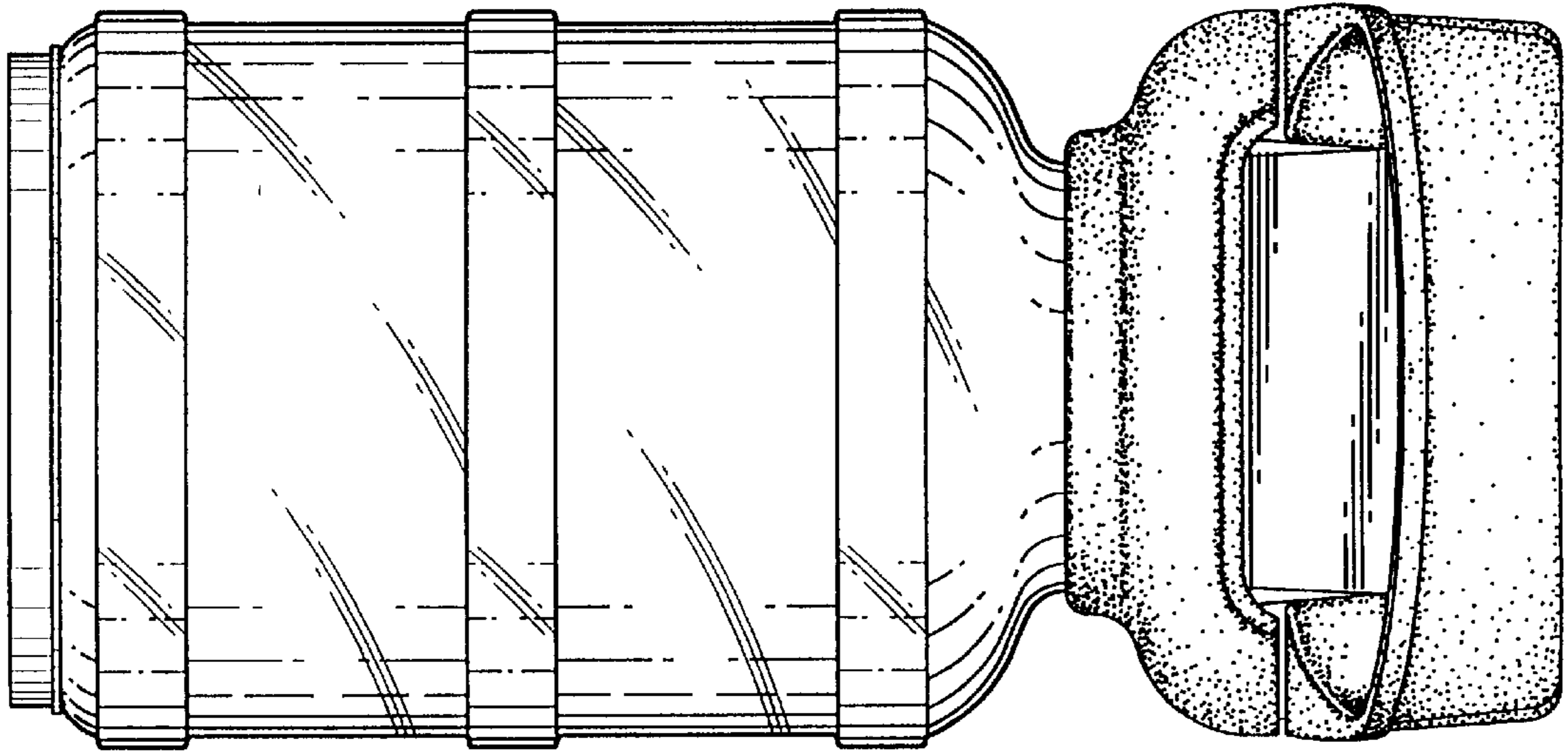


FIG. 2

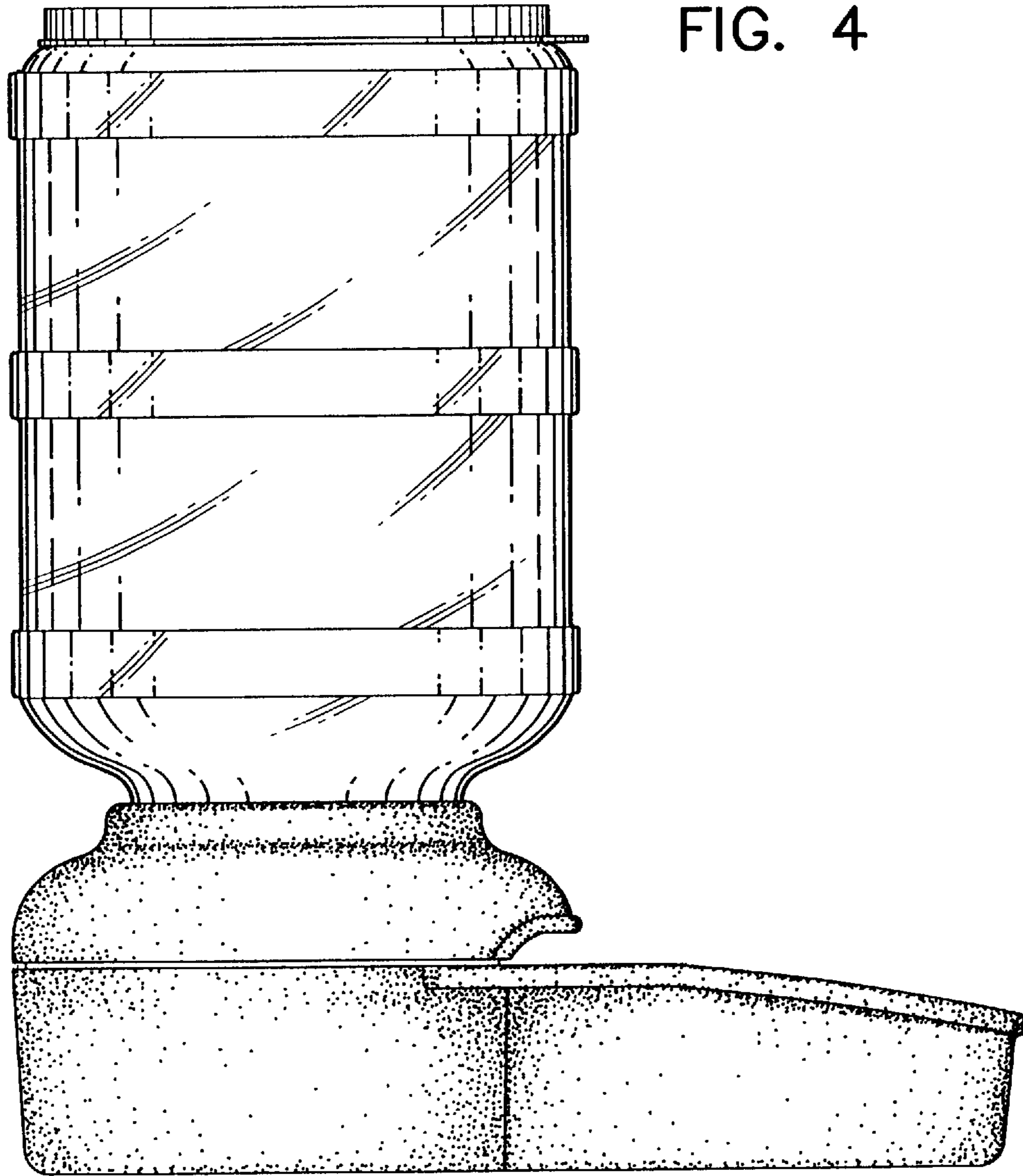


FIG. 4

FIG. 5

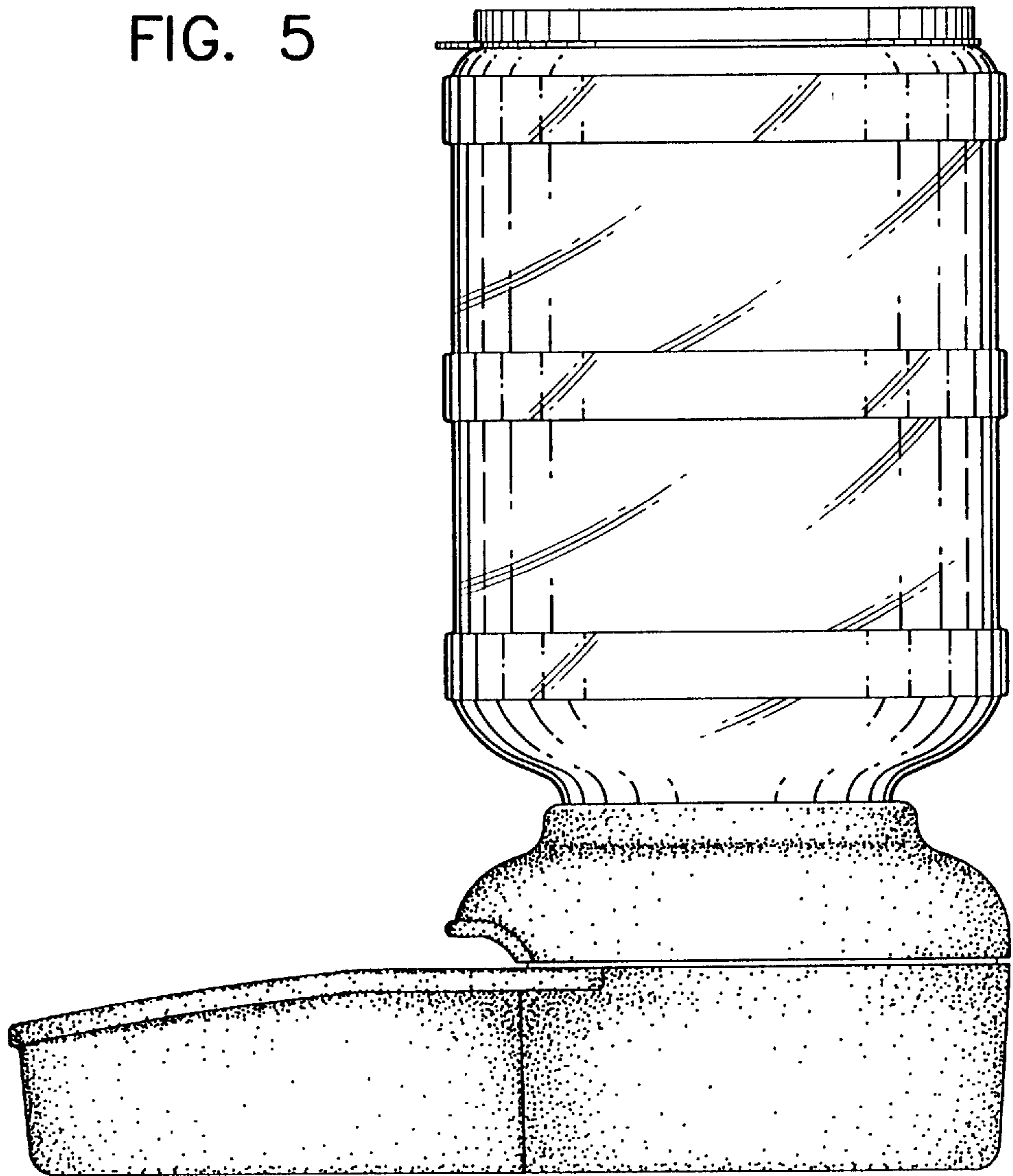


FIG. 6

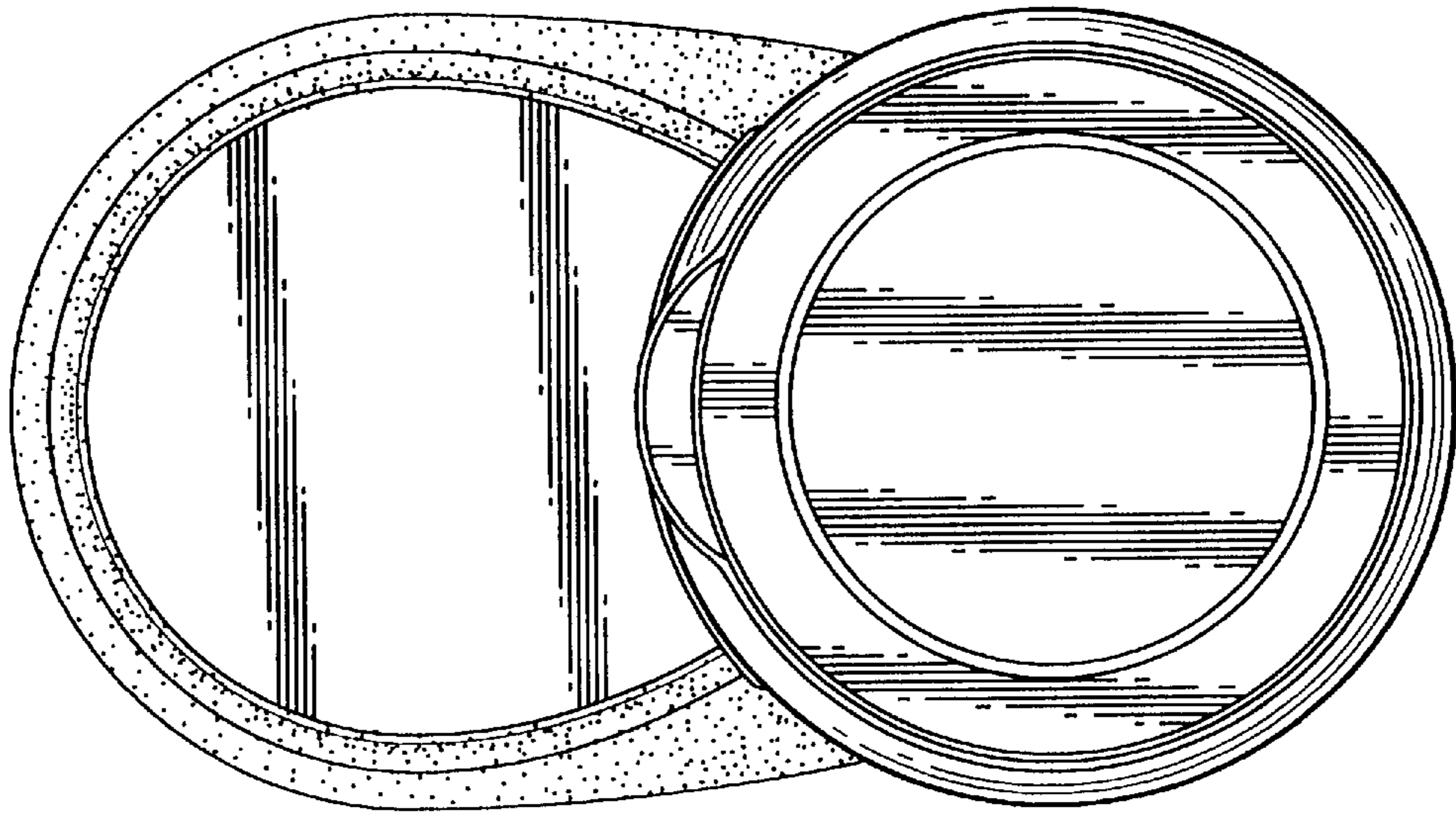


FIG. 7

