



US00D406922S

United States Patent [19]

[11] **Patent Number: Des. 406,922**

Darbutas

[45] **Date of Patent: **Mar. 16, 1999**

[54] **BIRD HOUSE**

[76] Inventor: **Alfred A. Darbutas**, 1412 - 25th St.,
Kenosha, Wis. 53140

[**] Term: **14 Years**

D. 335,754	5/1993	Englert	D99/37
D. 338,786	8/1993	Mattikow	D6/560
D. 349,979	8/1994	Ulloa et al.	D30/102
D. 350,710	9/1994	Keiffer	D11/157
D. 370,312	5/1996	Prehart	D30/111
3,040,706	6/1962	O'Dell	119/57.8

[21] Appl. No.: **78,750**

[22] Filed: **Oct. 31, 1997**

[51] **LOC (6) Cl. 30-02**

[52] **U.S. Cl. D30/111**

[58] **Field of Search** D11/157; D6/351,
D6/404, 434, 450; D99/37; D30/110-111,
123, 124, 126, 128, 133; 119/57.8-57.9,
77, 51.03, 52.1-52.3, 51.5, 69.5, 428, 433;
47/47, 44

OTHER PUBLICATIONS

Washington Star Pictorial Magazine; p. 7; Unusual Bird Houses photos top and bottom, Mar. 1950.

Casual Living Catalog; p. 25; Apple Birdhouse #354436; 1993.

Primary Examiner—Cathy Anne MacCormac
Attorney, Agent, or Firm—Jansson, Shupe, Bridge & Munger, Ltd.

[56] **References Cited**

U.S. PATENT DOCUMENTS

D. 75,618	6/1928	Faulkner	D30/111
D. 111,968	11/1938	Holmes	D6/351
D. 152,472	1/1949	Hawkinson	D30/111
D. 193,787	10/1962	Clever	D30/128
D. 248,651	7/1978	Zivica	D97/37
D. 279,430	7/1985	McLeroy	D6/450
D. 285,129	8/1986	Phillips et al.	D30/102
D. 321,845	11/1991	Nys	D11/157
D. 324,590	3/1992	Pixler	D30/102
D. 335,369	5/1993	Gravelle	D30/111

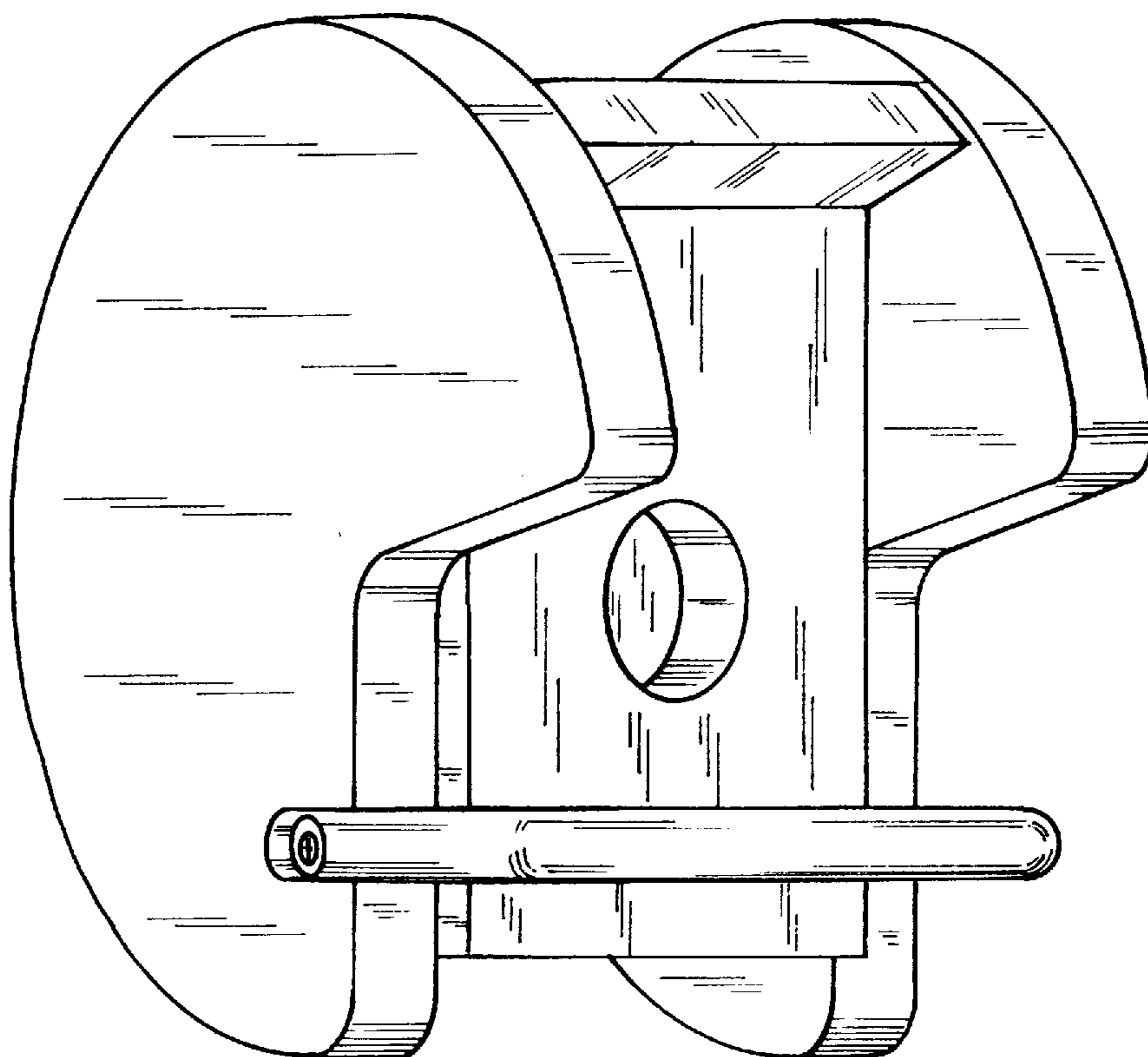
[57] **CLAIM**

The ornamental design for a bird house, as shown.

DESCRIPTION

FIG. 1 is a perspective view of the bird house;
FIG. 2 is a side elevation view of the bird house, the other side elevation view being a mirror image thereof;
FIG. 3 is a front elevation view of the bird house;
FIG. 4 is a rear elevation view of the bird house;
FIG. 5 is a top plan view of the bird house; and,
FIG. 6 is a bottom plan view of the bird house.

1 Claim, 3 Drawing Sheets



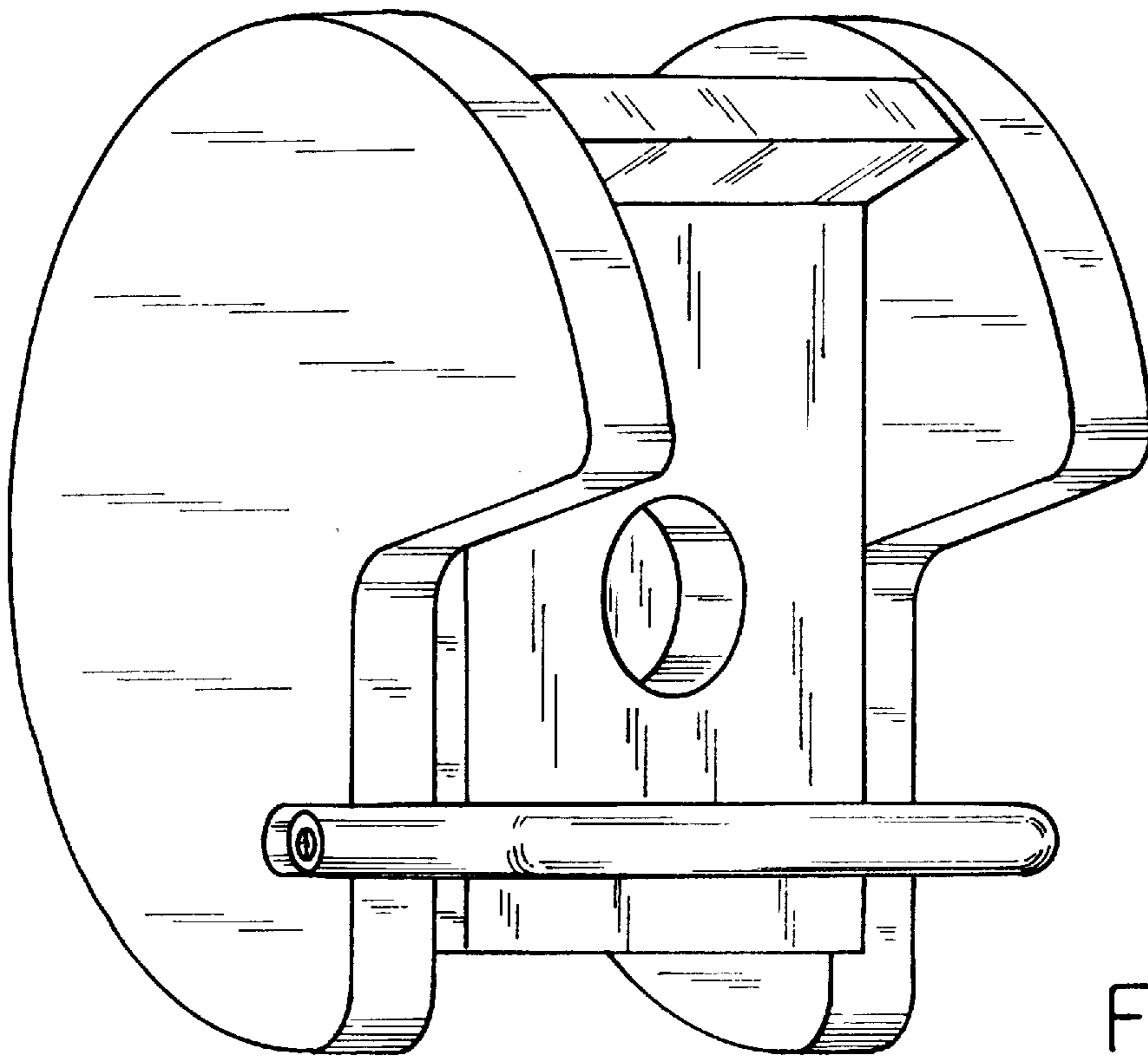


FIG. 1

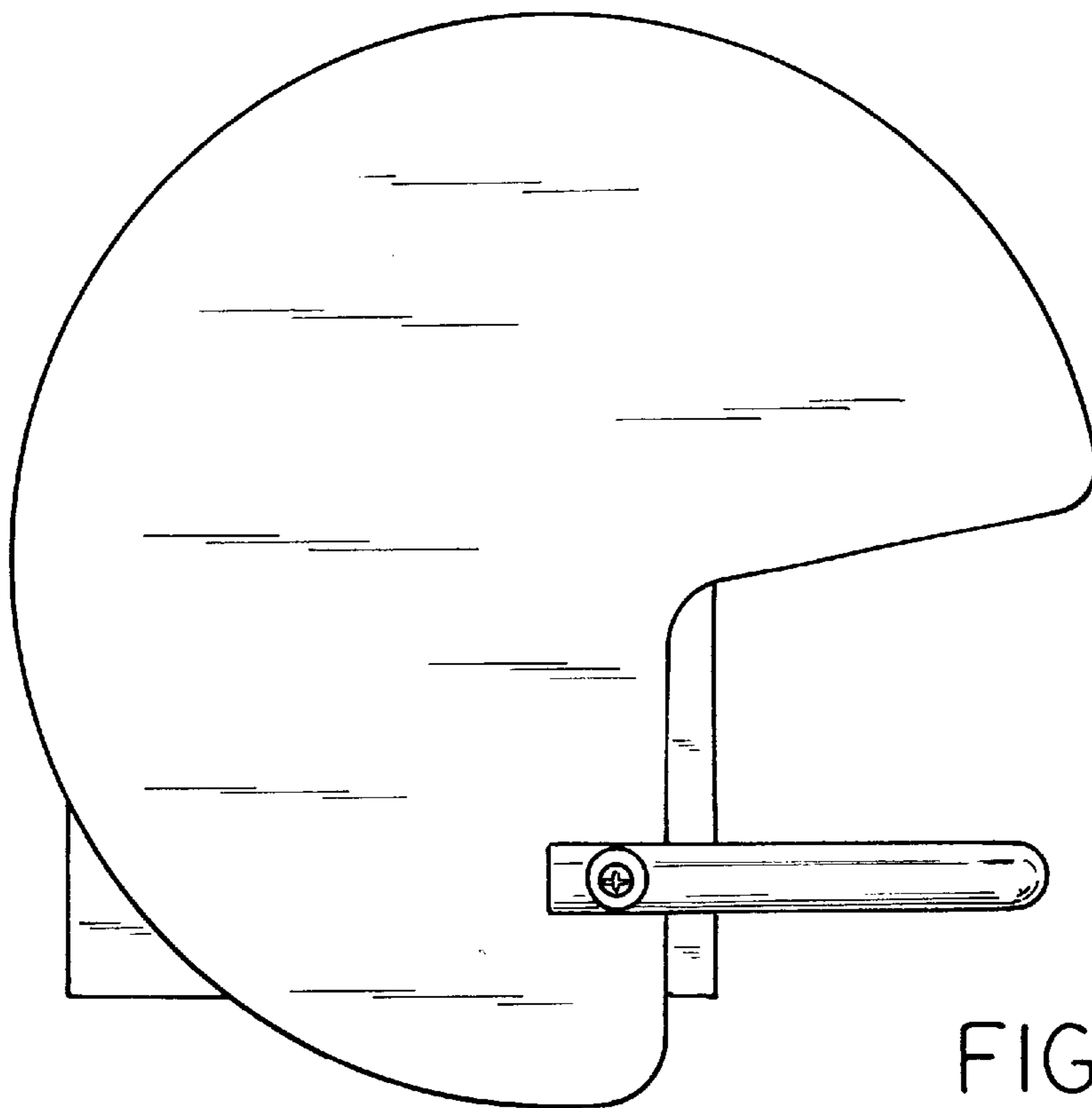


FIG. 2

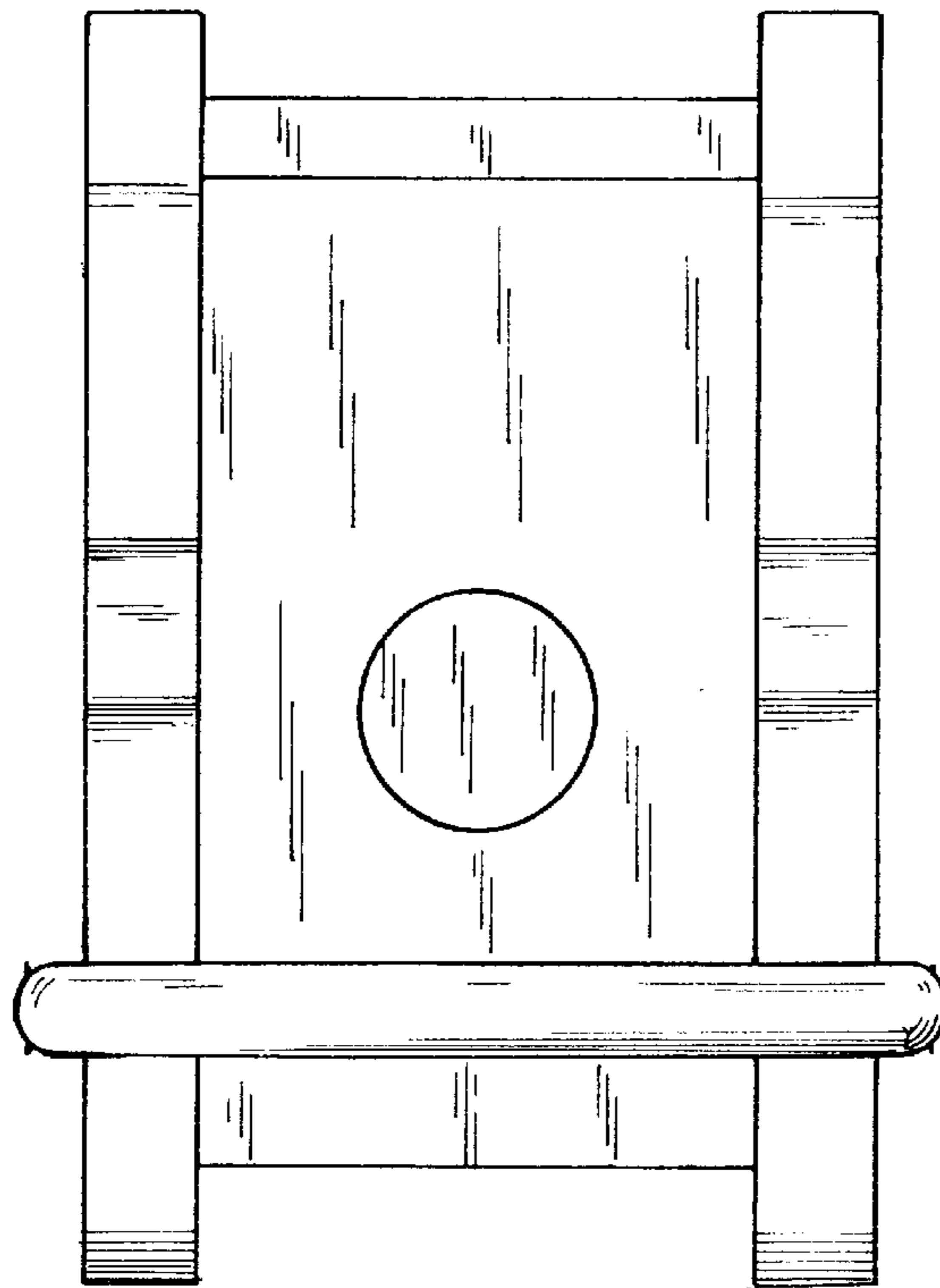


FIG. 3

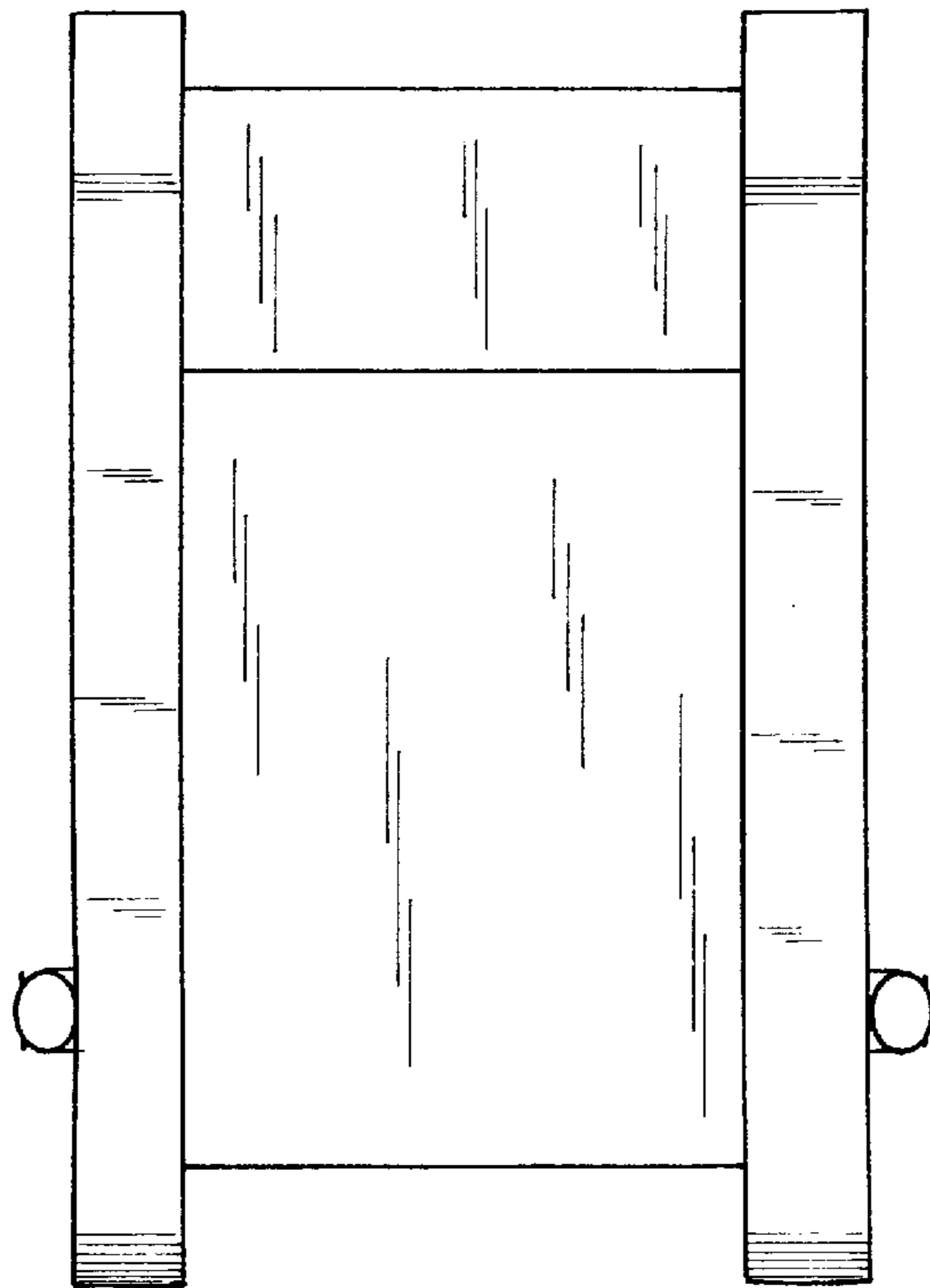


FIG. 4

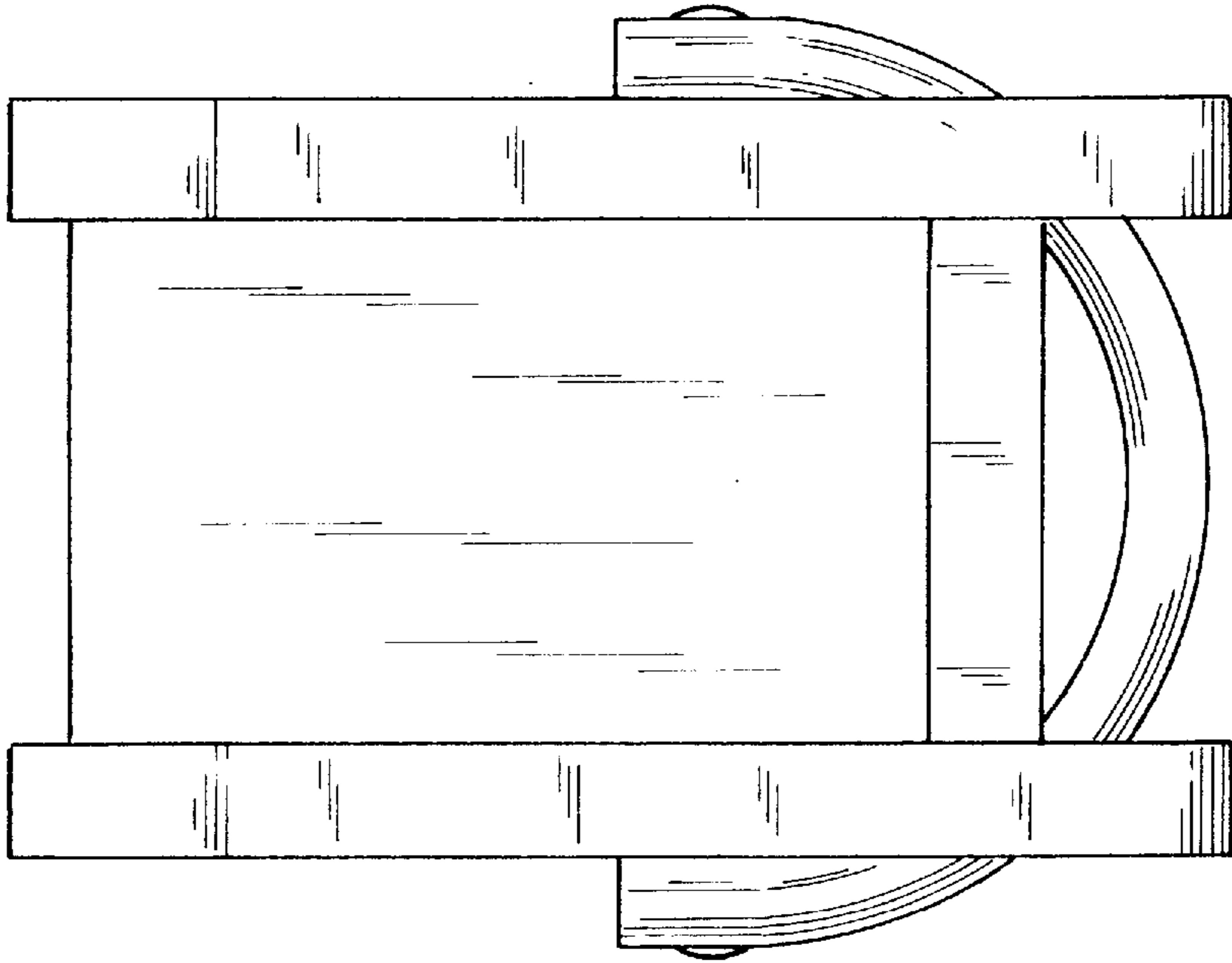


FIG. 5

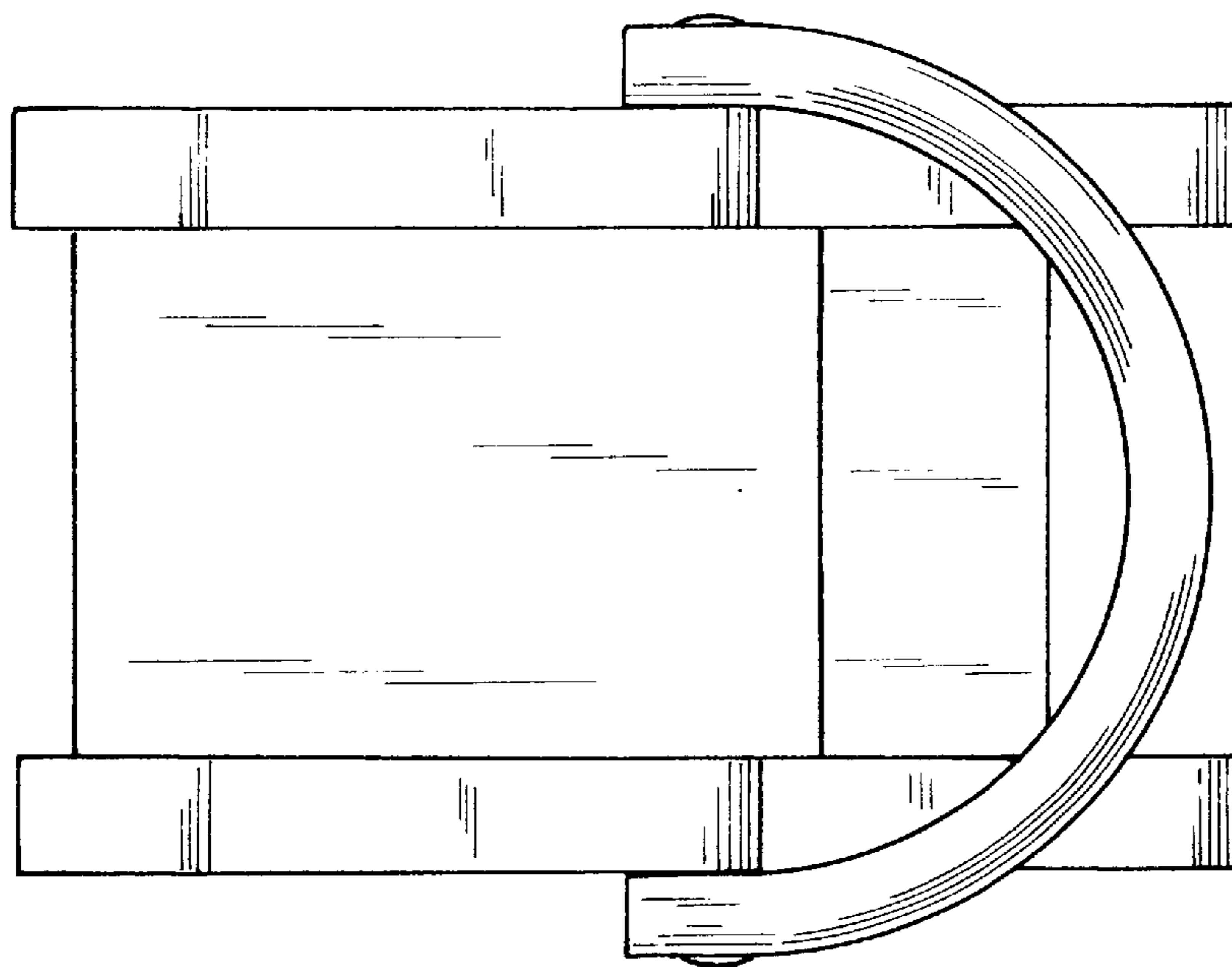


FIG. 6