



US00D406918S

**United States Patent** [19]  
**Yan**

[11] **Patent Number: Des. 406,918**

[45] **Date of Patent: \*\*Mar. 16, 1999**

[54] **FLUORESCENT LAMP RETAINER BRACKET**

[76] Inventor: **Ellis Yan**, 29 Annandale Dr., South Russell, Ohio 44022

[\*\*] Term: **14 Years**

[21] Appl. No.: **88,096**

[22] Filed: **May 14, 1998**

[51] **LOC (6) Cl. .... 26-99**

[52] **U.S. Cl. .... D26/138**

[58] **Field of Search** ..... D8/349, 354, 371, D8/395; D26/138; 52/649.8, 712; 362/383, 396

[56] **References Cited**

**U.S. PATENT DOCUMENTS**

1,304,815 5/1919 Sharp ..... 52/712  
3,257,767 6/1966 Lassy ..... D8/354 X

*Primary Examiner*—Holly Baynham  
*Attorney, Agent, or Firm*—Joseph H. Taddeo

[57] **CLAIM**

The ornamental design for a fluorescent lamp retainer bracket, as shown and described.

**DESCRIPTION**

FIG. 1 is a perspective view of my new design for a fluorescent lamp retainer bracket, wherein the ballast shown in dashed lines is for environmental purposes only and is not part of the design;

FIG. 2 is an end view thereof, the other end being identical to the side shown in FIG. 2;

FIG. 3 is a top plan view thereof;

FIG. 4 is a front view thereof, the rear view being identical, the ballast and fluorescent lamp being represented in dashed lines for environmental purposes only and are not part of the design;

FIG. 5 is a bottom plan view thereof;

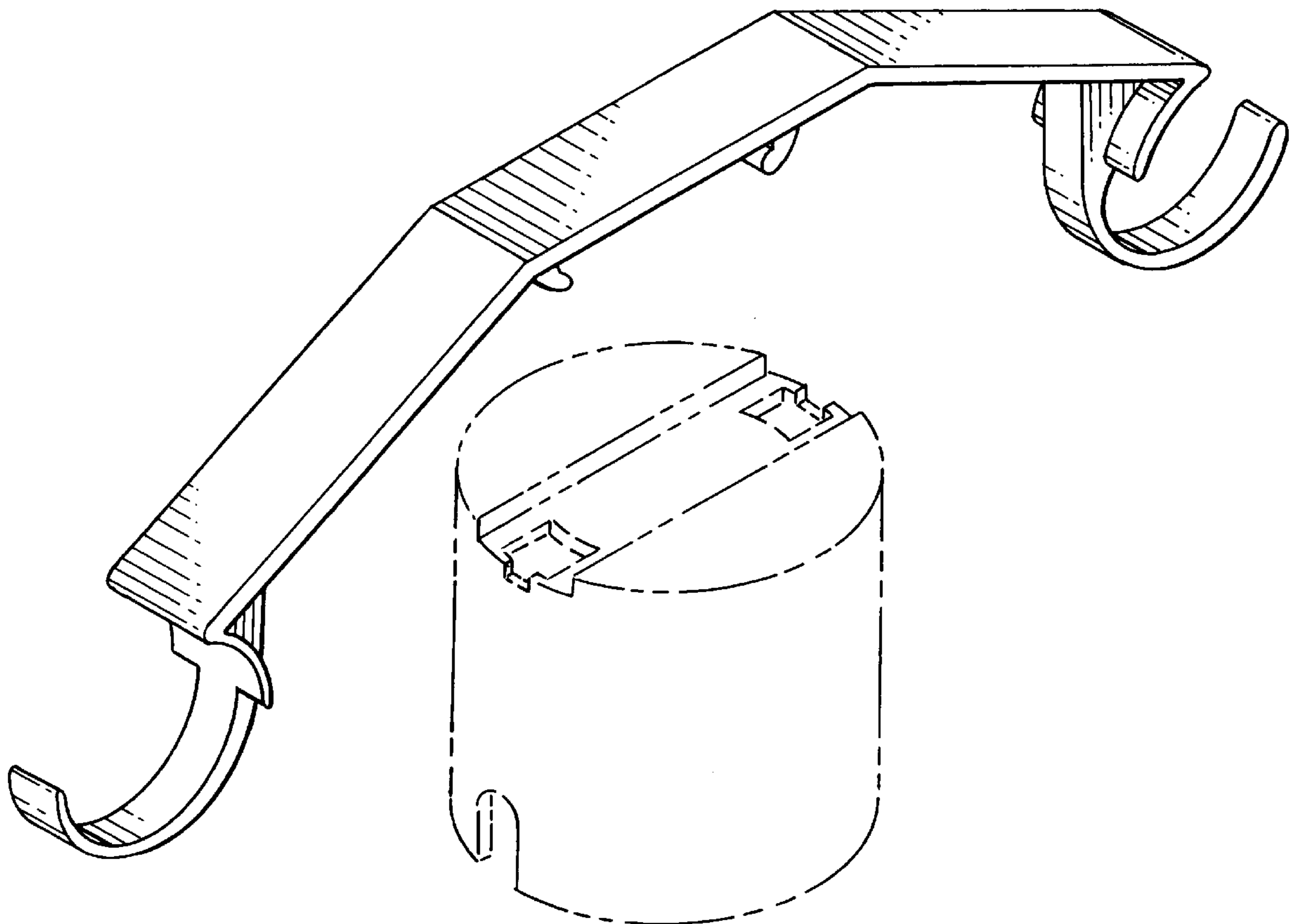
FIG. 6 is a perspective view of a fluorescent lamp retainer bracket, showing a second embodiment of my new design; FIG. 7 is an end view of FIG. 6, the opposite end being identical;

FIG. 8 is a top plan view of FIG. 6;

FIG. 9 is a front view of FIG. 6, the rear view being identical; and,

FIG. 10 is a bottom plan view of FIG. 6.

**1 Claim, 4 Drawing Sheets**



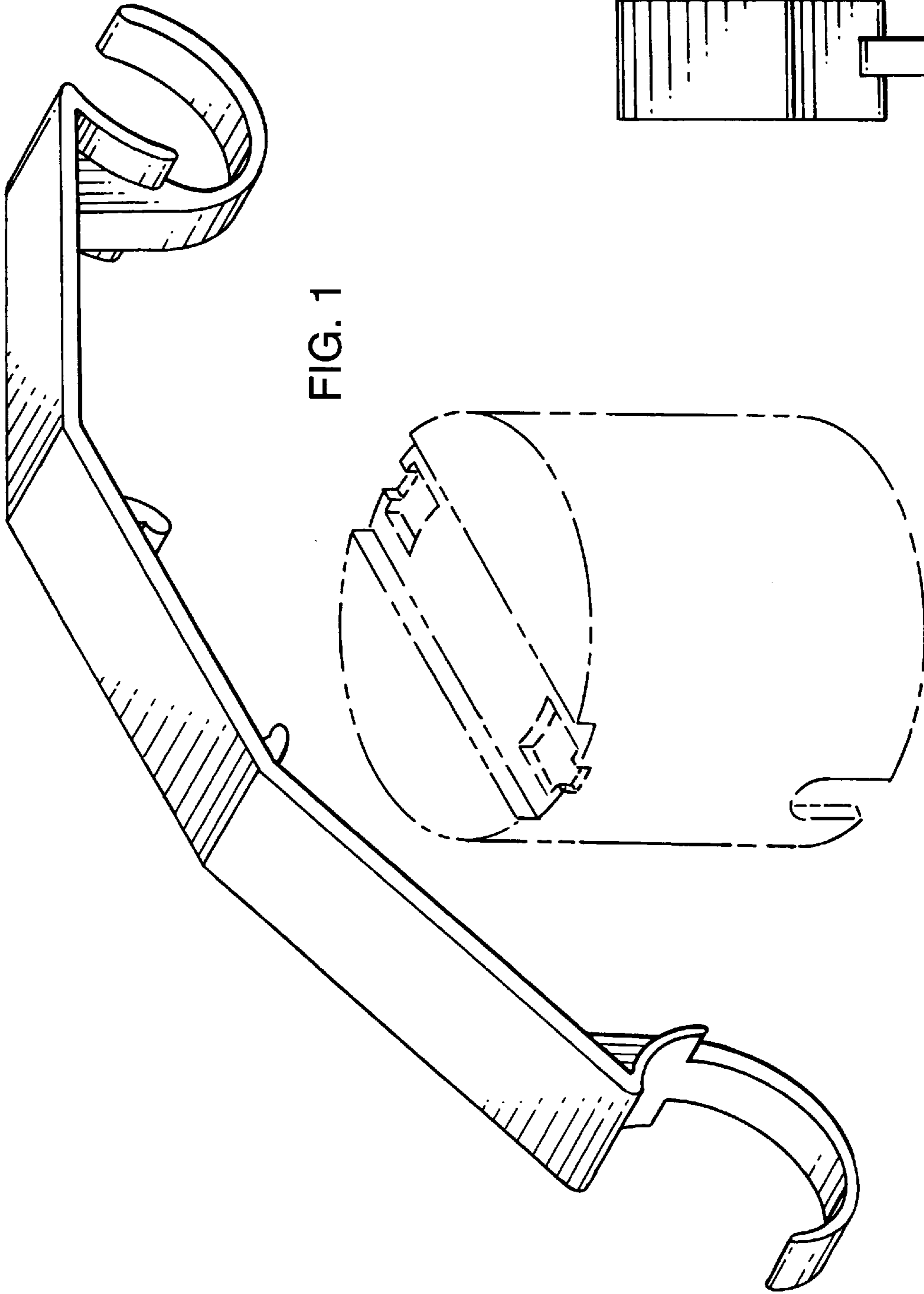


FIG. 1

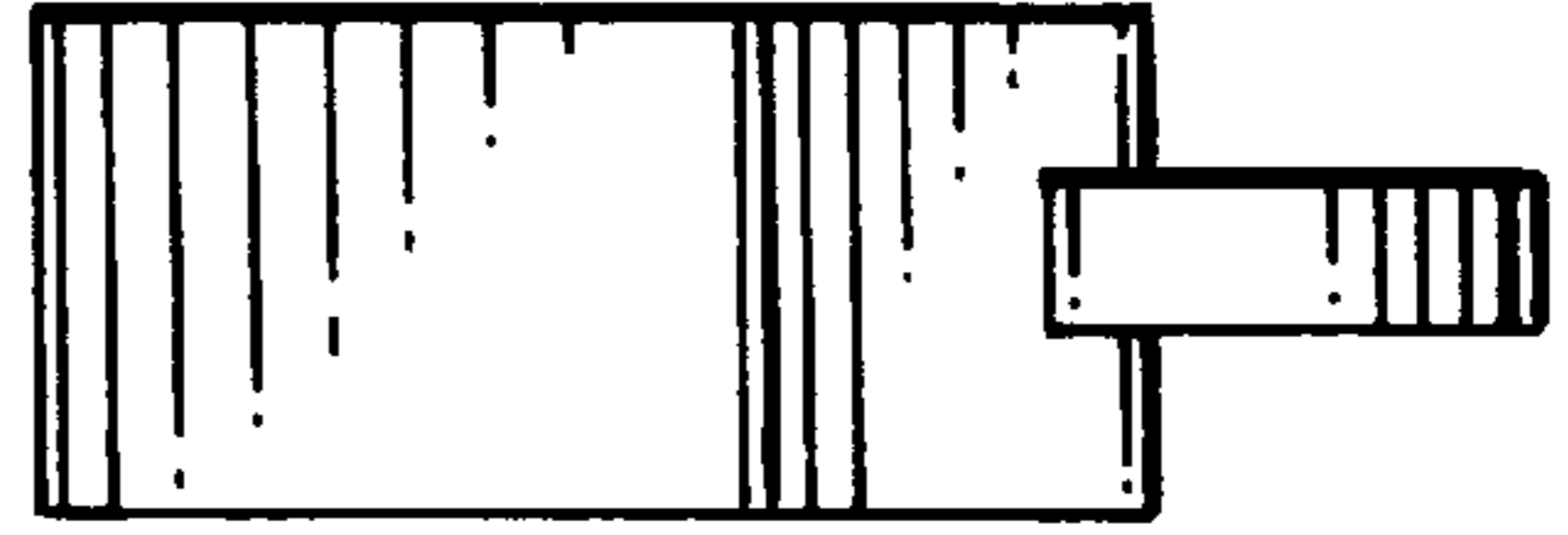


FIG. 2

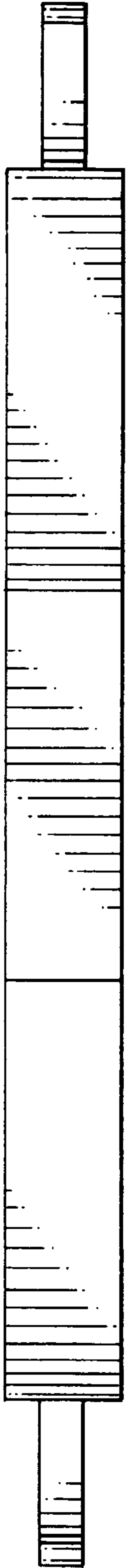


FIG. 3

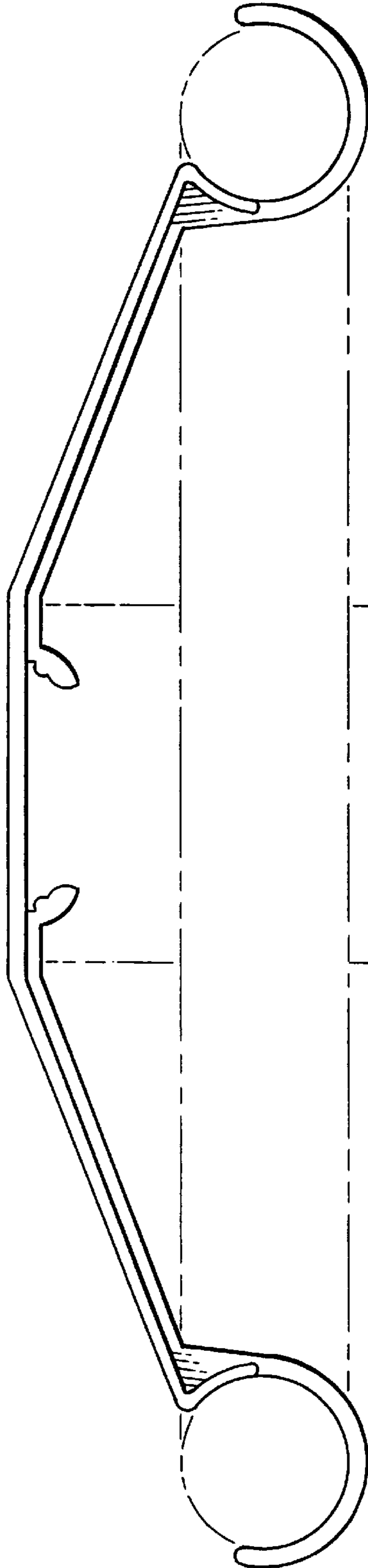


FIG. 4

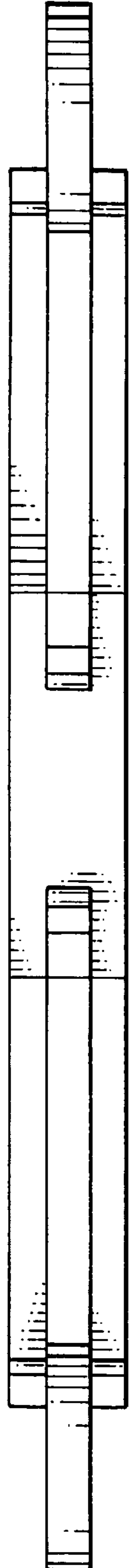


FIG. 5

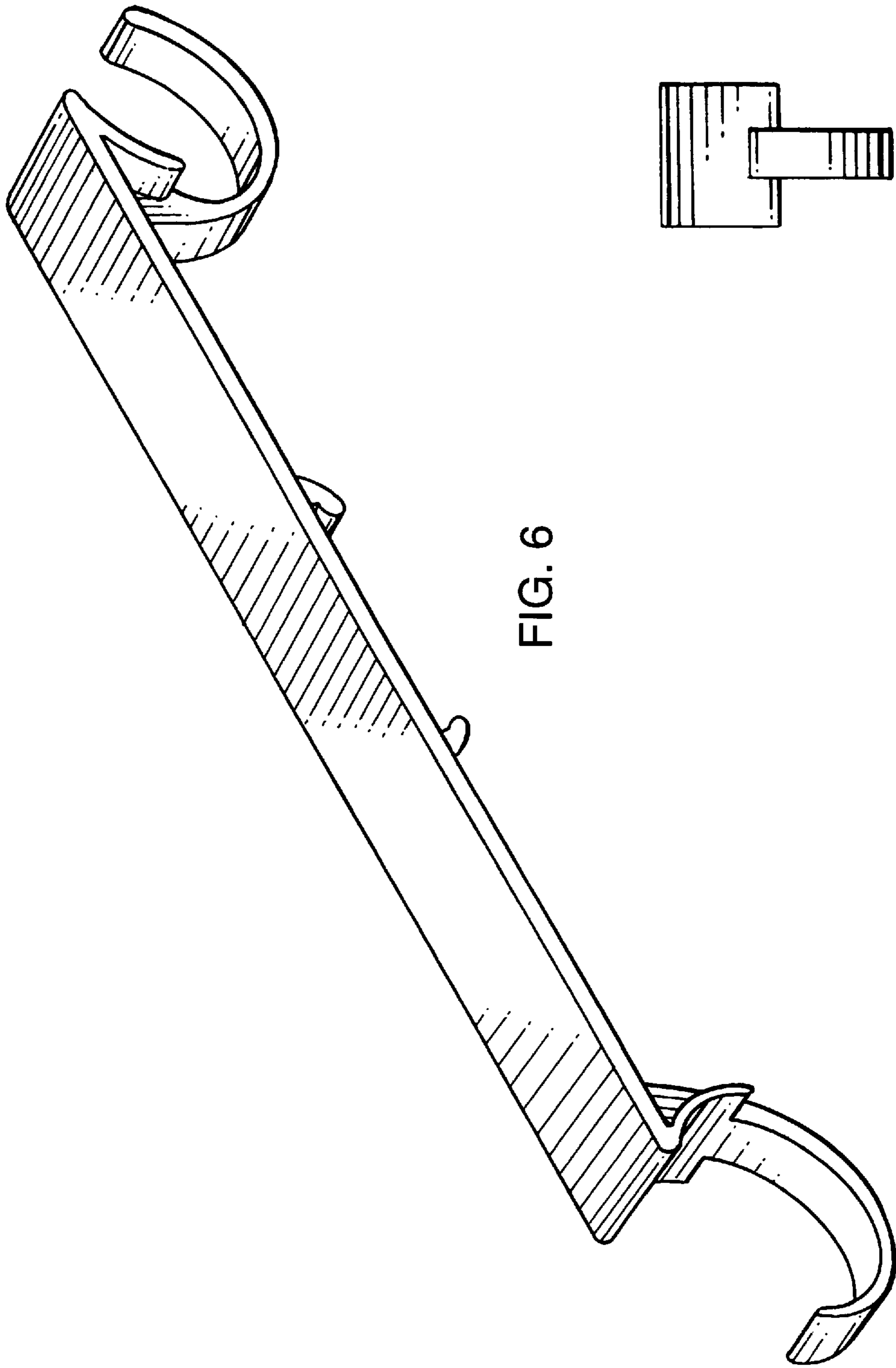


FIG. 6

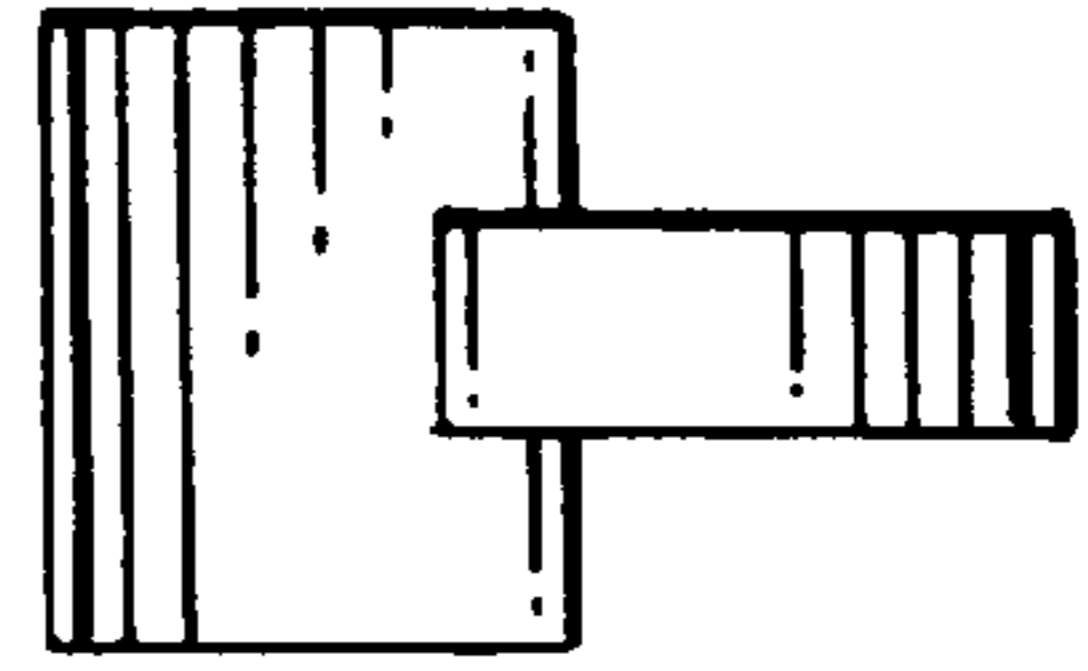


FIG. 7

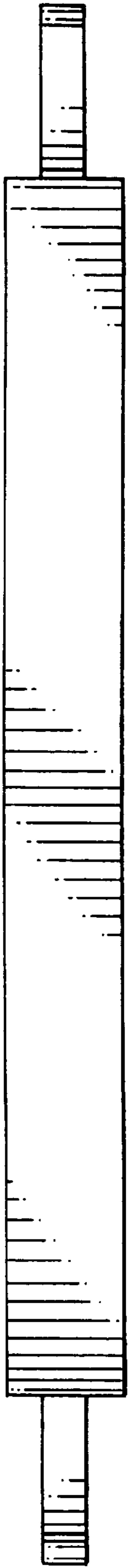


FIG. 8

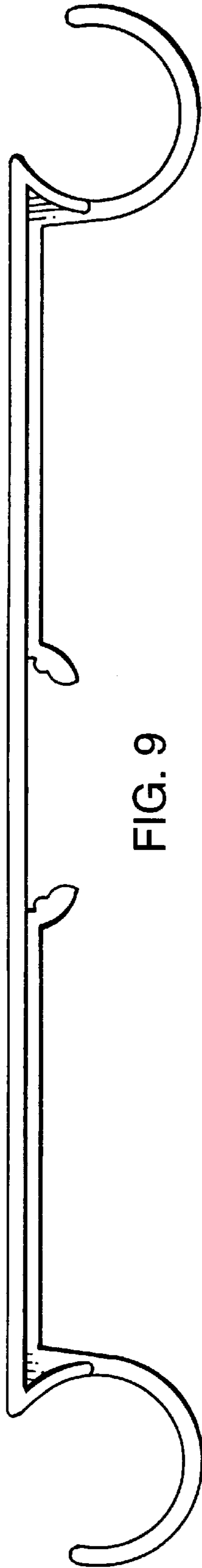


FIG. 9

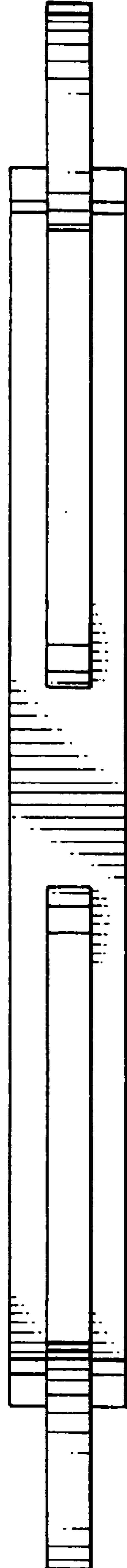


FIG. 10