



US00D406910S

United States Patent [19] Bangle

[11] **Patent Number: Des. 406,910**

[45] **Date of Patent: **Mar. 16, 1999**

[54] **EXTERIOR FACING BODY PANEL SUPPORT FOR A MOUNTING FOR AUTOMOBILE HEADLIGHT ASSEMBLY**

[75] Inventor: **Christopher Edward Bangle**, Gilching, Germany

[73] Assignee: **Bayerische Motoren Werke Aktiengesellschaft**, Munich, Germany

[**] Term: **14 Years**

[21] Appl. No.: **82,189**

[22] Filed: **Jan. 16, 1998**

[30] **Foreign Application Priority Data**

Jul. 16, 1997 [DE] Germany M 97 06 695.8

[51] **LOC (6) Cl.** **26-06**

[52] **U.S. Cl.** **D26/28**

[58] **Field of Search** D26/28-36; 362/61, 362/80-83, 4, 267, 269, 275

[56] **References Cited**

U.S. PATENT DOCUMENTS

- D. 237,998 12/1975 Cible D26/28
- D. 285,973 9/1986 Envall D26/28
- D. 296,937 7/1988 Inada D26/28
- D. 314,630 2/1991 Fukagawa D26/28

Primary Examiner—Marcus A. Jackson
Attorney, Agent, or Firm—Evenson, McKeown, Edwards & Lenahan, PLLC

[57] **CLAIM**

The ornamental design for an exterior facing body panel support for a mounting for automobile headlight assembly, as shown and described.

DESCRIPTION

FIG. 1 is a front view of an exterior facing body panel support for a mounting for automobile headlight assembly according to my novel design;

FIG. 2 is a top view of an exterior facing body panel support for a mounting for automobile headlight assembly according to my novel design;

FIG. 3 is a left side view of an exterior facing body panel support for a mounting for headlight assembly according to my novel design;

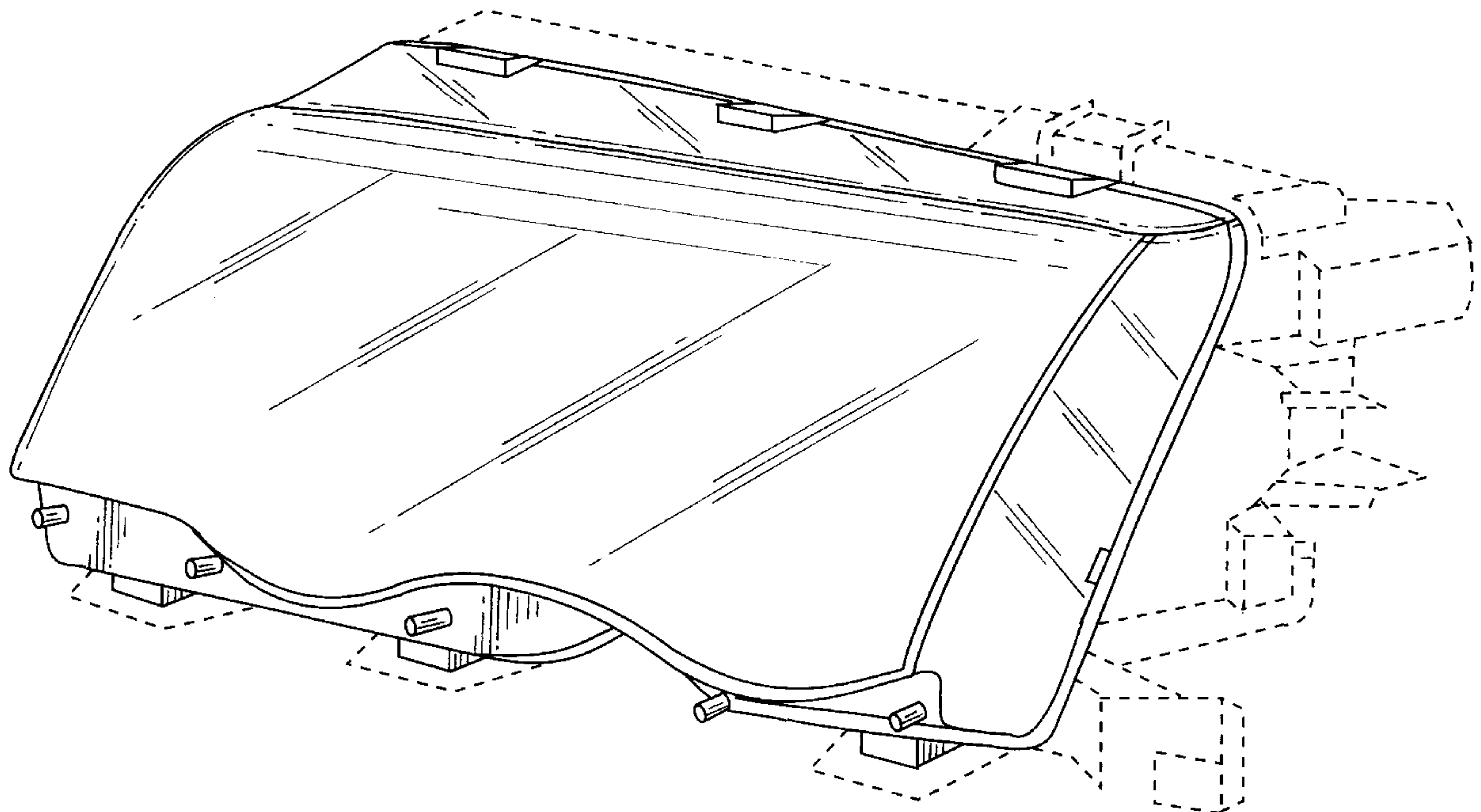
FIG. 4 is a right side view of an exterior facing body panel support for a mounting for automobile headlight assembly according to my novel design;

FIG. 5 is a bottom view of an exterior facing body panel support for a mounting for automobile headlight assembly according to my novel design; and,

FIG. 6 is a perspective view from the front left of an exterior facing body panel support for a mounting for automobile headlight assembly according to my novel design.

The dash line showing depicts environment and is not part of the claimed design. The design envisioned will contain a second portion whose image is mirror symmetrical to this item. The embodiment shown is the left side portion.

1 Claim, 6 Drawing Sheets



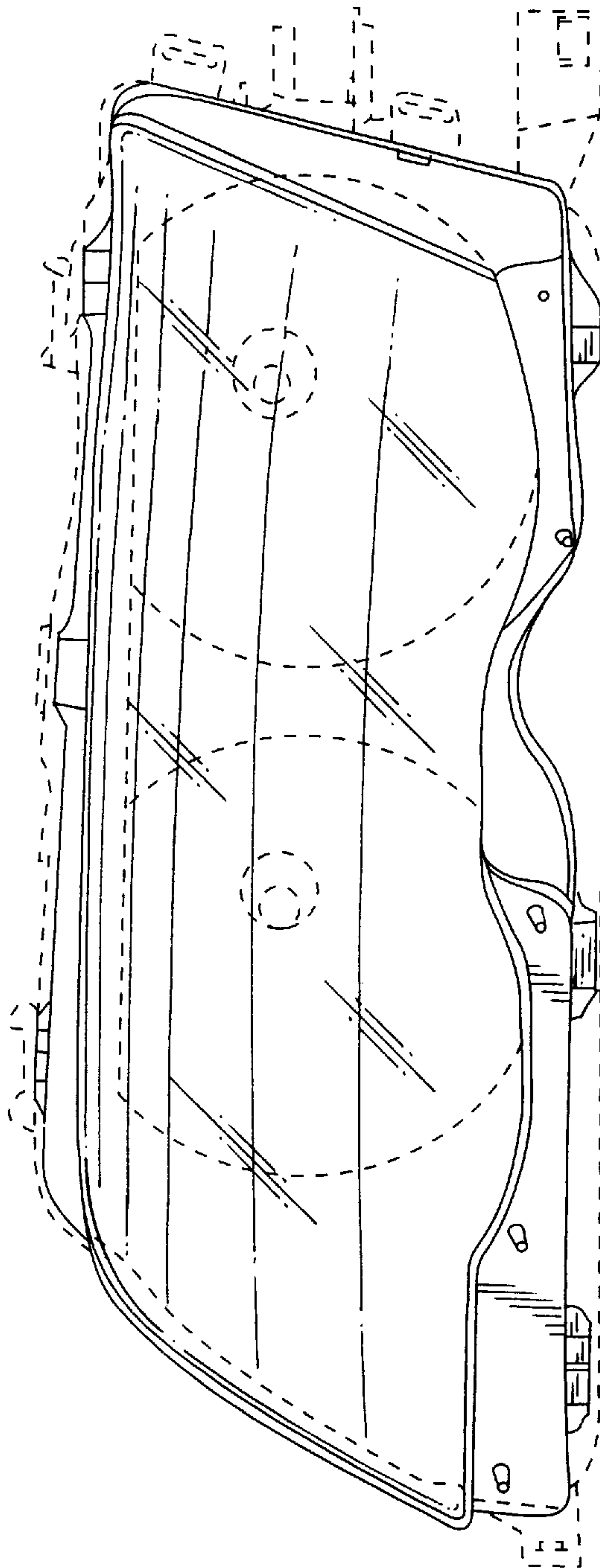


FIG. 1

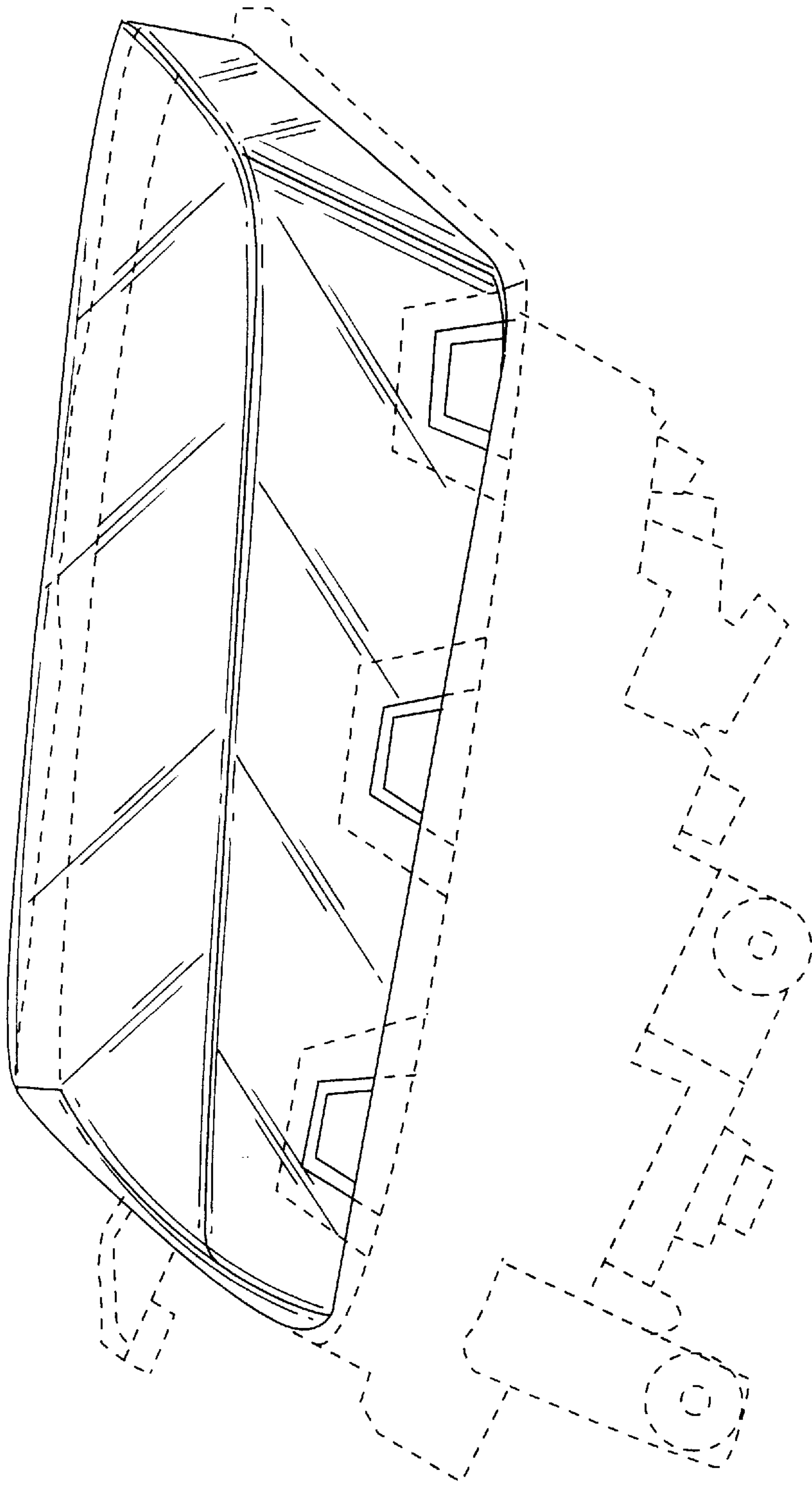


FIG. 2

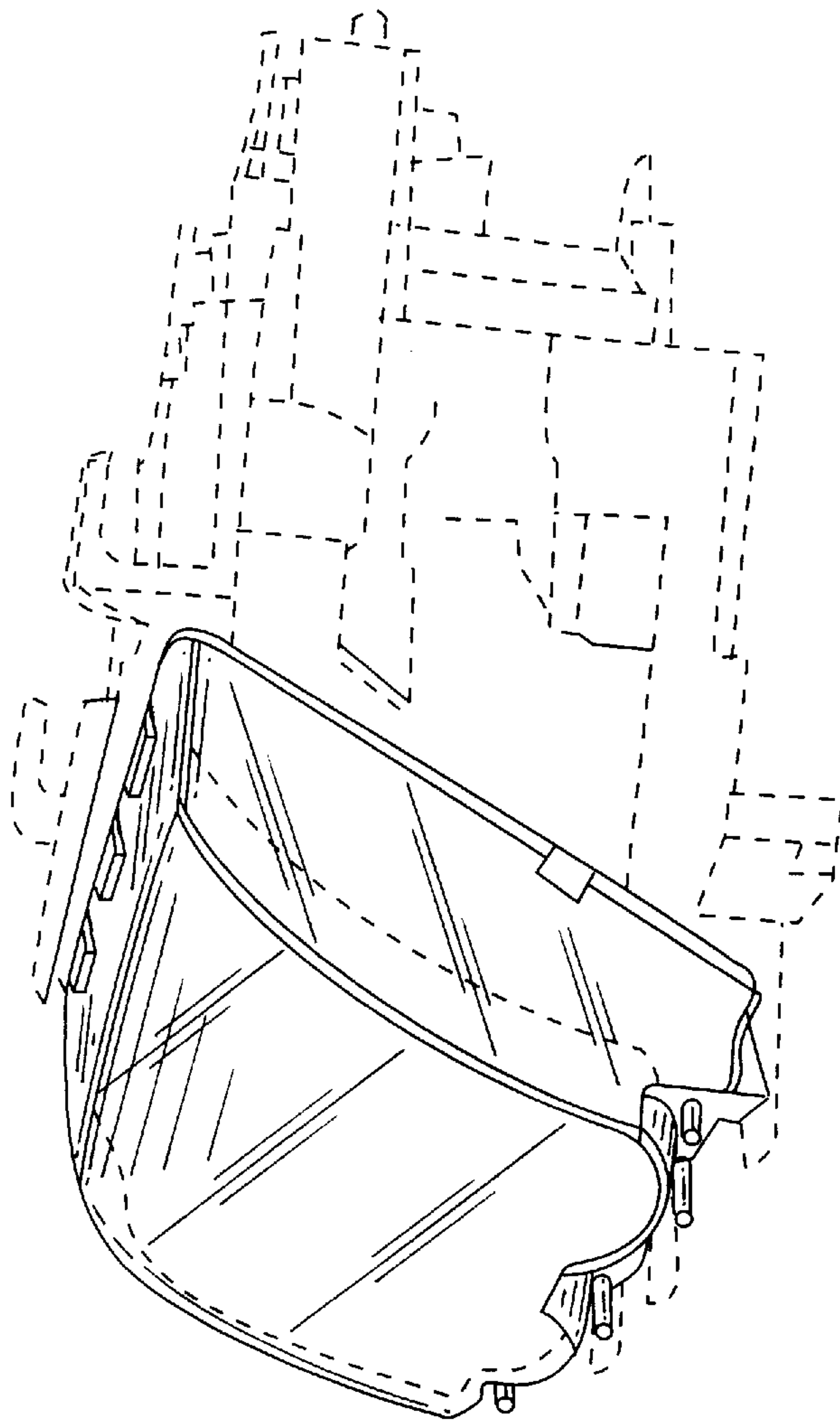


FIG. 3

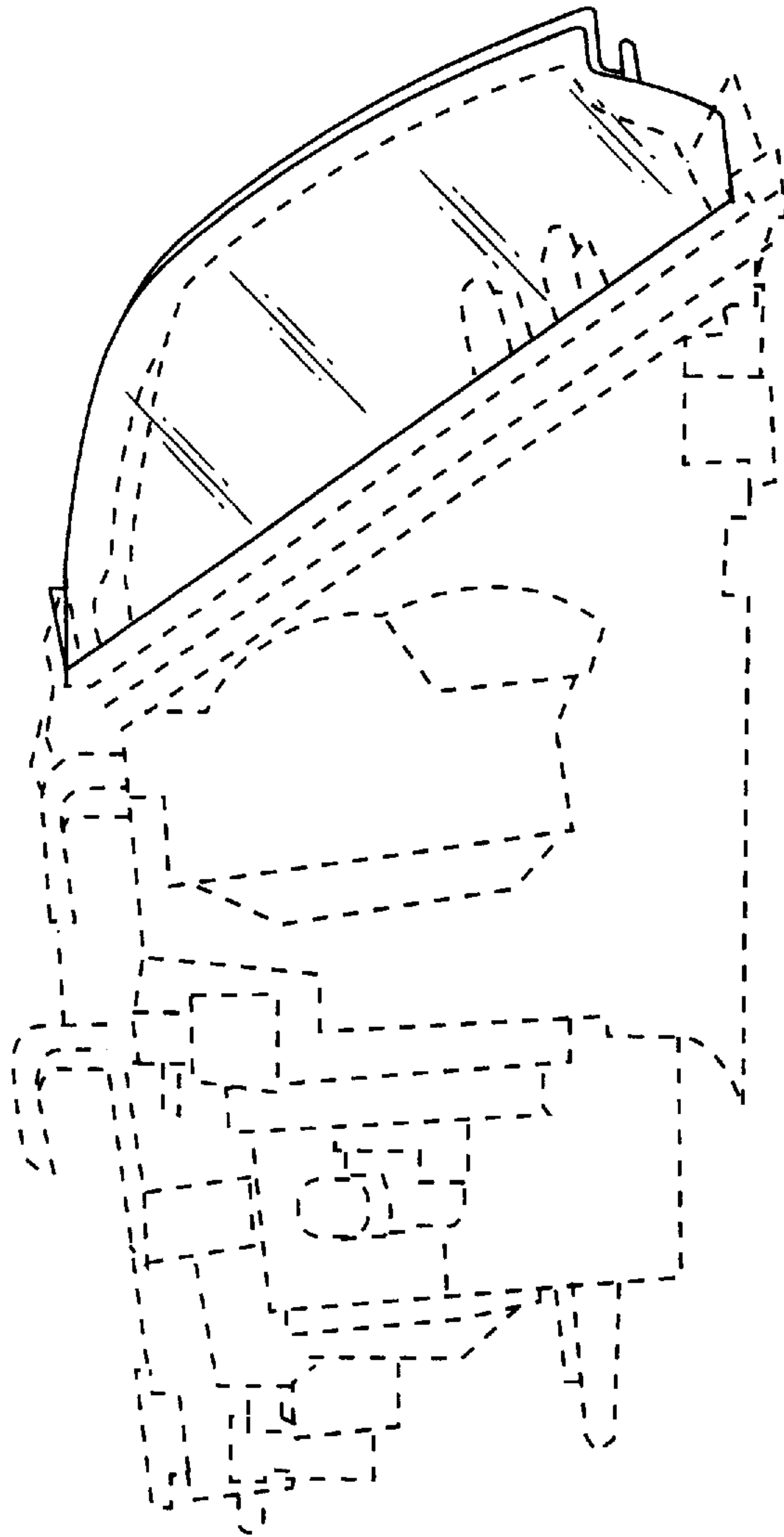


FIG. 4

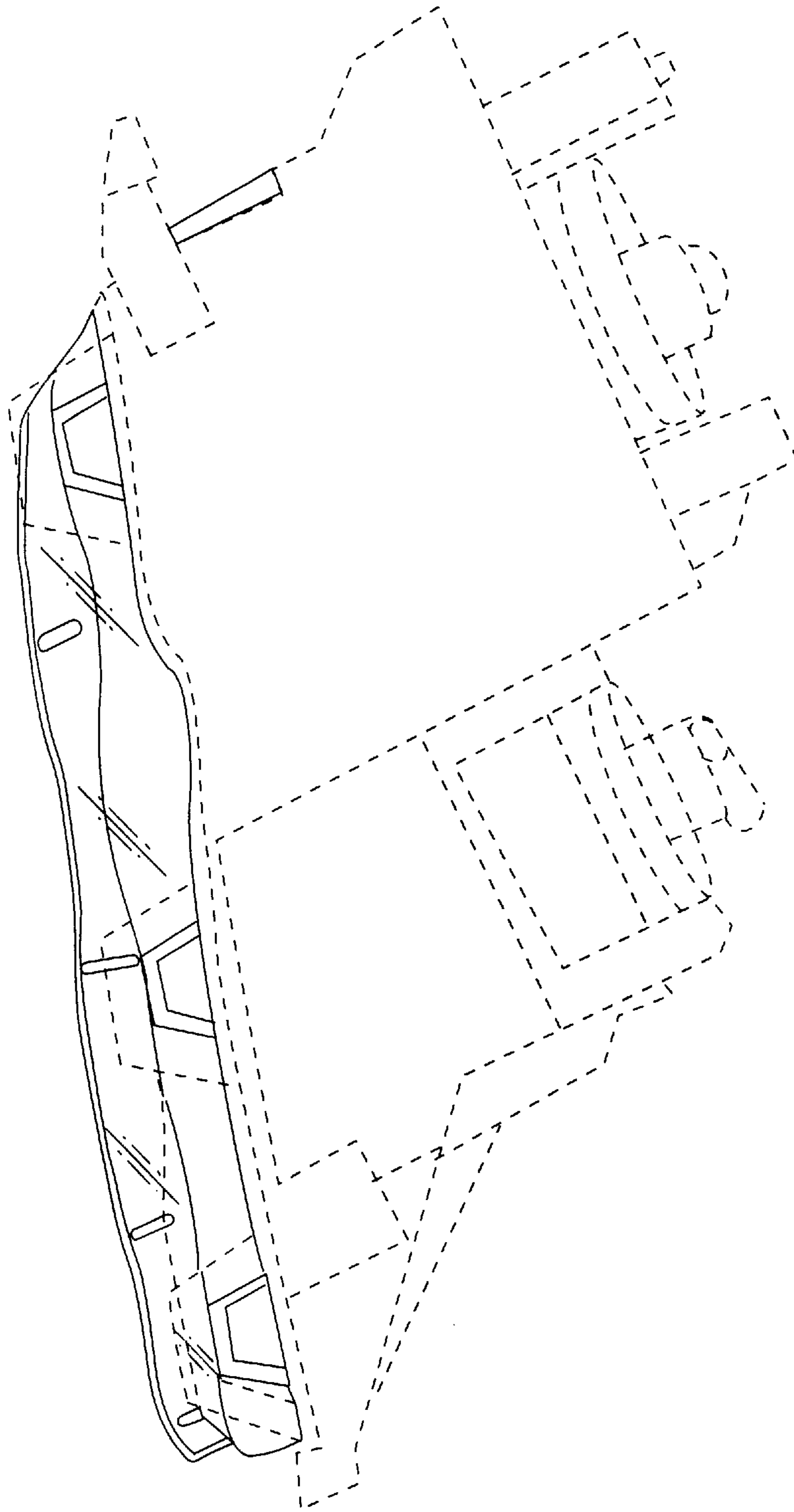


FIG. 5

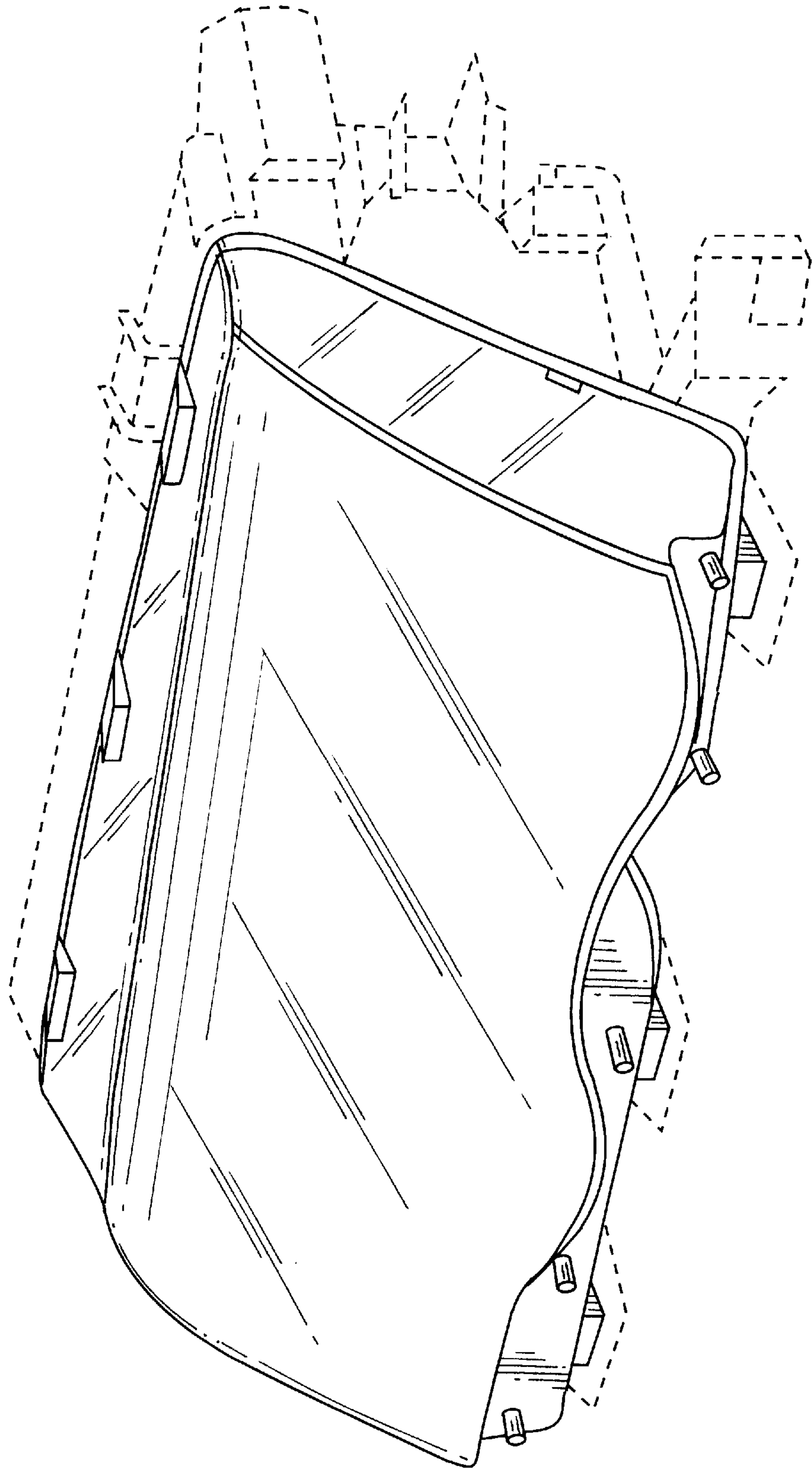


FIG. 6