



US00D406908S

# United States Patent [19]

Foo

[11] Patent Number: **Des. 406,908**

[45] Date of Patent: **\*\*Mar. 16, 1999**

[54] **4U FLUORESCENT TUBE**

[75] Inventor: **Onn Fah Foo**, Kowloon, Hong Kong

[73] Assignee: **Mass Technology, (H.K.) Ltd.**,  
Kowloon, Hong Kong

[\*\*] Term: **14 Years**

[21] Appl. No.: **86,892**

[22] Filed: **Apr. 22, 1998**

[51] **LOC (6) Cl.** ..... **26-02**

[52] **U.S. Cl.** ..... **D26/3**

[58] **Field of Search** ..... D26/1, 2, 3; 313/315,  
313/317, 318, 110, 113, 116, 491, 493,  
567, 569; 315/56, 57, 58, 73

[56] **References Cited**

**U.S. PATENT DOCUMENTS**

- D. 270,480 9/1983 Young ..... D26/3
- D. 303,157 8/1989 Misono et al. .... D26/3

- D. 304,241 10/1989 Kamei et al. .... D26/3
- D. 349,969 8/1994 Yang ..... D26/3
- D. 390,674 2/1998 Foo ..... D26/3
- 4,319,162 3/1982 Hoeh ..... D26/3

*Primary Examiner*—Marcus A. Jackson  
*Attorney, Agent, or Firm*—Beveridge, DeGrandi, Weilacher  
& Young, LLP

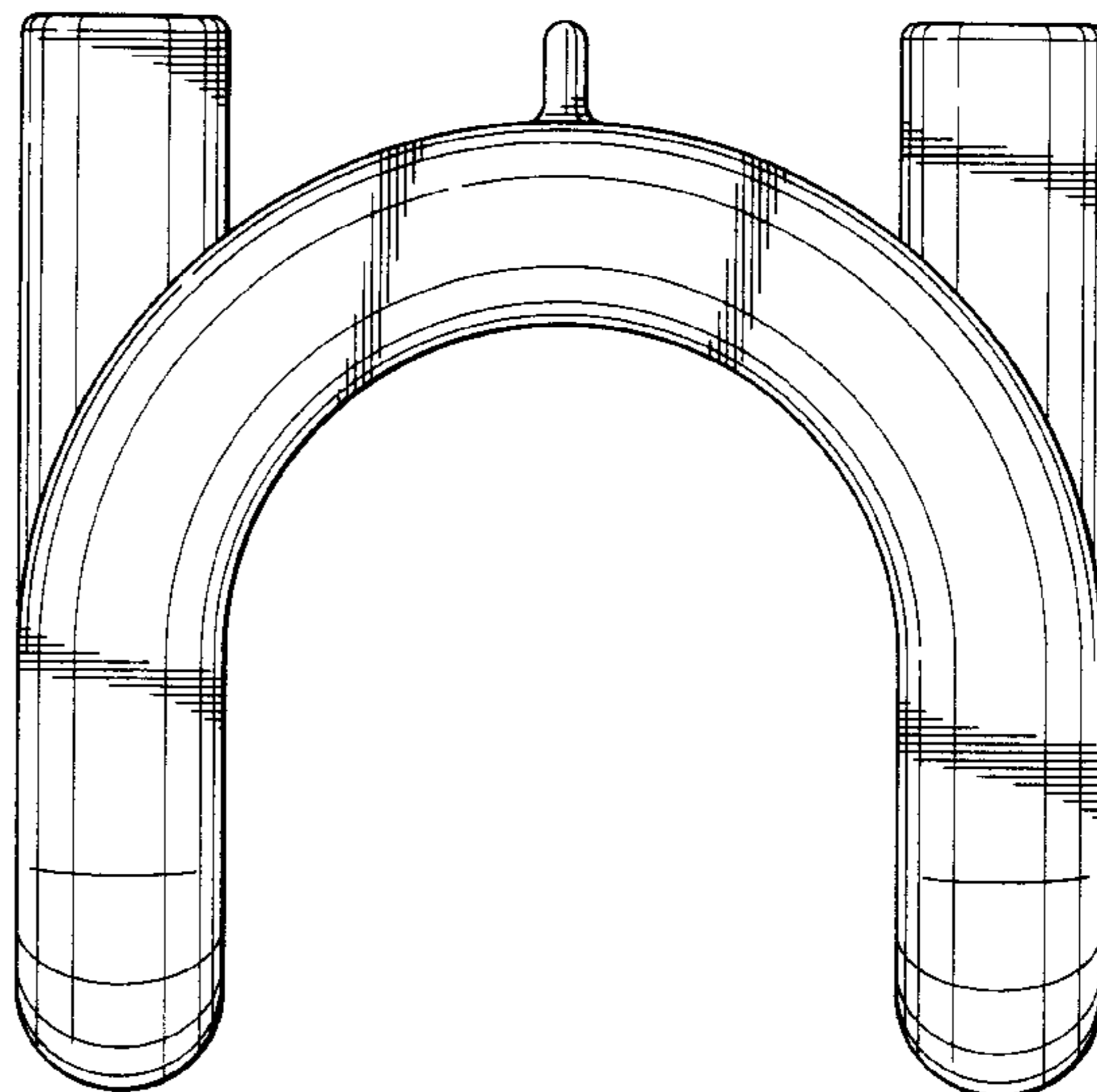
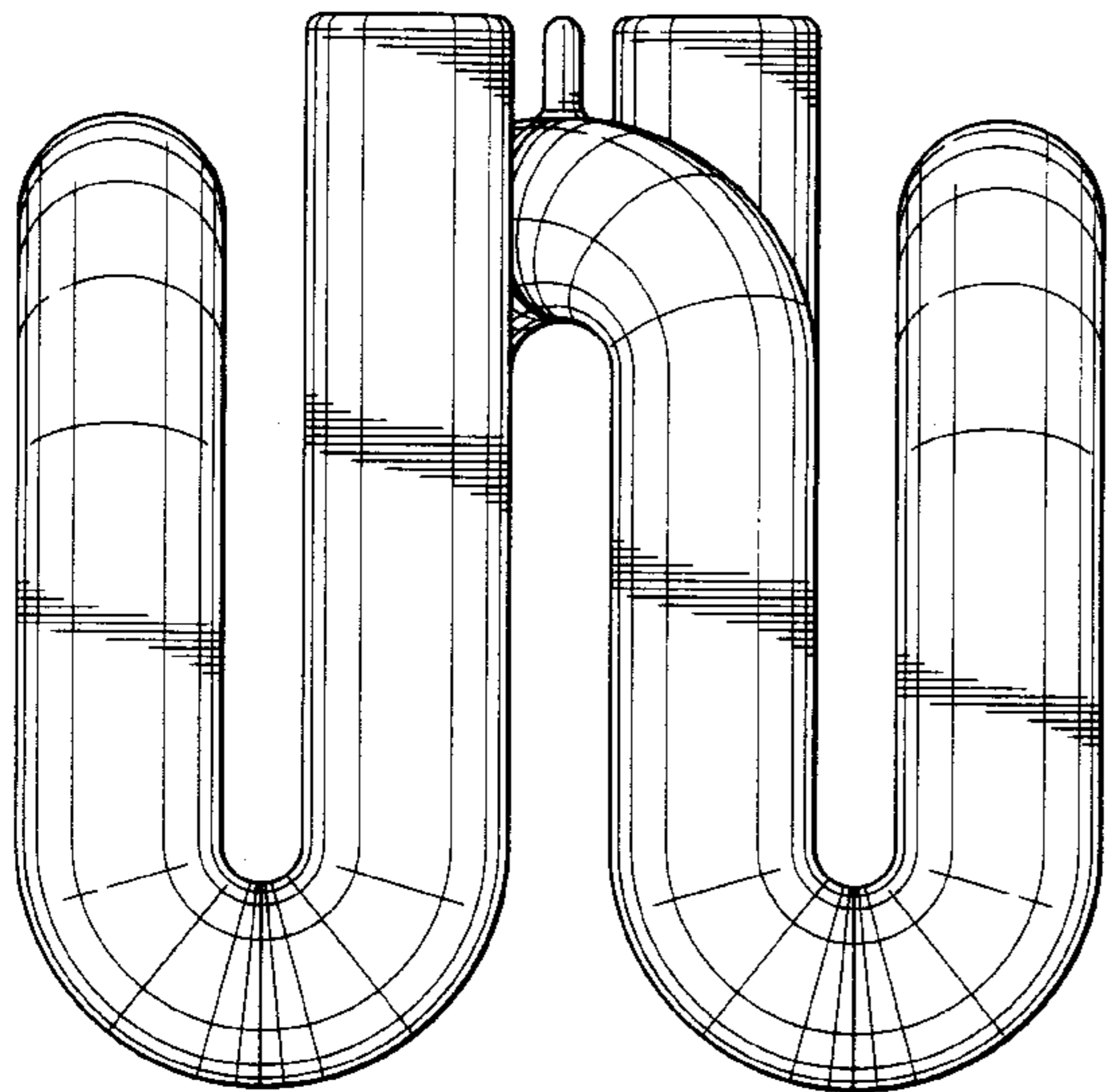
[57] **CLAIM**

The ornamental design for a 4U fluorescent tube, as shown and described.

**DESCRIPTION**

FIG. 1 is a front view showing my new design;  
FIG. 2 is a rear view thereof;  
FIG. 3 is a left side view thereof;  
FIG. 4 is a right side view thereof;  
FIG. 5 is a top view thereof; and,  
FIG. 6 is a bottom view thereof.

**1 Claim, 3 Drawing Sheets**



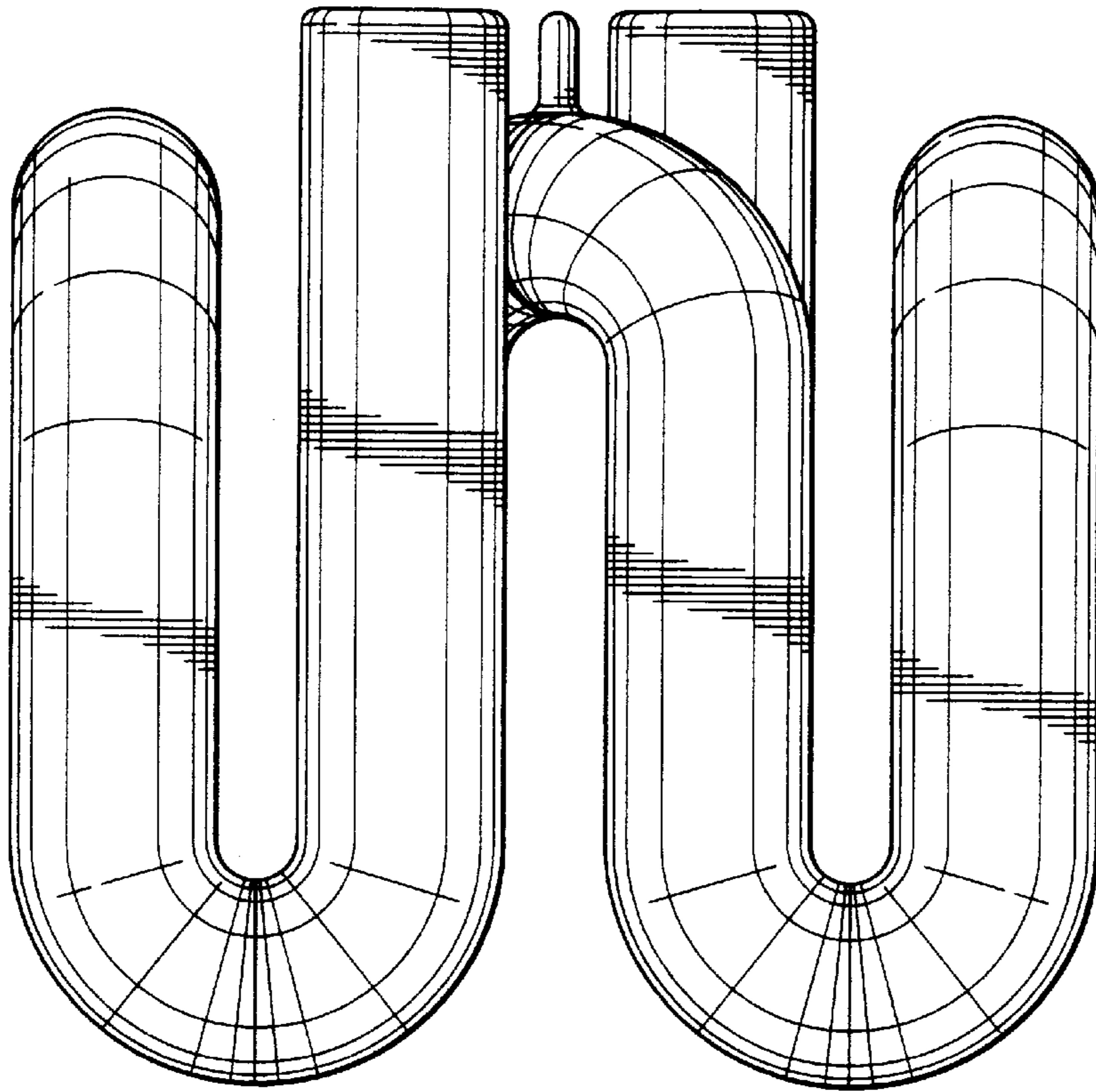


FIG. 1

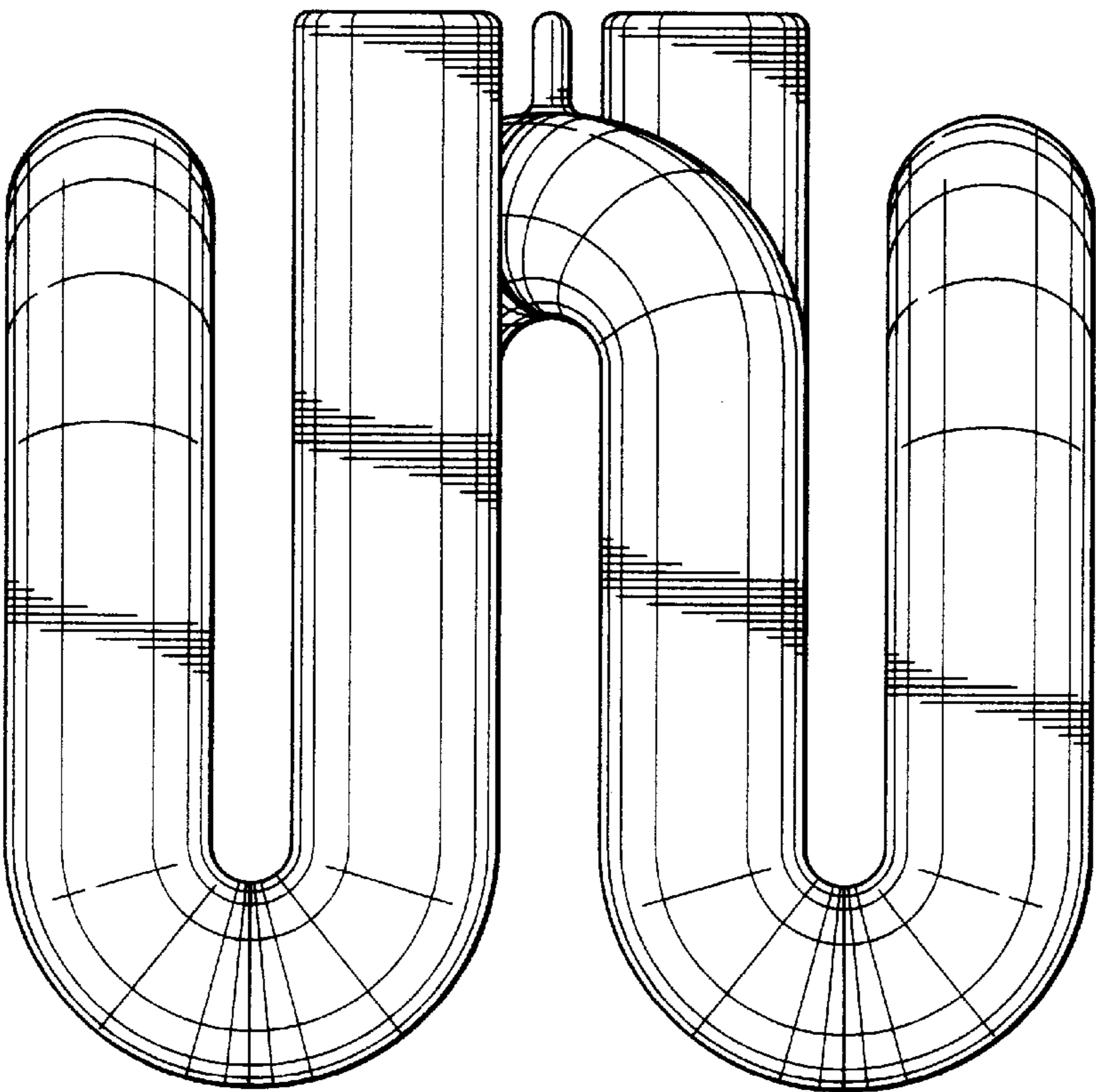


FIG. 2

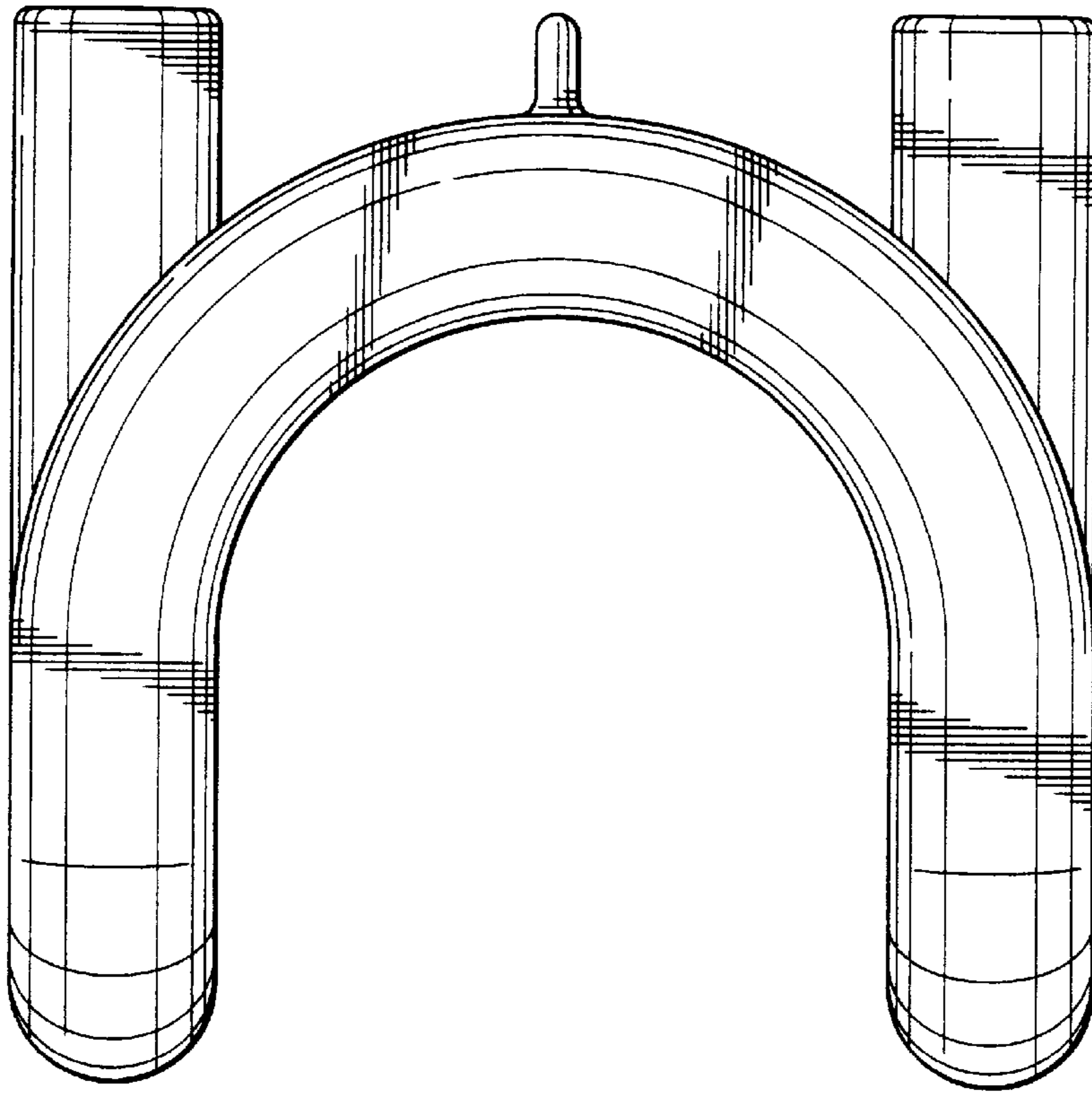


FIG. 3

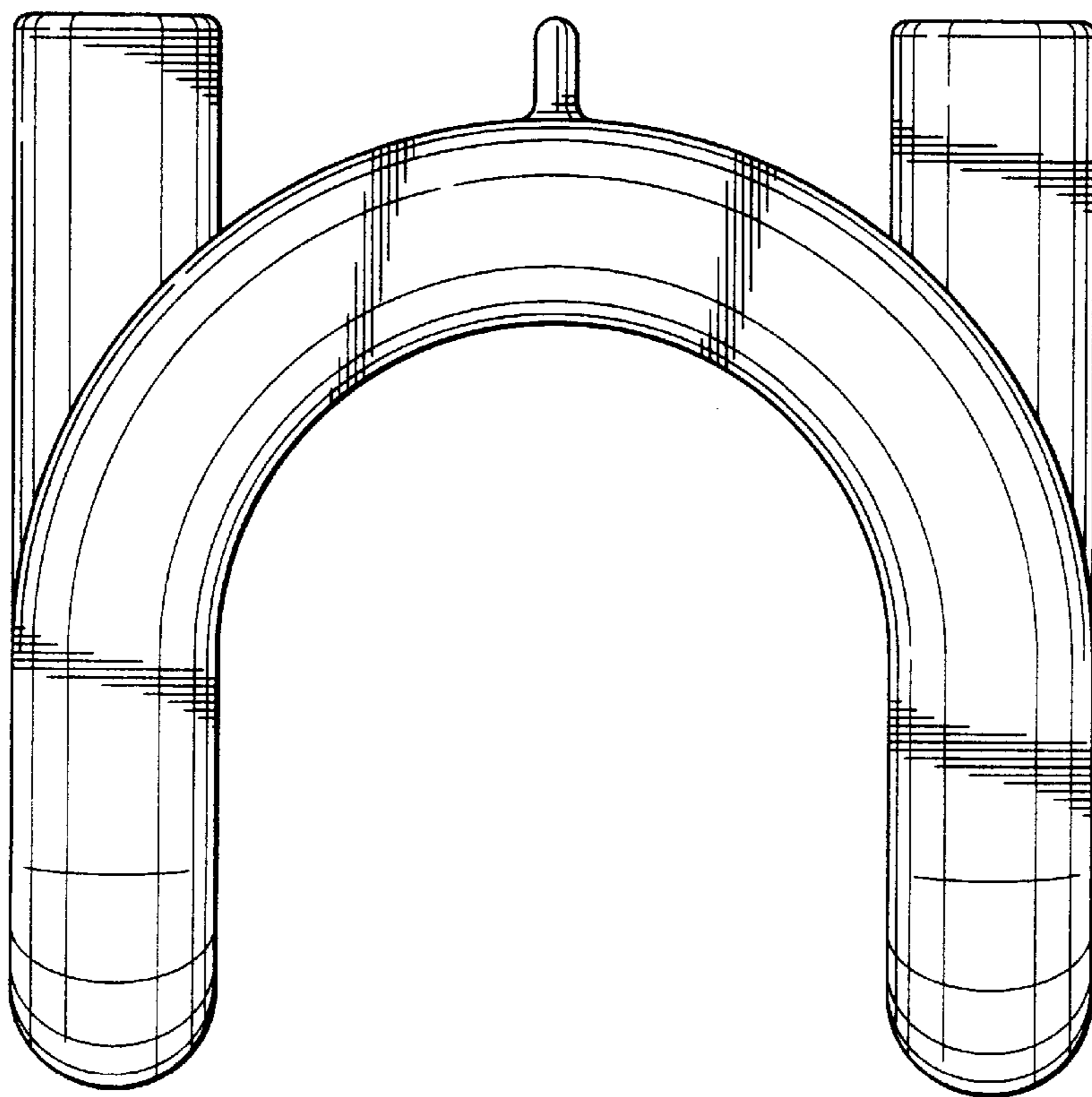


FIG. 4

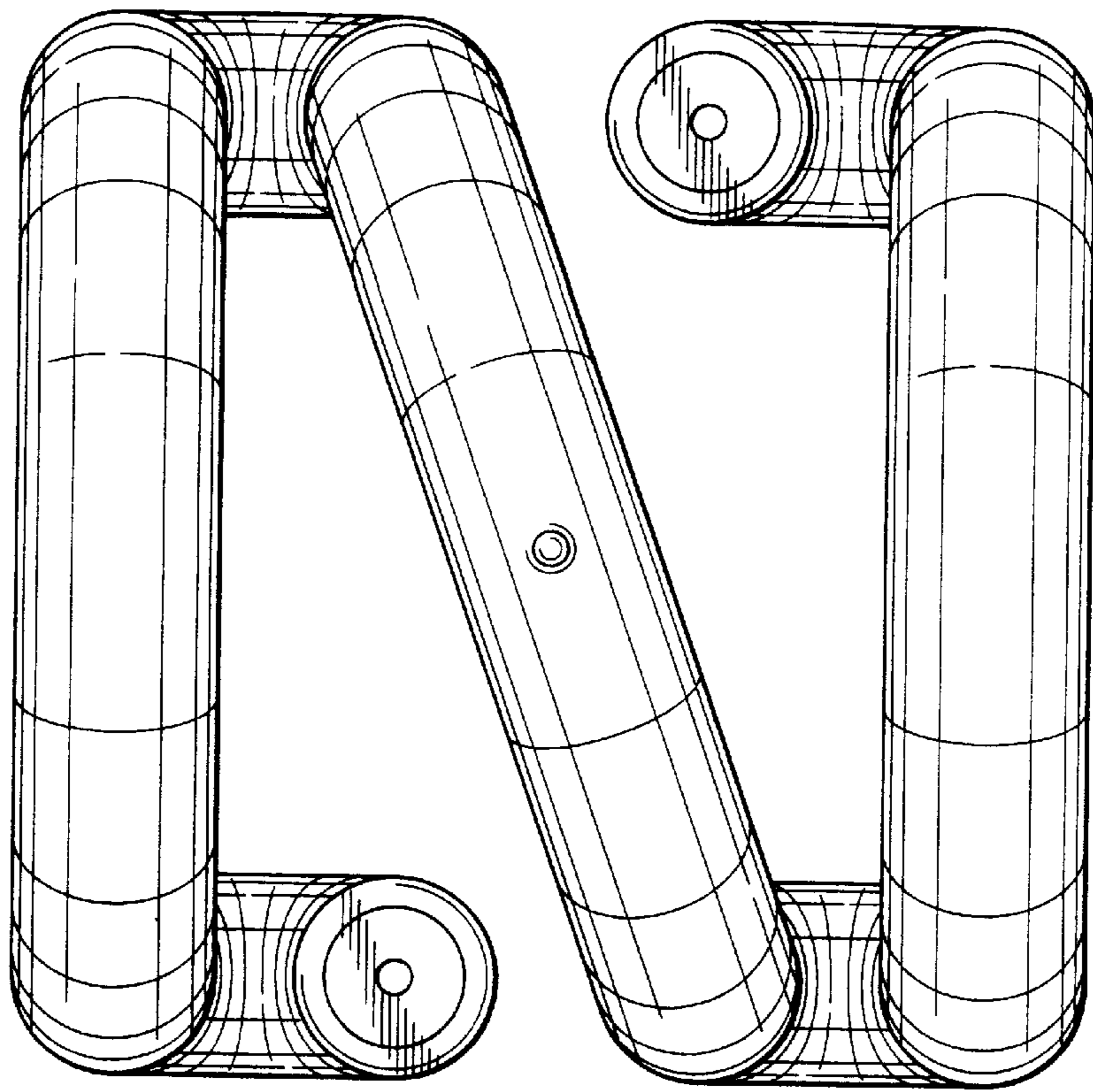


FIG. 5

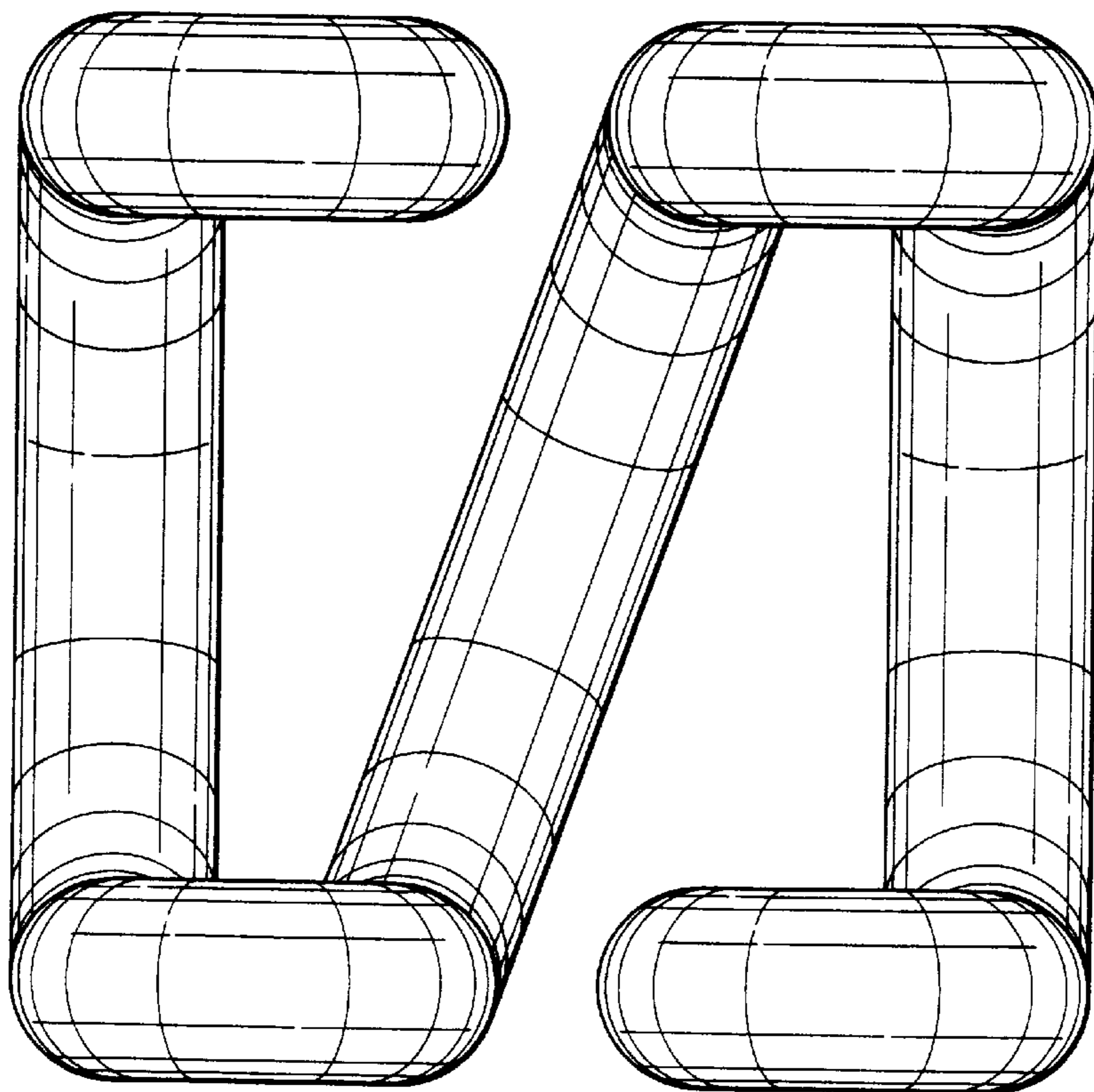


FIG. 6