



US00D406907S

United States Patent [19]
DiGiorgio

[11] **Patent Number: Des. 406,907**

[45] **Date of Patent: ***Mar. 16, 1999**

[54] **SASH STILE**

[75] **Inventor: Tony DiGiorgio, Woodbridge, Canada**

[73] **Assignee: Dominion Plastics Inc., Woodbridge, Canada**

[*] **Notice:** The portion of the term of this patent subsequent to Jul. 15, 2011, has been disclaimed.

[**] **Term: 14 Years**

[21] **Appl. No.: 55,172**

[22] **Filed: May 31, 1996**

[51] **LOC (6) Cl. 25-01**

[52] **U.S. Cl. D25/124**

[58] **Field of Search D25/48, 52, 60, D25/122-125; 49/501, 504, DIG. 2; 52/204.5, 204.55, 656.4, 656.5, 656.6, 656.7**

[56] **References Cited**

U.S. PATENT DOCUMENTS

D. 335,712 5/1993 Cole D25/124
4,689,933 9/1987 Biro 52/656.5

Primary Examiner—Doris Clark

[57] **CLAIM**

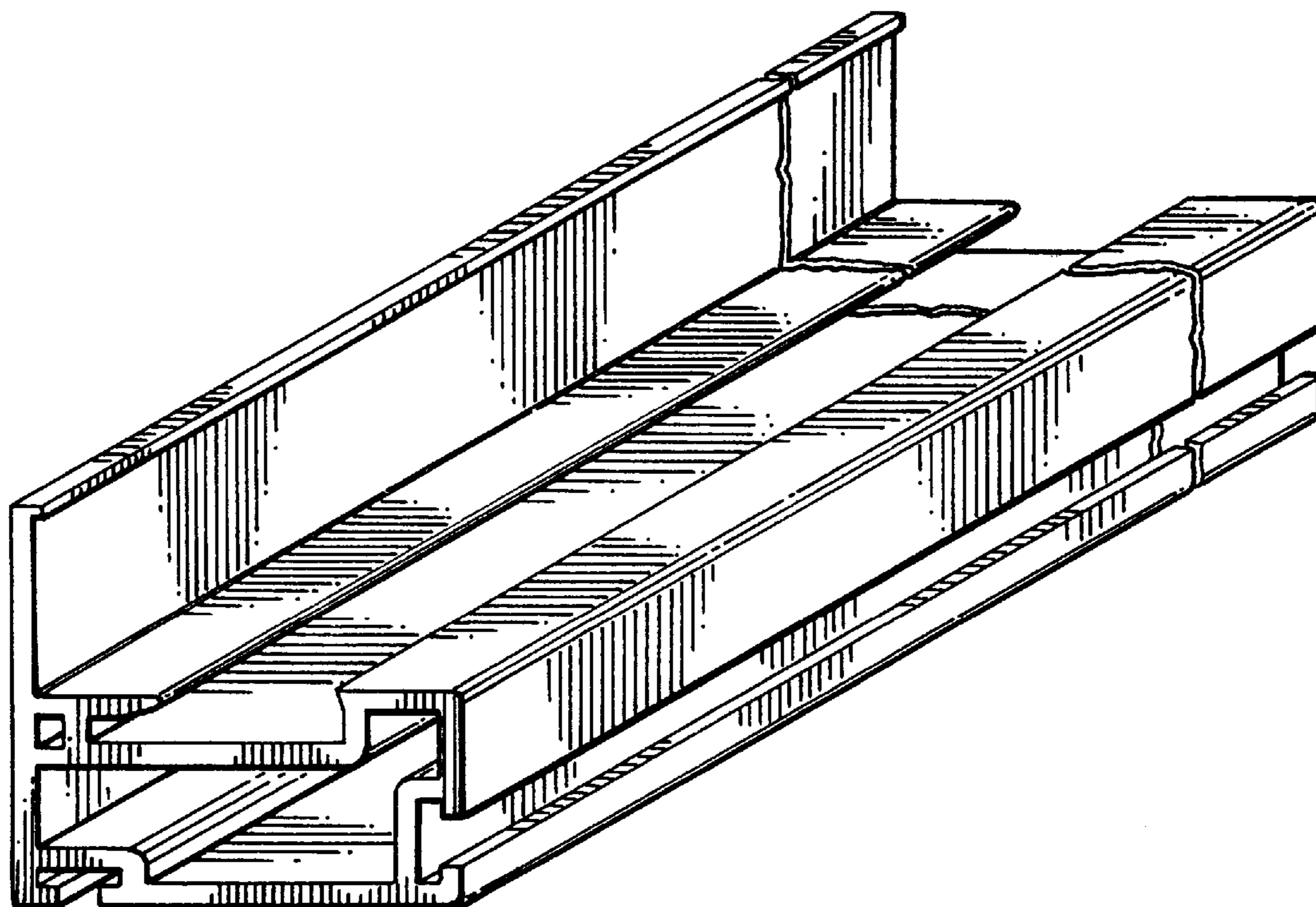
The ornamental design for a sash stile, as shown and described.

DESCRIPTION

FIG. 1 is a perspective view of the sash stile; and, FIG. 2 is an end view sash stile.

The sash stile is broken away near the end to indicate indeterminate length.

1 Claim, 1 Drawing Sheet



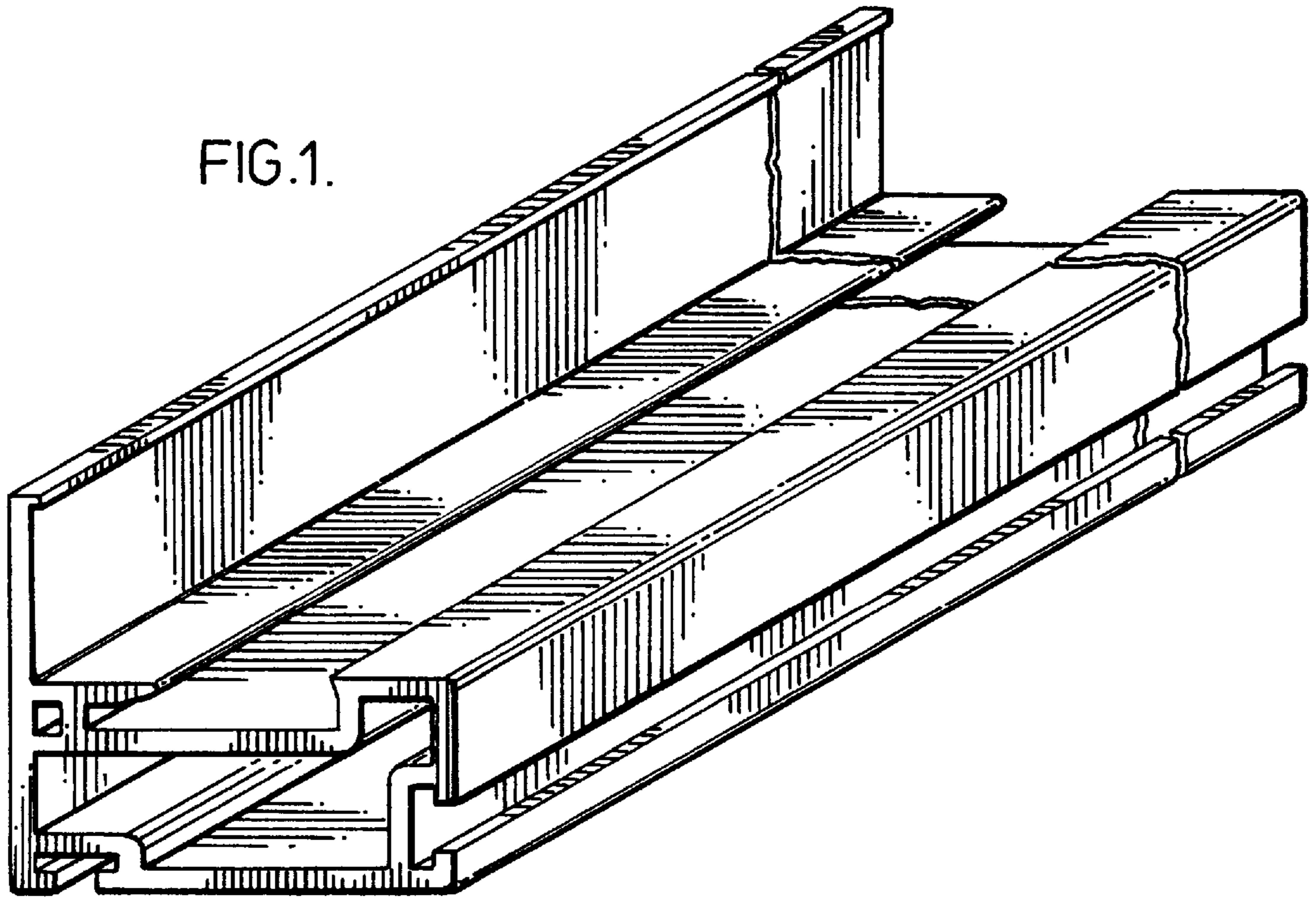


FIG. 2.

