



US00D406906S

United States Patent [19]
Kinoshita

[11] **Patent Number: Des. 406,906**

[45] **Date of Patent: **Mar. 16, 1999**

[54] **PIVOTING METAL FOOT-STEP FOR A STEEL TOWER**

53-60601 10/1951 Japan .
5-36080 2/1987 Japan .

[75] Inventor: **Toru Kinoshita**, Fukuoka, Japan

Primary Examiner—Doris Clark
Attorney, Agent, or Firm—Flynn, Thiel, Boutell & Tanis, P.C.

[73] Assignee: **Nihon Gaishi Seisen Kogyo Co., Ltd.**, Fukuoka, Japan

[**] Term: **14 Years**

[57] **CLAIM**

[21] Appl. No.: **68,168**

The ornamental design of a pivoting metal foot-step for a steel tower, as shown and described.

[22] Filed: **Mar. 13, 1997**

DESCRIPTION

Related U.S. Application Data

[62] Division of Ser. No. 59,929, Sep. 18, 1996, abandoned.

[51] **LOC (6) Cl.** **25-04**

[52] **U.S. Cl.** **D25/69**

[58] **Field of Search** D25/69; 182/228, 182/221, 92

FIG. 1 is a front view of my design of a pivoting metal foot-step for a steel tower;
FIG. 2 is a rear view thereof;
FIG. 3 is a top view thereof;
FIG. 4 is a bottom view thereof;
FIG. 5 is a left end view thereof;
FIG. 6 is a right end view thereof;
FIG. 7 is a cross sectional view thereof taken on the line 7—7 of FIG. 3;

[56] **References Cited**

U.S. PATENT DOCUMENTS

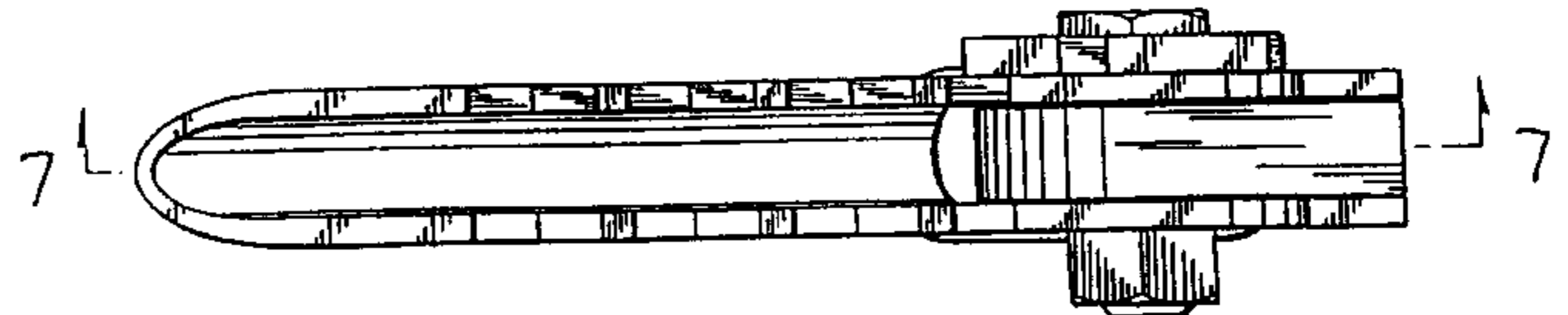
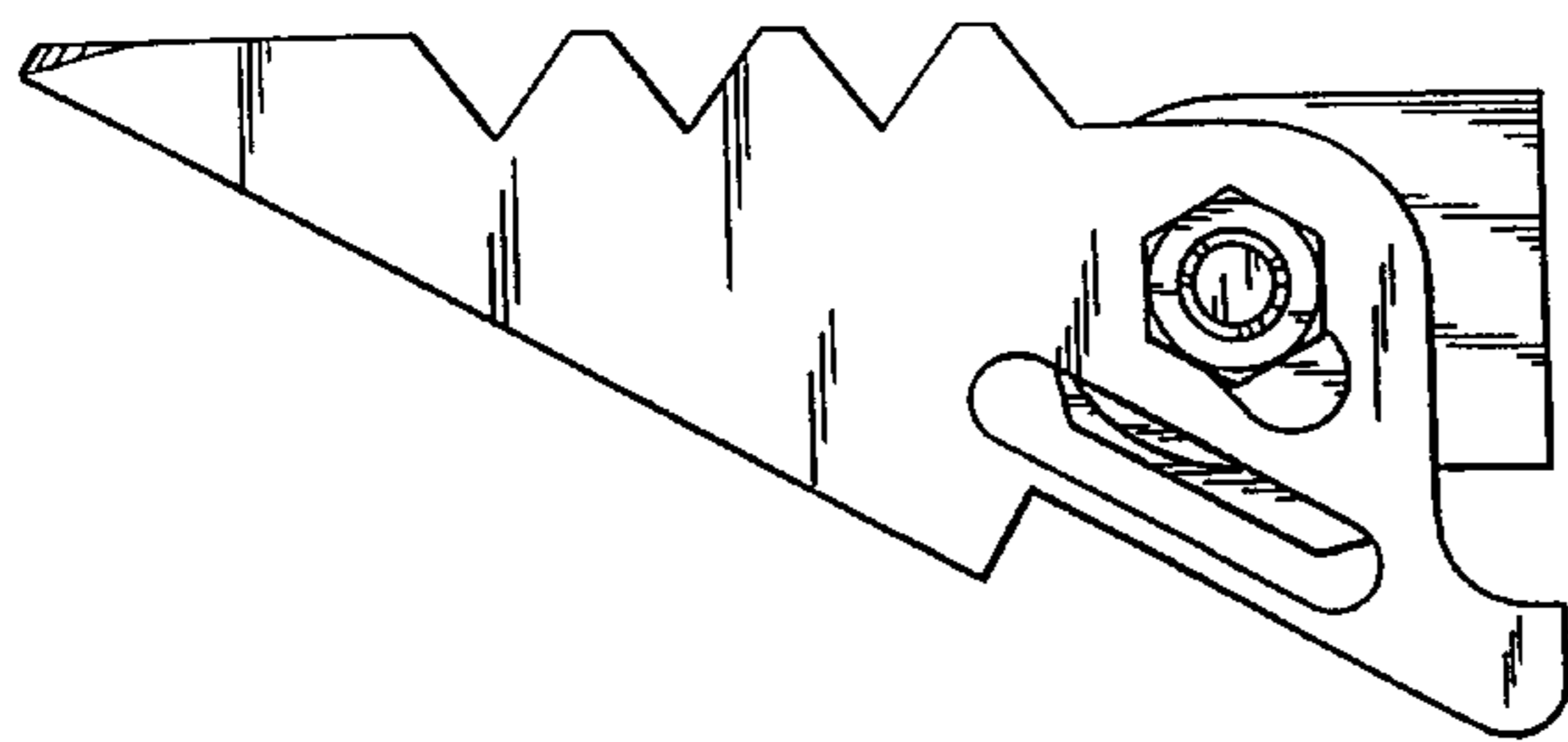
- D. 324,130 2/1992 Matsumoto et al. D25/69
- D. 351,030 9/1994 Laughlin et al. .
- 4,620,610 11/1986 Southard .

FIG. 8 is a reduced front view thereof similar to FIG. 1 and shown fixed to an environmental pipe on a tower in a position of use as a foot step; and,
FIG. 9 is a reduced front view similar to FIG. 8 but showing the step portion thereof pivoted up to a non-use position.
The broken lines showing a pipe is for illustrative purposes only and forms no part of the claimed design.

FOREIGN PATENT DOCUMENTS

51-12141 7/1949 Japan .

1 Claim, 4 Drawing Sheets



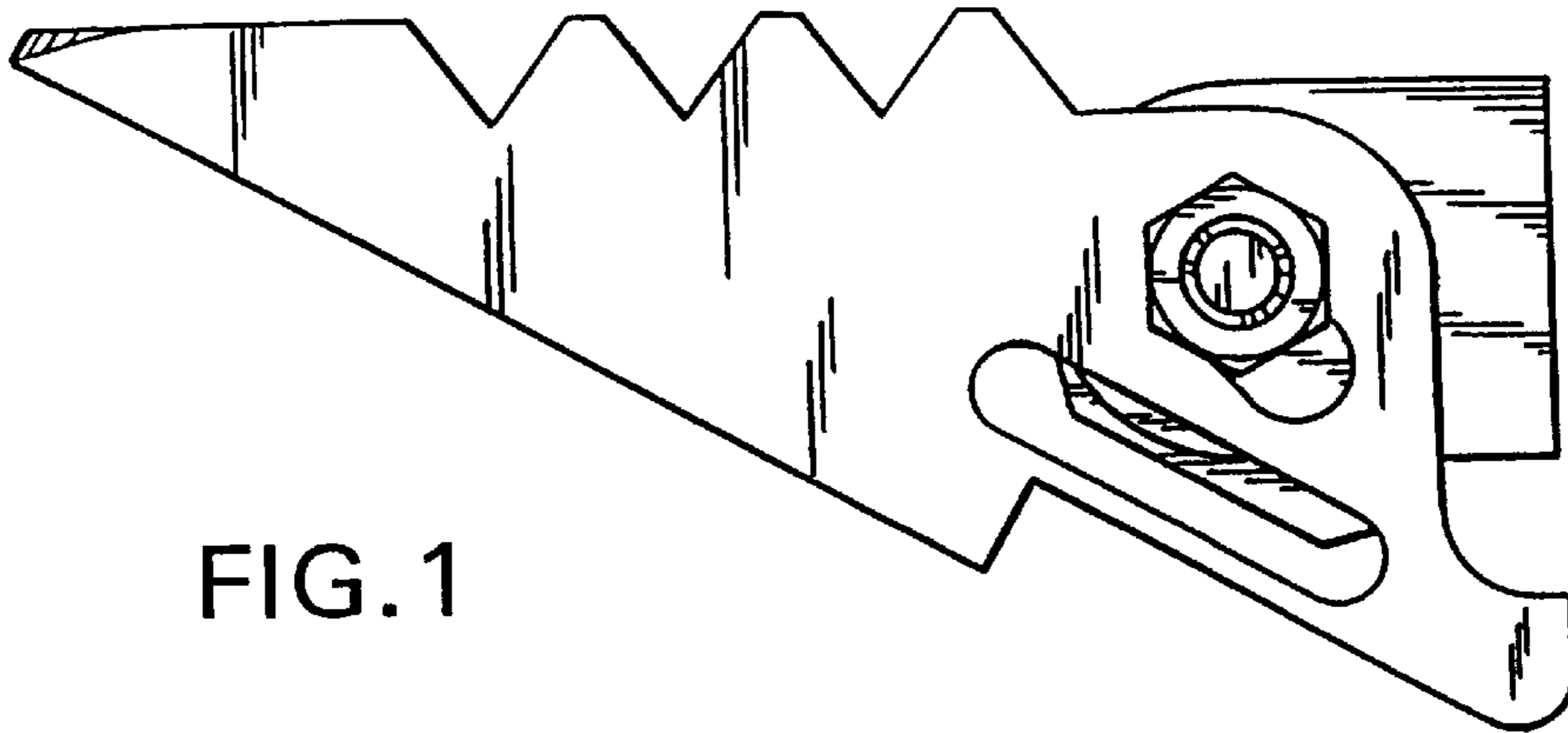


FIG. 1

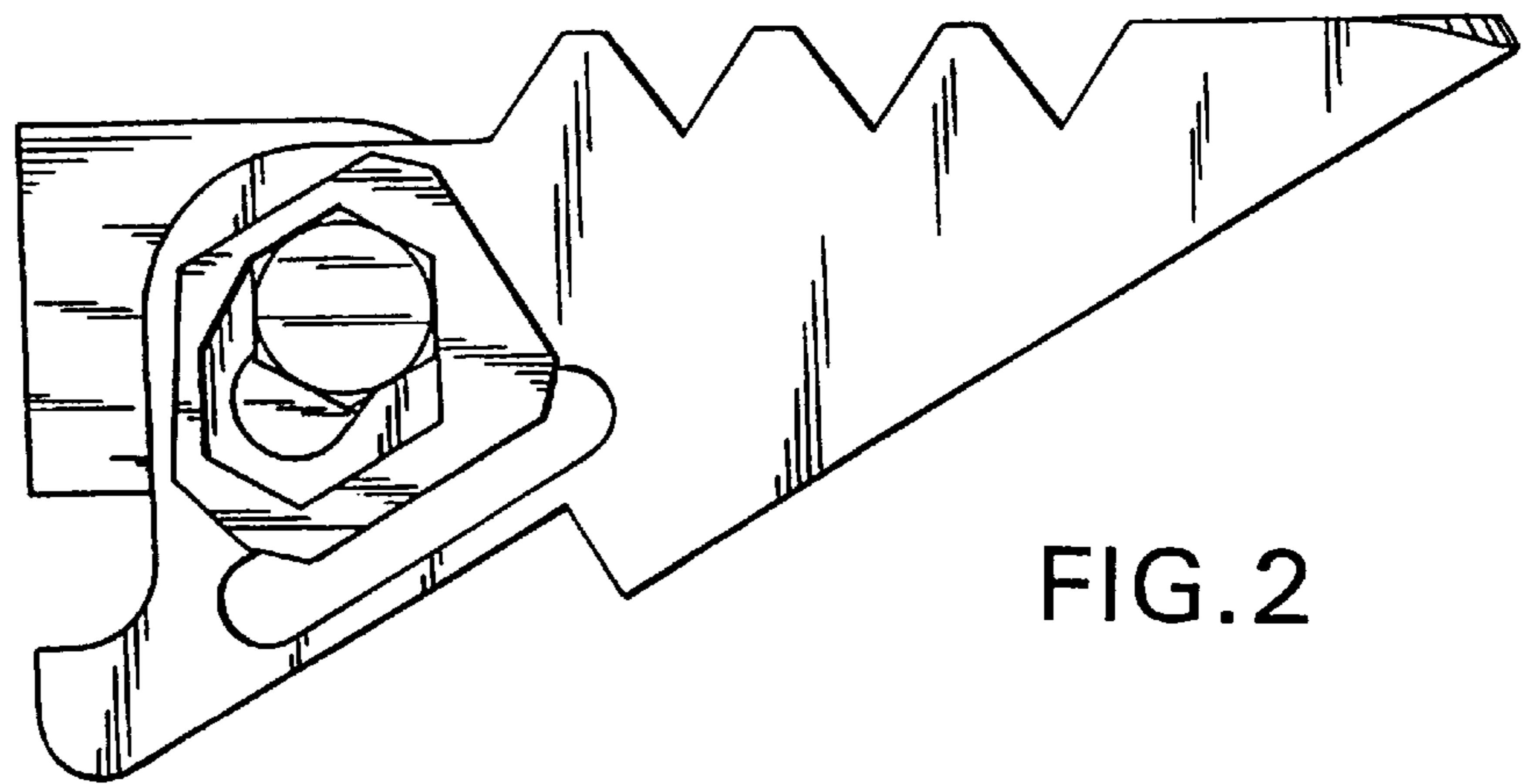


FIG. 2

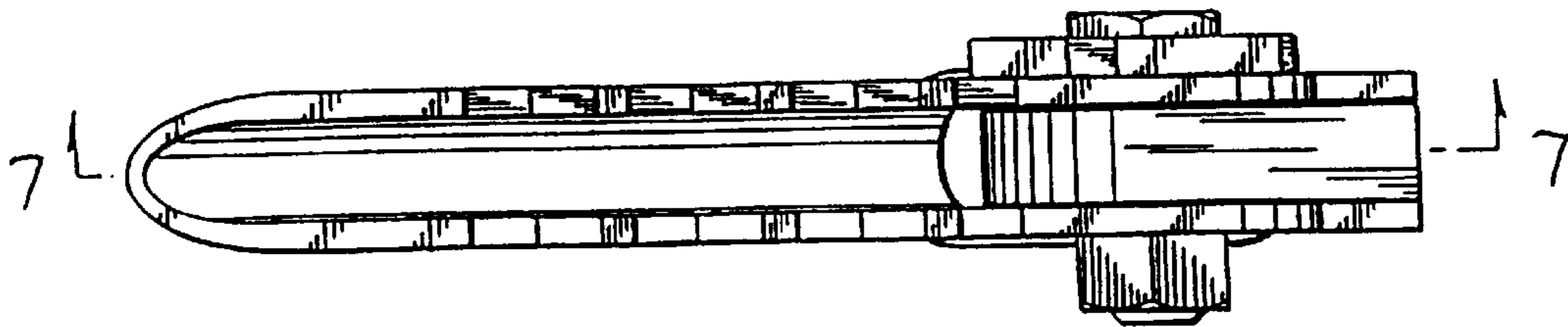


FIG. 3

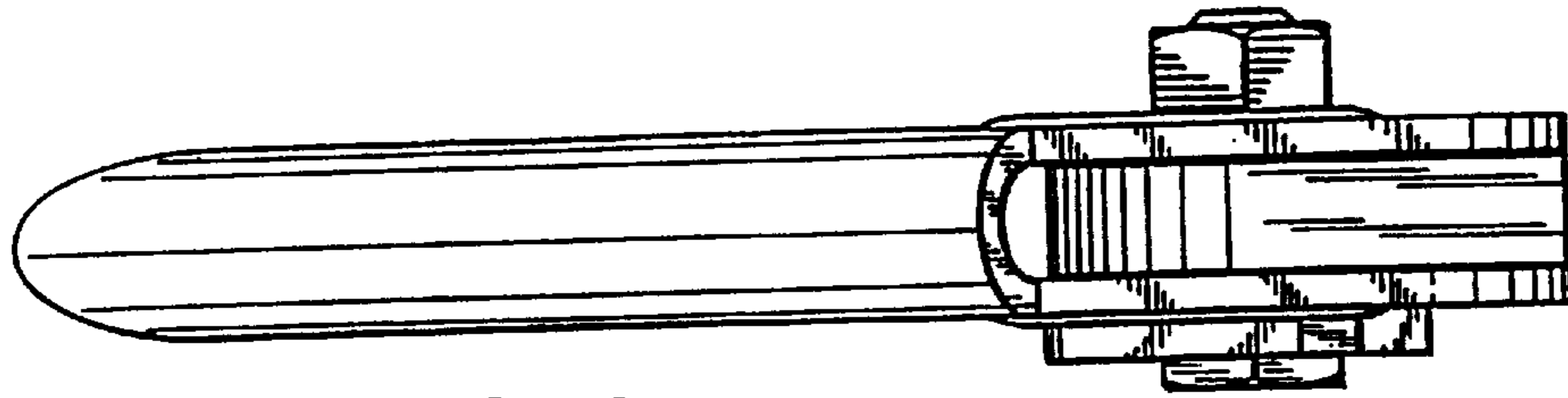


FIG. 4

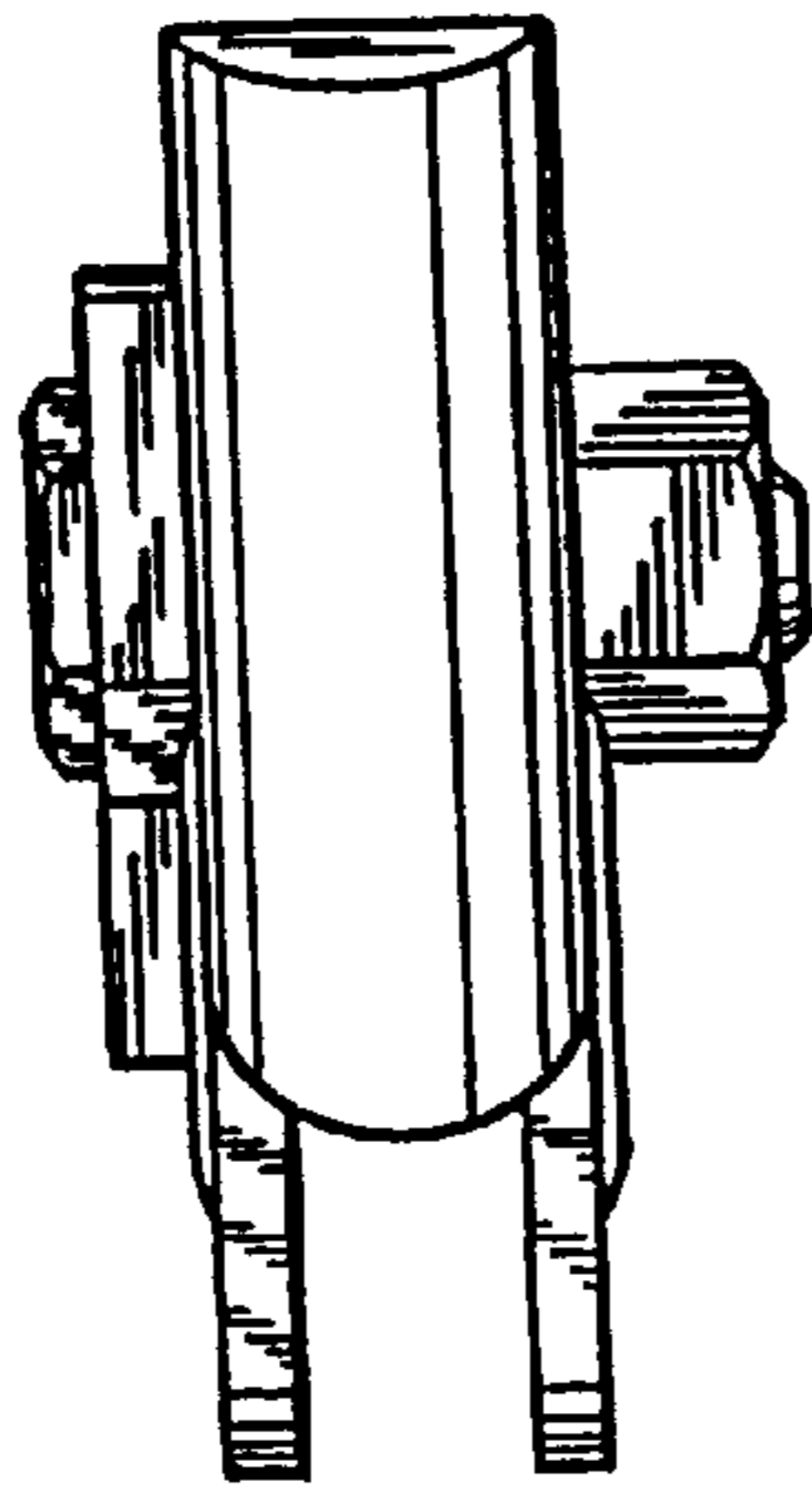


FIG. 5

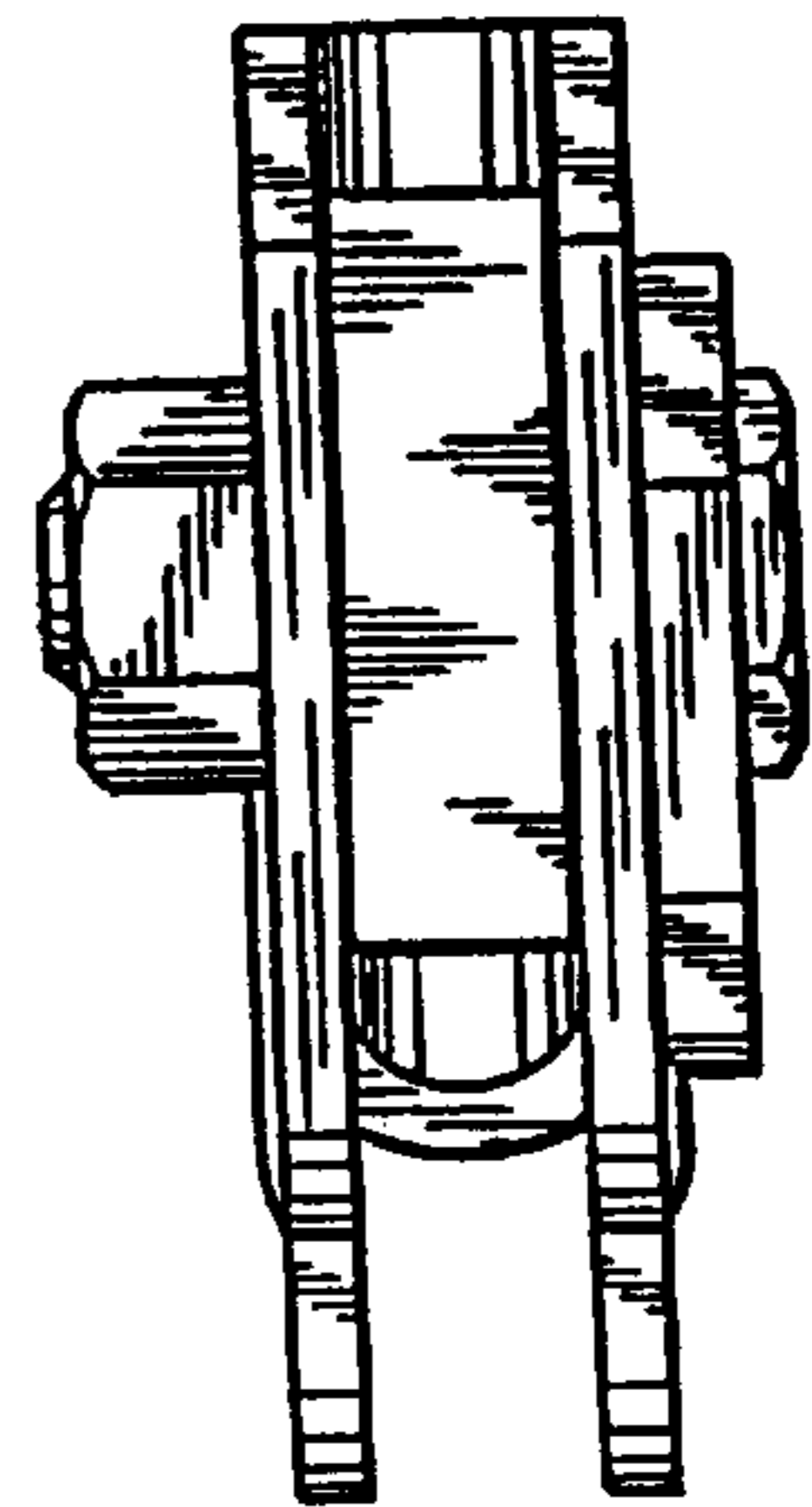


FIG. 6

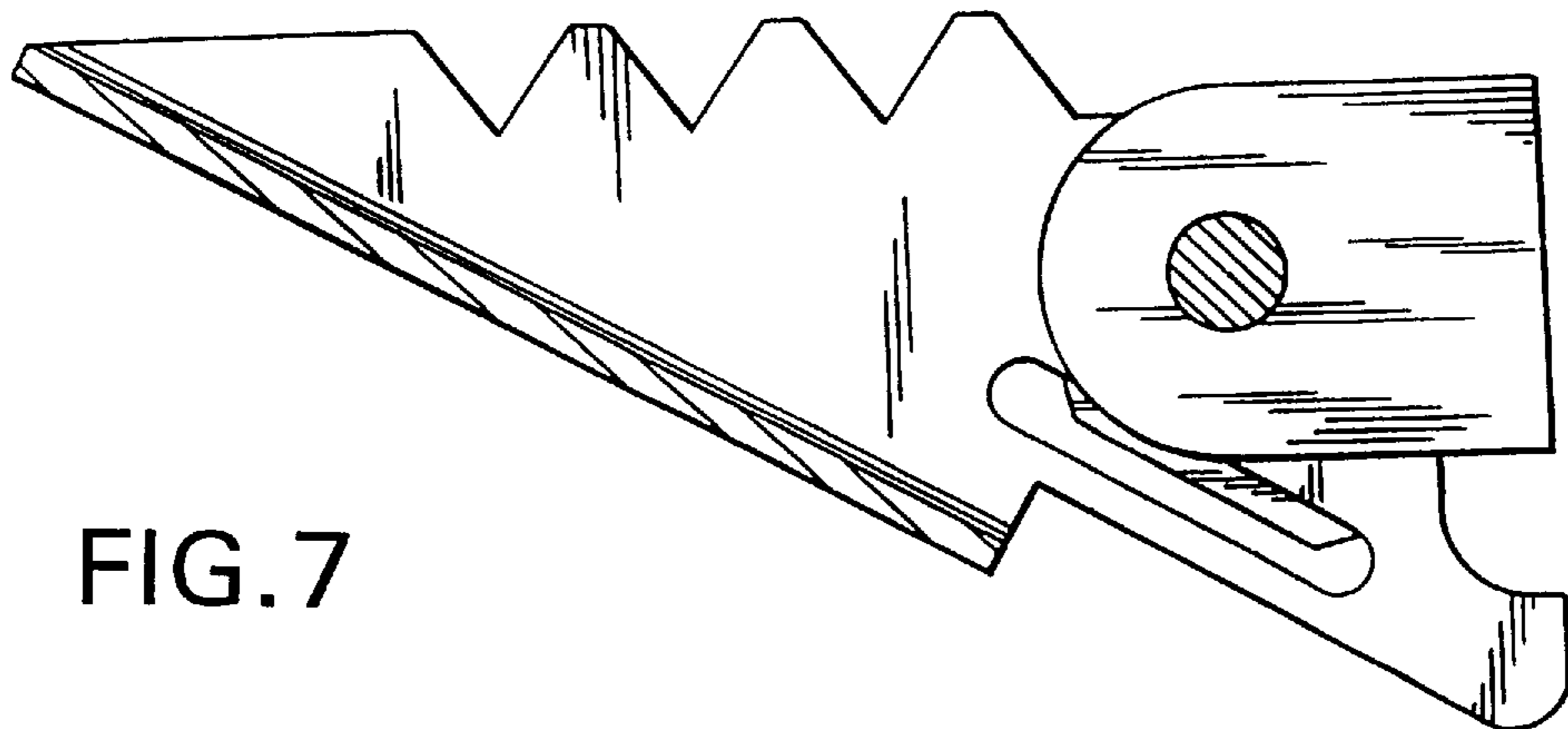


FIG. 7

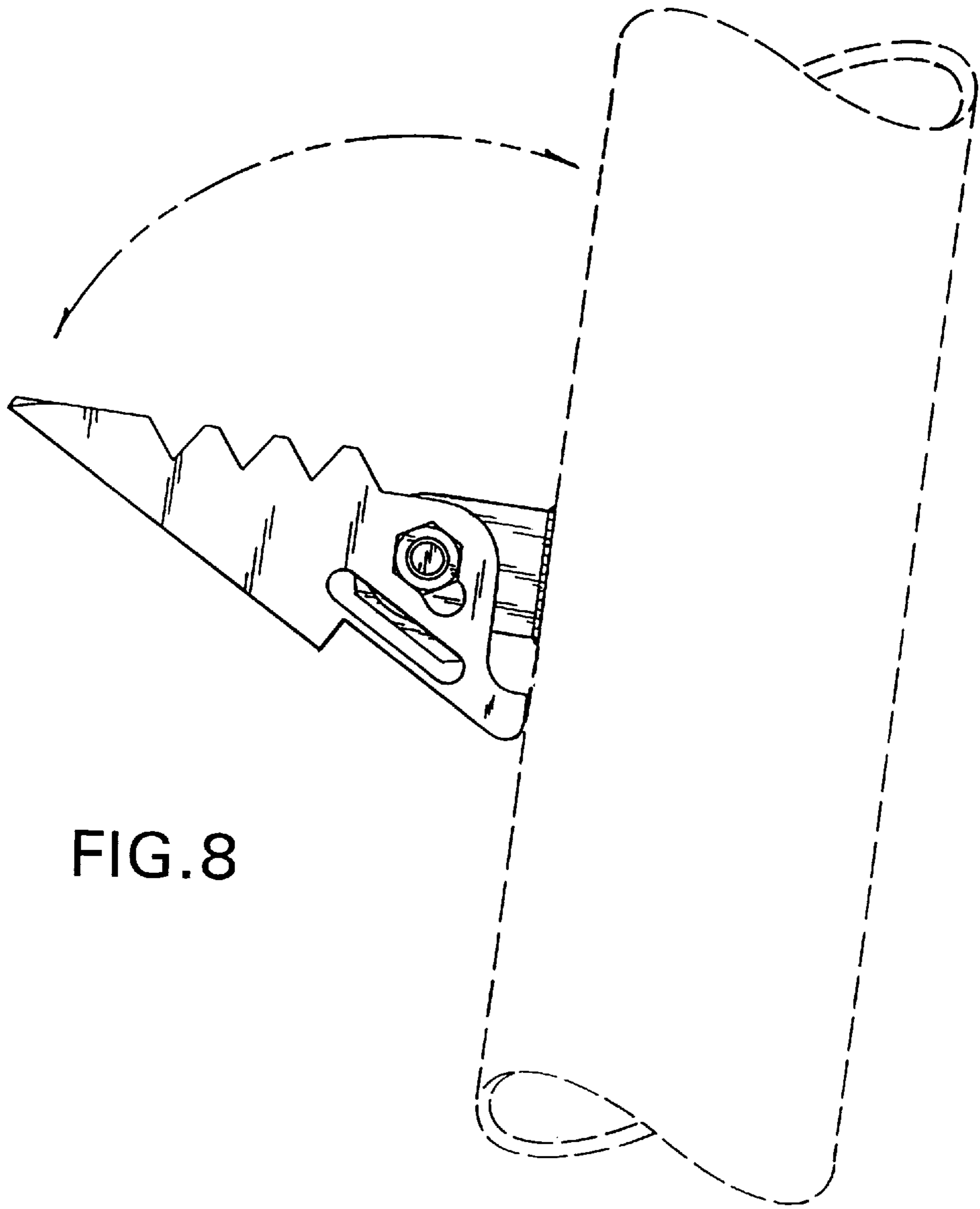


FIG. 8

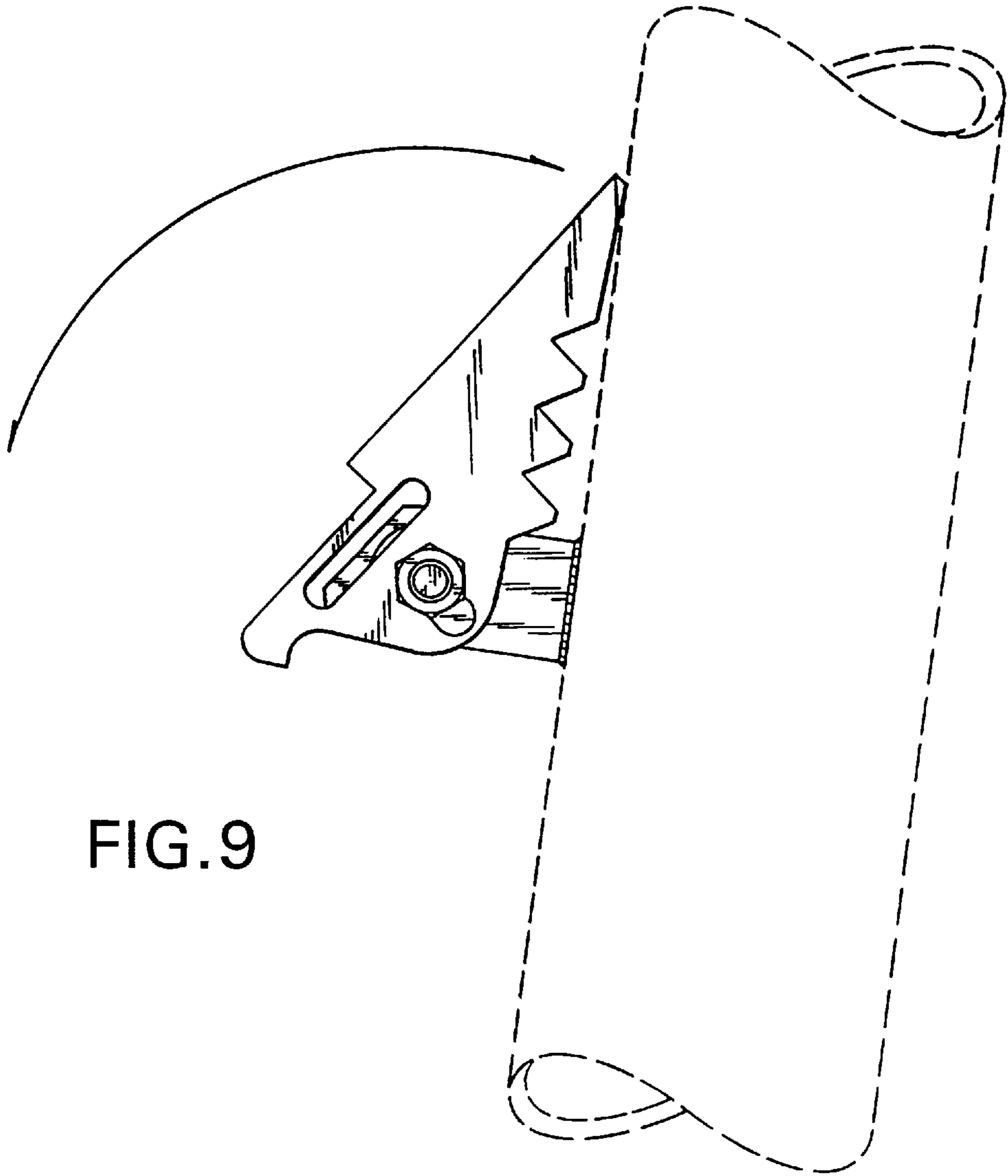


FIG.9