



US00D406905S

United States Patent [19]
Librach

[11] **Patent Number: Des. 406,905**

[45] **Date of Patent: **Mar. 16, 1999**

[54] **CONVERTIBLE SAW HORSE**

4,756,385 7/1988 Deitz et al. 182/153

[75] Inventor: **Jerry S. Librach**, St. Louis, Mo.

Primary Examiner—Doris Clark

[73] Assignee: **Worldwide Manufacturing, Inc.**, St. Louis, Mo.

Attorney, Agent, or Firm—Armstrong Teasdale Schlafy & Davis

[**] Term: **14 Years**

[57] **CLAIM**

[21] Appl. No.: **84,187**

I claim the ornamental design for a convertible saw horse, as shown and described.

[22] Filed: **Feb. 25, 1998**

DESCRIPTION

Related U.S. Application Data

[63] Continuation of Ser. No. 593,233, Jan. 29, 1996, abandoned.

FIG. 1 is a perspective view of a convertible saw horse showing my new design;

[51] **LOC (6) Cl.** **25-04**

FIG. 2 is a front elevational view thereof;

[52] **U.S. Cl.** **D25/67**

FIG. 3 is a rear elevational view thereof;

[58] **Field of Search** D25/67; 182/181, 182/153, 155

FIG. 4 is a right side elevational view thereof;

FIG. 5 is a left side elevational view thereof;

FIG. 6 is a top plan view thereof; and,

FIG. 7 is a bottom plan view thereof.

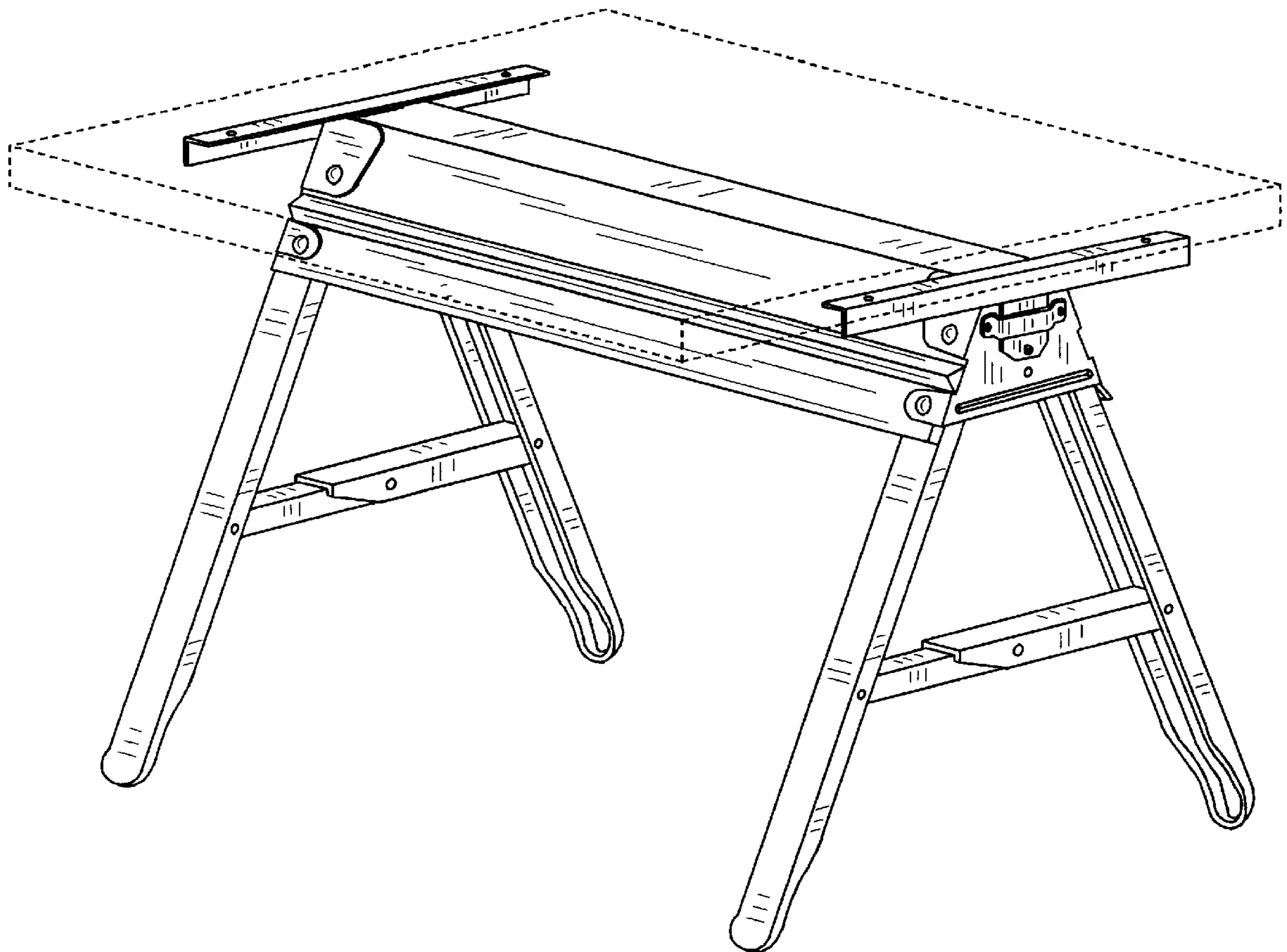
The broken lines illustrating a board is for illustrative purposes only and forms no part of the claimed design.

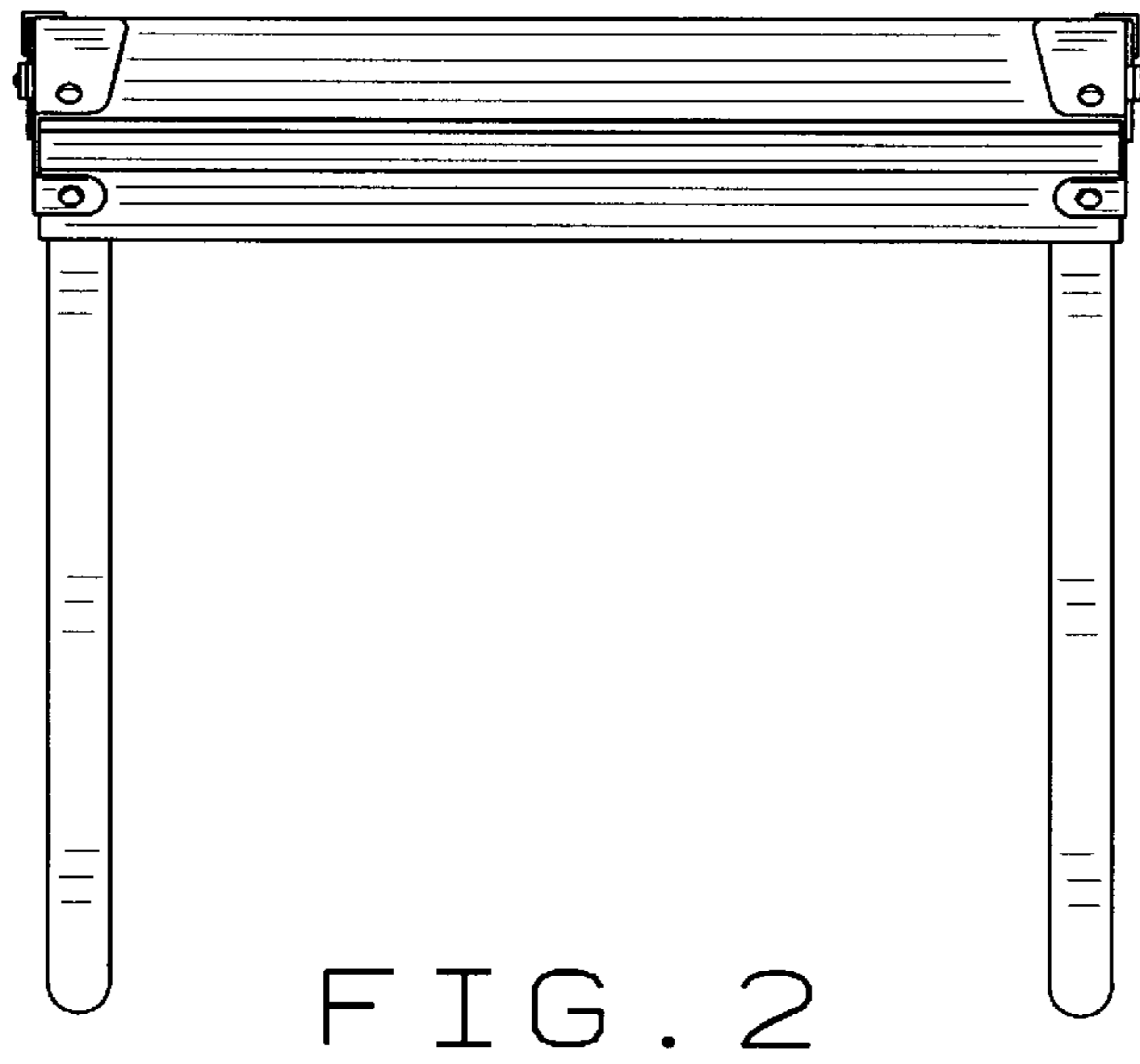
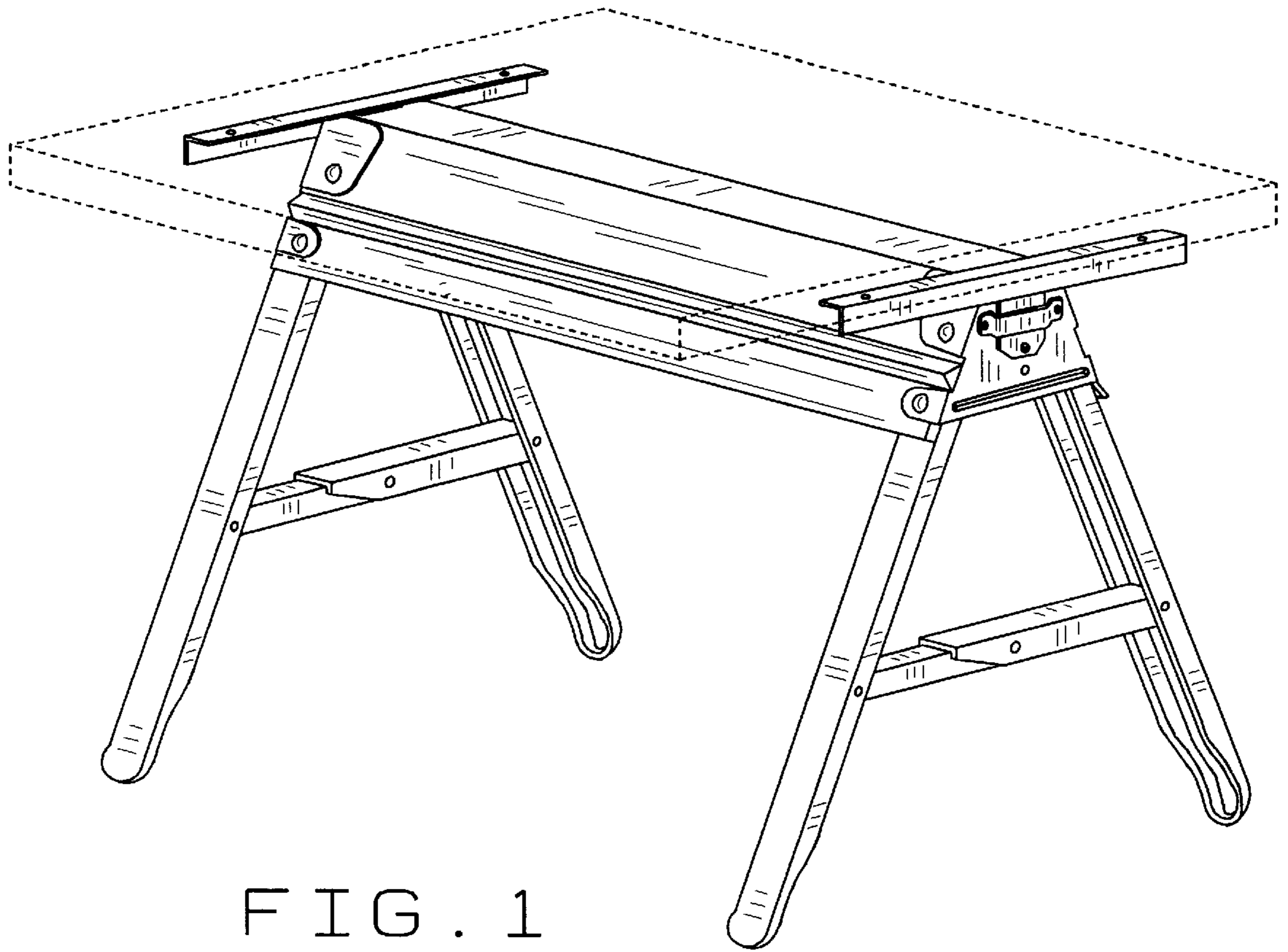
[56] **References Cited**

U.S. PATENT DOCUMENTS

D. 328,355 7/1992 Librach D25/67

1 Claim, 3 Drawing Sheets





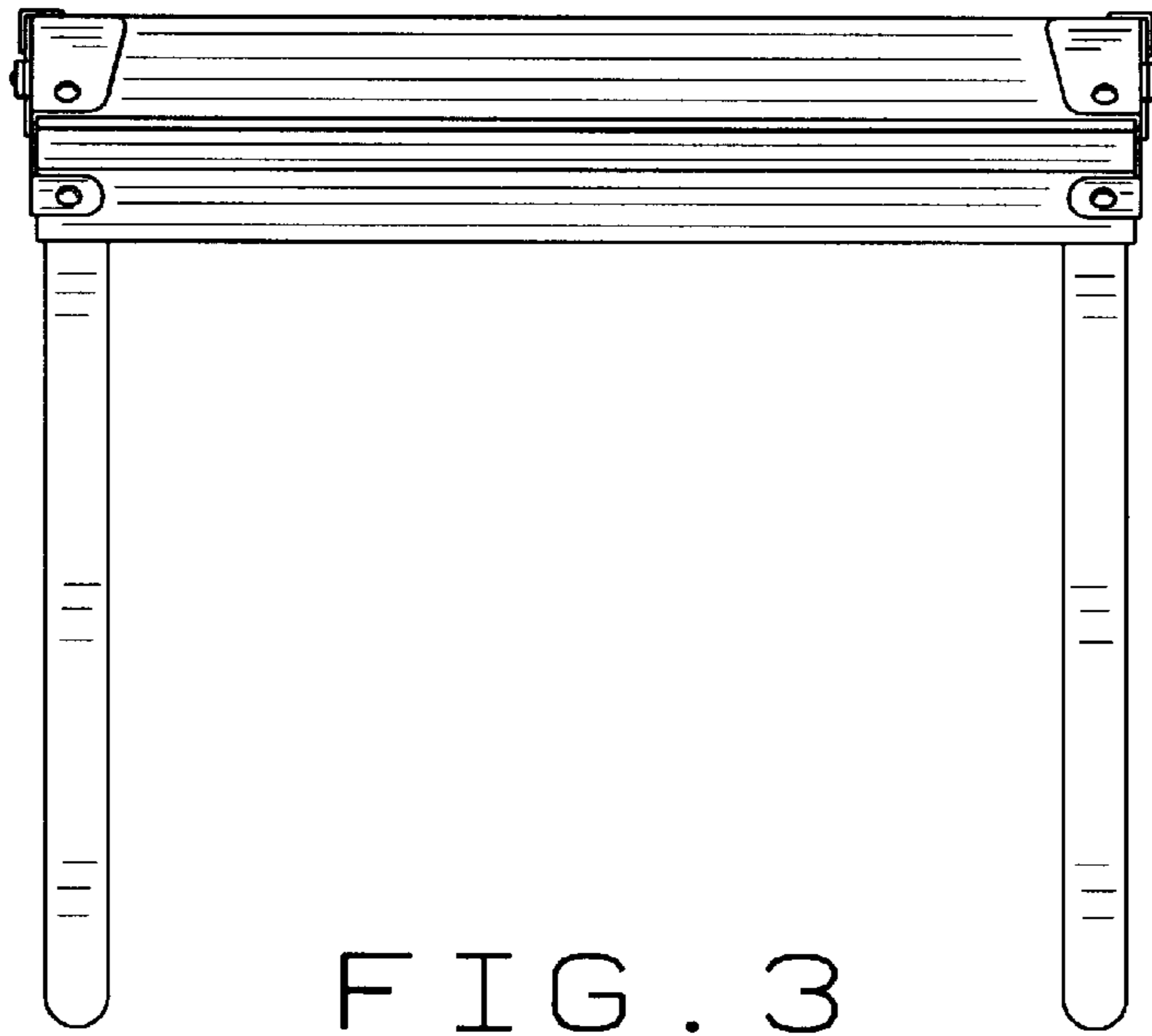


FIG. 3

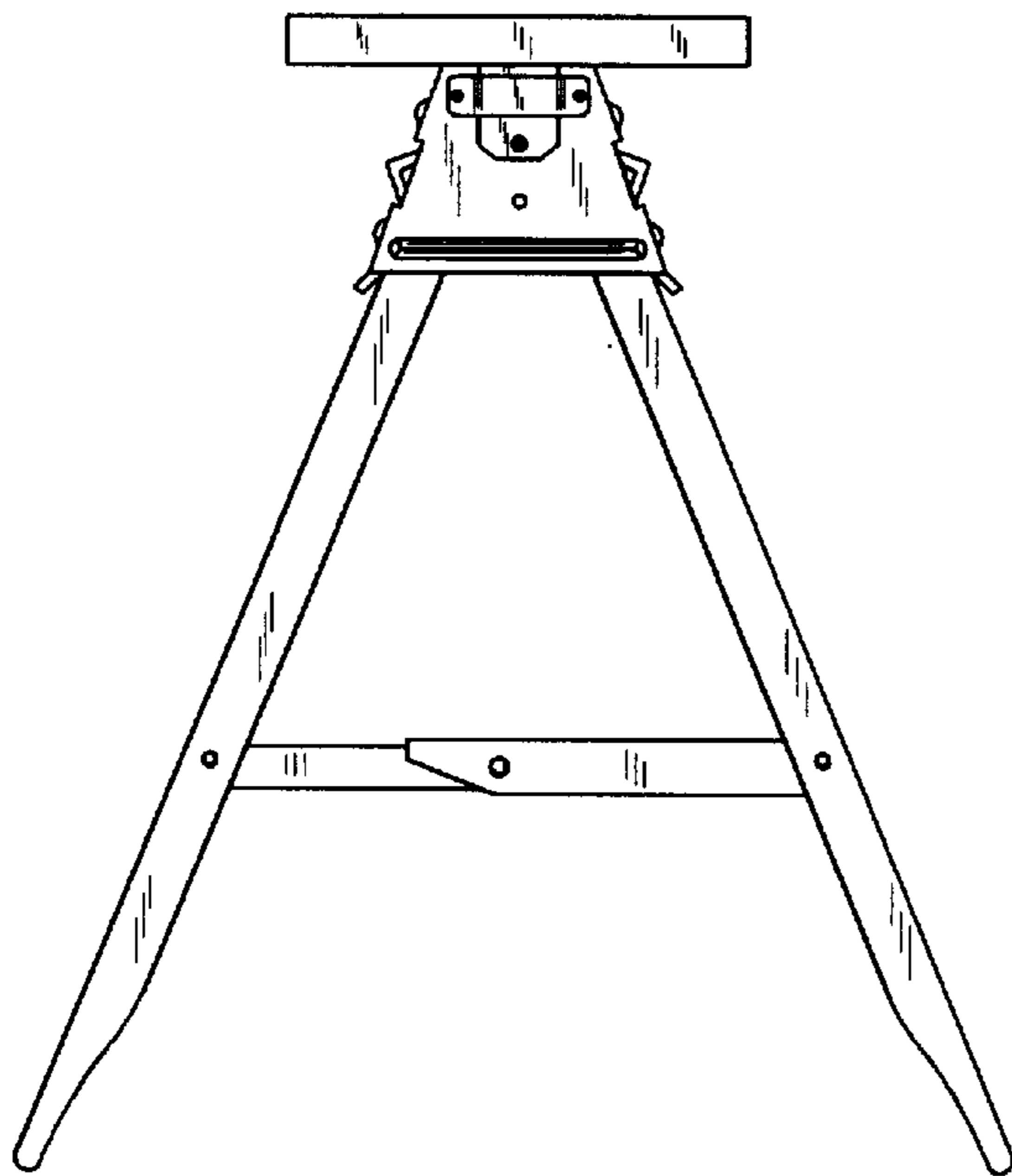


FIG. 4

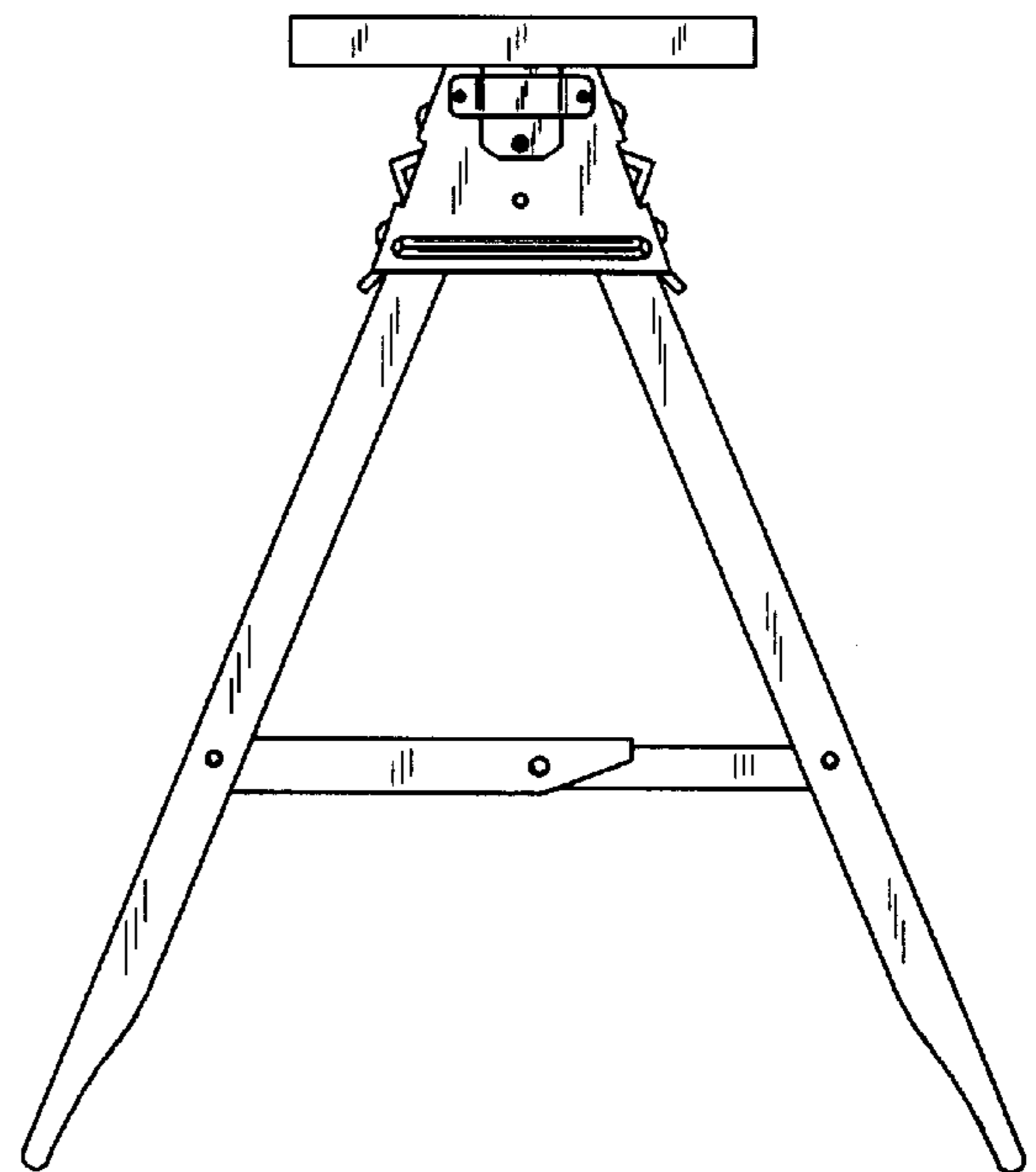


FIG. 5

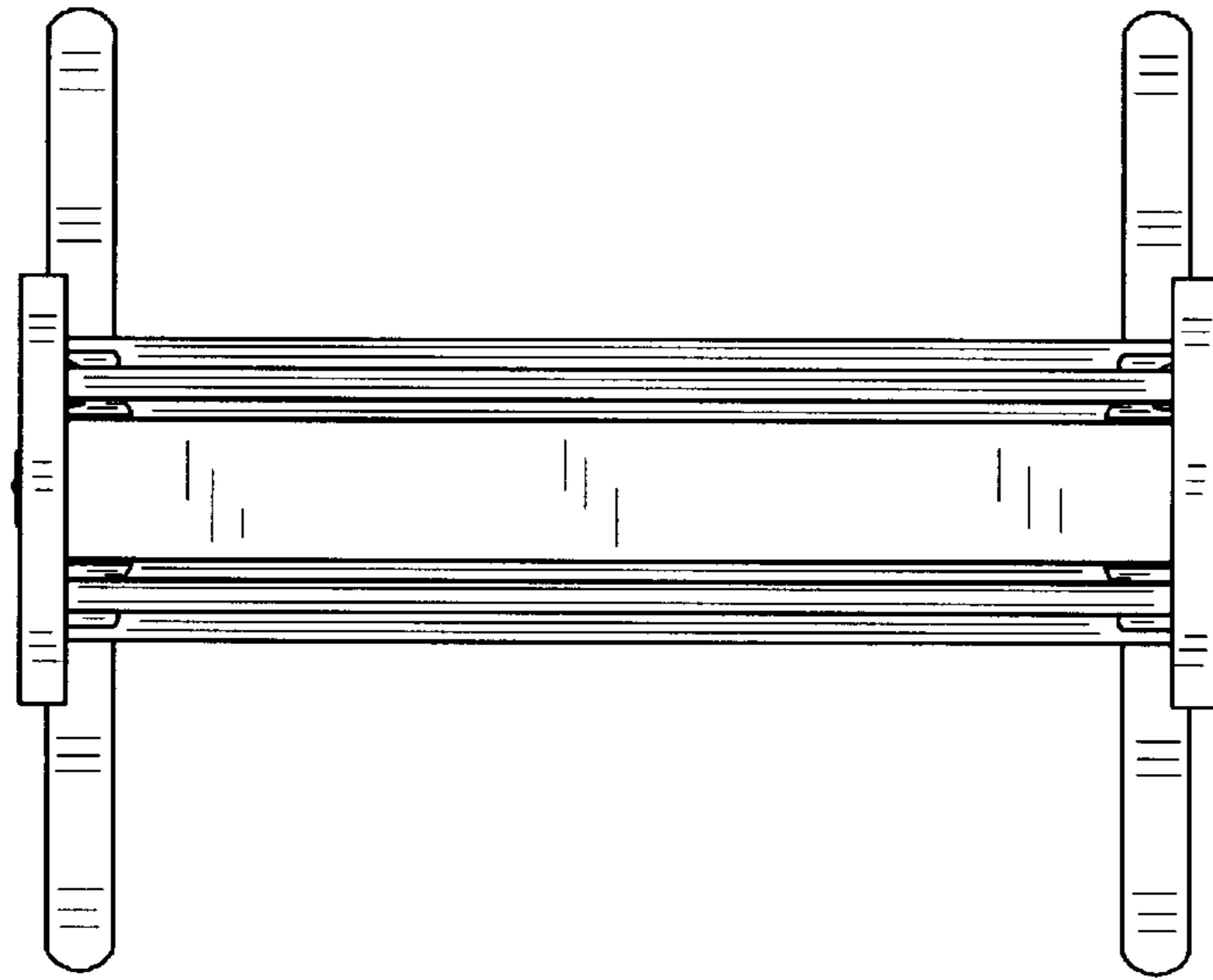


FIG. 6

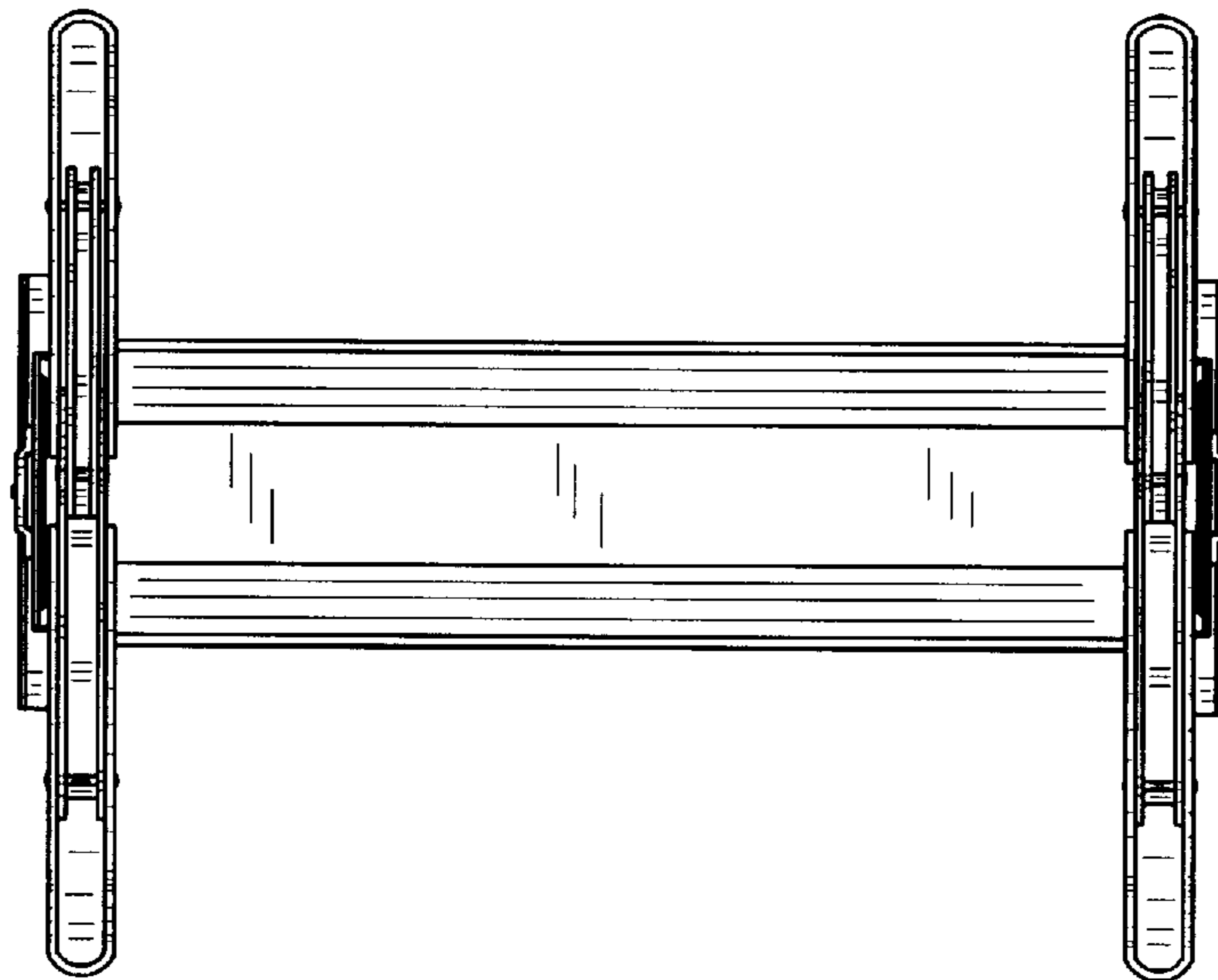


FIG. 7